



US00D618423S

(12) **United States Design Patent**
Gawrich

(10) **Patent No.:** **US D618,423 S**
(45) **Date of Patent:** **** Jun. 22, 2010**

(54) **LIFT**
(76) **Inventor:** **James J Gawrich**, 5378 Concha Dr.,
Mira Loma, CA (US) 91752
(**) **Term:** **14 Years**
(21) **Appl. No.:** **29/344,037**
(22) **Filed:** **Sep. 22, 2009**

6,502,667 B1 1/2003 Mead
D472,029 S * 3/2003 Ji et al. D34/31
6,926,255 B1 * 8/2005 Rhodes 254/89 R
D576,375 S * 9/2008 Carnevali D34/28

* cited by examiner

Primary Examiner—Cynthia E Ramirez
(74) *Attorney, Agent, or Firm*—Kirk A. Buhler; Buhler &
Associates

Related U.S. Application Data

(63) Continuation of application No. 12/459,609, filed on
Jul. 6, 2009, now abandoned.

(51) **LOC (9) Cl.** **12-05**
(52) **U.S. Cl.** **D34/31; D34/28**
(58) **Field of Classification Search** D34/28,
D34/31; 254/8 R, 88, 11, 84, 93 H
See application file for complete search history.

(57) **CLAIM**

The ornamental design for a lift, as shown and described.

DESCRIPTION

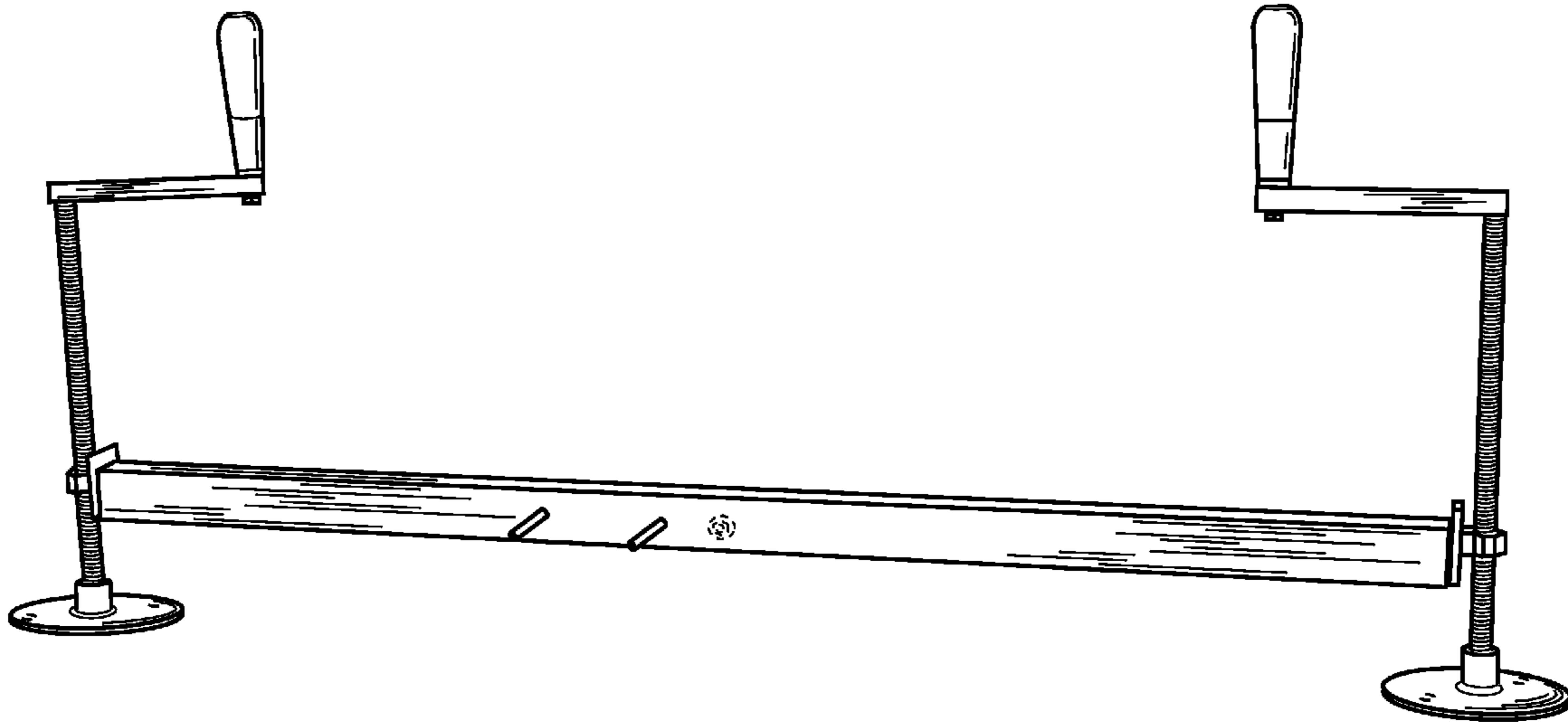
FIG. 1 is a front perspective view for a lift showing my new design;
FIG. 2 is a front view in a retracted lowered orientation thereof;
FIG. 3 is a back view in an extended raised orientation thereof;
FIG. 4 is a top view thereof;
FIG. 5 is a bottom view thereof;
FIG. 6 is a right view with in a lowered orientation thereof;
FIG. 7 is a left view in a raised orientation thereof;
FIG. 8 is a top perspective view shown in an environment of use; and,
FIG. 9 is a top perspective view shown in an environment of use.
The broken lines in FIGS. 1 to 9 depict environmental subject matter only and form no part of the claimed design.

(56) **References Cited**

U.S. PATENT DOCUMENTS

2,581,688 A * 1/1952 Miller 254/133 R
D252,808 S 9/1979 Prater
4,599,034 A 7/1986 Kennedy et al.
D286,935 S * 11/1986 Travis D34/31
5,087,019 A * 2/1992 Peabody et al. 254/100
D364,978 S * 12/1995 Smith D6/431
D368,568 S * 4/1996 Hartley D34/31
D375,603 S * 11/1996 Carver D34/28
D378,457 S * 3/1997 Page D34/28
D389,980 S * 1/1998 Friz D34/34
5,758,586 A 6/1998 Kieser et al.
D430,378 S * 8/2000 Worsoe D34/38
6,464,431 B1 * 10/2002 McNulty 405/229

1 Claim, 5 Drawing Sheets



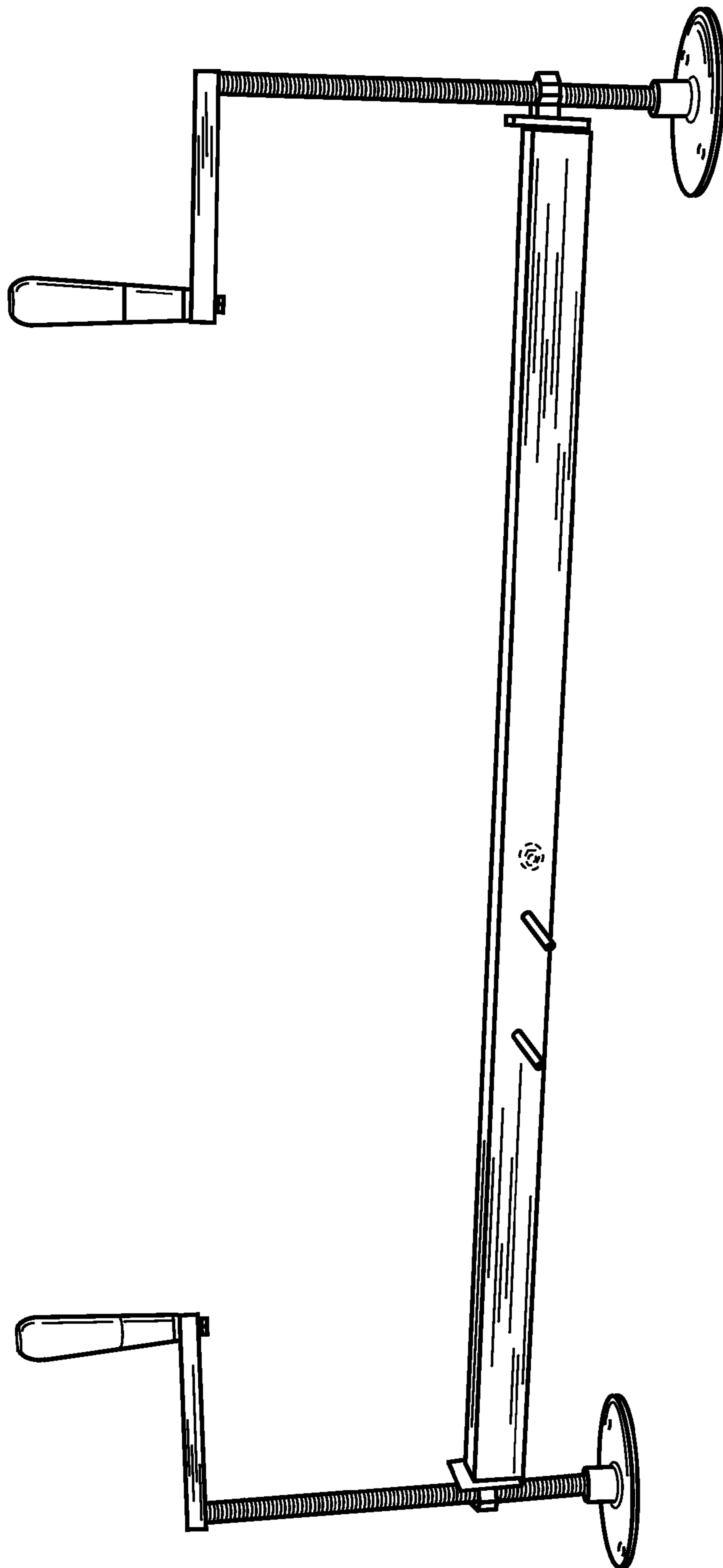


FIG. 1

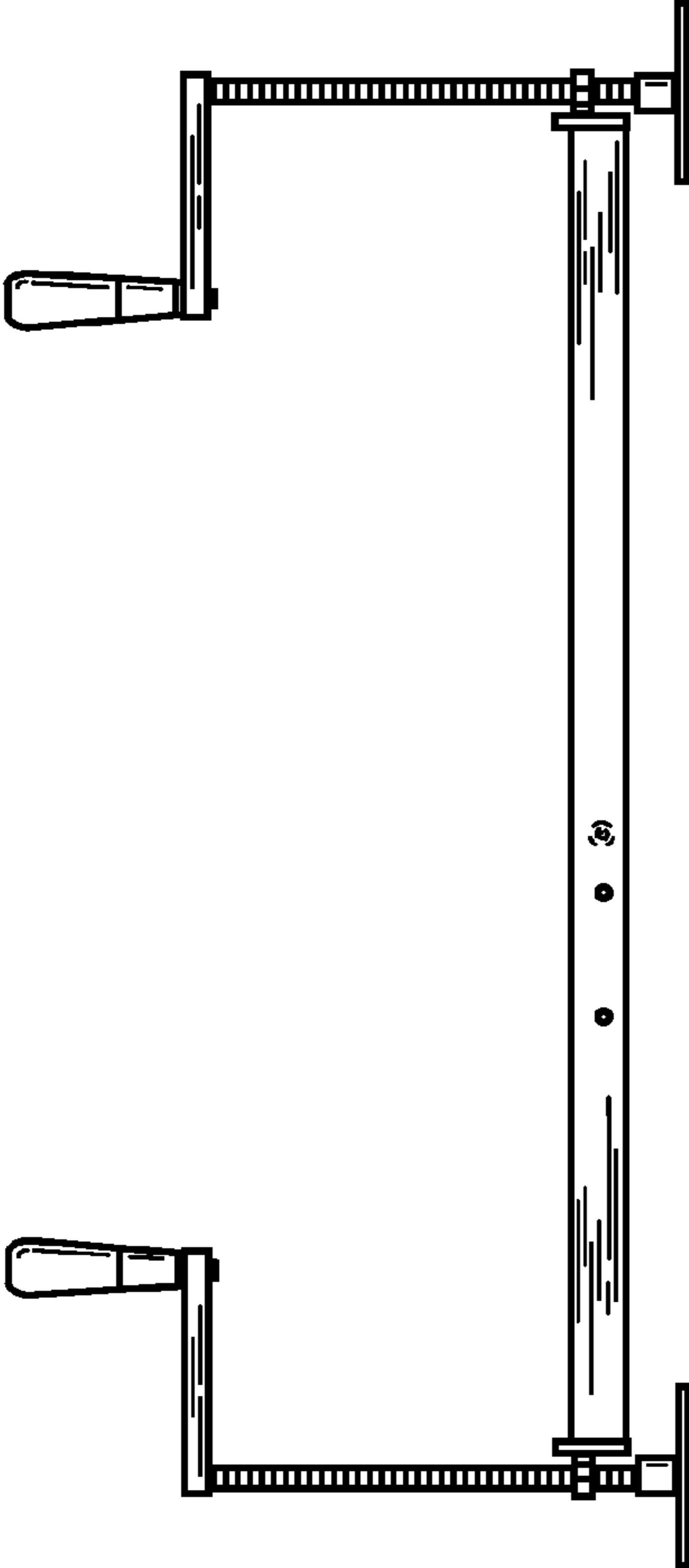


FIG. 2

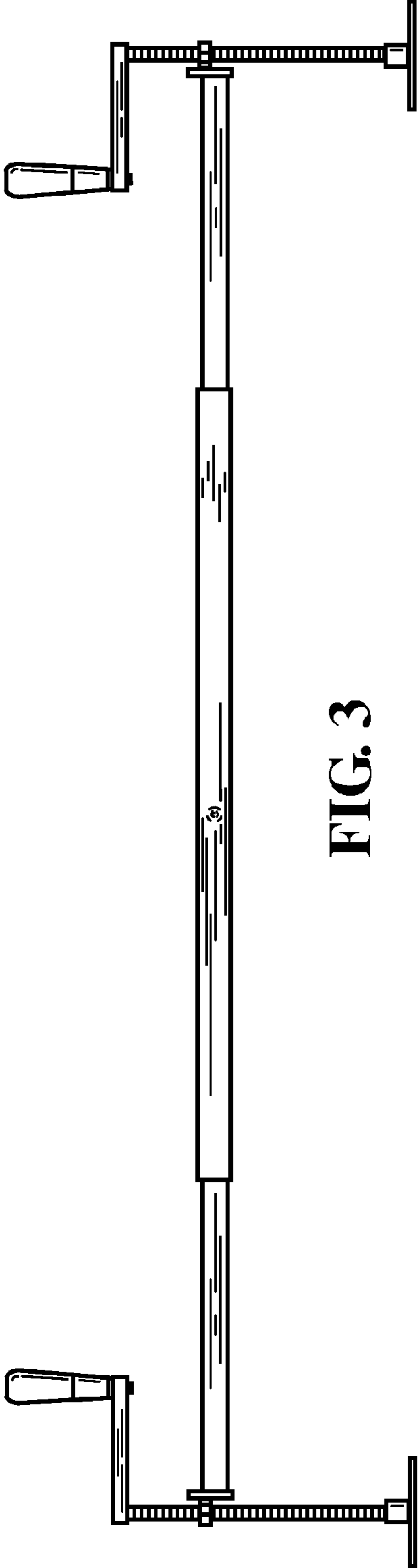


FIG. 3

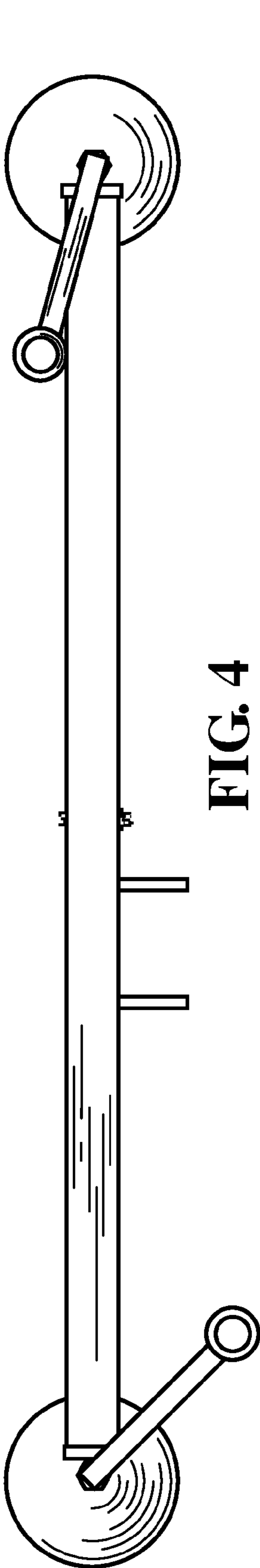


FIG. 4

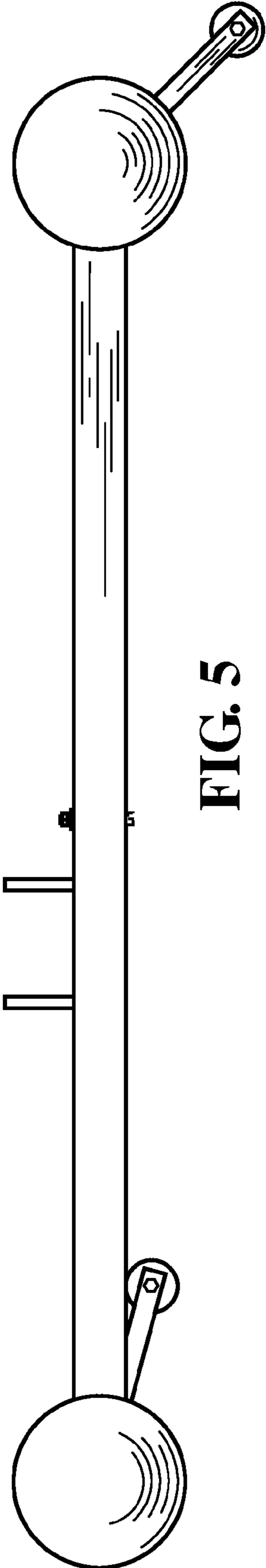


FIG. 5

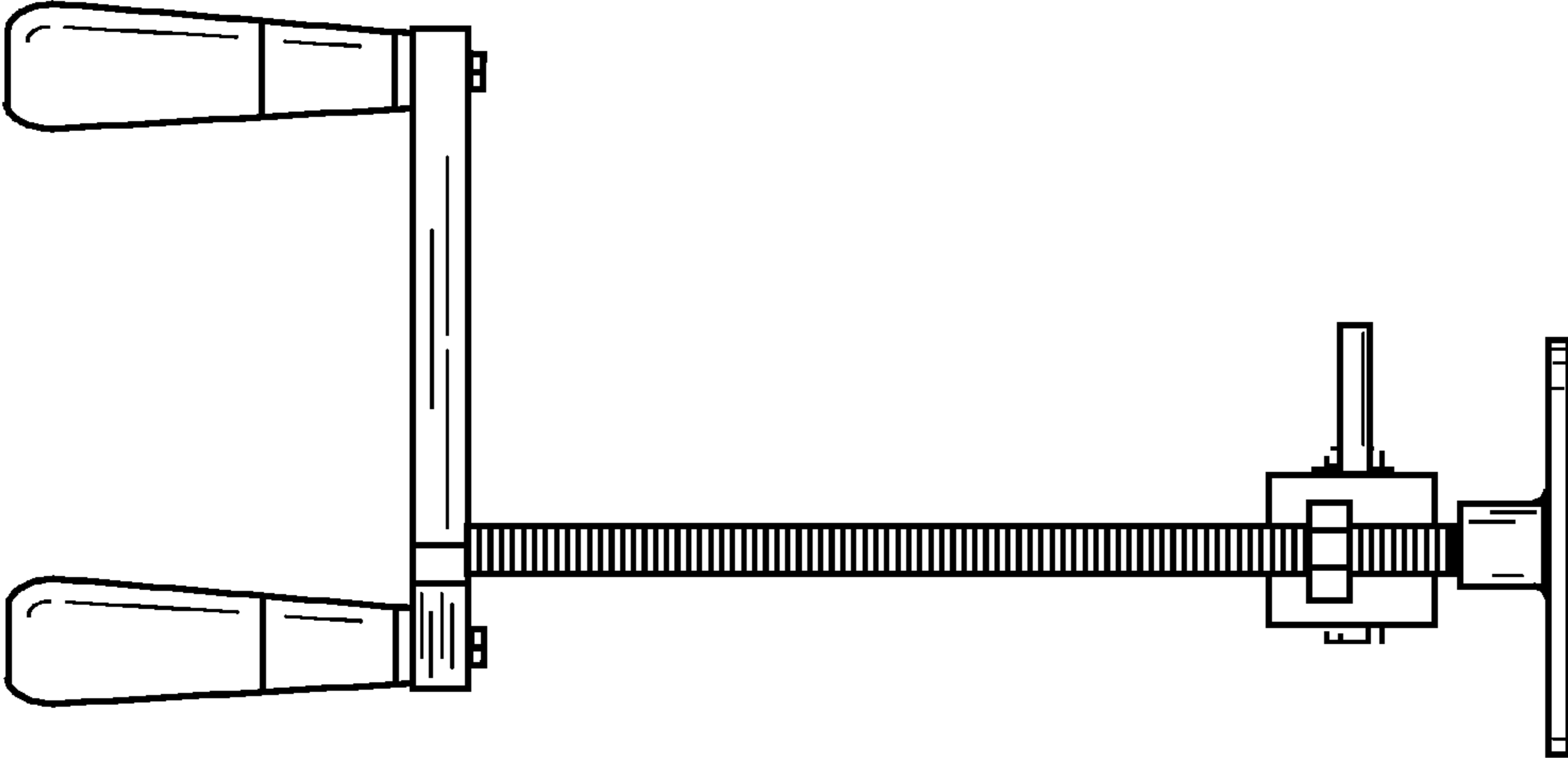


FIG. 6

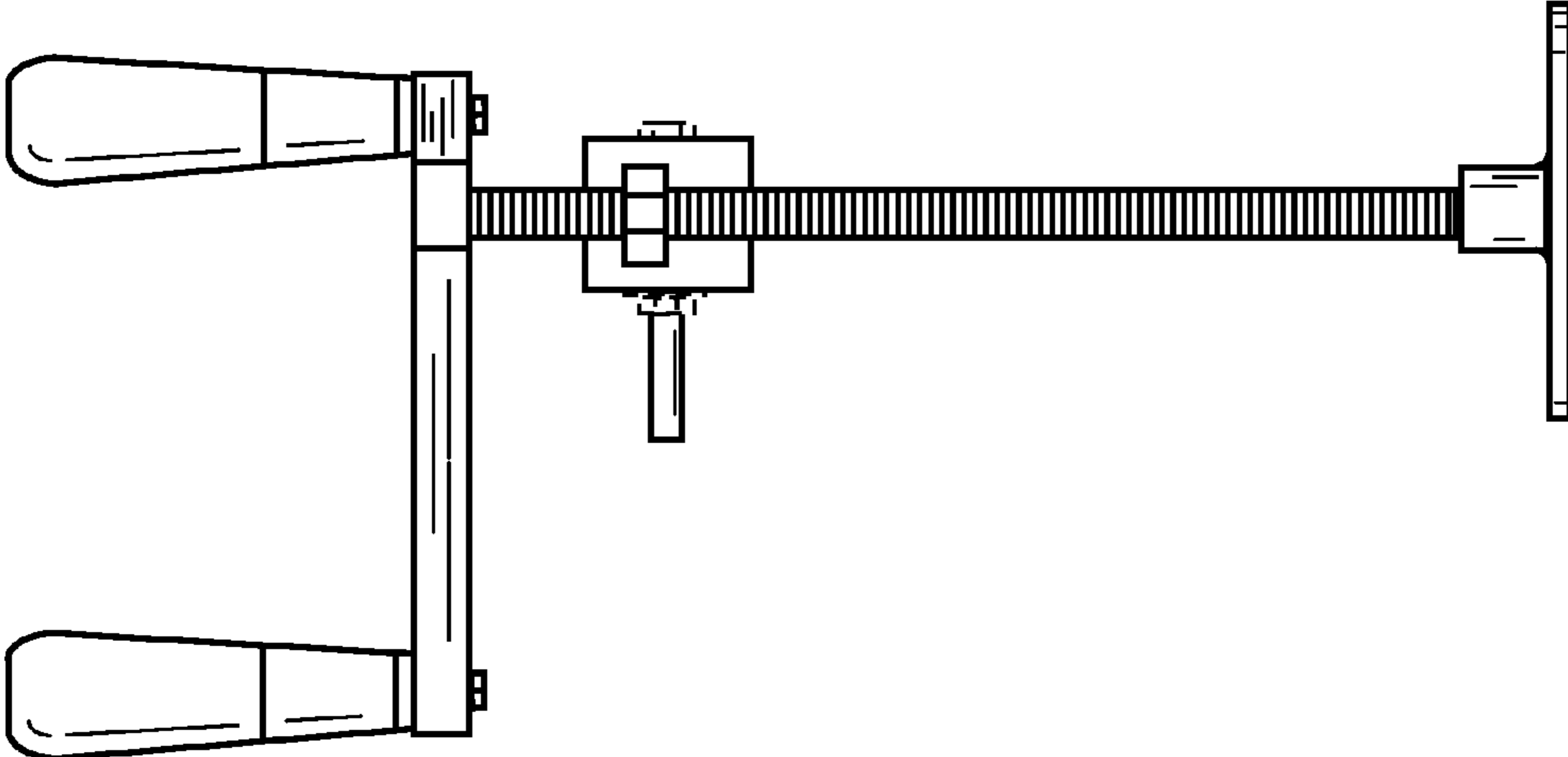


FIG. 7

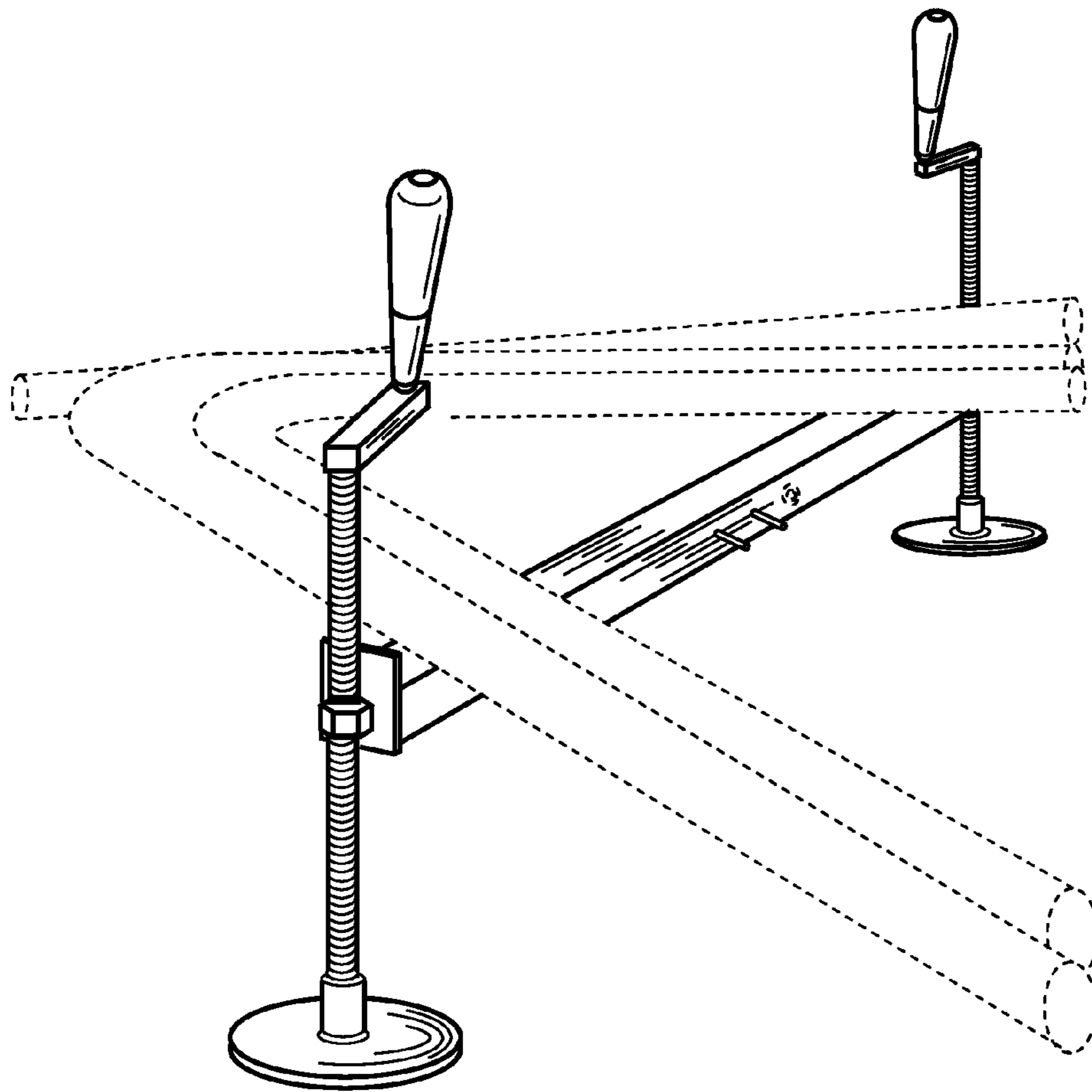


FIG. 8

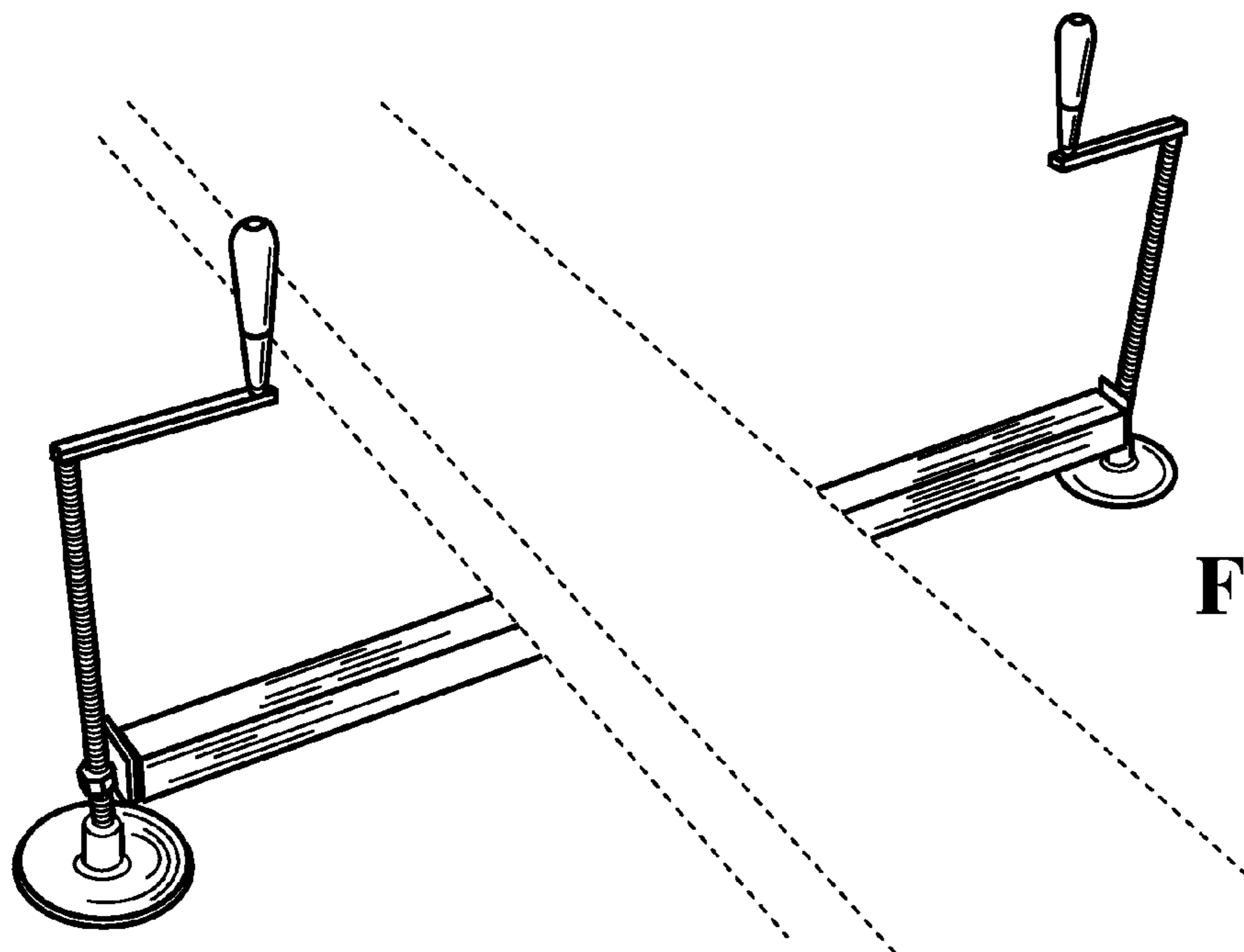


FIG. 9