



US00D618422S

(12) **United States Design Patent**
Catron et al.

(10) **Patent No.:** **US D618,422 S**
(45) **Date of Patent:** **** Jun. 22, 2010**

(54) **DECK FOR A PLATFORM TRUCK**

(75) Inventors: **Mark Allen Catron**, Superior, CO (US);
Robert J. Tokash, Stephens City, VA (US)

(73) Assignee: **Rubbermaid Commercial Products, LLC**, Winchester, VA (US)

(**) Term: **14 Years**

(21) Appl. No.: **29/340,759**

(22) Filed: **Jul. 24, 2009**

(51) **LOC (9) Cl.** **12-02**

(52) **U.S. Cl.** **D34/27**

(58) **Field of Classification Search** D34/12-27;
280/30, 40, 47.18, 47.24, 47.26, 47.29, 47.27,
280/47.34, 651, 33.996, 33.991, 33.994
See application file for complete search history.

(56) **References Cited**

U.S. PATENT DOCUMENTS

D396,918 S * 8/1998 Golichowski et al. D34/12

(Continued)

Primary Examiner—Cynthia E Ramirez

(74) *Attorney, Agent, or Firm*—Dennis J. Williamson; Moore & Van Allen, PLLC

(57) **CLAIM**

The ornamental design for a deck for a platform truck, as shown and described.

DESCRIPTION

FIG. 1 is a perspective view showing an embodiment of our new design for a deck for a platform truck;

FIG. 2 is a left side view showing our new design shown in FIG. 1;

FIG. 3 is a right side view showing our new design shown in FIG. 1;

FIG. 4 is a top view showing our new design shown in FIG. 1;

FIG. 5 is a bottom view showing our new design shown in FIG. 1;

FIG. 6 is a front view showing our new design shown in FIG. 1;

FIG. 7 is a back view showing our new design shown in FIG. 1;

FIG. 8 is a perspective view showing a second embodiment of our new design for a deck for a platform truck;

FIG. 9 is a left side view showing our new design shown in FIG. 8;

FIG. 10 is a right side view showing our new design shown in FIG. 8;

FIG. 11 is a top view showing our new design shown in FIG. 8;

FIG. 12 is a bottom view showing our new design shown in FIG. 8;

FIG. 13 is a front view showing our new design shown in FIG. 8;

FIG. 14 is a back view showing our new design shown in FIG. 8;

FIG. 15 is a perspective view showing a third embodiment of our new design for a deck for a platform truck;

FIG. 16 is a left side view showing our new design shown in FIG. 15;

FIG. 17 is a right side view showing our new design shown in FIG. 15;

FIG. 18 is a top view showing our new design shown in FIG. 15;

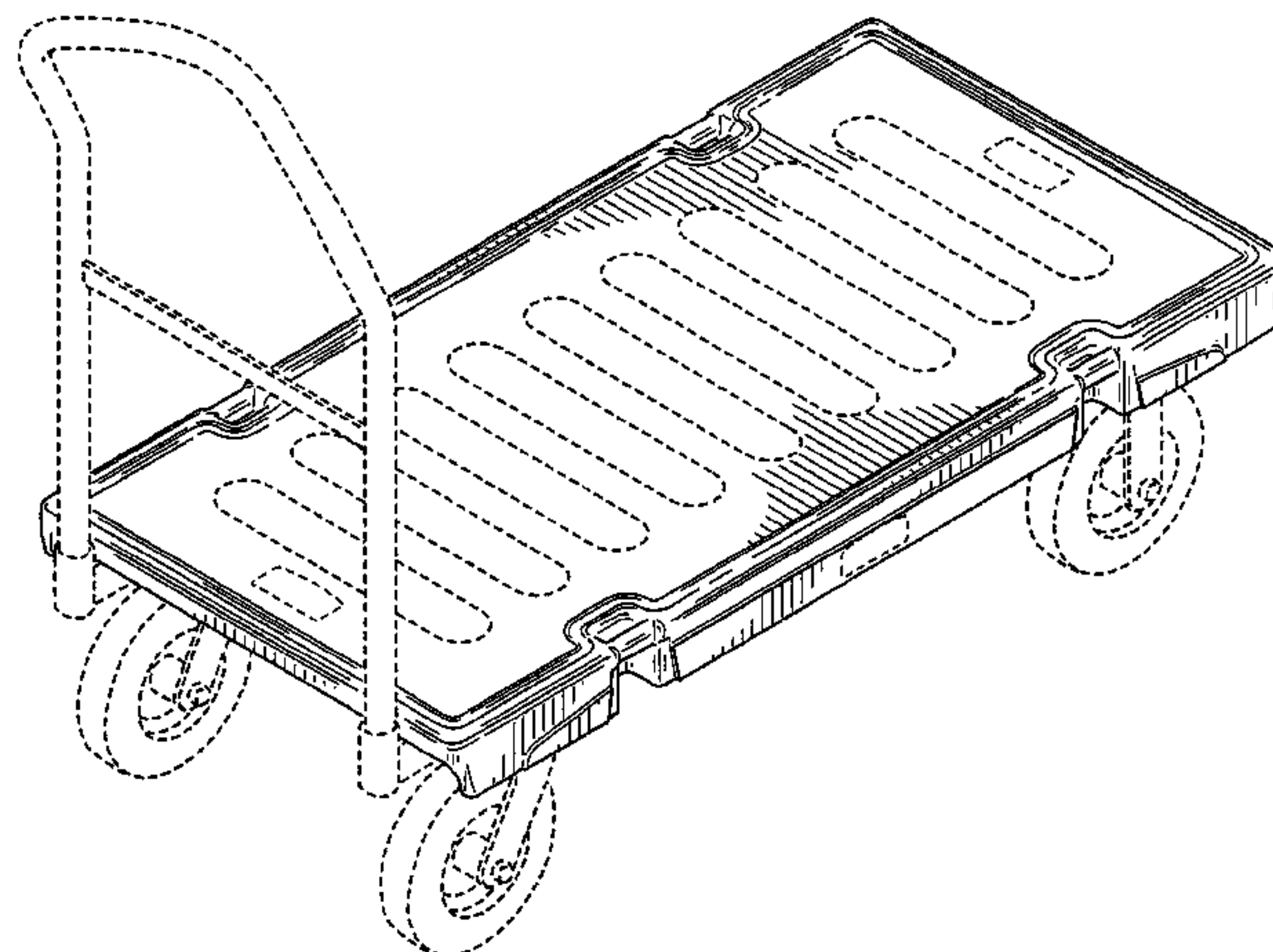
FIG. 19 is a bottom view showing our new design shown in FIG. 15;

FIG. 20 is a front view showing our new design shown in FIG. 15; and,

FIG. 21 is a back view showing our new design shown in FIG. 15.

The portions shown in broken lines are not part of the claimed design but show the environment in which the design is associated.

1 Claim, 18 Drawing Sheets



US D618,422 S

Page 2

U.S. PATENT DOCUMENTS

D404,871	S	*	1/1999	Golichowski et al.	D34/17							
5,911,424	A	*	6/1999	Rovinsky	280/79.11							
6,024,376	A	*	2/2000	Golichowski et al.	280/655.1							
D521,709	S	*	5/2006	Johnson et al.	D34/24							
							D523,201	S	*	6/2006	Widmer	D34/12
							D570,068	S	*	5/2008	Dukes	D34/17
							7,513,511	B2	*	4/2009	Chaseateau	280/47.27
							2003/0205873	A1	*	11/2003	Orozco	280/33.991

* cited by examiner

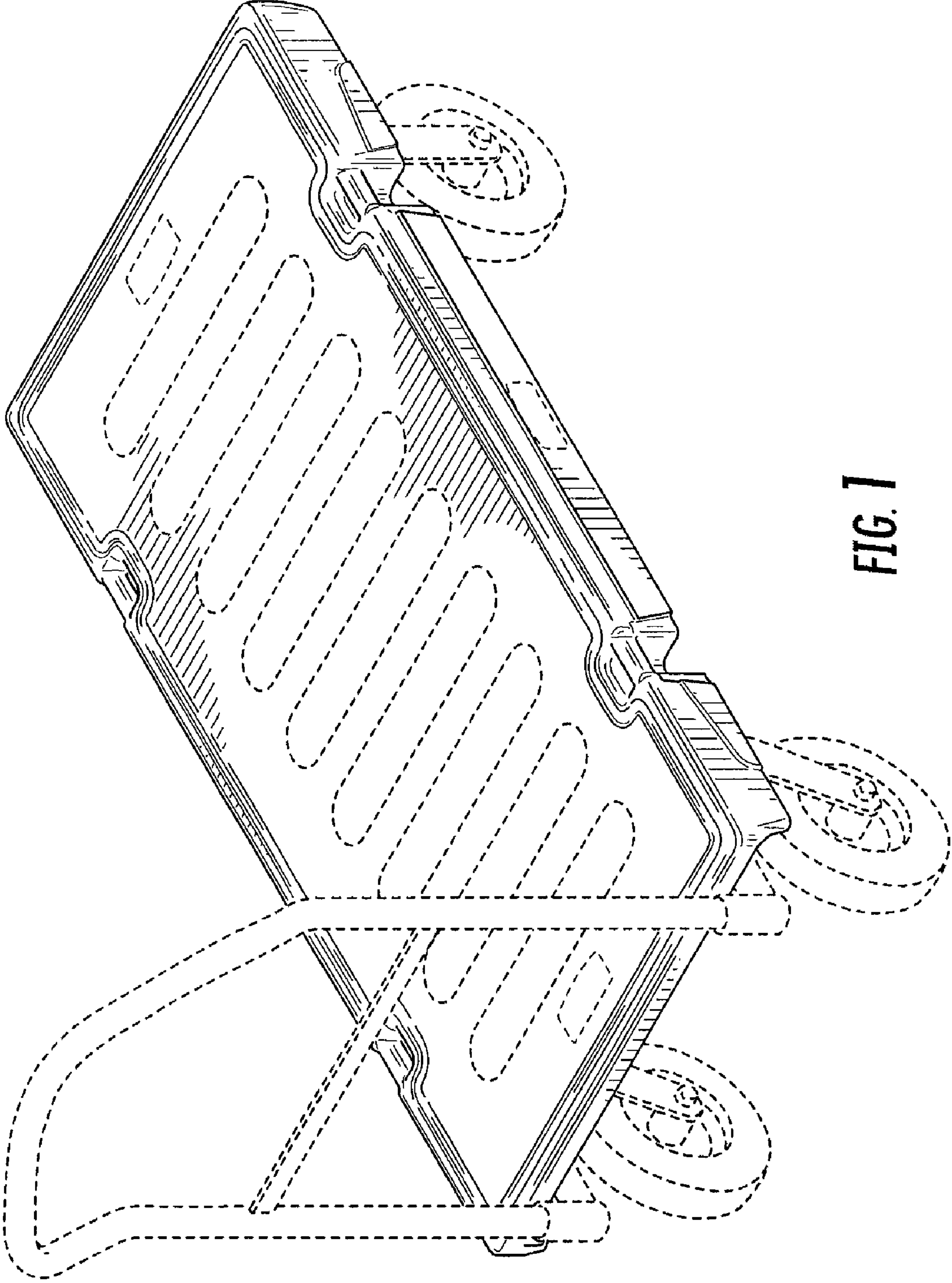


FIG. 1

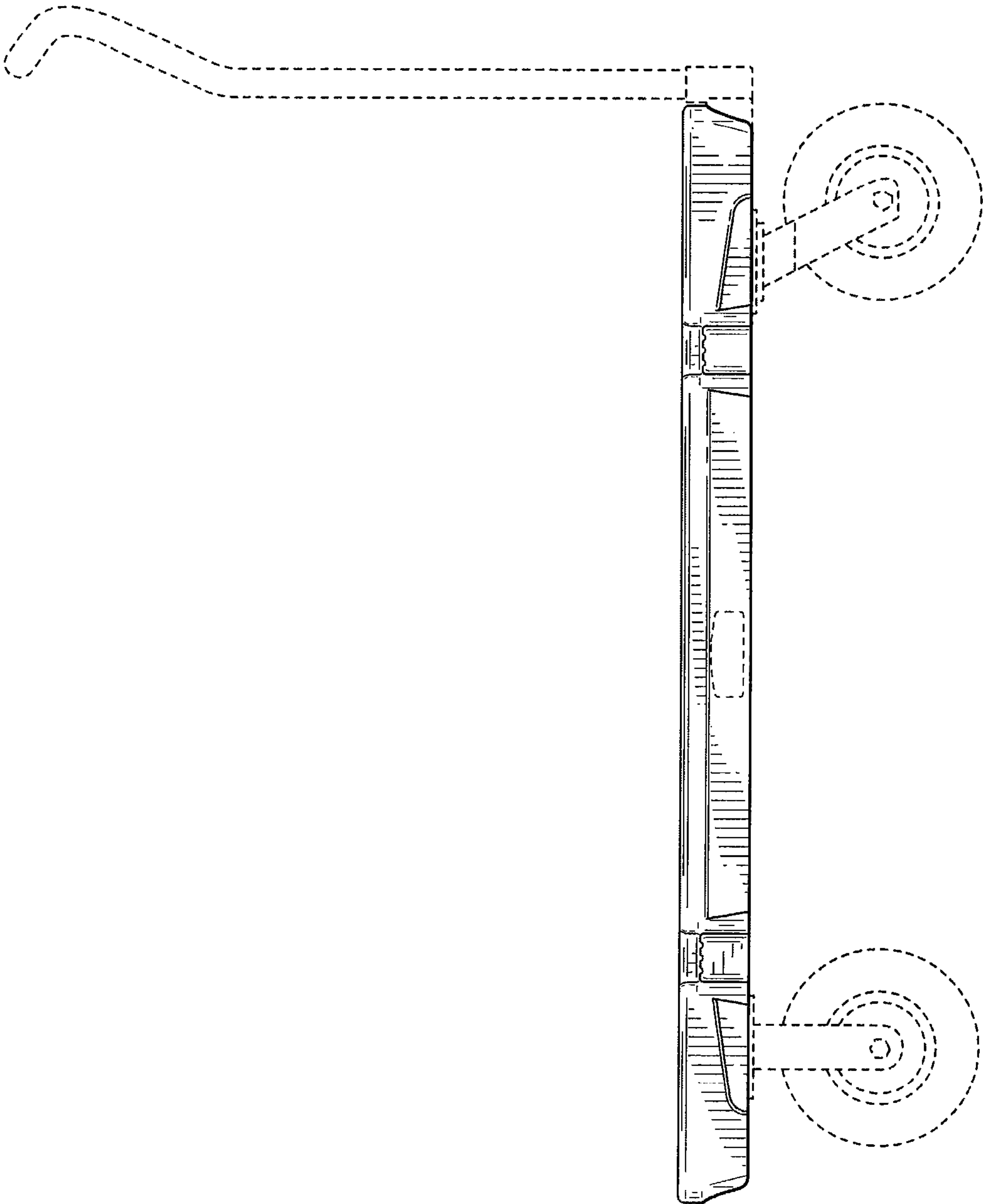


FIG. 2

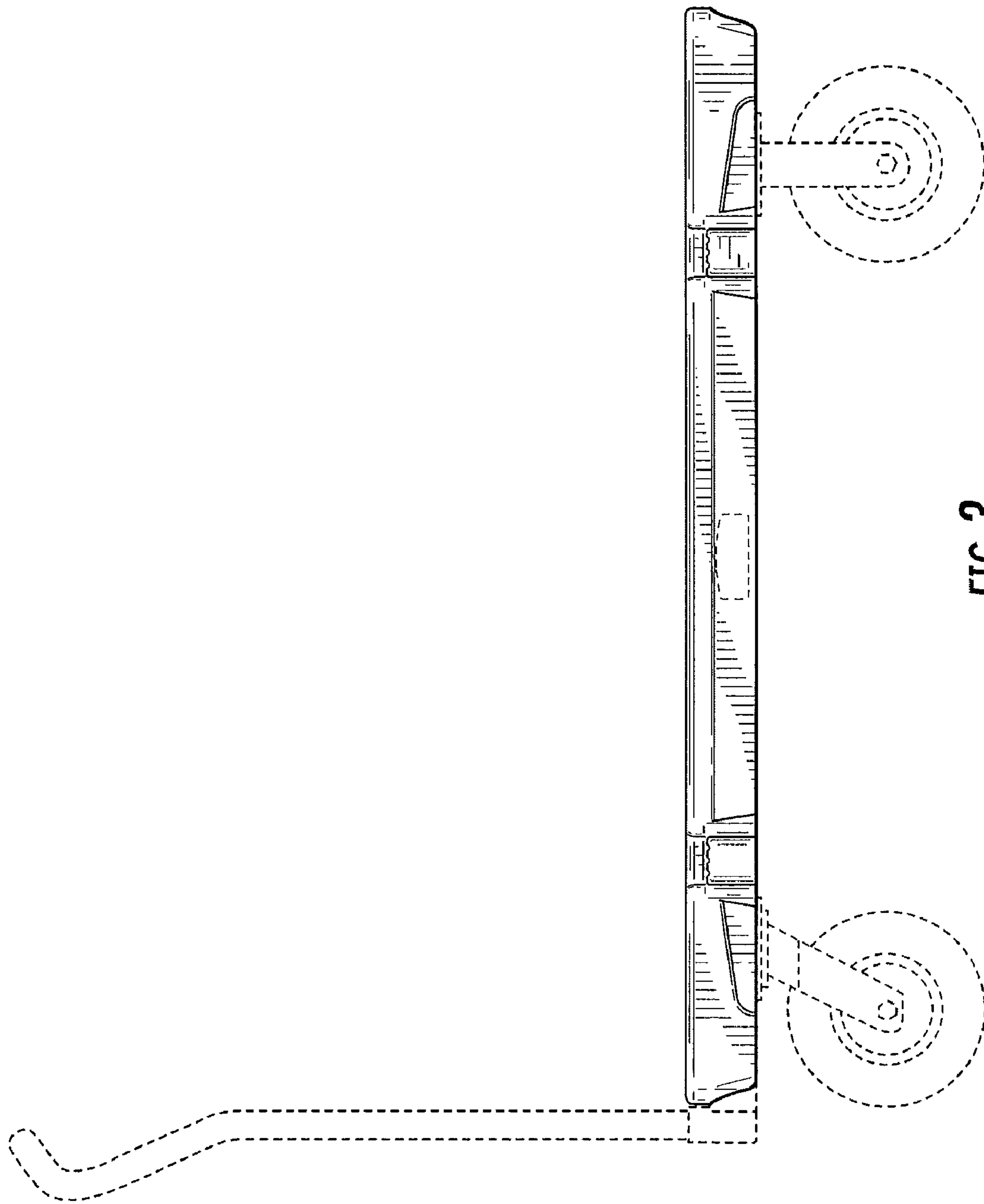


FIG. 3

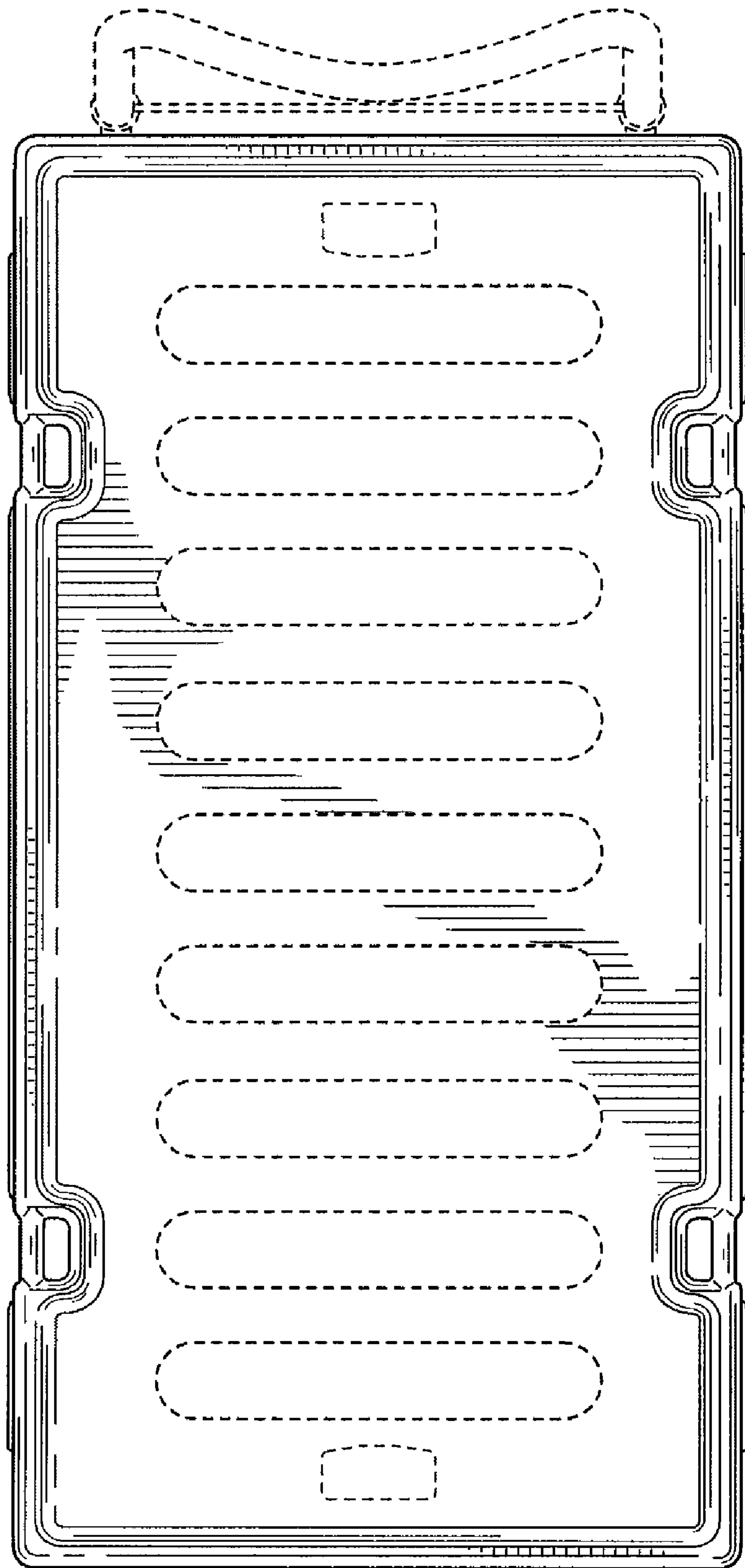


FIG. 4

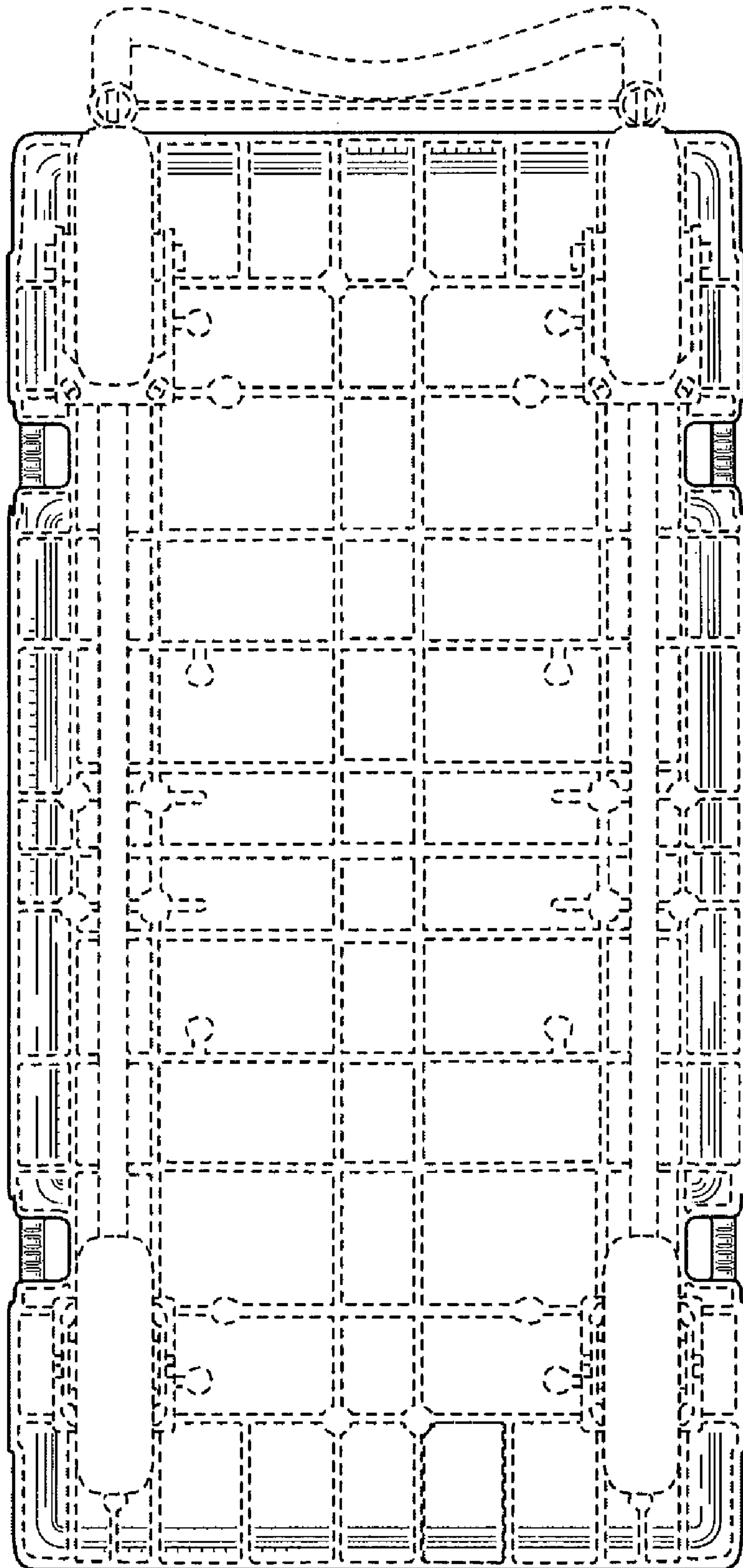


FIG. 5

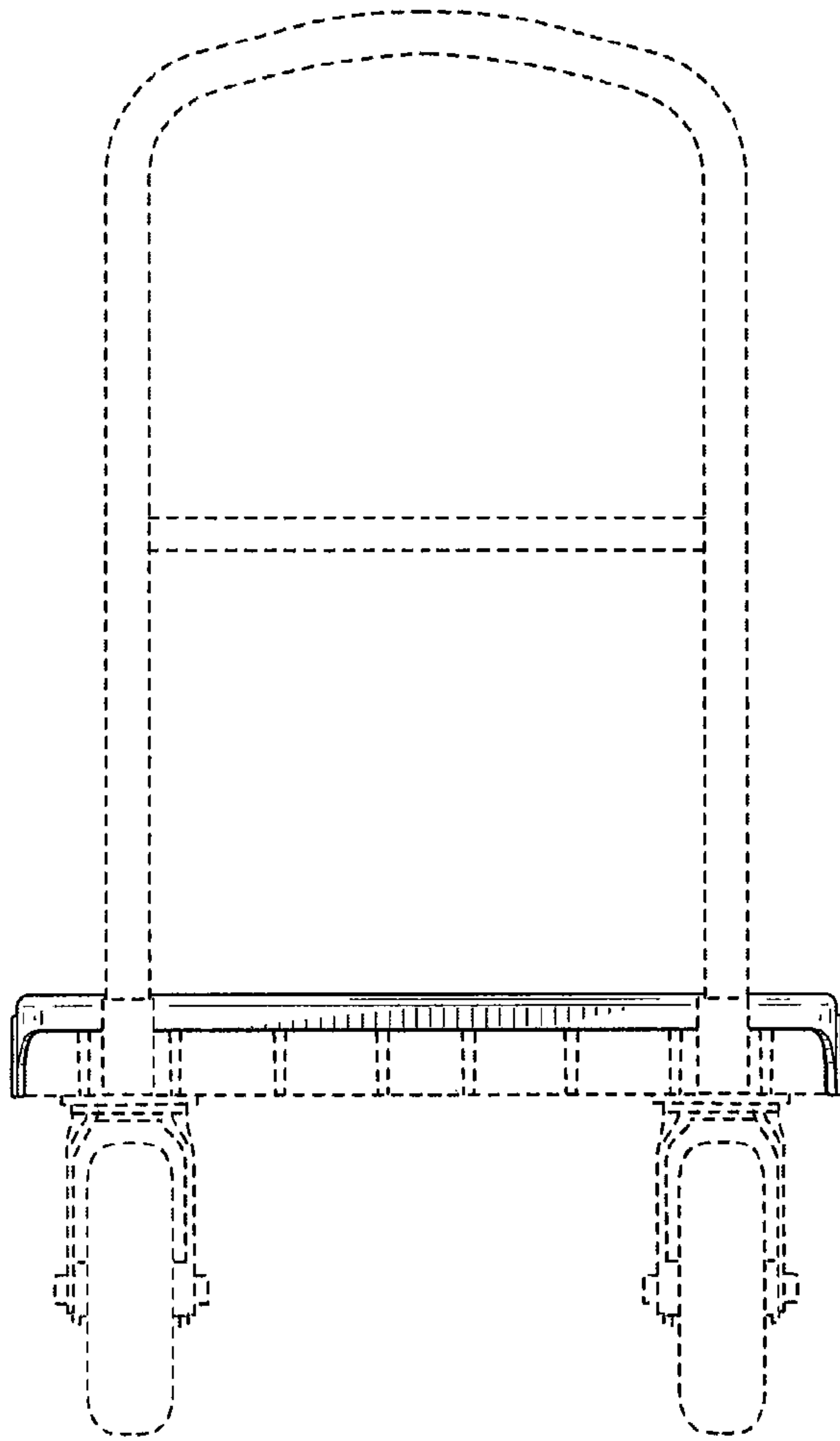


FIG. 6

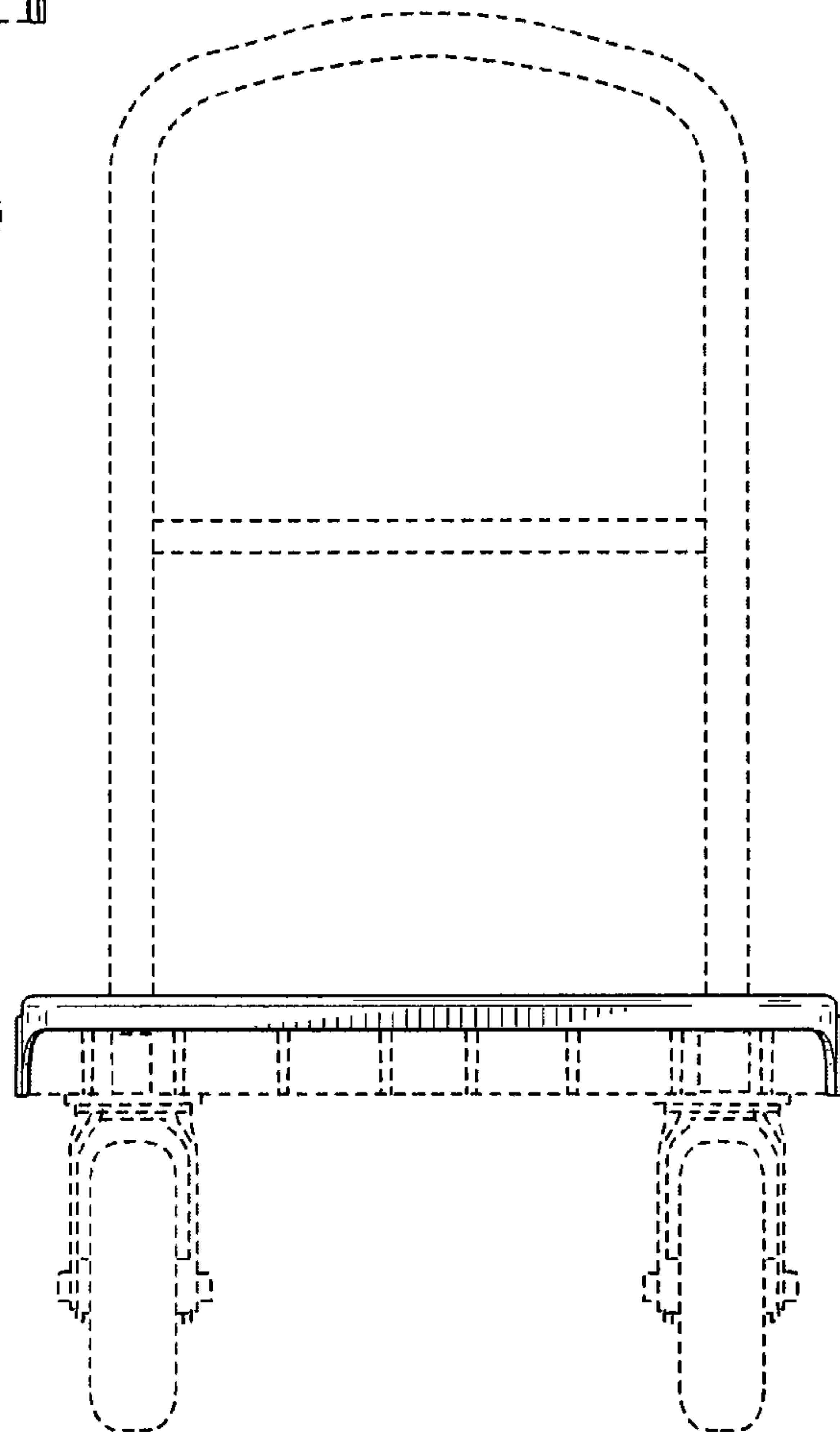


FIG. 7

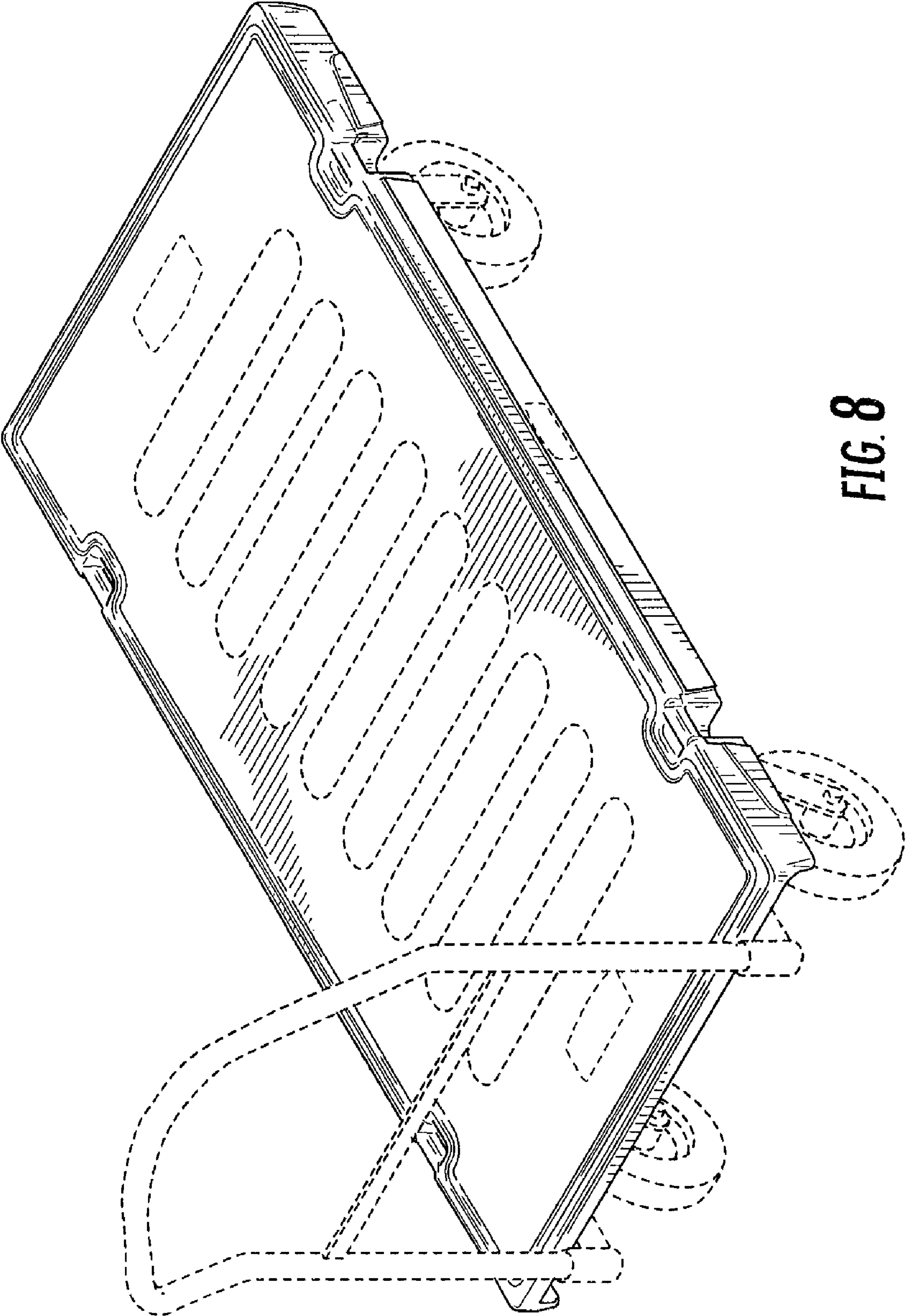


FIG. 8

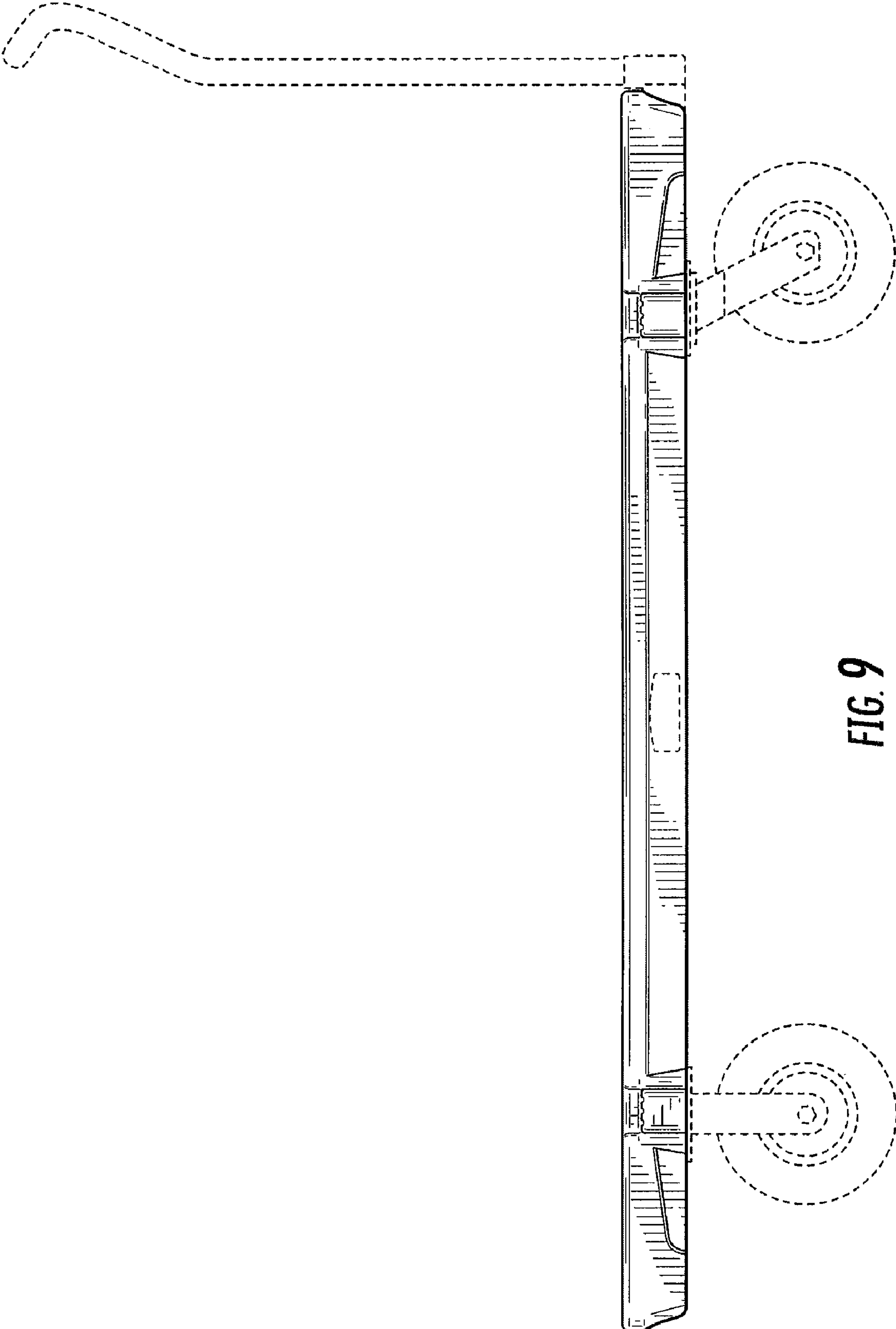


FIG. 9

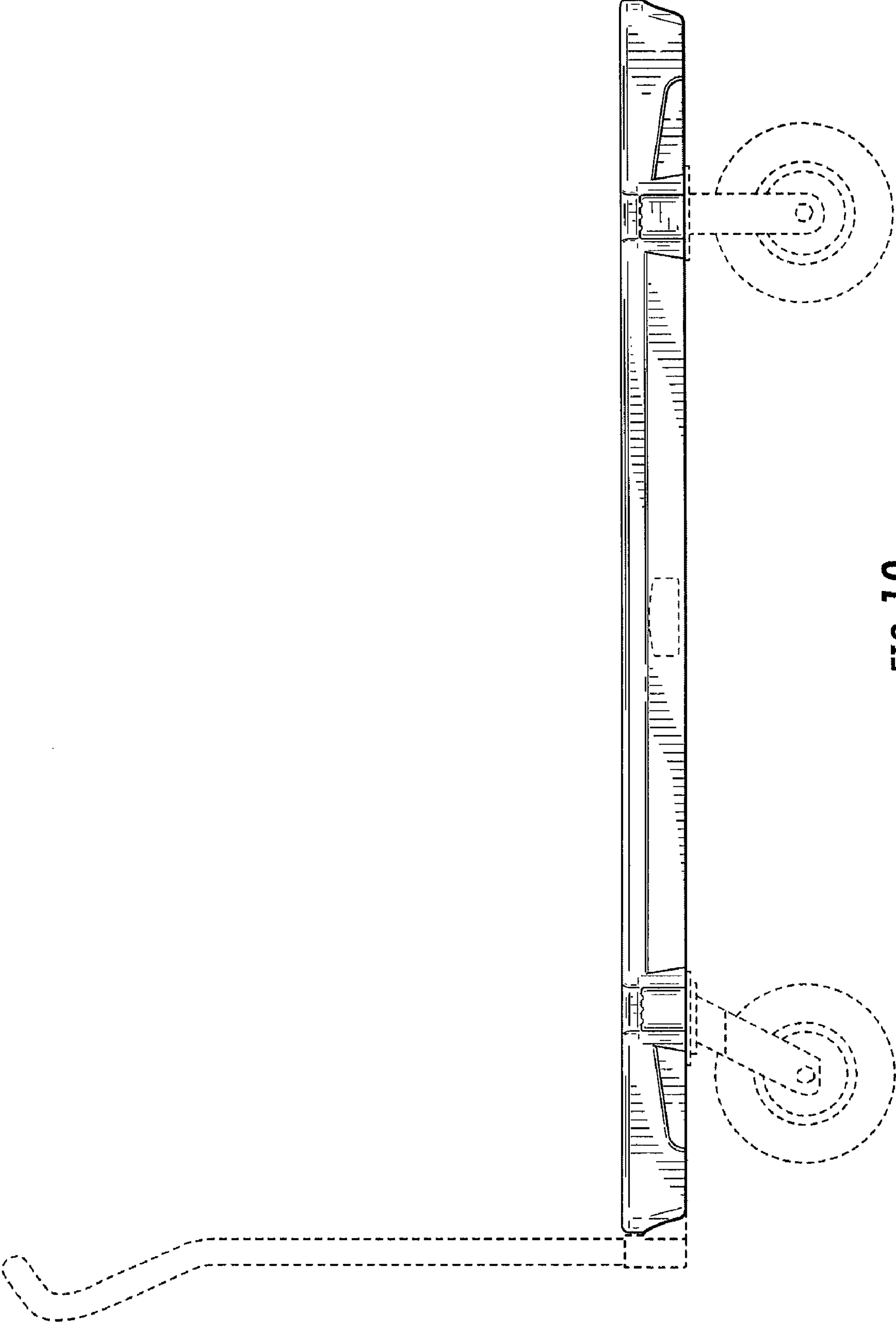


FIG. 10

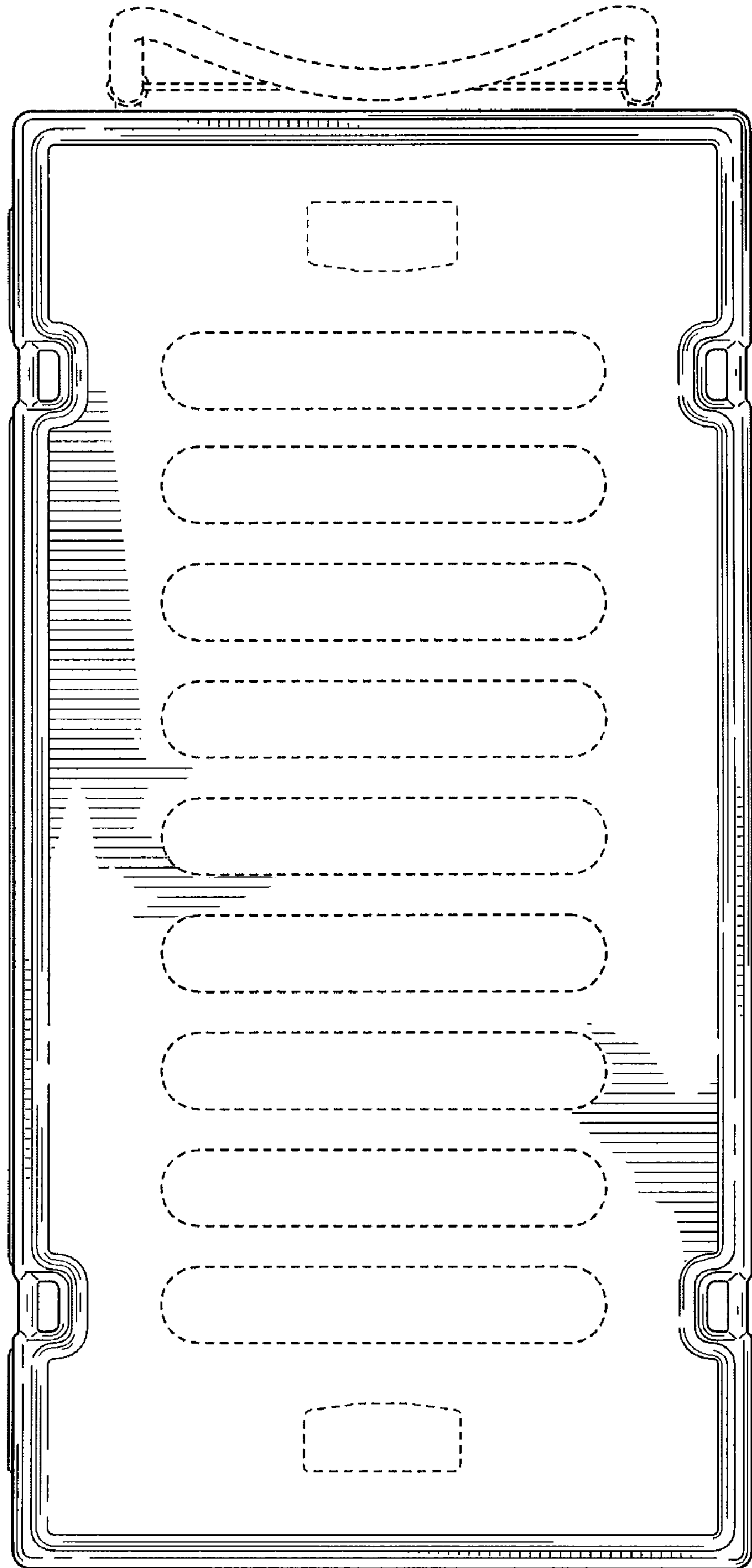


FIG. 11

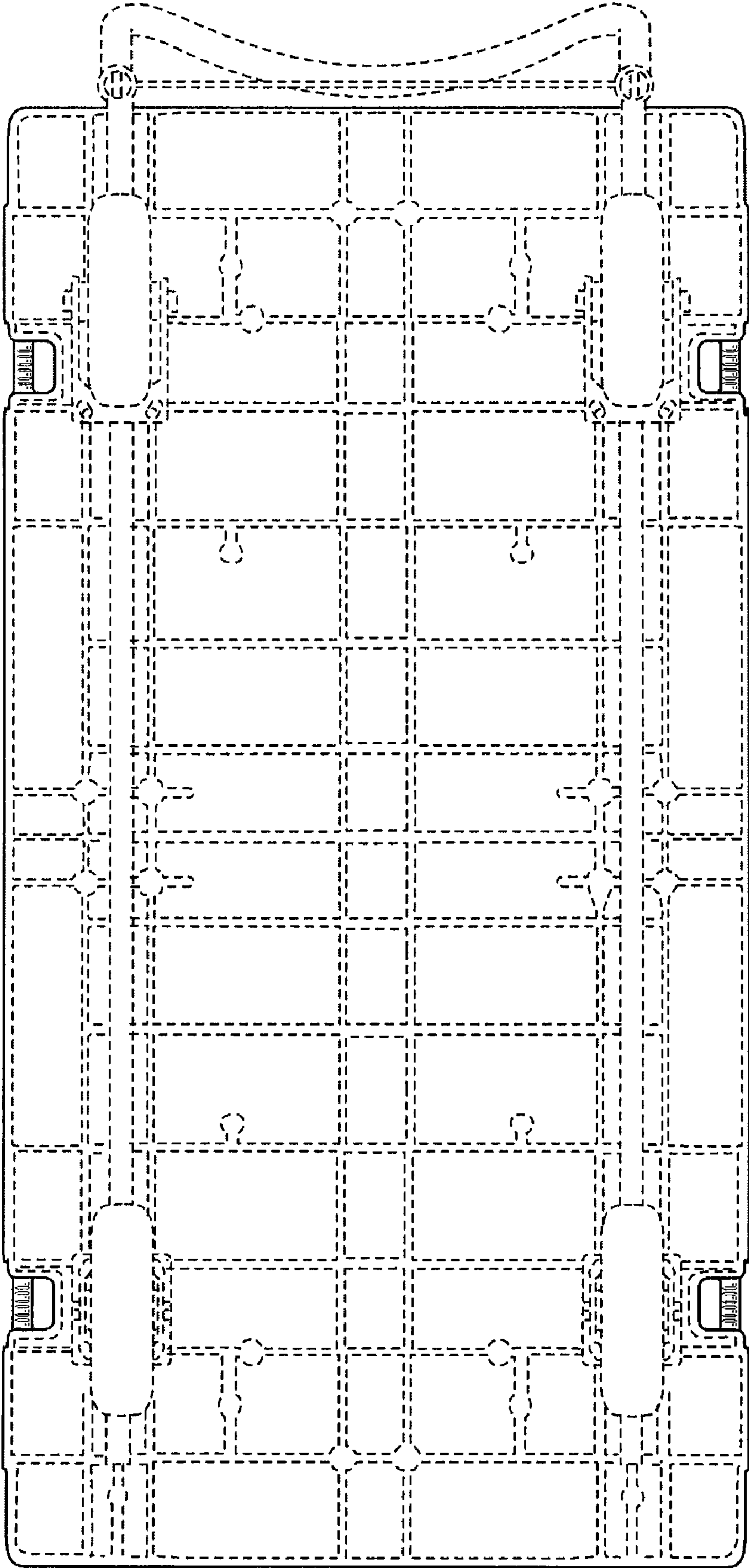


FIG. 12

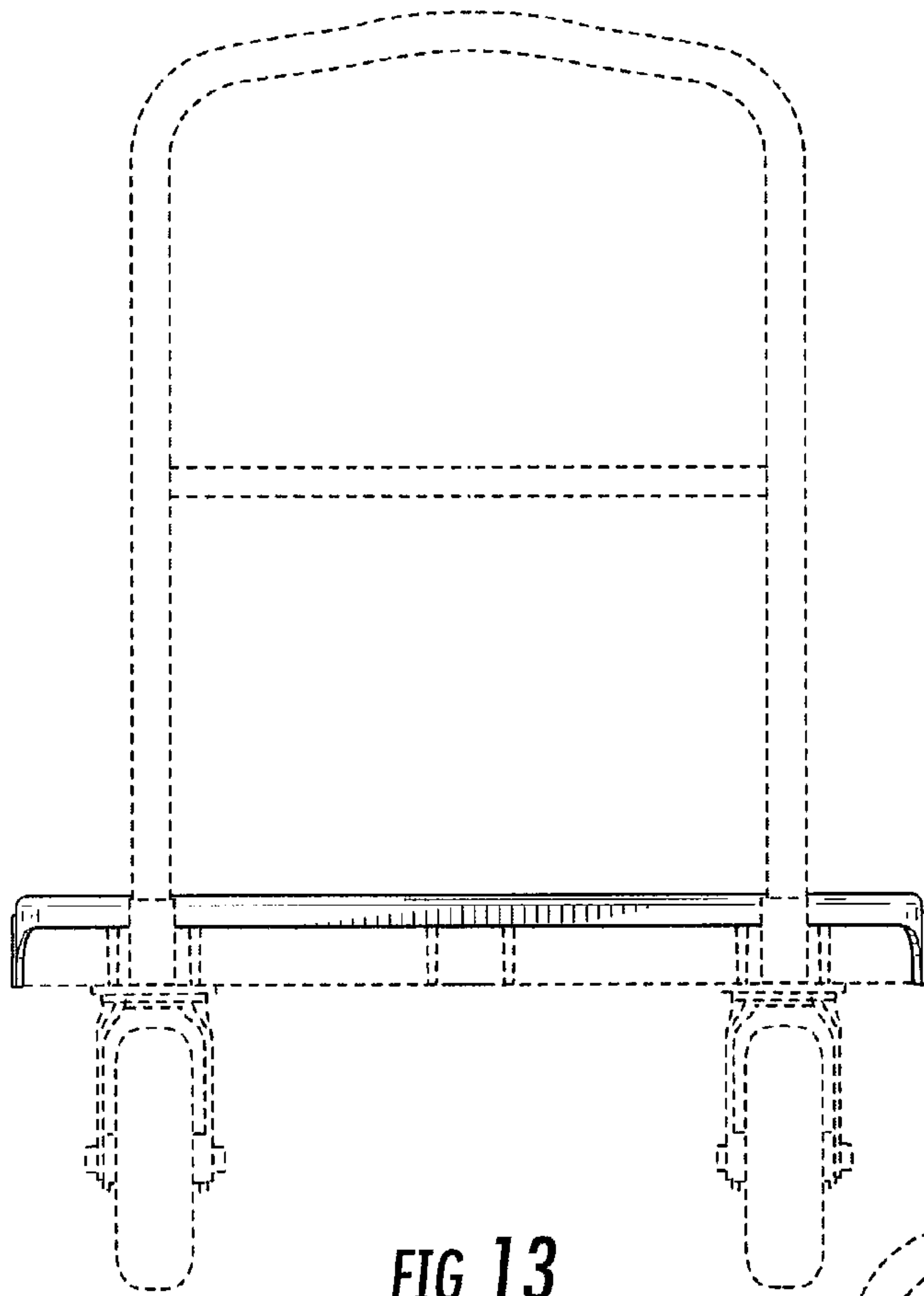


FIG. 13

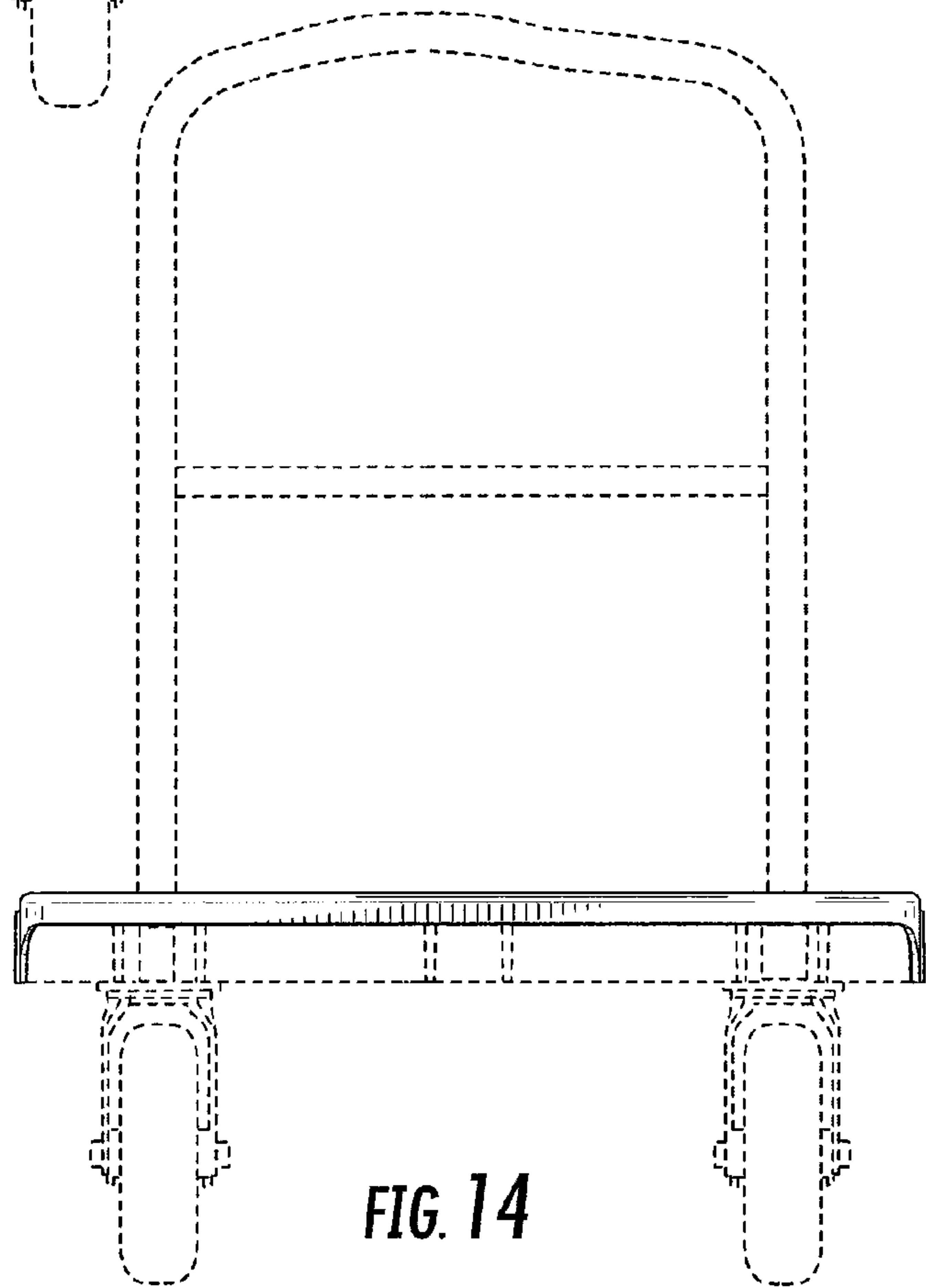


FIG. 14

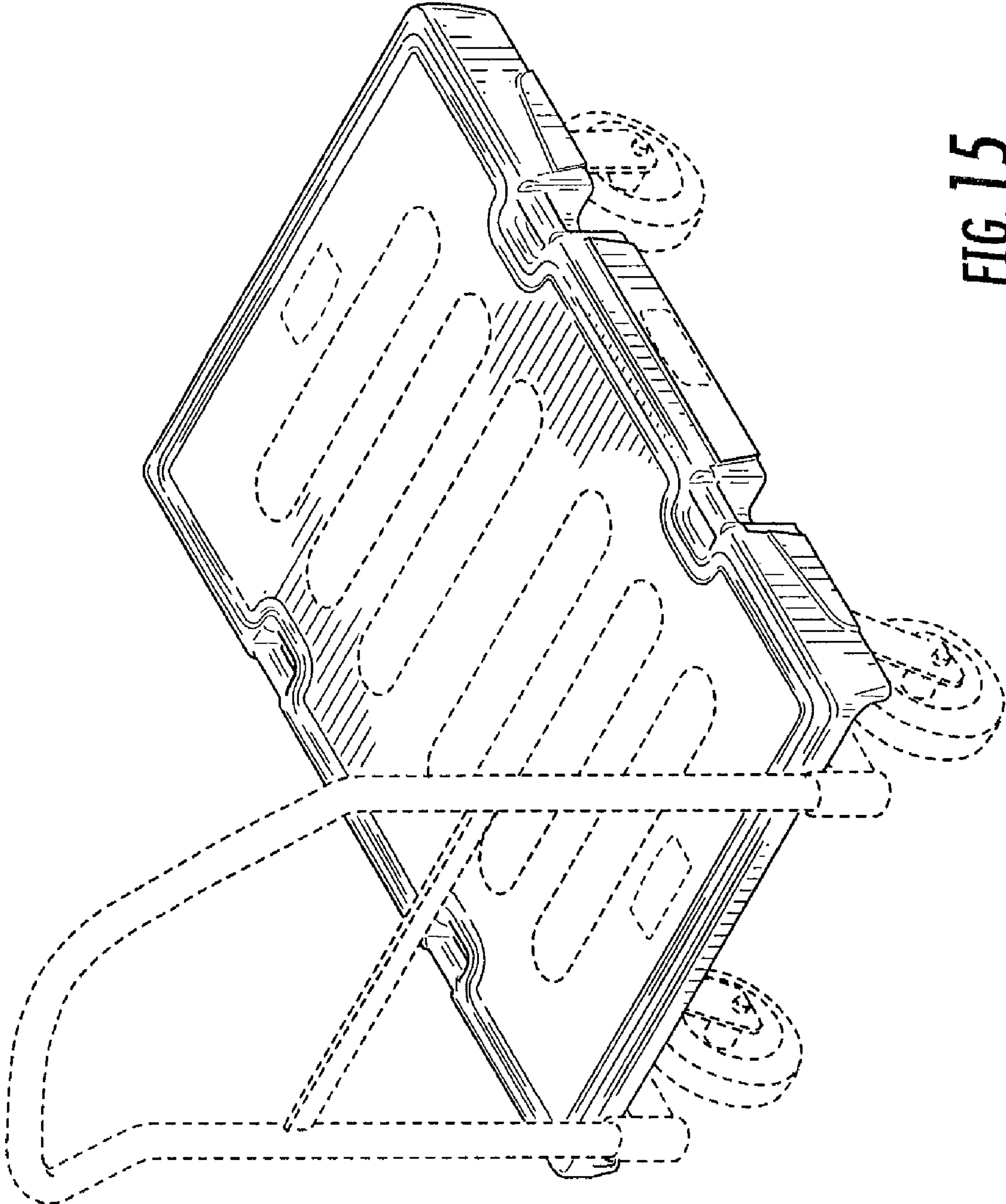


FIG. 15

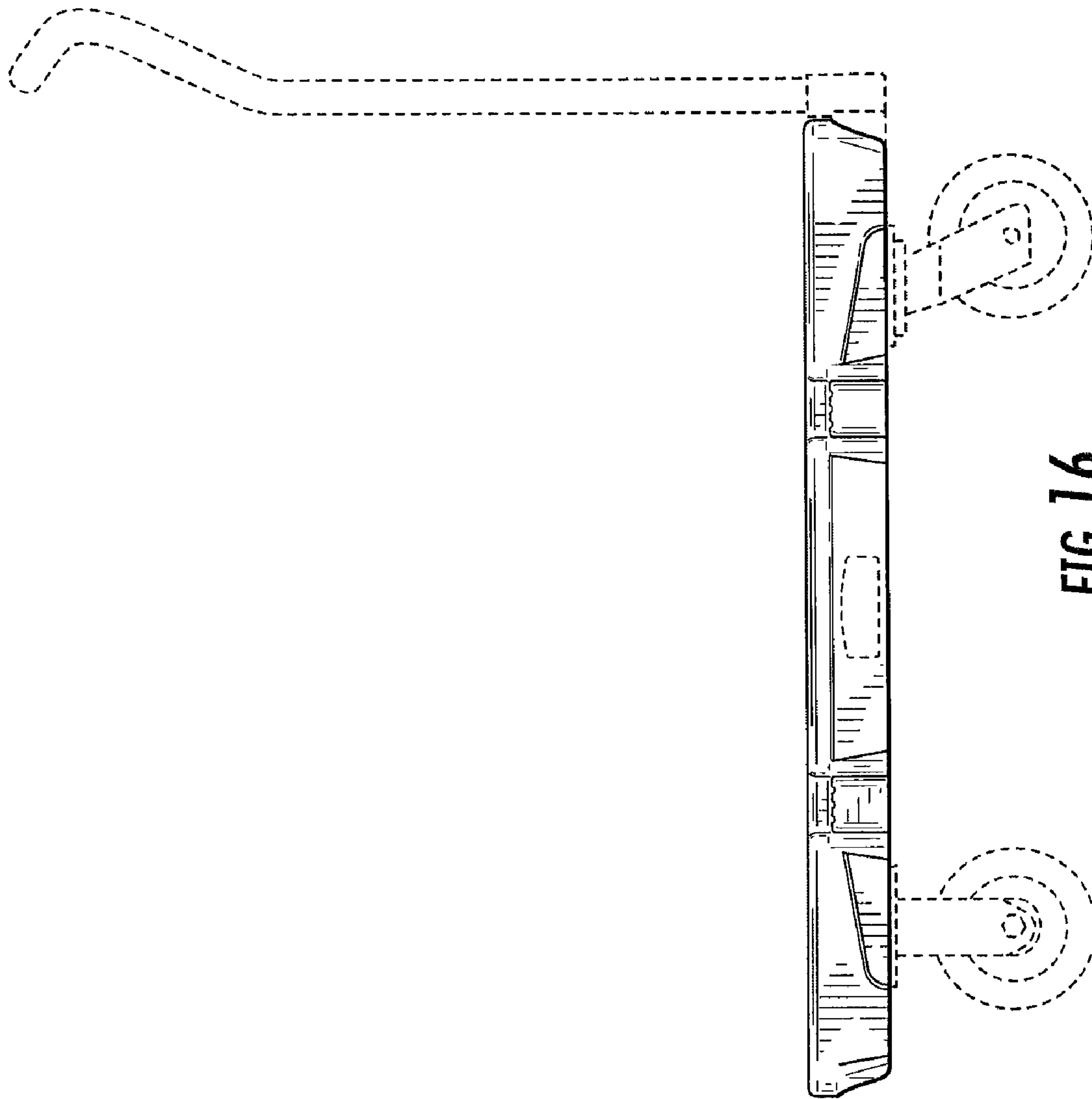


FIG. 16

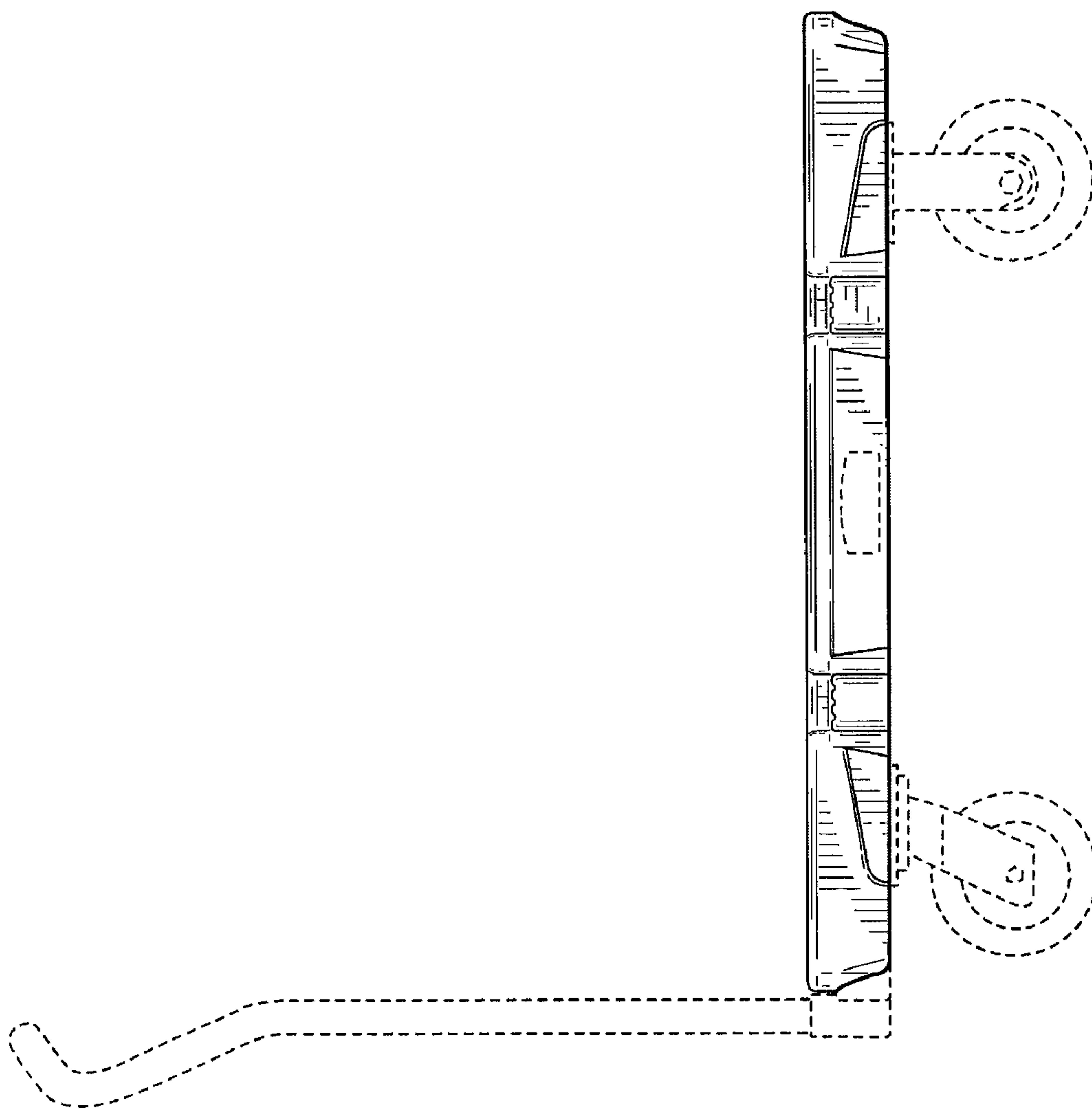


FIG. 17

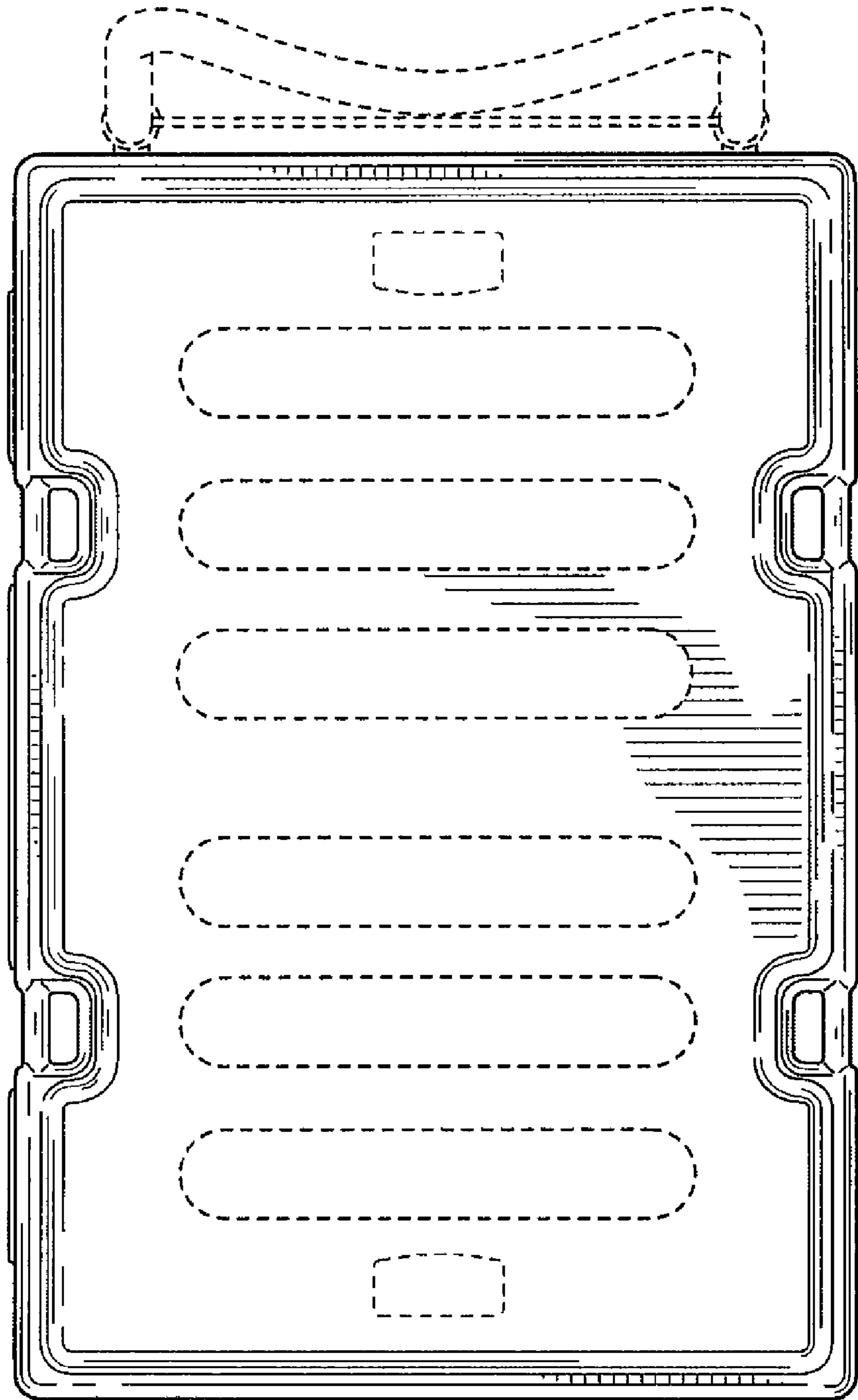


FIG. 18

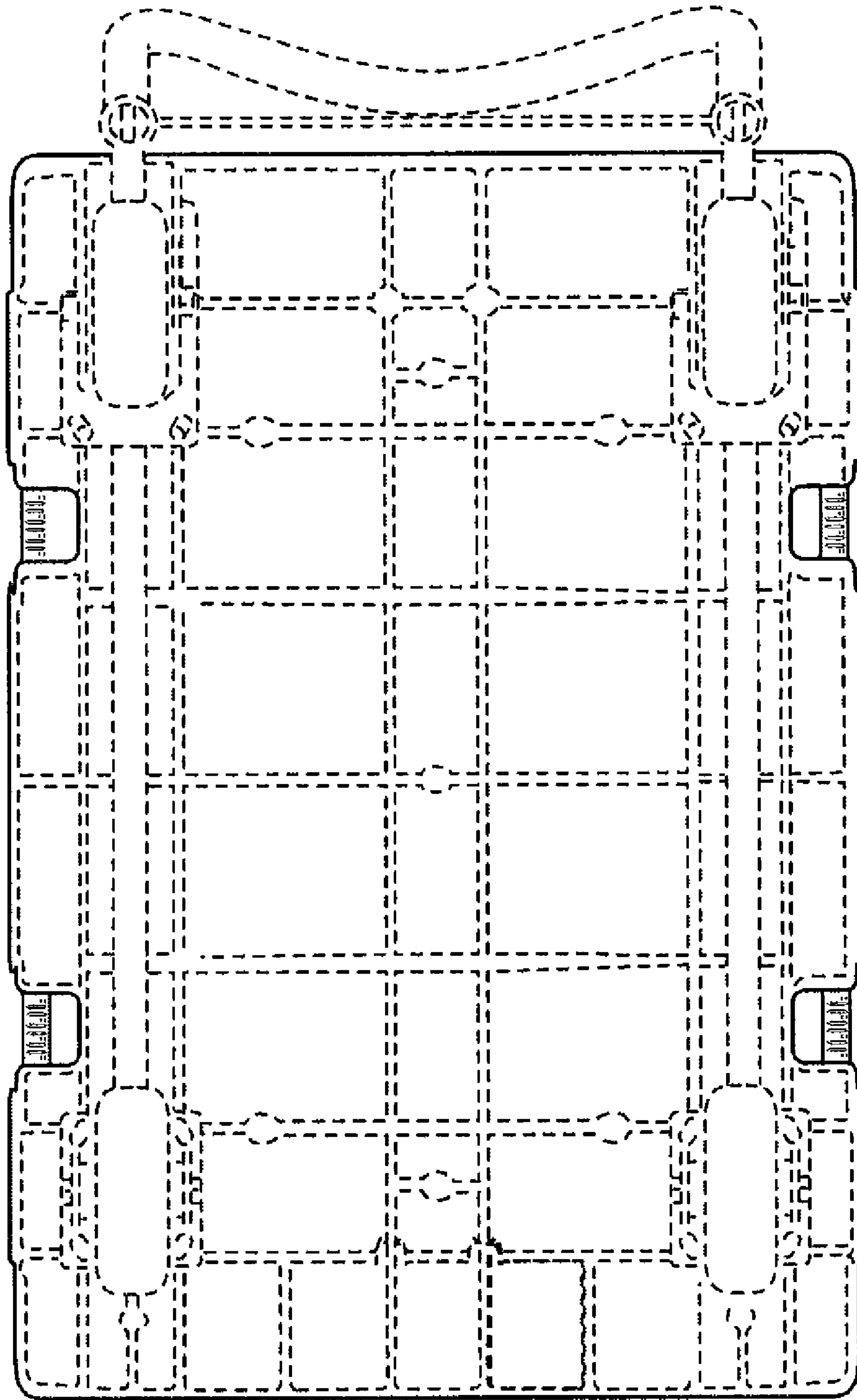


FIG. 19

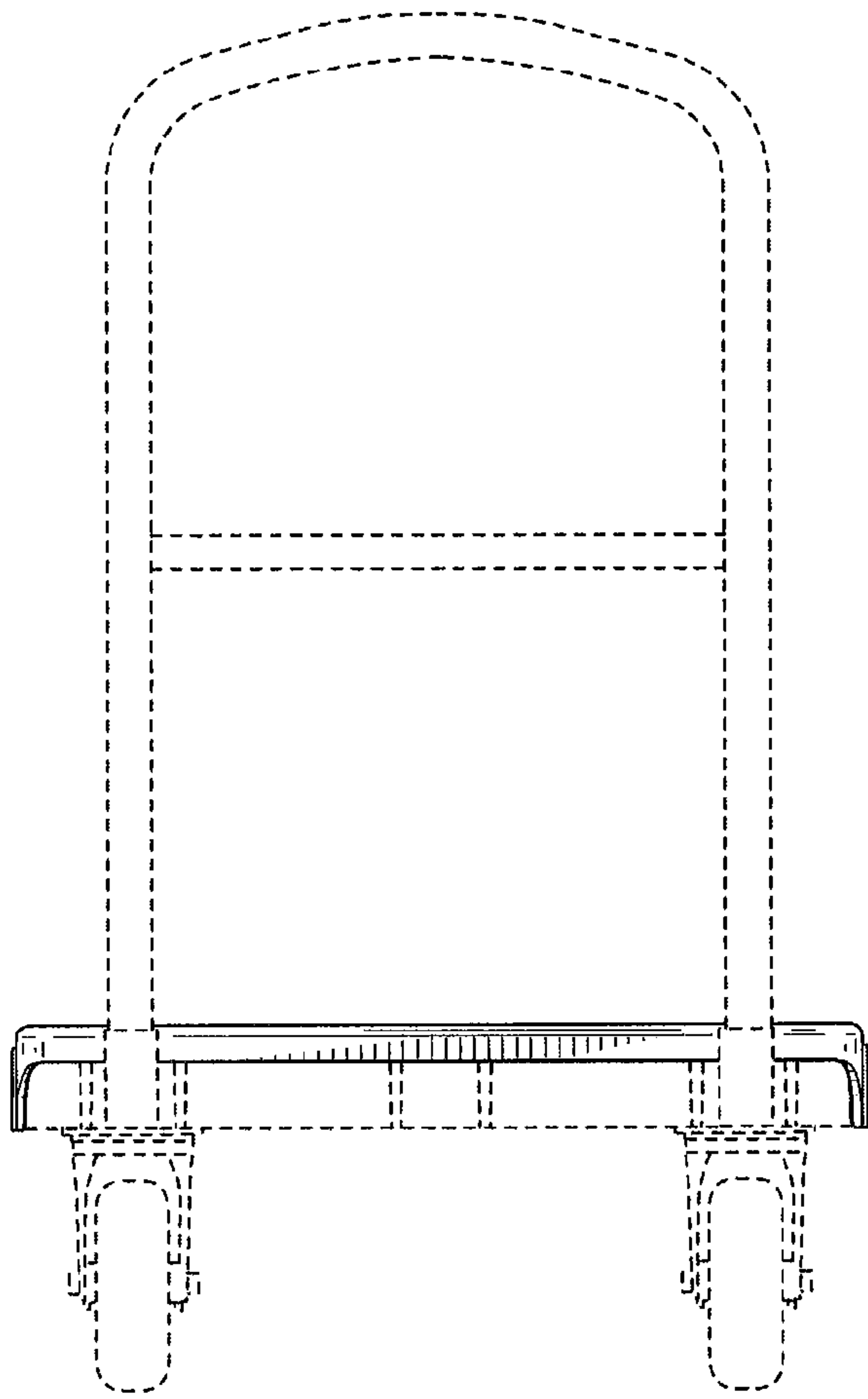


FIG. 20

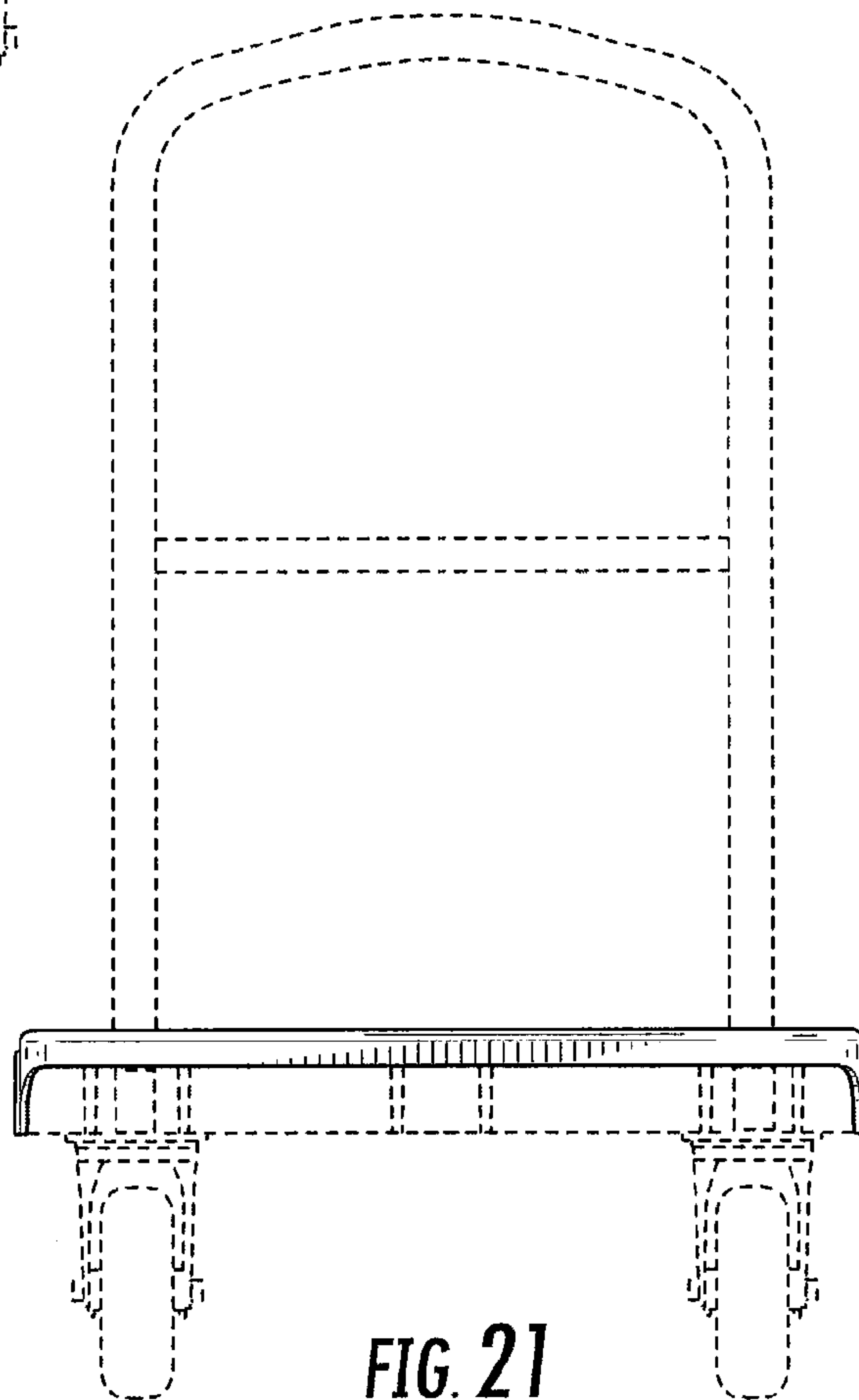


FIG. 21