



US00D618420S

(12) **United States Design Patent**
Perelli et al.

(10) **Patent No.:** **US D618,420 S**
(45) **Date of Patent:** **** Jun. 22, 2010**

(54) **CONVERTIBLE PLATFORM TRUCK**

(57) **CLAIM**

(75) Inventors: **Thomas Perelli**, Winchester, VA (US);
Mark Allen Catron, Winchester, VA
(US); **Jared Matola**, Winchester, VA
(US); **Grant Matthew Mason**, Stephens
City, VA (US)

I claim the ornamental design for a convertible platform truck, as shown and described.

(73) Assignee: **Rubbermaid Commercial Products, LLC**, Winchester, VA (US)

DESCRIPTION

(**) Term: **14 Years**

FIG. 1 is a perspective view showing an embodiment of our new design for a convertible platform truck;

(21) Appl. No.: **29/341,368**

FIG. 2 is a left side view showing our new design shown in FIG. 1;

(22) Filed: **Aug. 4, 2009**

FIG. 3 is a right side view showing our new design shown in FIG. 1;

(51) **LOC (9) Cl.** **12-02**

FIG. 4 is a front view showing our new design shown in FIG. 1;

(52) **U.S. Cl.** **D34/17**

FIG. 5 is a back view showing our new design shown in FIG. 1;

(58) **Field of Classification Search** D34/12-27;
280/651, 641, 79.11, 79.3, 42, 47.18, 47.2,
280/47.27

FIG. 6 is a top view showing our new design shown in FIG. 1;

See application file for complete search history.

FIG. 7 is a bottom view showing our new design shown in FIG. 1;

(56) **References Cited**

FIG. 8 is a perspective view showing the embodiment of our new design for a convertible platform truck of FIG. 1 in an unfolded position;

U.S. PATENT DOCUMENTS

FIG. 9 is a right side view showing our new design shown in FIG. 8;

4,740,010	A *	4/1988	Moskovitz	280/641
4,763,799	A *	8/1988	Cohn et al.	211/187
D313,878	S *	1/1991	Rinkewich	D34/21
D345,839	S *	4/1994	Senese	D34/14
D361,187	S *	8/1995	Snell	D34/21
D361,188	S *	8/1995	Perelli	D34/21
D363,590	S *	10/1995	Kazmerchek et al.	D34/21
D366,749	S *	1/1996	Carlson et al.	D34/27
6,474,665	B1 *	11/2002	Fink et al.	280/79.2
7,377,538	B2 *	5/2008	Stuart et al.	280/651
D608,071	S *	1/2010	Presnell	D34/21
D608,969	S *	1/2010	Wise	D34/12
2005/0062246	A1 *	3/2005	Kang	280/47.35

FIG. 10 is a left side view showing our new design shown in FIG. 8;

* cited by examiner

FIG. 11 is a front view showing our new design shown in FIG. 8;

Primary Examiner—Cynthia E Ramirez

FIG. 12 is a back view showing our new design shown in FIG. 8;

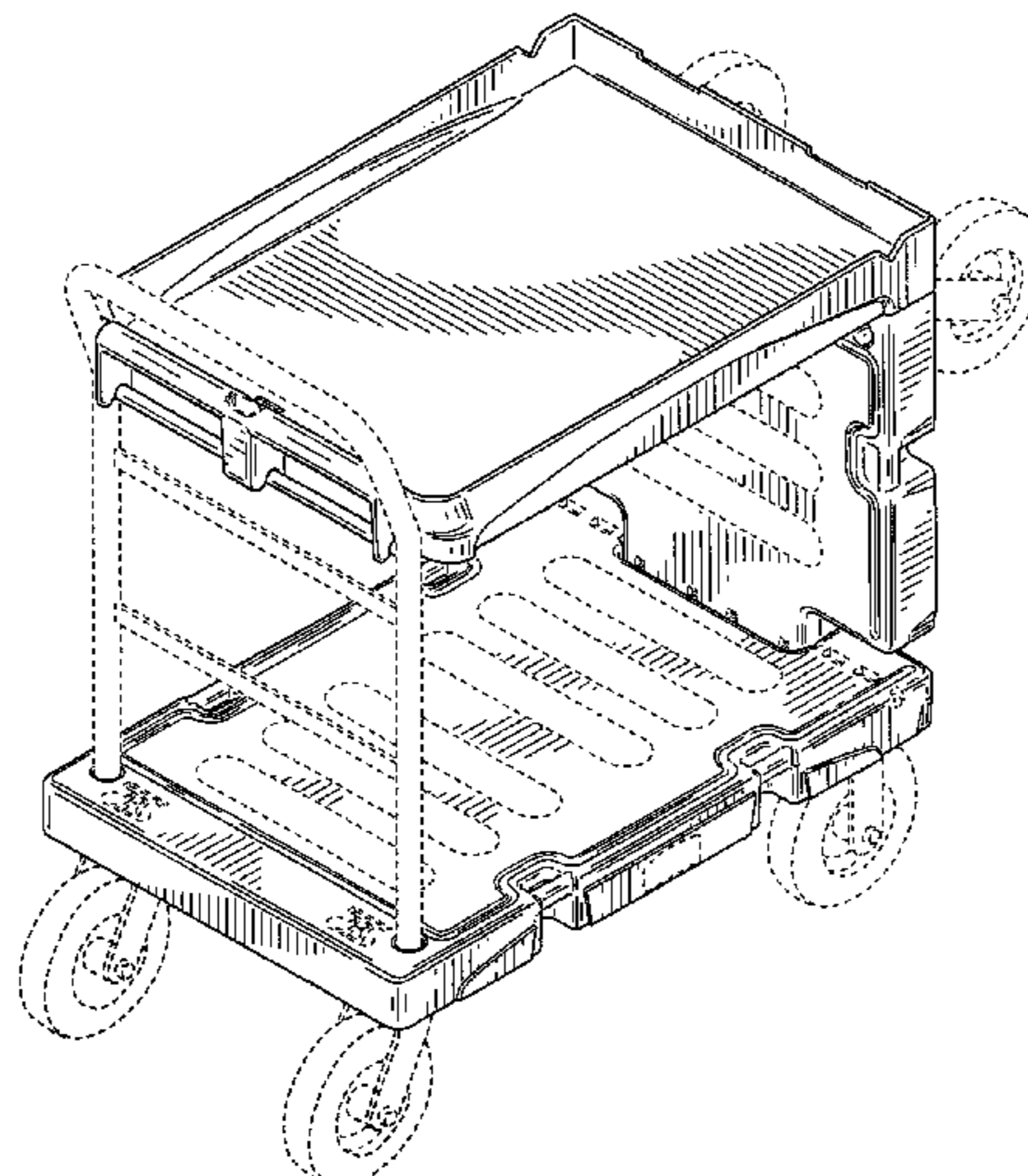
(74) *Attorney, Agent, or Firm*—Dennis J. Williamson; Moore & Van Allen, PLLC

FIG. 13 is a top view showing our new design shown in FIG. 8; and,

FIG. 14 is a bottom view showing our new design shown in FIG. 8.

The portions shown in broken lines are not part of the claimed design but show the environment in which the design is associated.

1 Claim, 11 Drawing Sheets



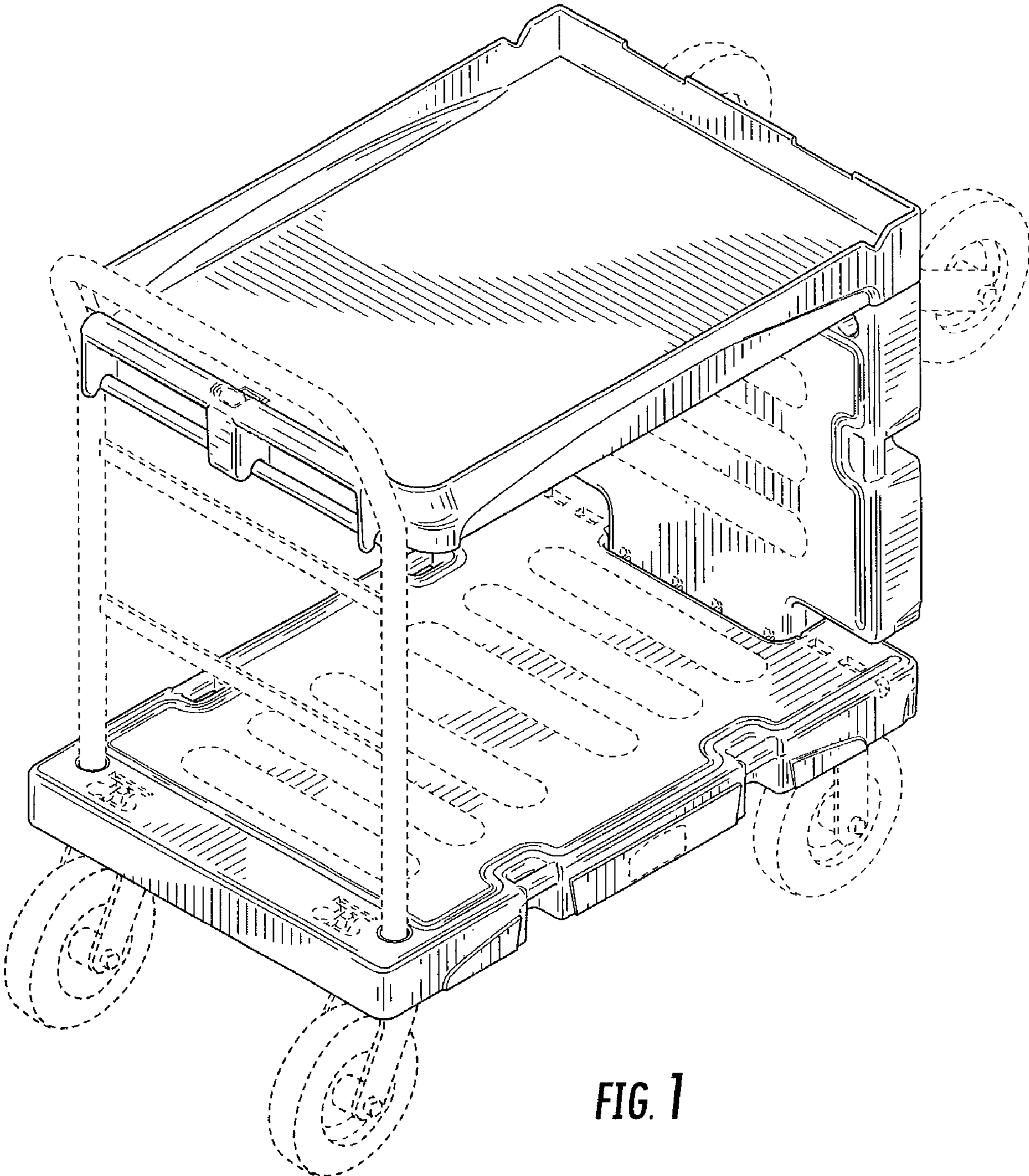


FIG. 1

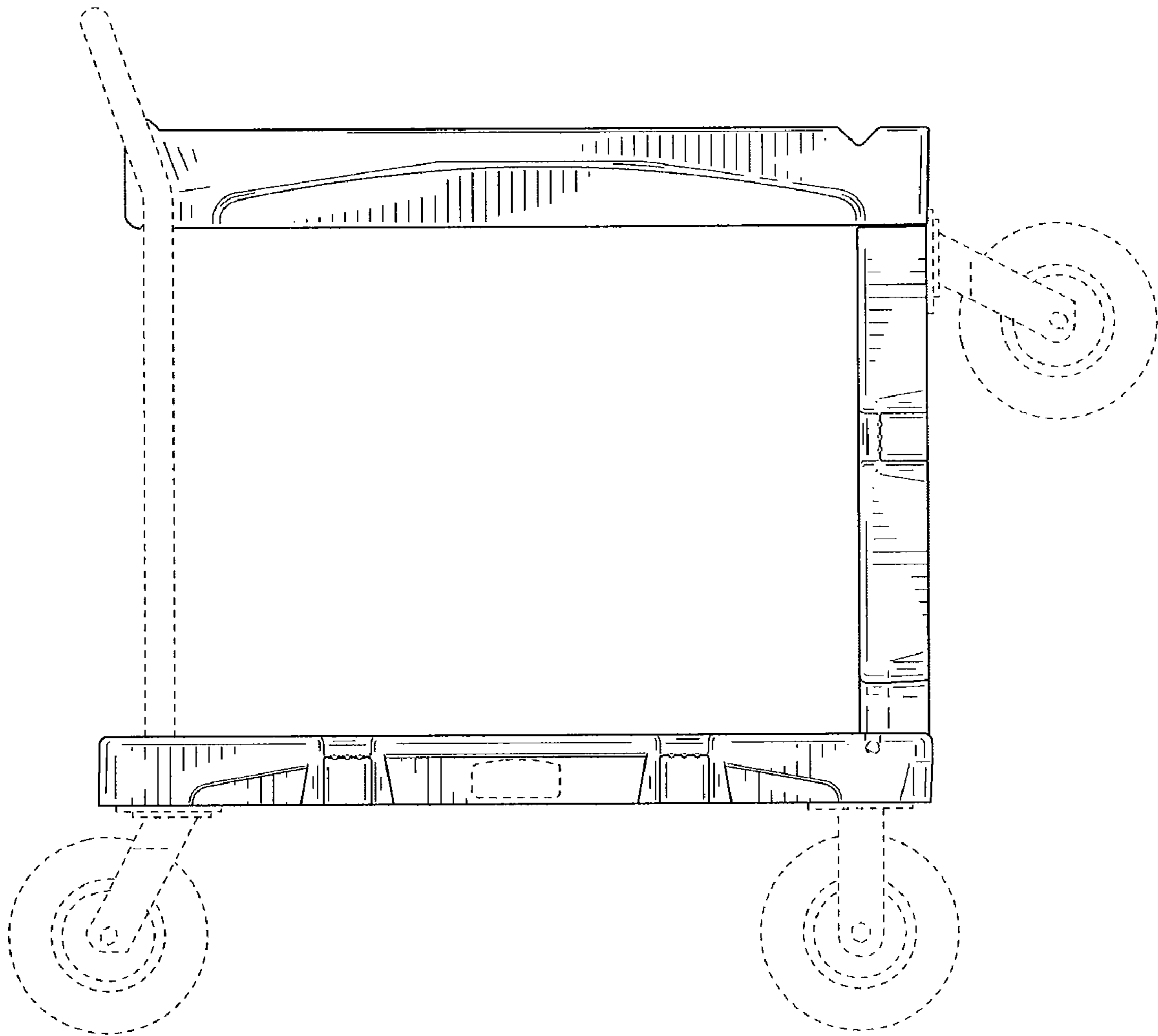


FIG. 2

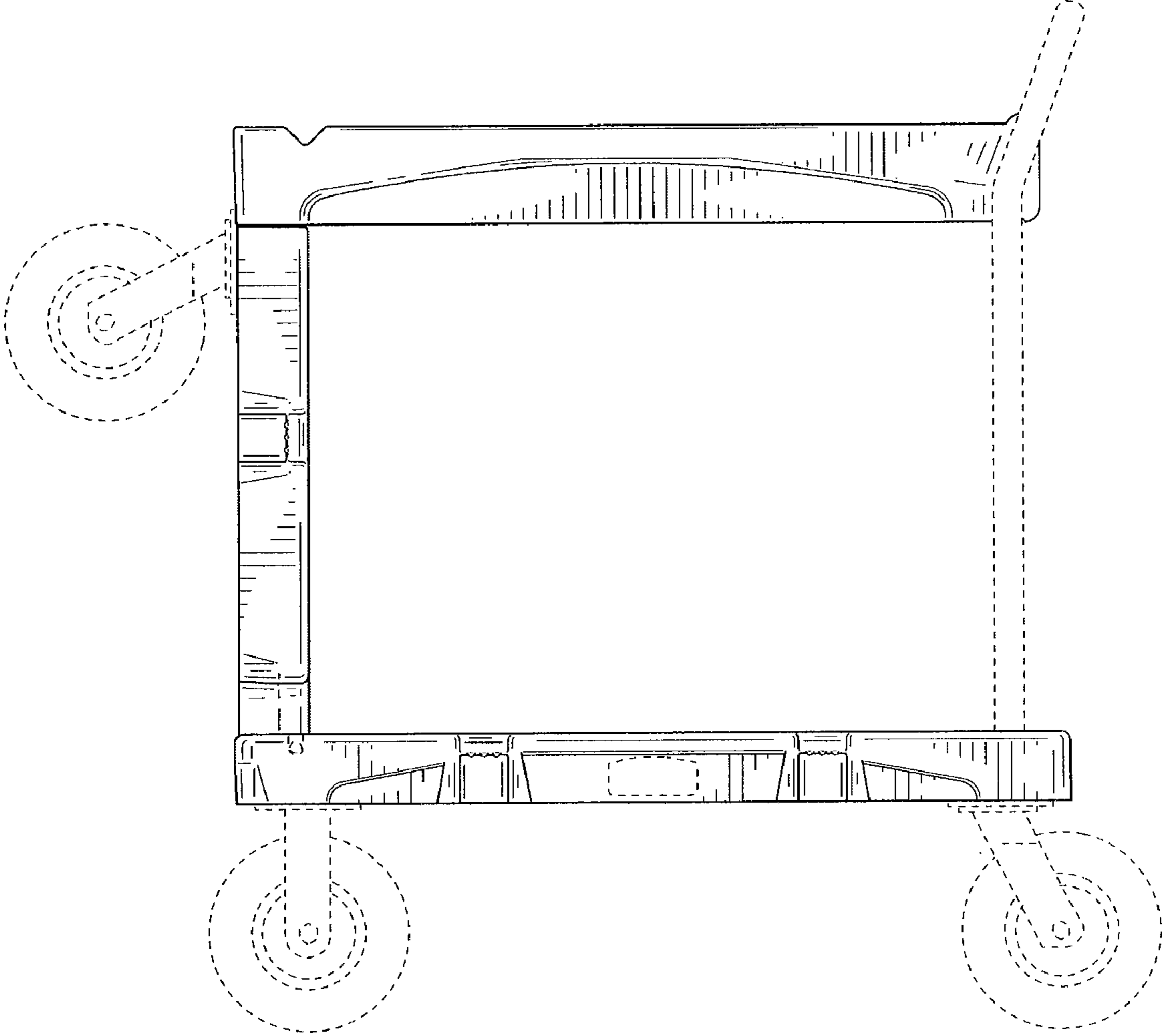


FIG. 3

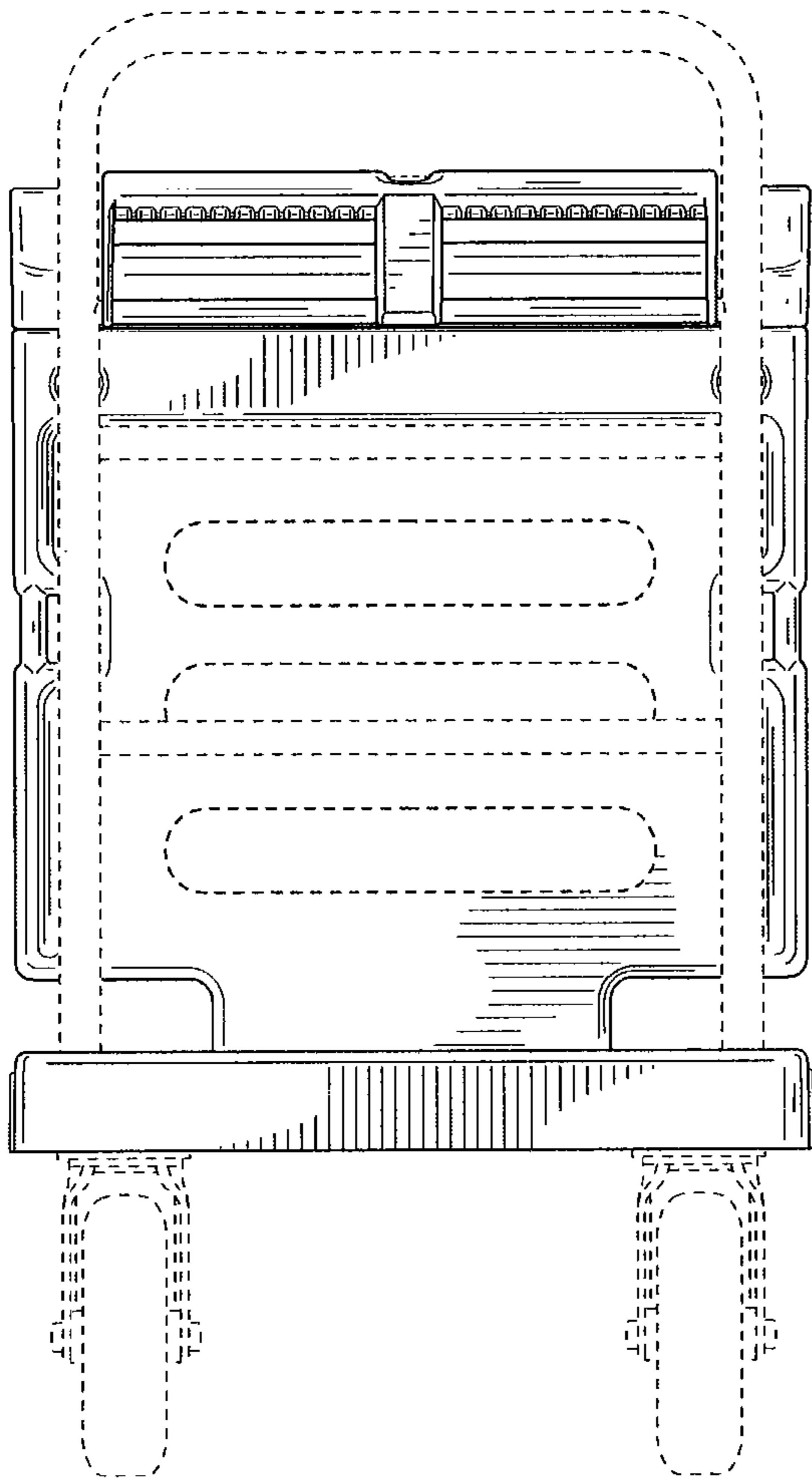


FIG. 4

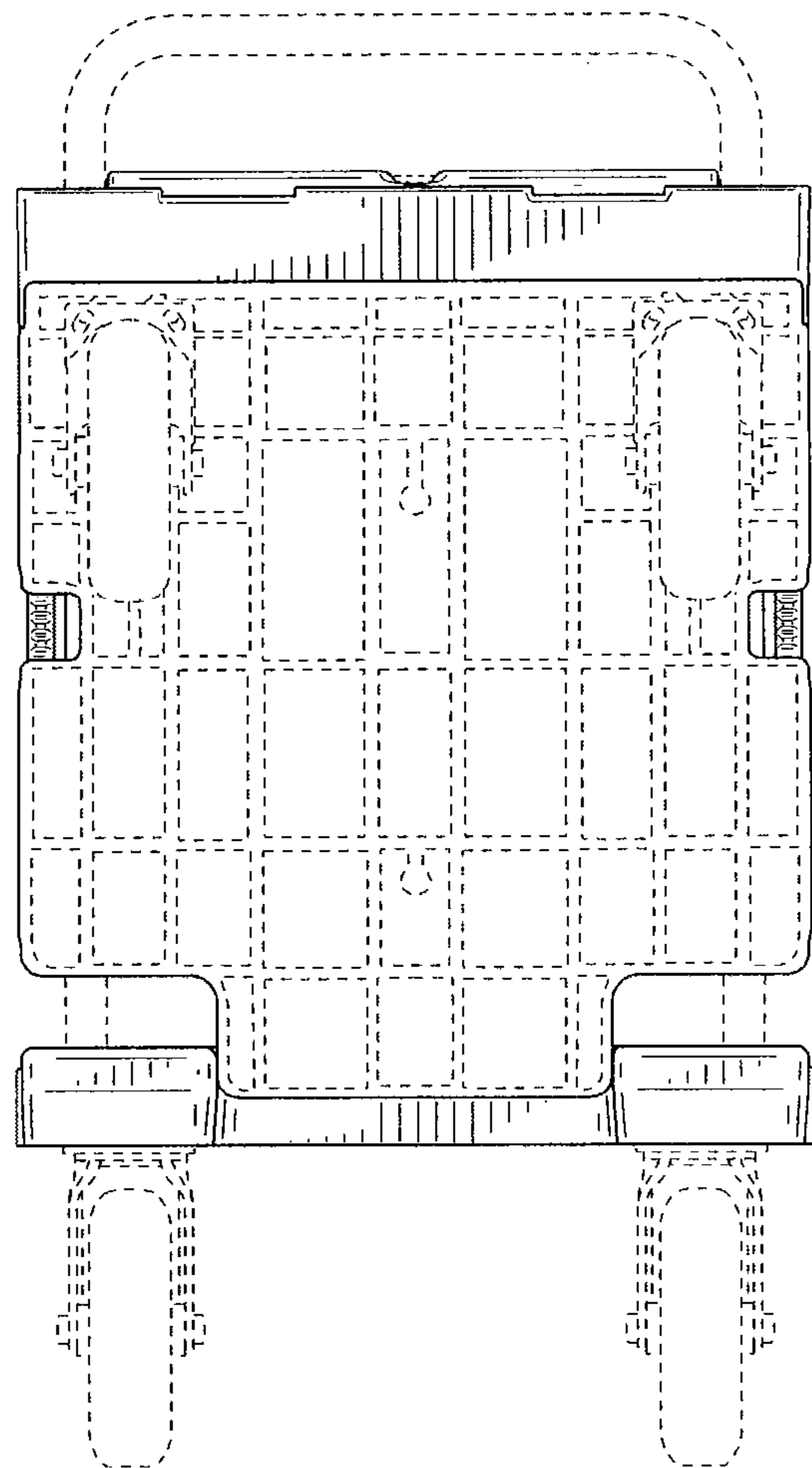


FIG. 5

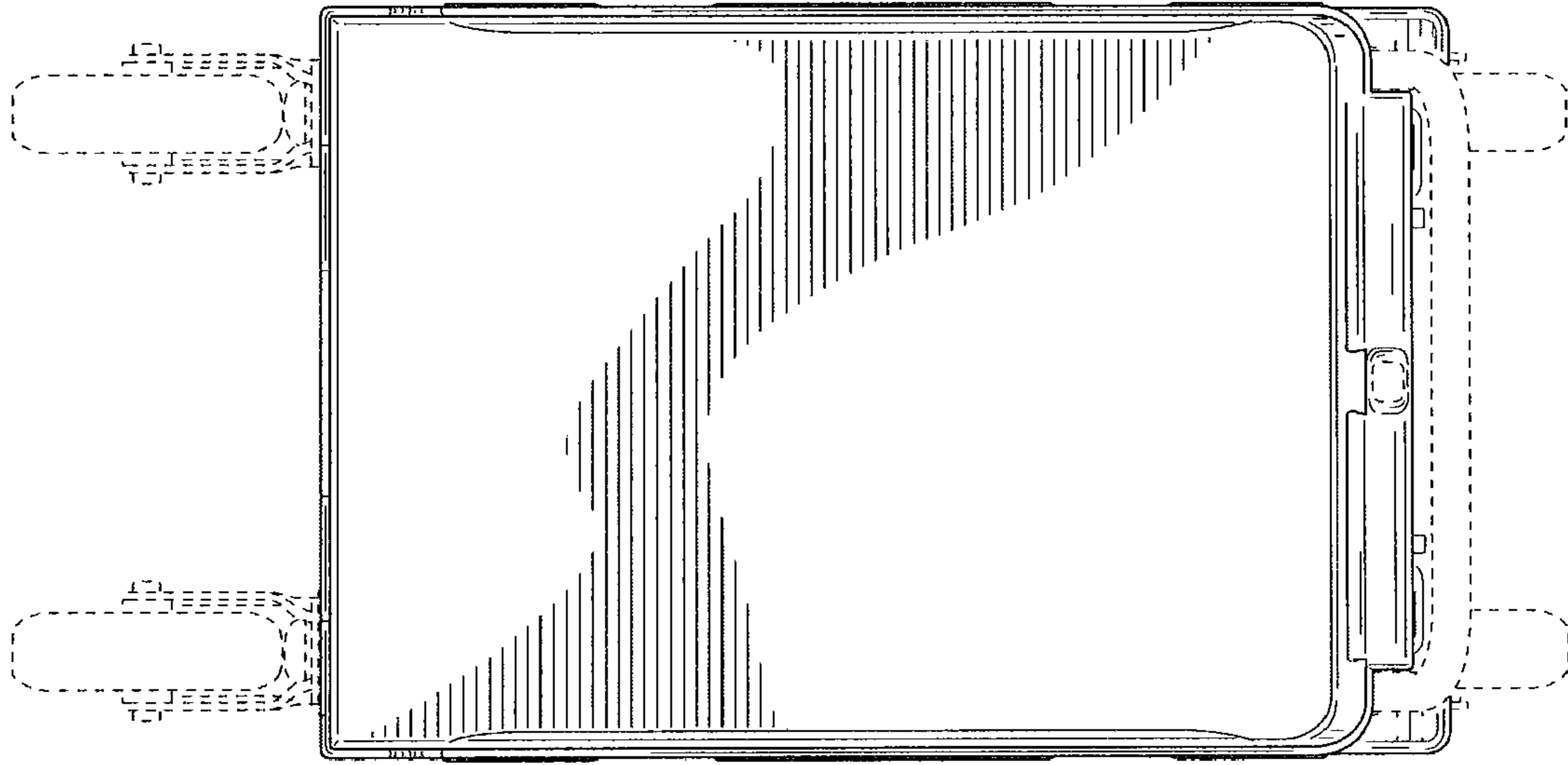


FIG. 6

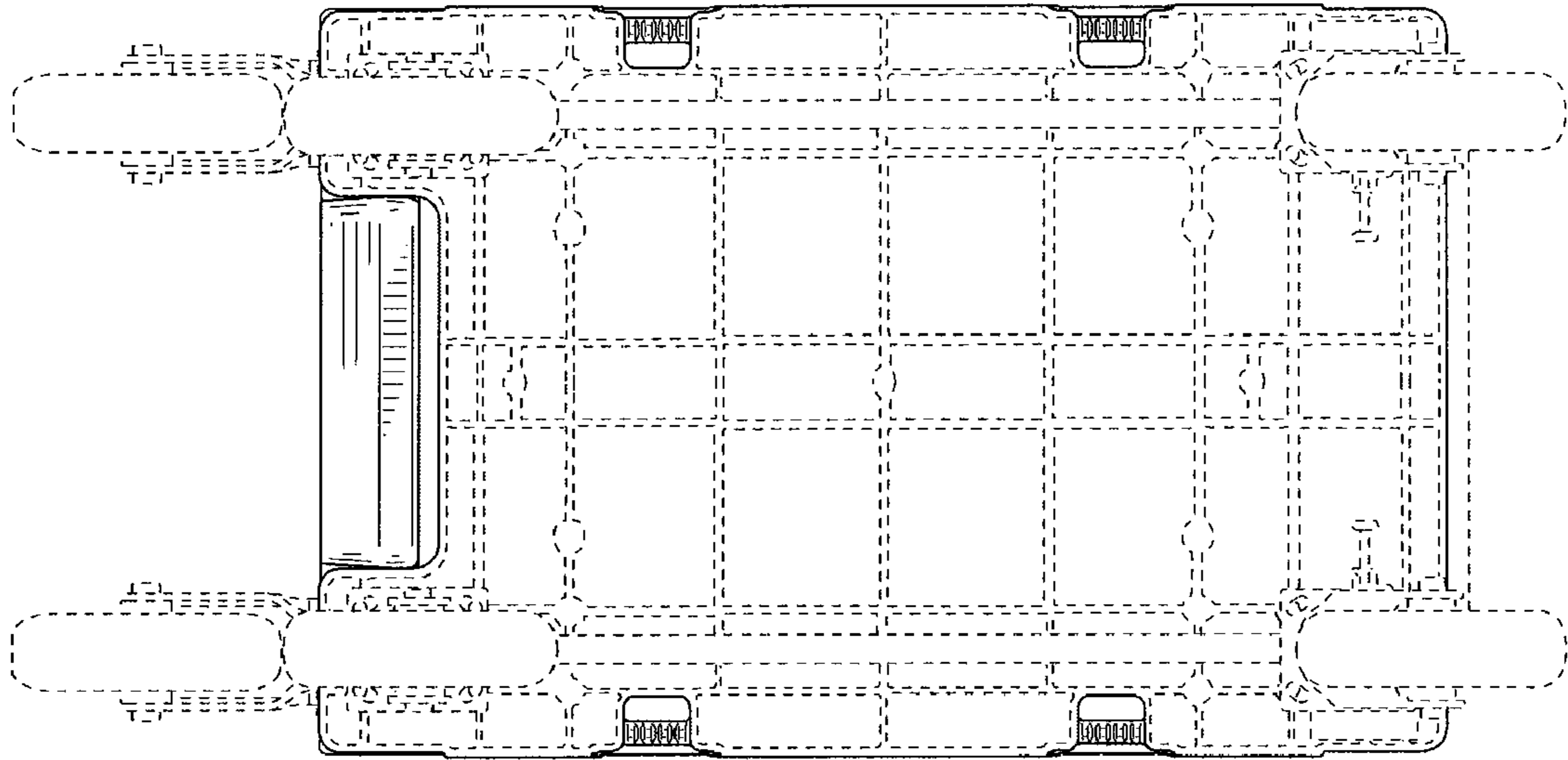


FIG. 7

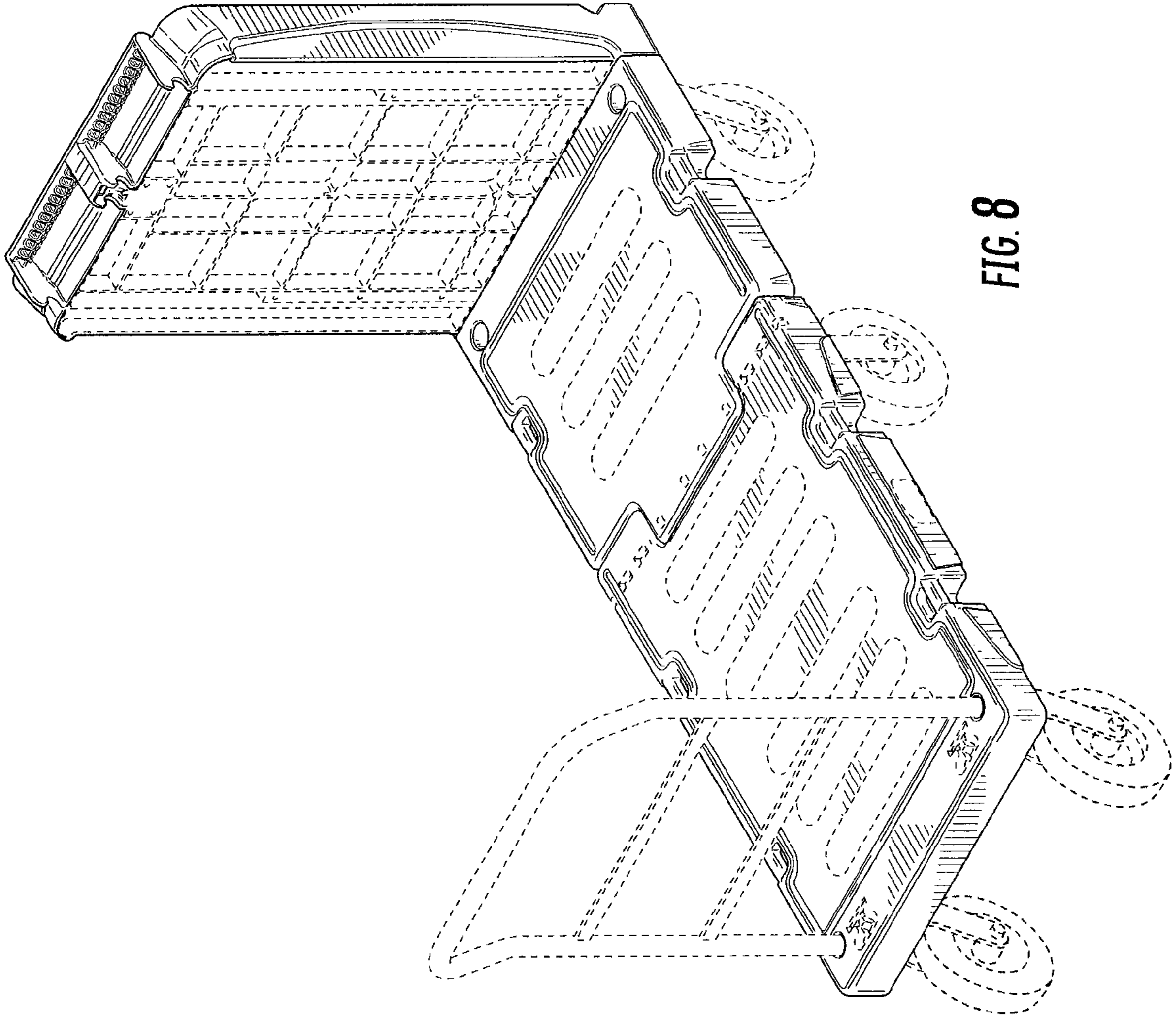


FIG. 8

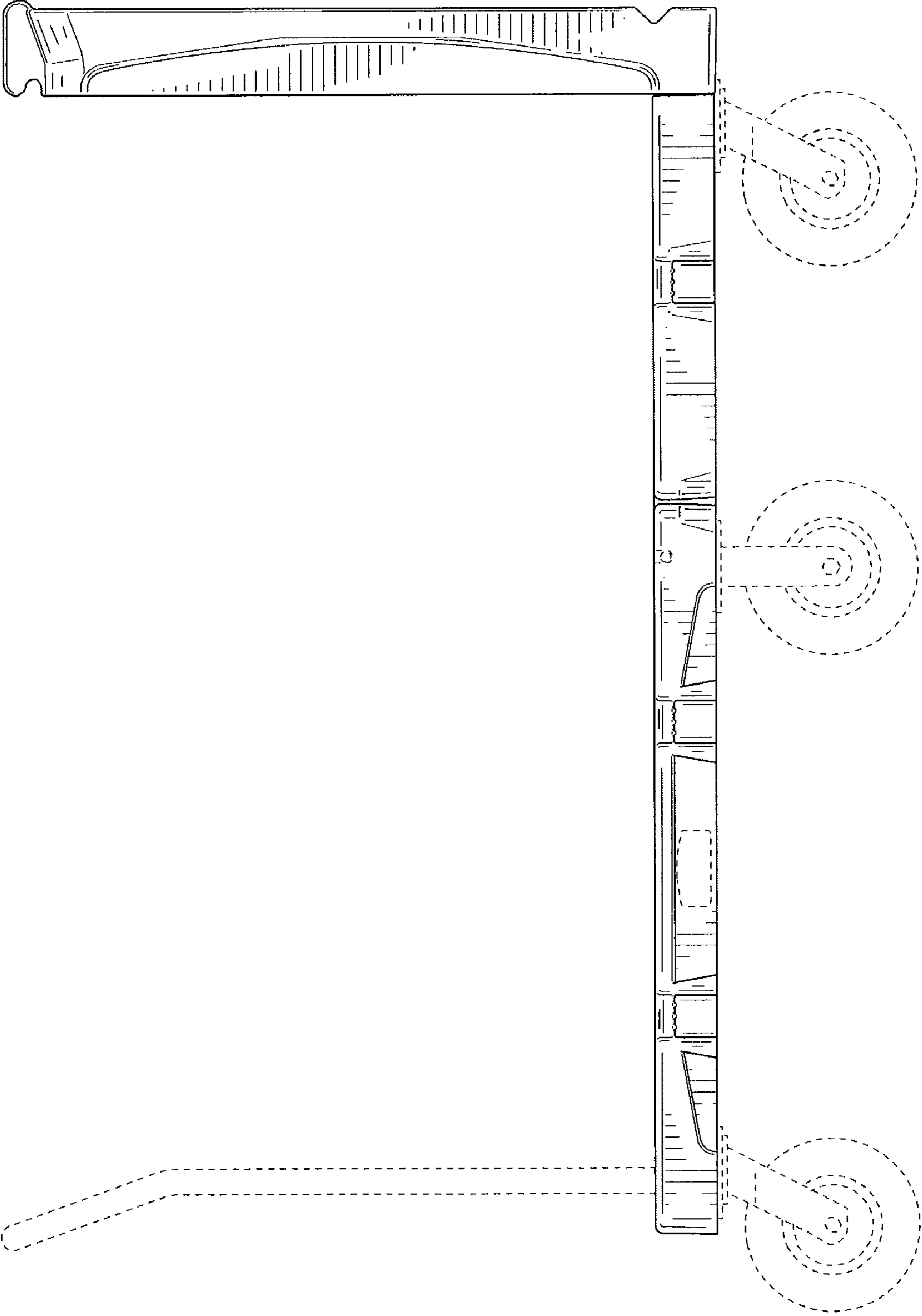


FIG. 9

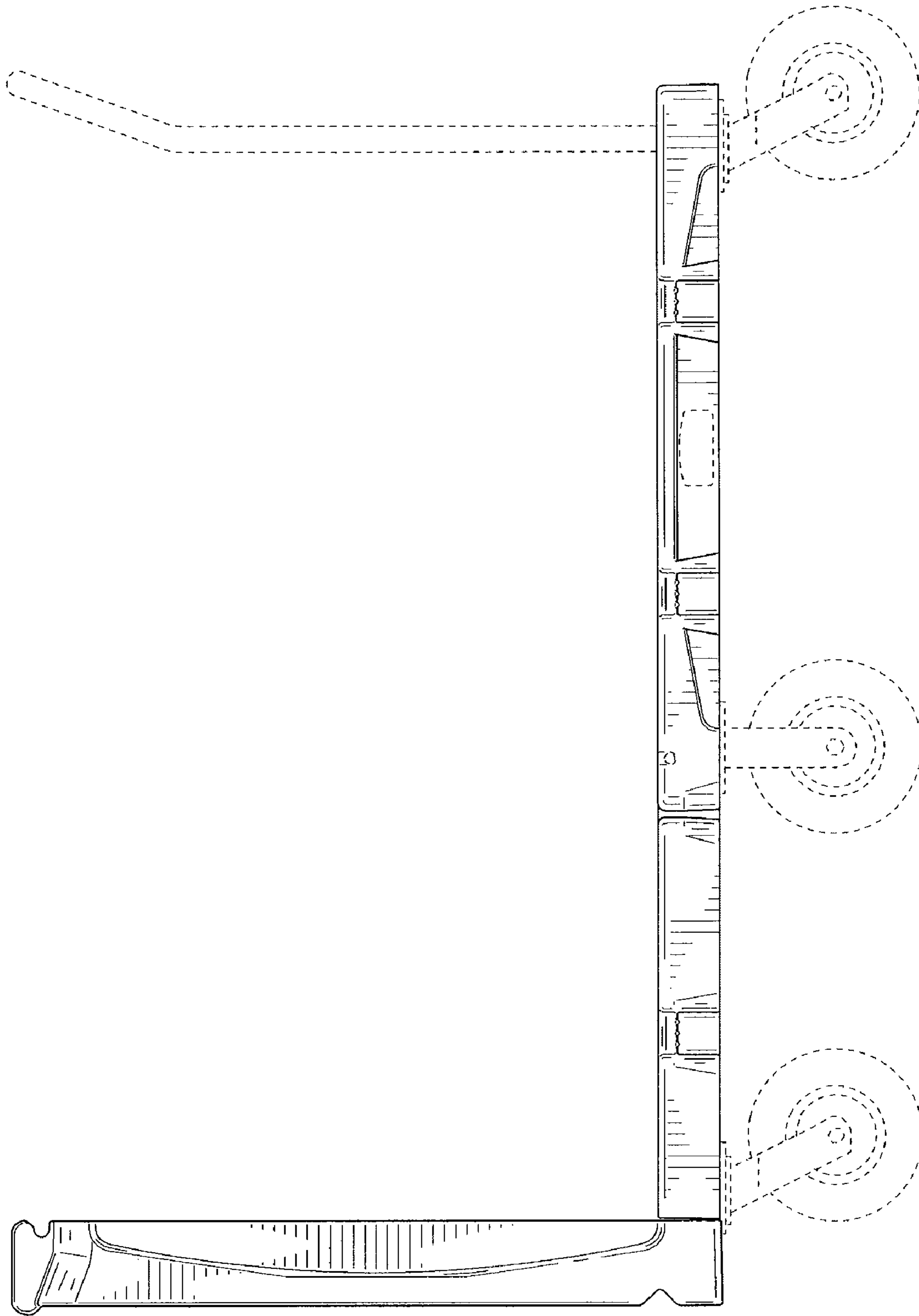


FIG. 10

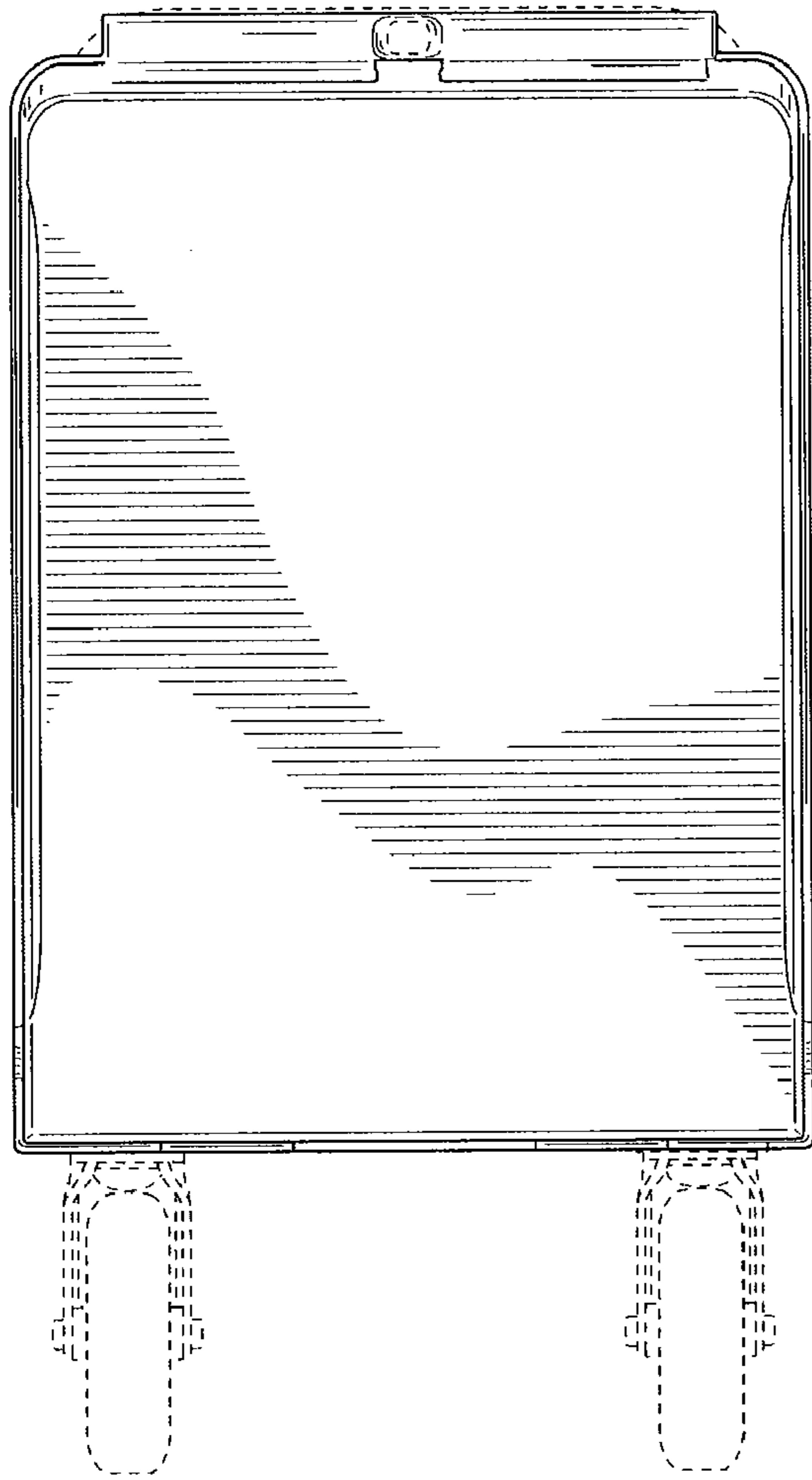
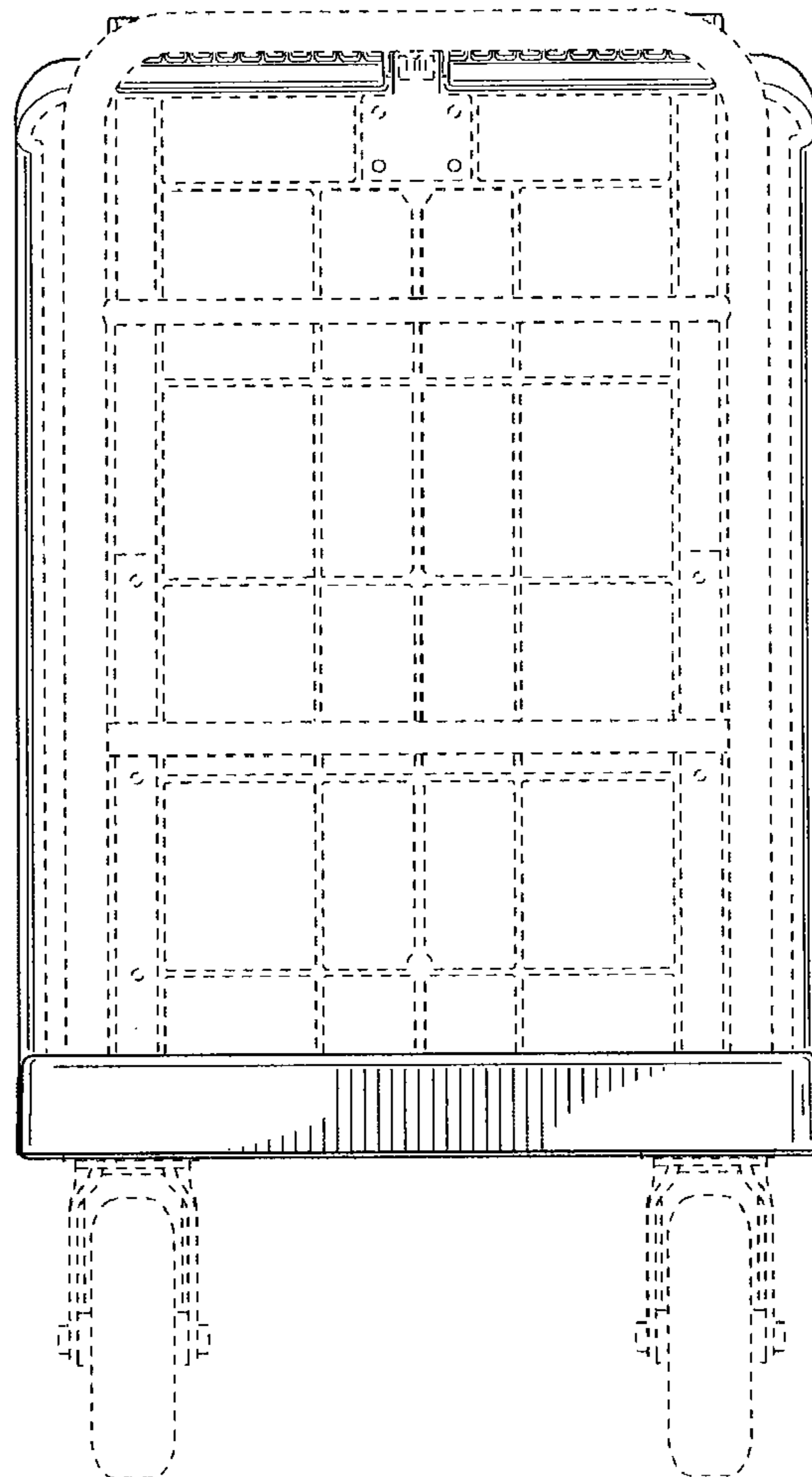


FIG. 11

FIG. 12



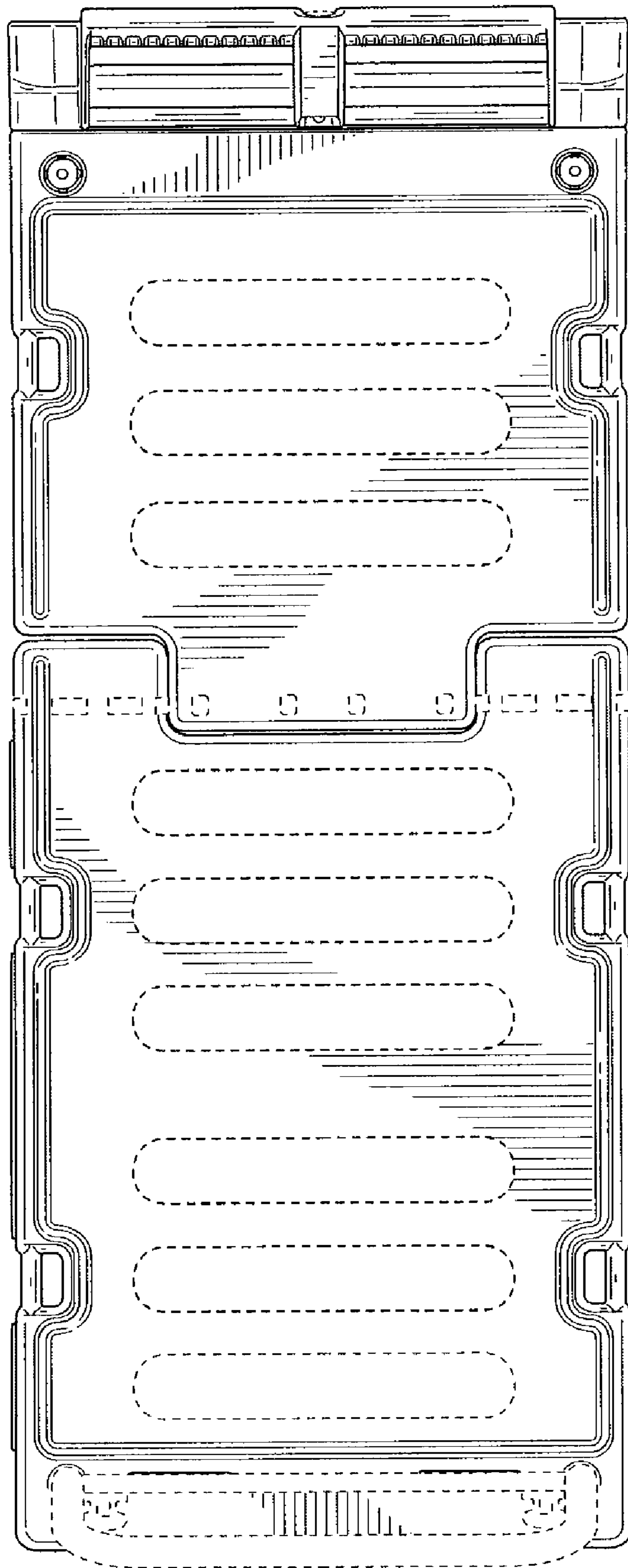


FIG. 13

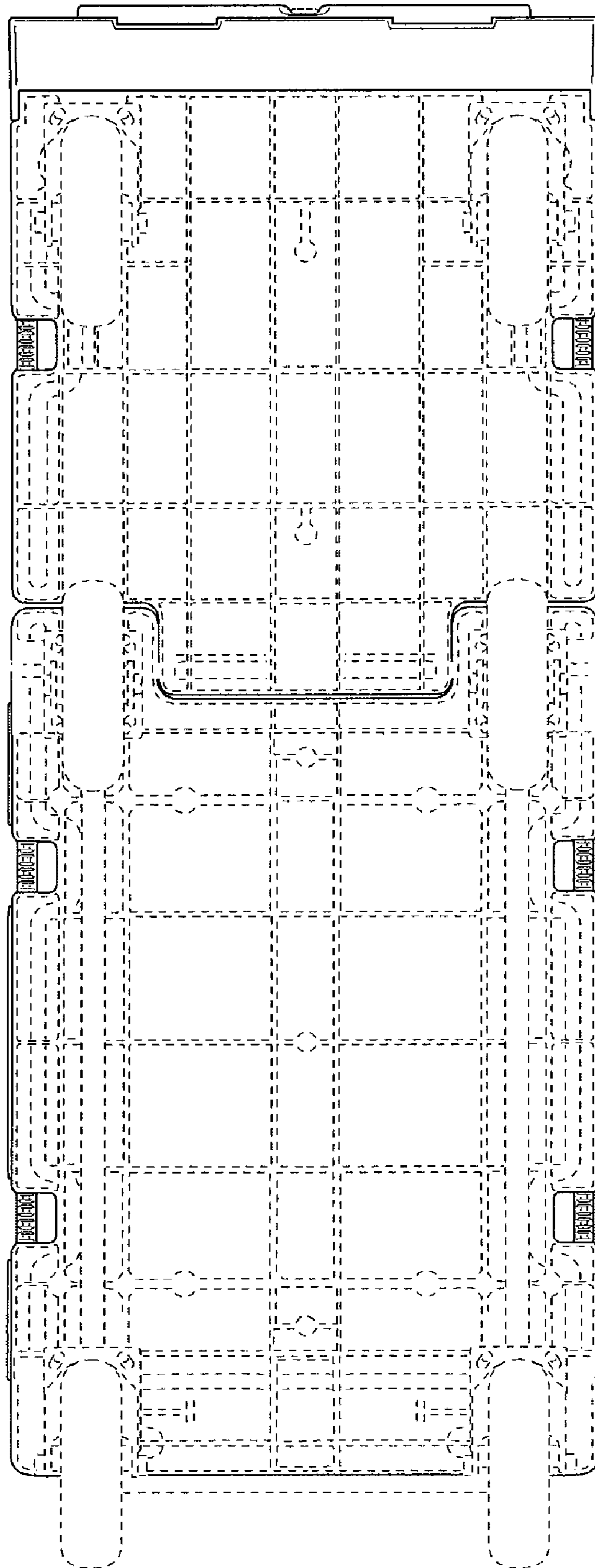


FIG. 14