



US00D618418S

(12) **United States Design Patent**
Catron et al.

(10) **Patent No.:** **US D618,418 S**
(45) **Date of Patent:** **** Jun. 22, 2010**

(54) **UTILITY CART**

(75) Inventors: **Mark Allen Catron**, Superior, CO (US);
Jared Matola, Winchester, VA (US)

(73) Assignee: **Rubbermaid Commercial Products LLC**, Winchester, VA (US)

(**) Term: **14 Years**

(21) Appl. No.: **29/340,754**

(22) Filed: **Jul. 24, 2009**

(51) **LOC (9) Cl.** **12-02**

(52) **U.S. Cl.** **D34/12; D34/17**

(58) **Field of Classification Search** D34/12-27;
D6/445, 446, 448; 280/641, 47.35, 79.3
See application file for complete search history.

(56) **References Cited**

U.S. PATENT DOCUMENTS

4,763,799 A * 8/1988 Cohn et al. 211/187
4,998,023 A * 3/1991 Kitts 280/47.35

(Continued)

Primary Examiner—Cynthia E Ramirez

(74) *Attorney, Agent, or Firm*—Dennis J. Williamson; Moore & Van Allen, PLLC

(57) **CLAIM**

The ornamental design for a utility cart, as shown and described.

DESCRIPTION

FIG. 1 is a perspective view showing an embodiment of our new design for a utility cart;

FIG. 2 is a right side view showing our new design shown in FIG. 1;

FIG. 3 is a left side view showing our new design shown in FIG. 1;

FIG. 4 is a top view showing our new design shown in FIG. 1;

FIG. 5 is a bottom view showing our new design shown in FIG. 1;

FIG. 6 is a front view showing our new design shown in FIG. 1;

FIG. 7 is a back view showing our new design shown in FIG. 1;

FIG. 8 is a perspective view showing a second embodiment of our new design for a utility cart;

FIG. 9 is a right side view showing our new design shown in FIG. 8;

FIG. 10 is a left side view showing our new design shown in FIG. 8;

FIG. 11 is a top view showing our new design shown in FIG. 8;

FIG. 12 is a bottom view showing our new design shown in FIG. 8;

FIG. 13 is a front view showing our new design shown in FIG. 8;

FIG. 14 is a back view showing our new design shown in FIG. 8;

FIG. 15 is a perspective view showing a third embodiment of our new design for a utility cart;

FIG. 16 is a right side view showing our new design shown in FIG. 15;

FIG. 17 is a left side view showing our new design shown in FIG. 15;

FIG. 18 is a top view showing our new design shown in FIG. 15;

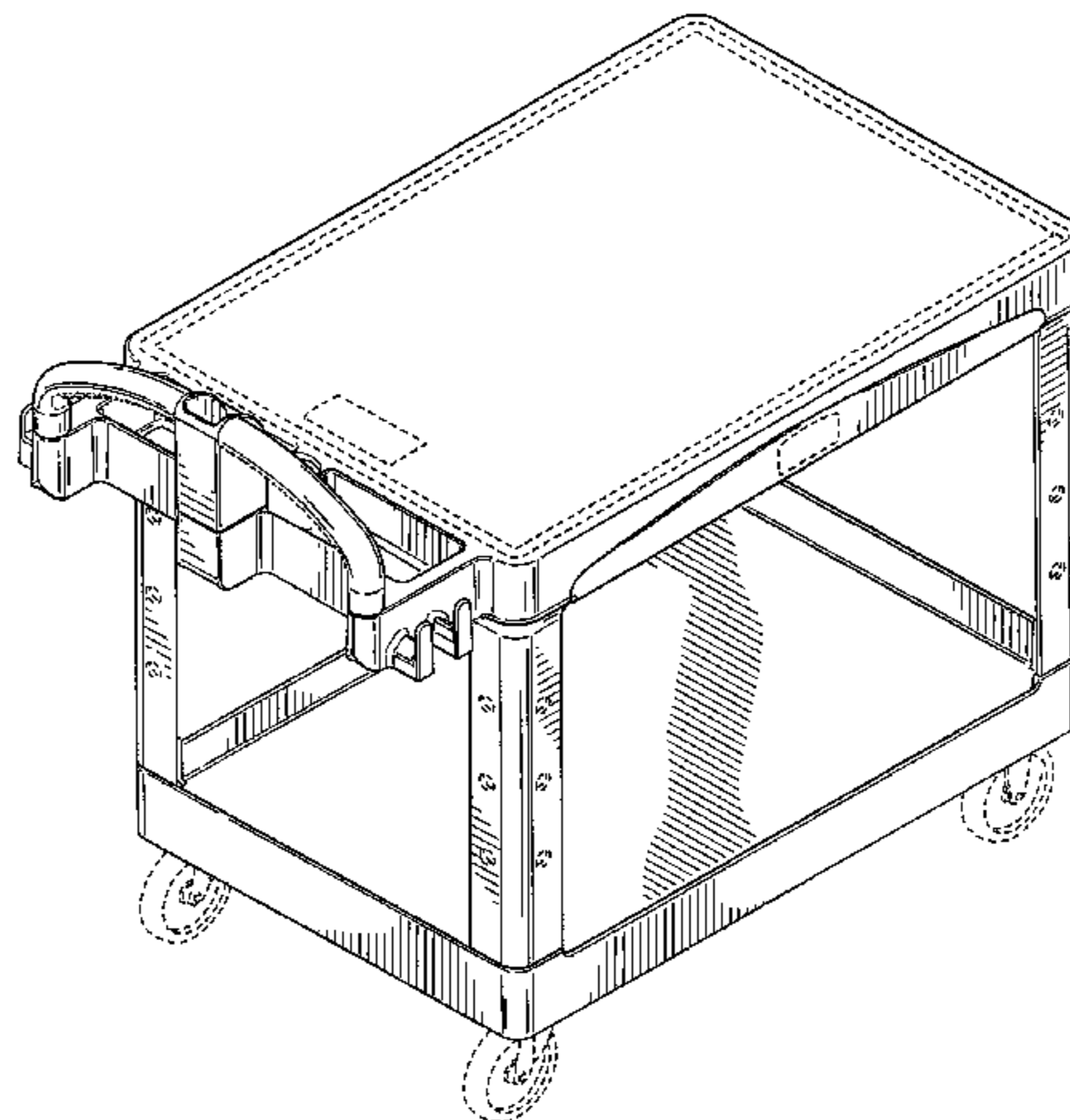
FIG. 19 is a bottom view showing our new design shown in FIG. 15;

FIG. 20 is a front view showing our new design shown in FIG. 15; and,

FIG. 21 is a back view showing our new design shown in FIG. 15.

The portions shown in broken lines are not part of the claimed designs but show the environment in which the designs are associated.

1 Claim, 18 Drawing Sheets



US D618,418 S

Page 2

U.S. PATENT DOCUMENTS

D363,590 S *	10/1995	Kazmerchek et al.	D34/21	D487,604 S *	3/2004	Van LANDINGHAM, Jr.	D34/12
D374,323 S *	10/1996	Carlson et al.	D34/27	D554,323 S *	10/2007	Roth	D34/12
D381,168 S *	7/1997	Delmerico et al.	D34/21	D578,269 S *	10/2008	Van LANDINGHAM, Jr.	D34/17
D391,032 S *	2/1998	Delmerico	D34/21	2004/0212162 A1 *	10/2004	Calmeise et al.	280/47.35
				2004/0227315 A1 *	11/2004	Van LANDINGHAM, Jr. .	280/47.35

* cited by examiner

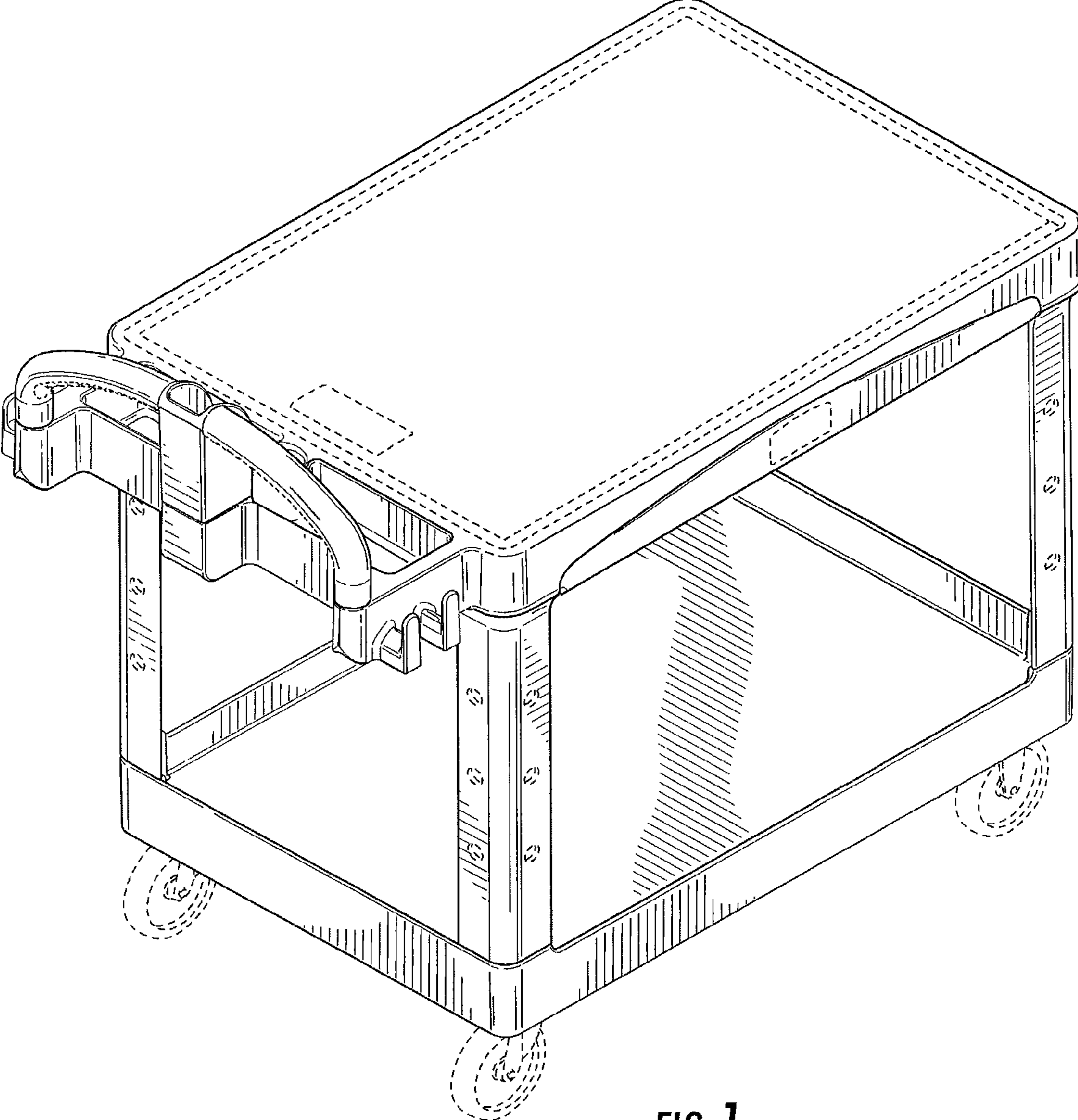


FIG. 1

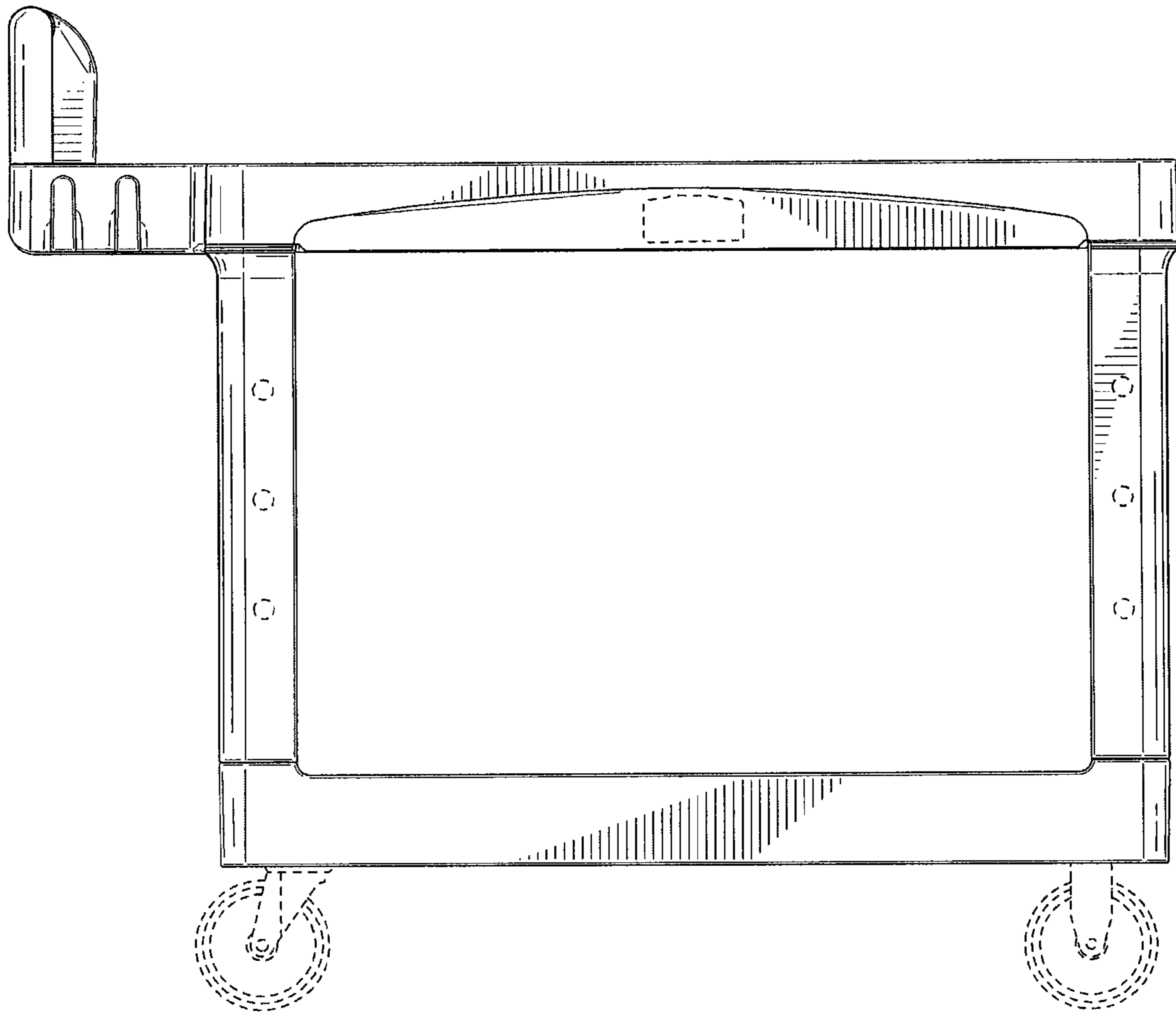


FIG. 2

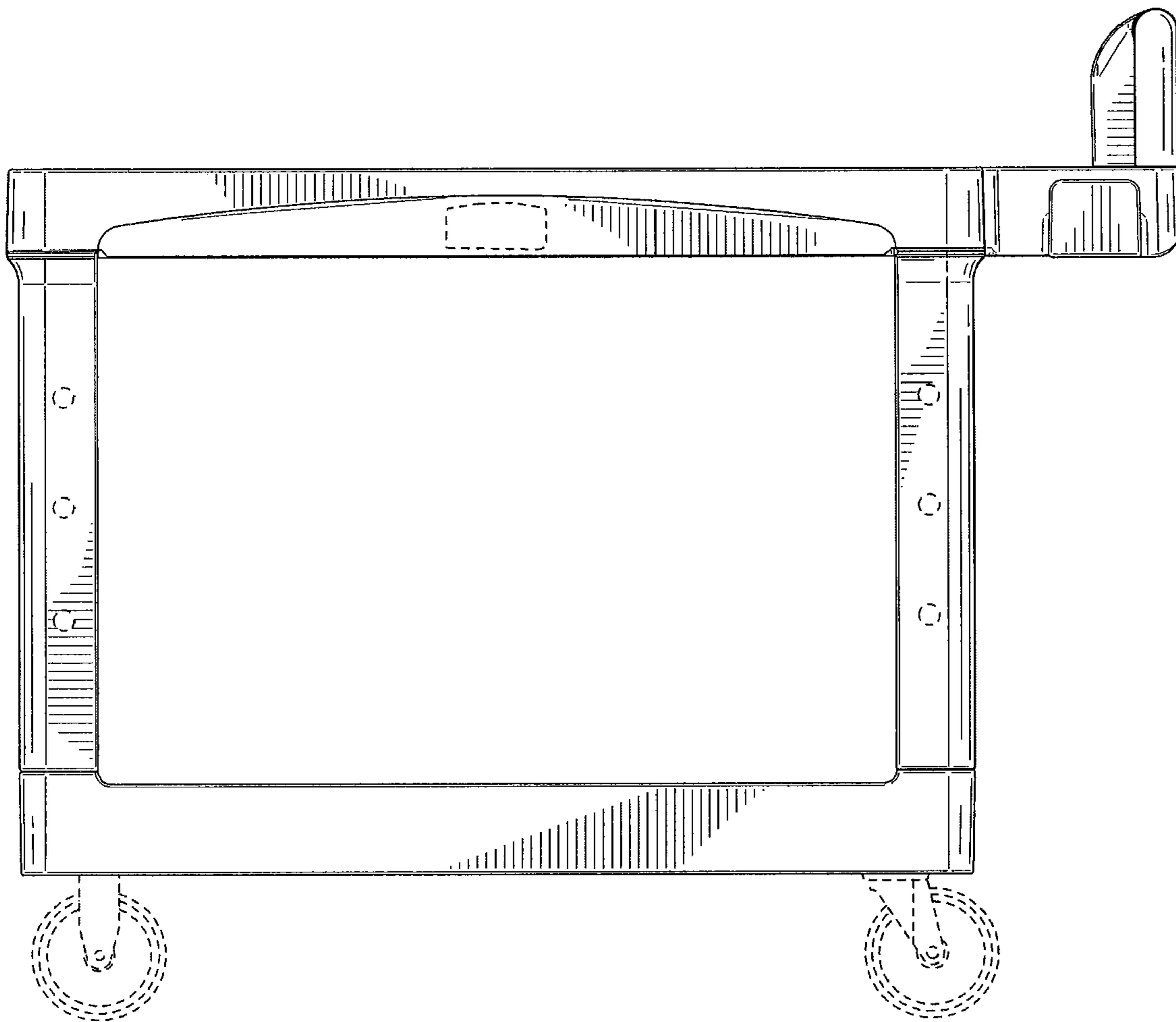


FIG. 3

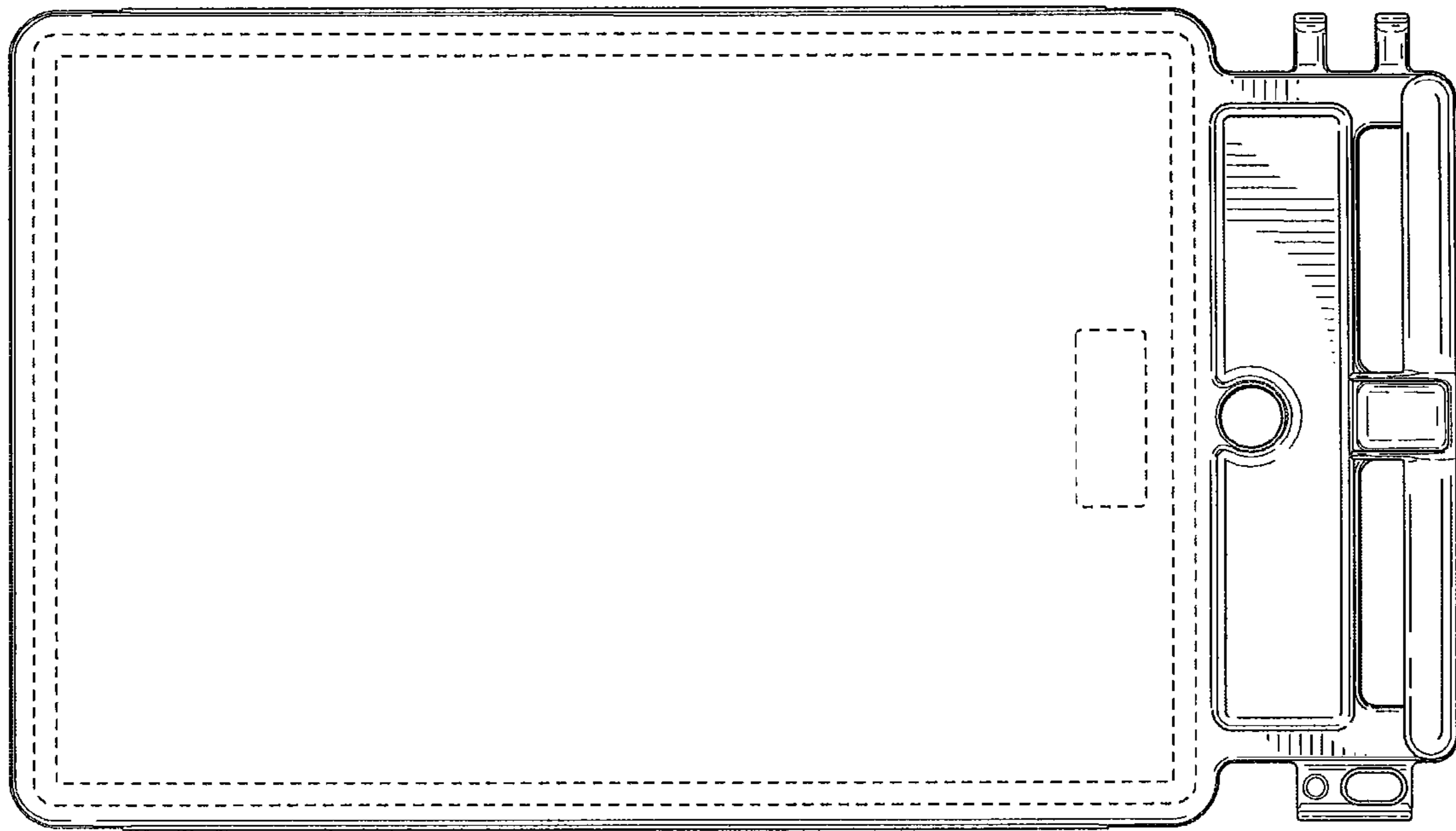


FIG. 4

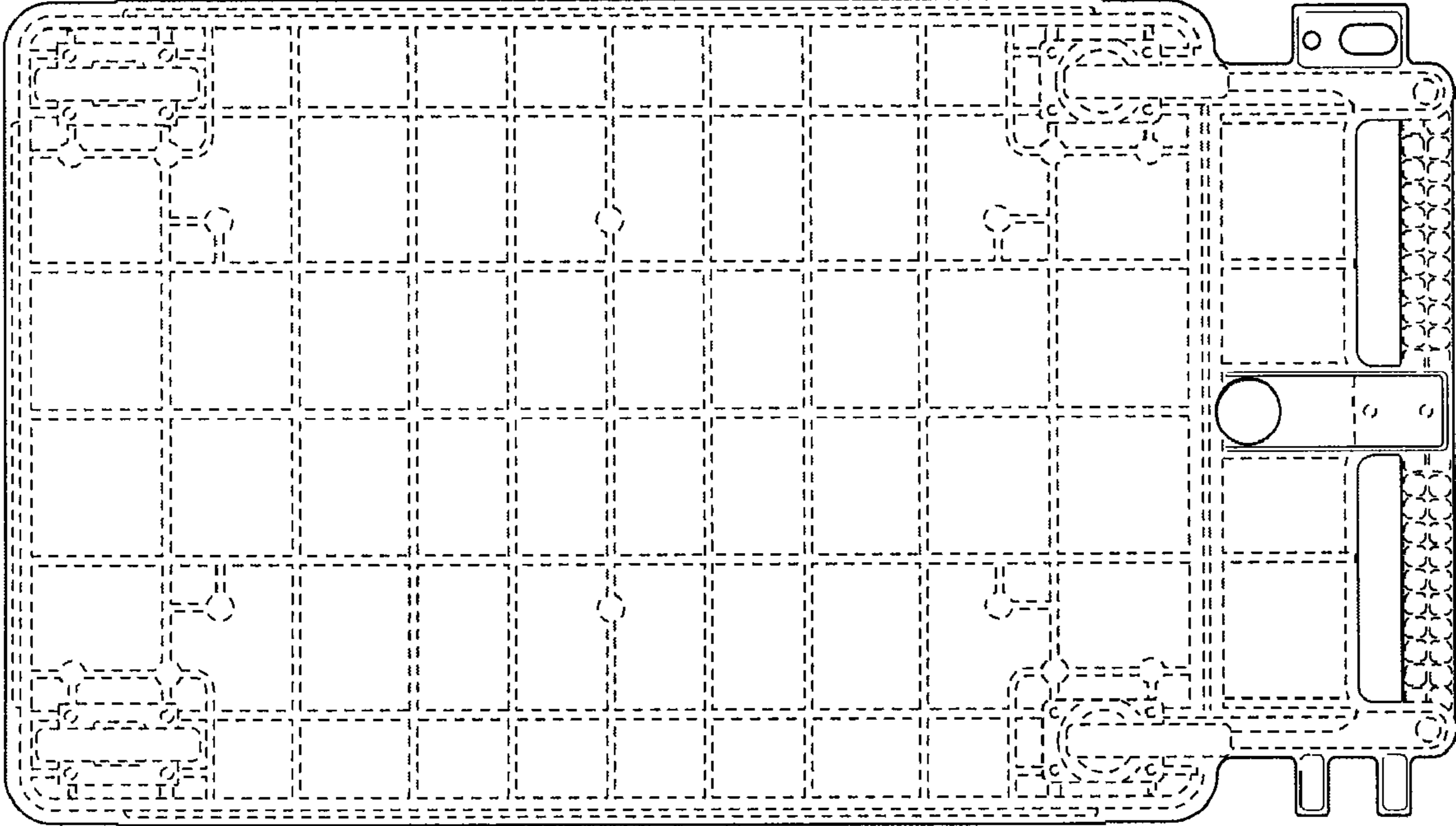


FIG. 5

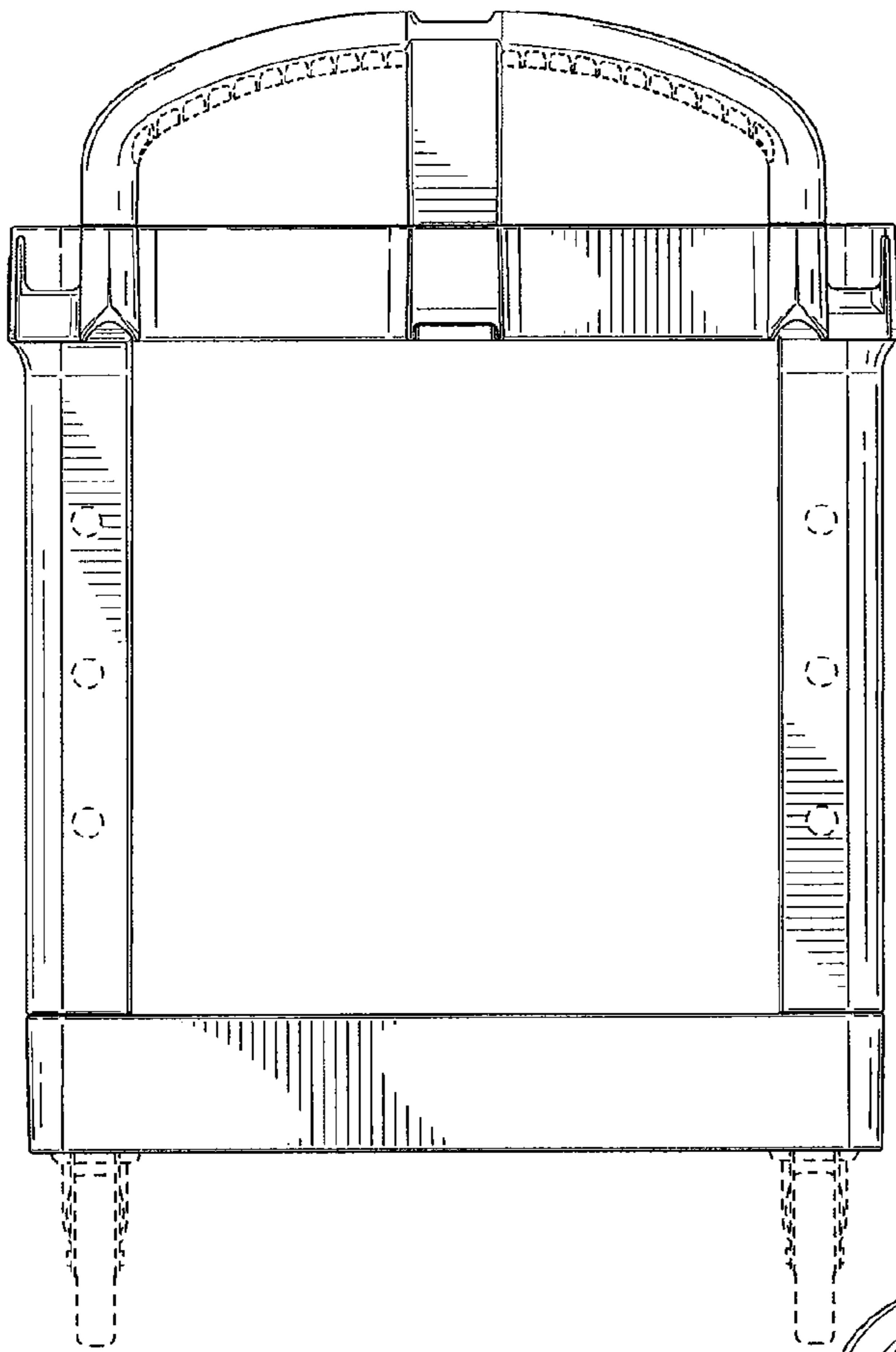


FIG. 6

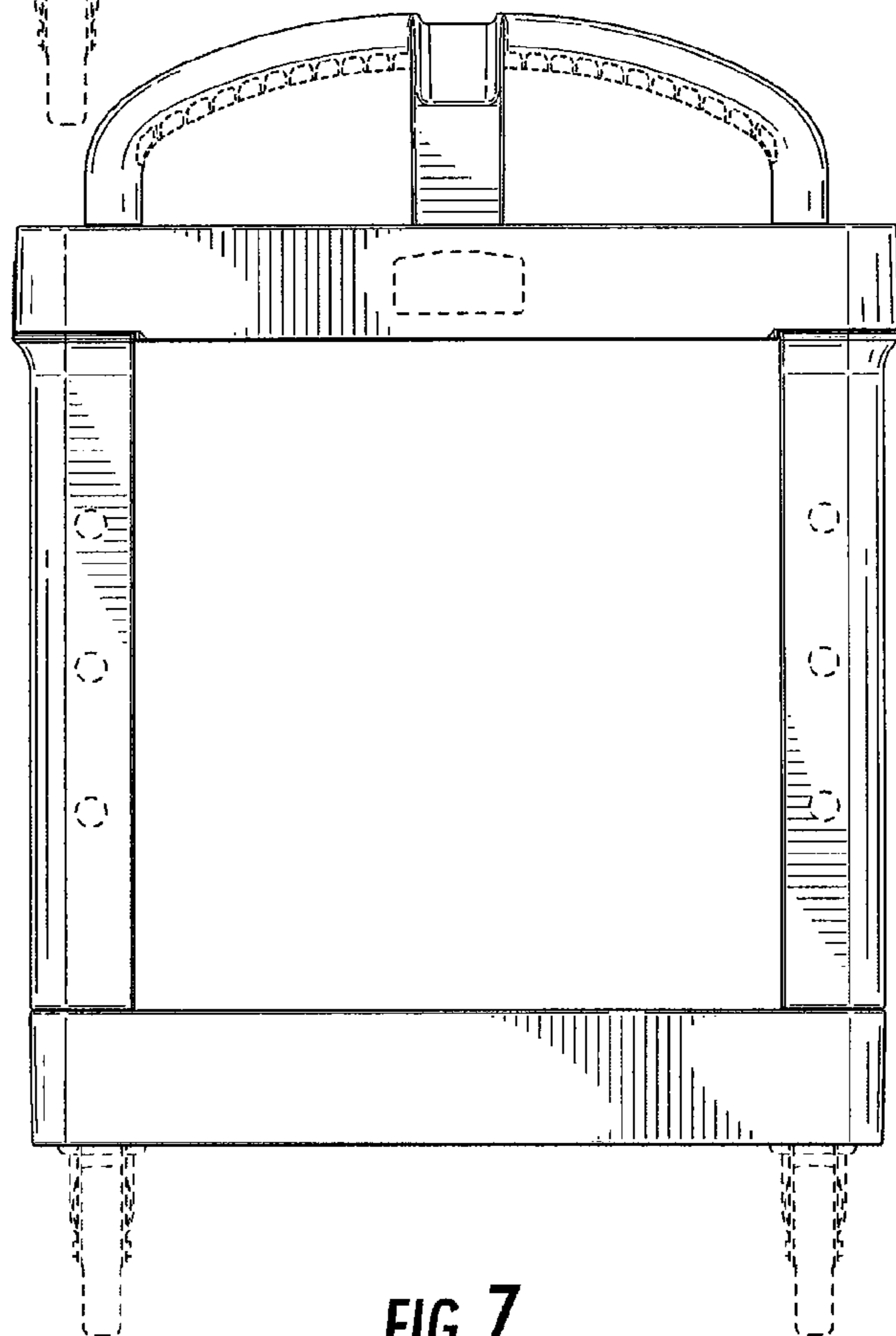


FIG. 7

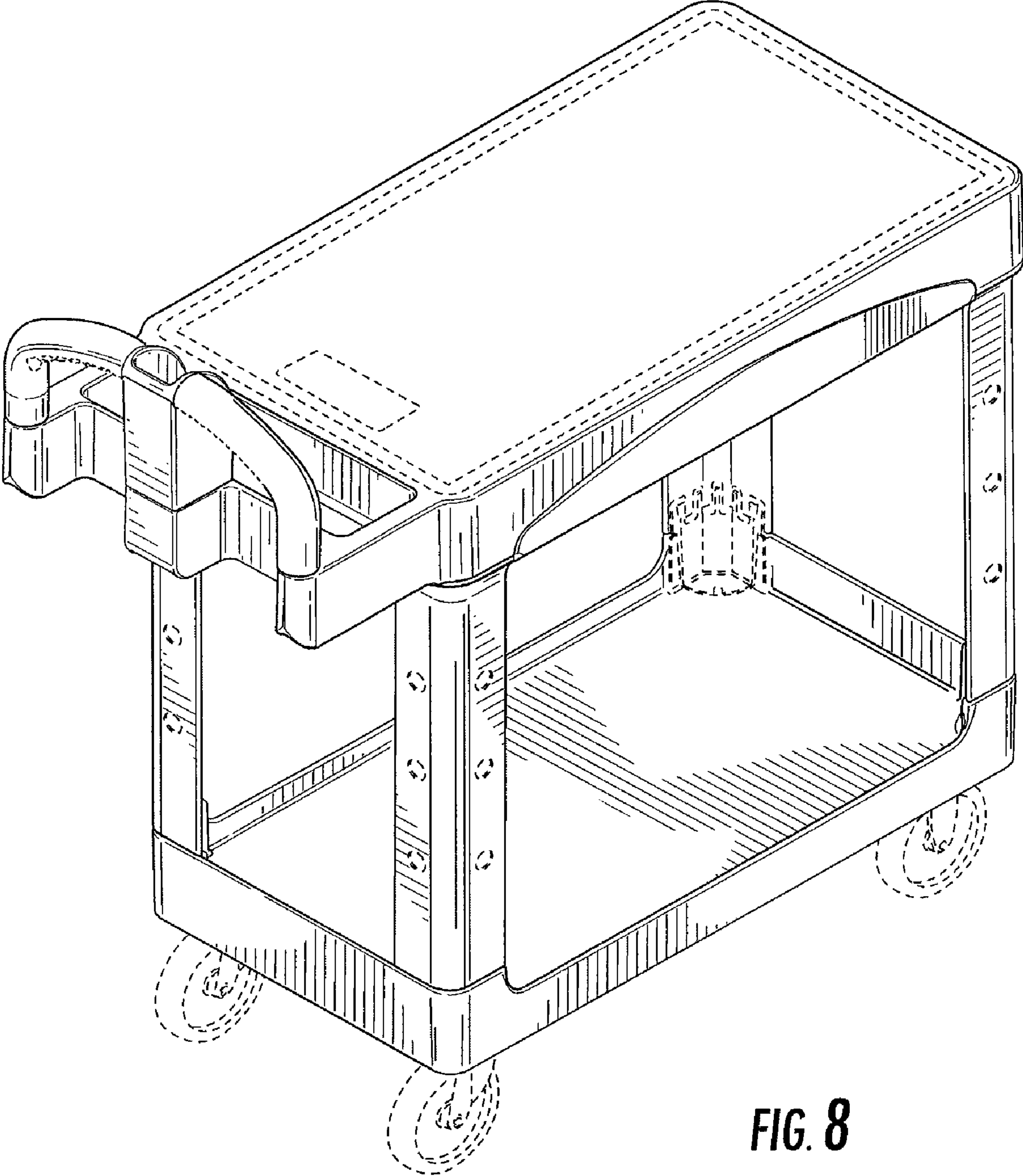


FIG. 8

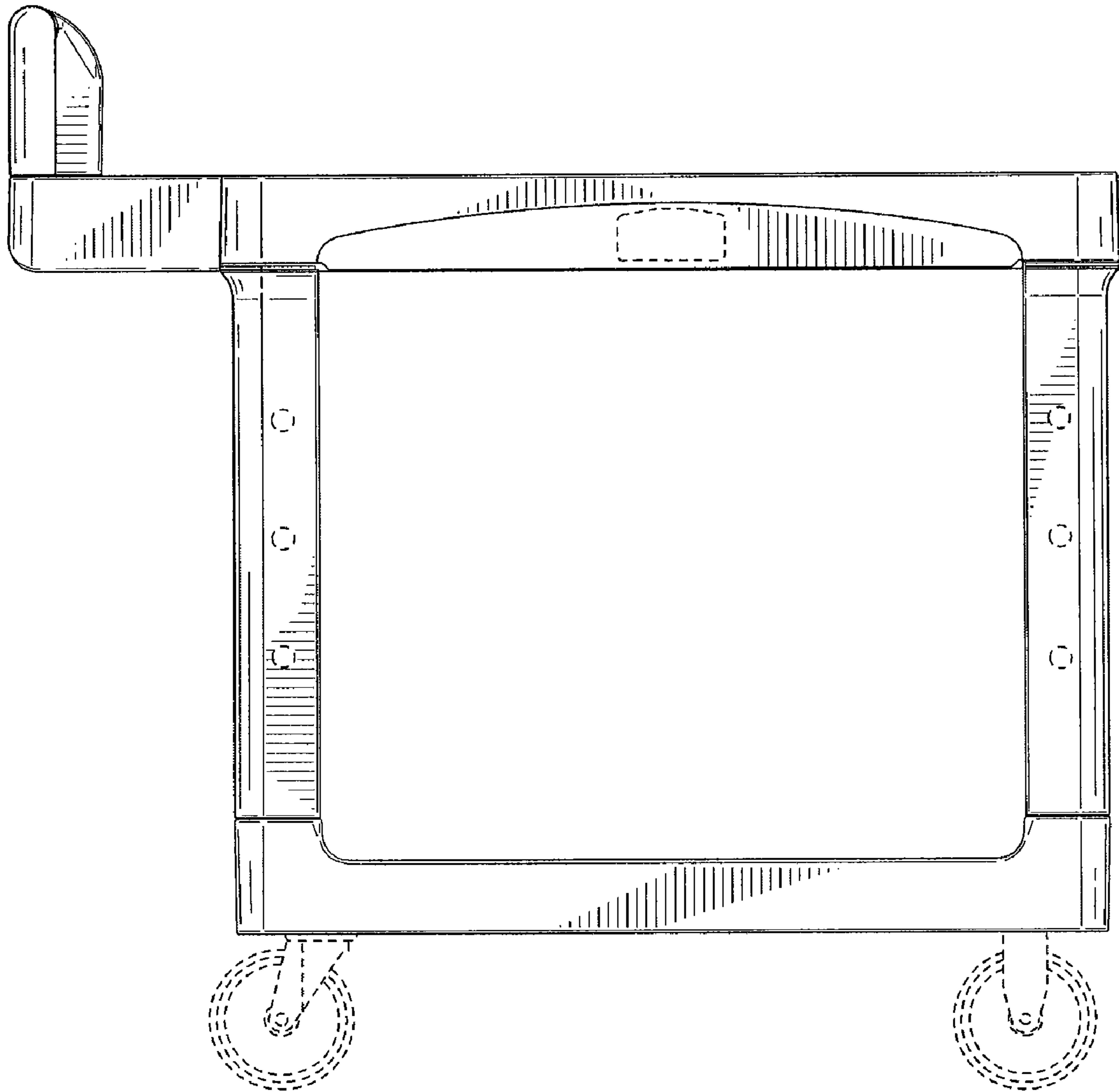


FIG. 9

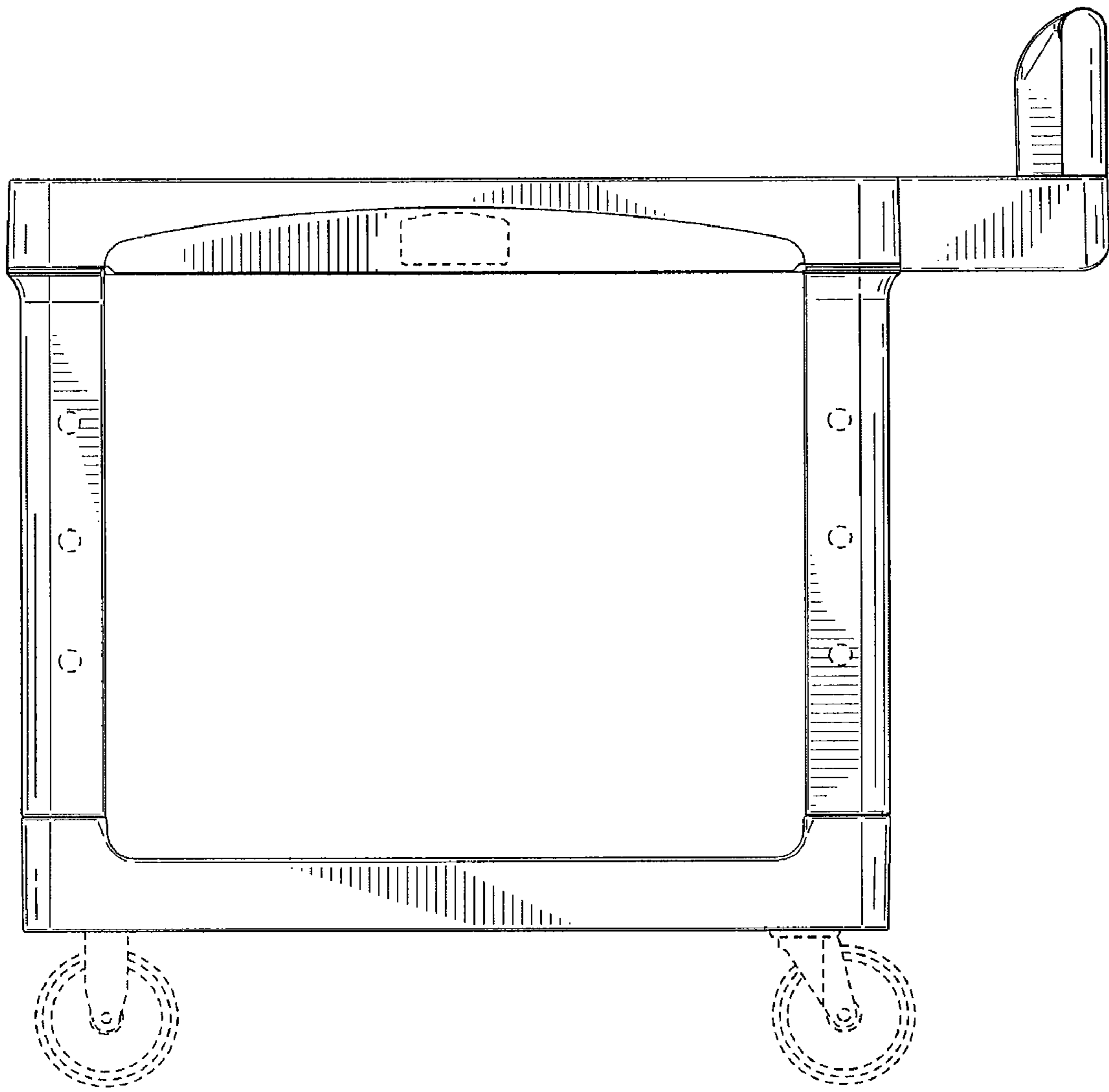


FIG. 10

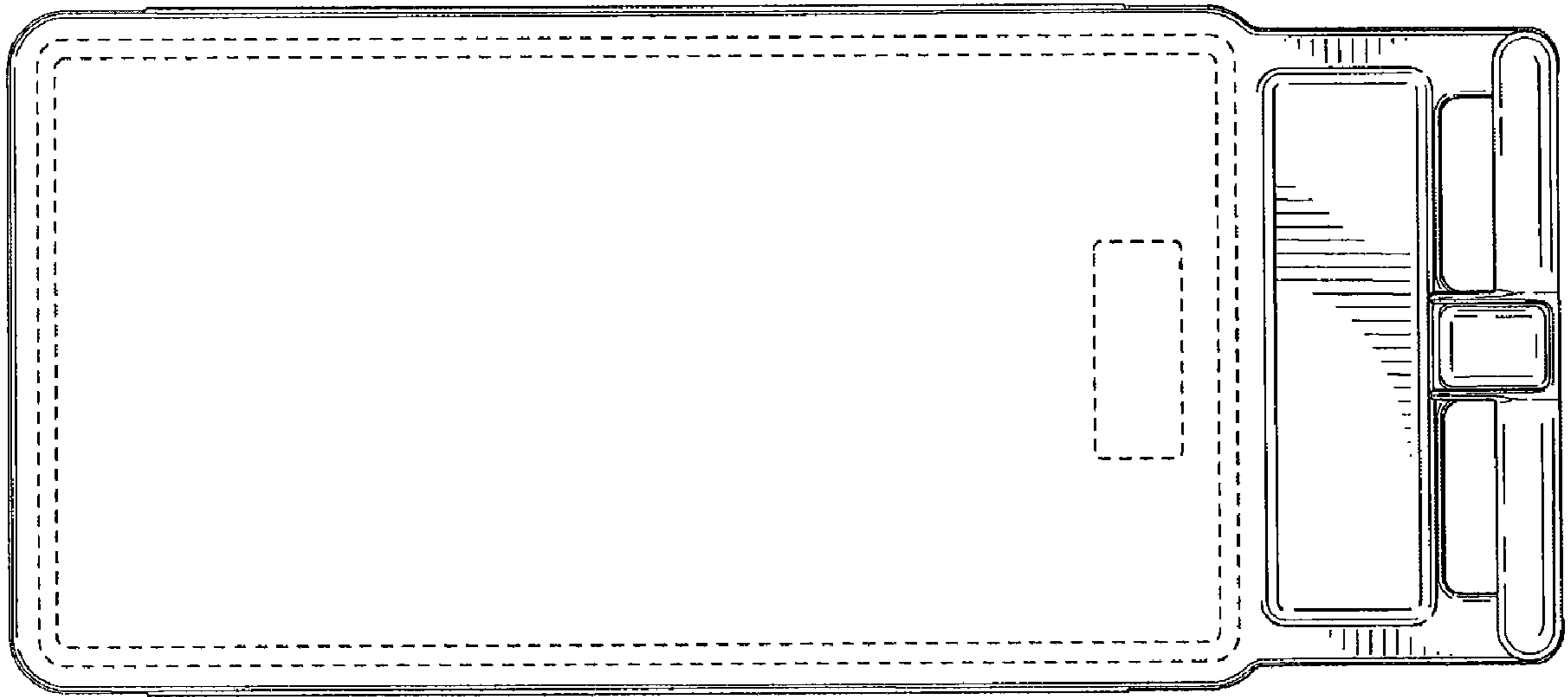


FIG. 11

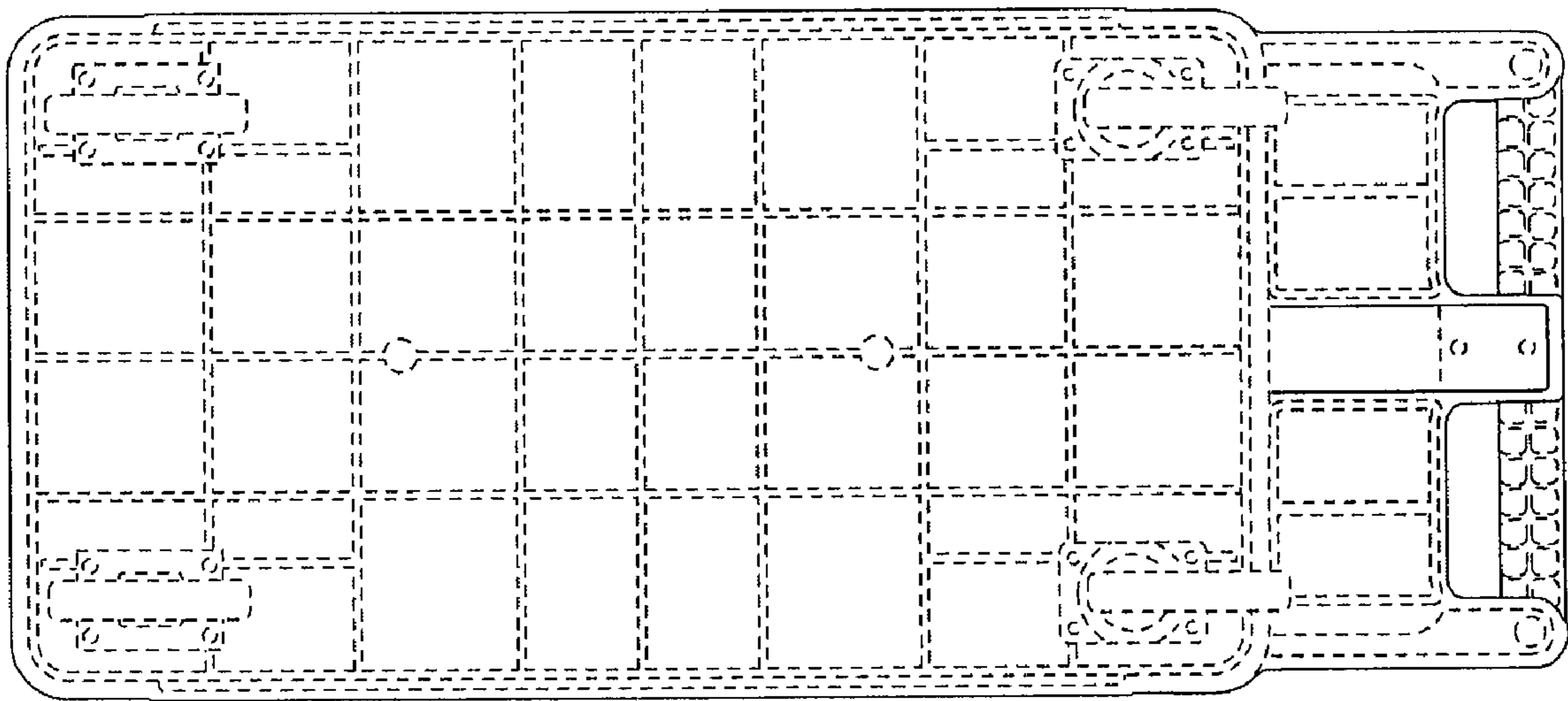


FIG. 12

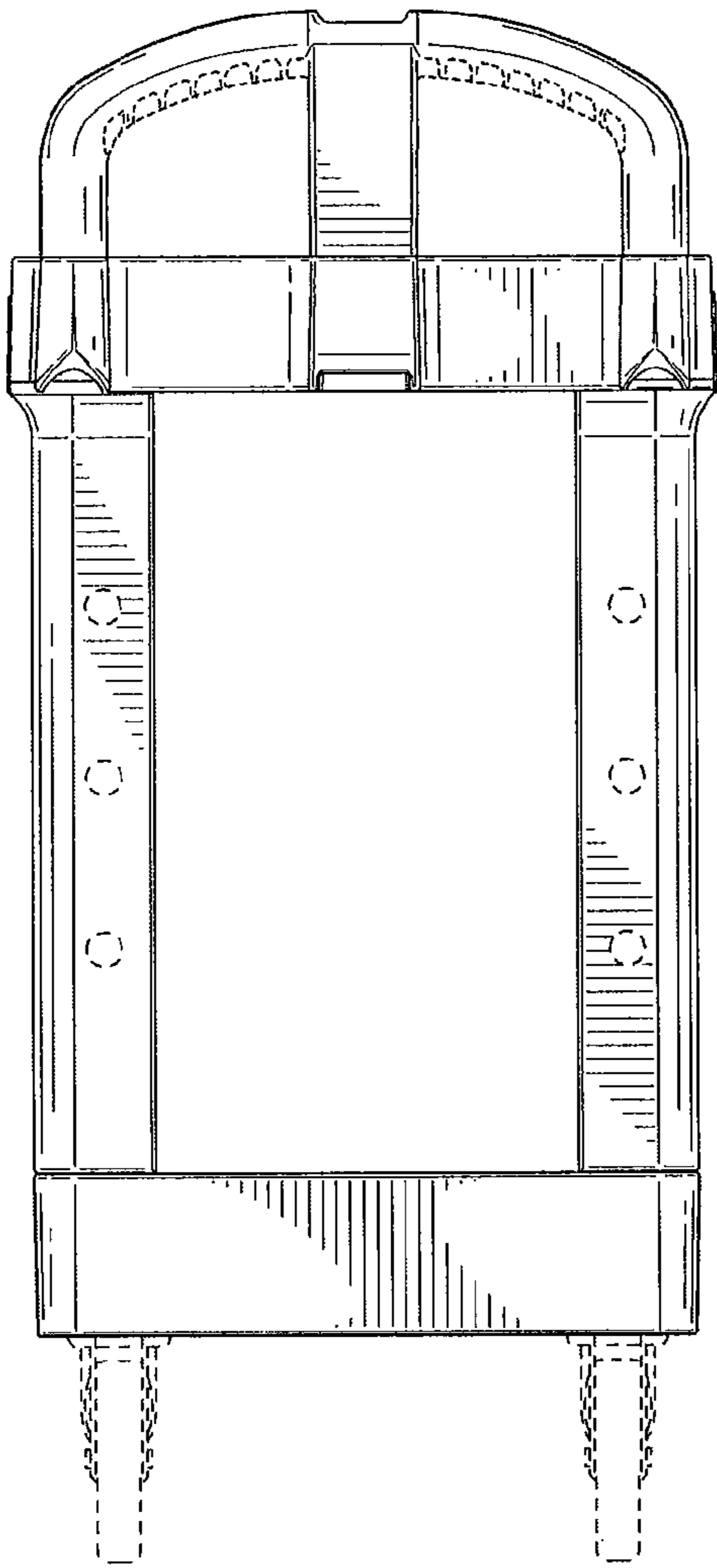


FIG. 13

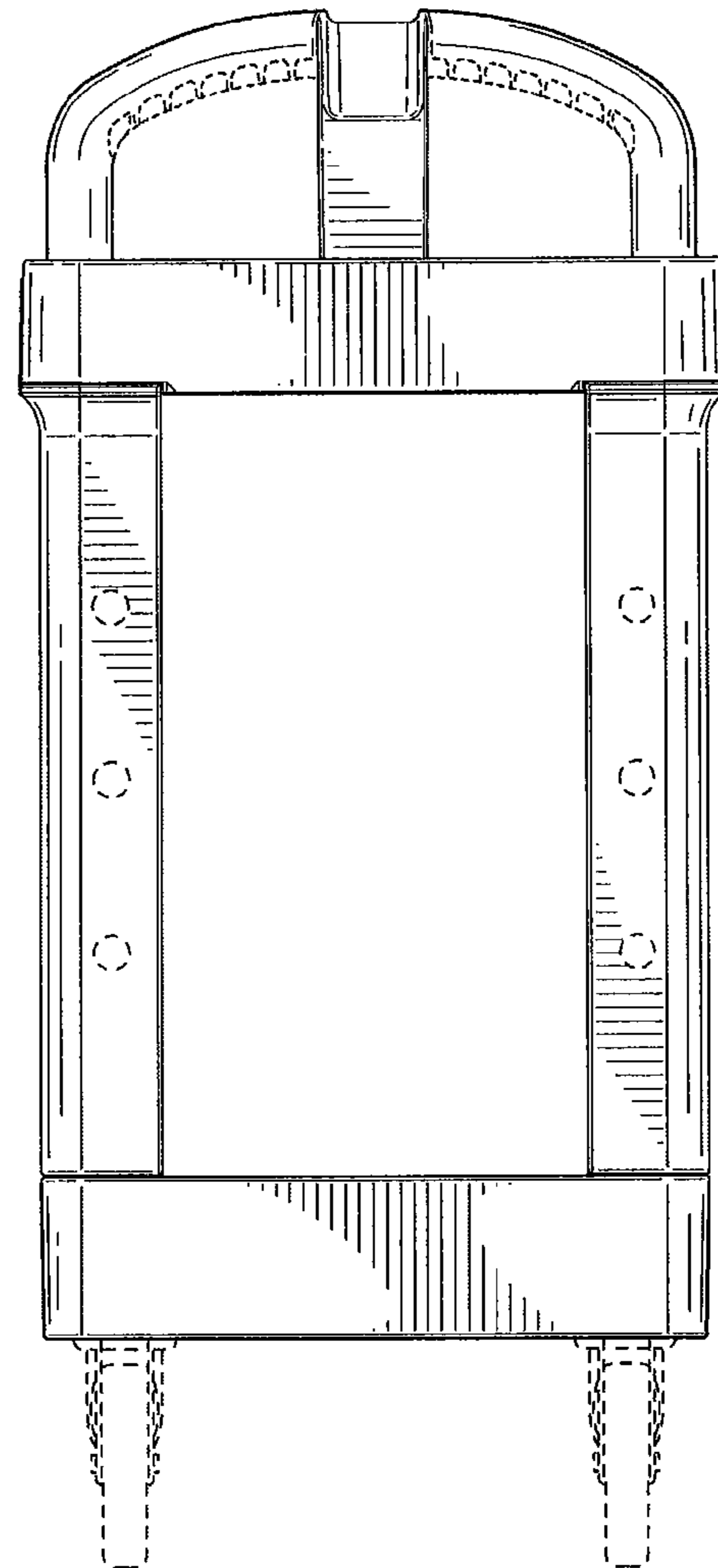


FIG. 14

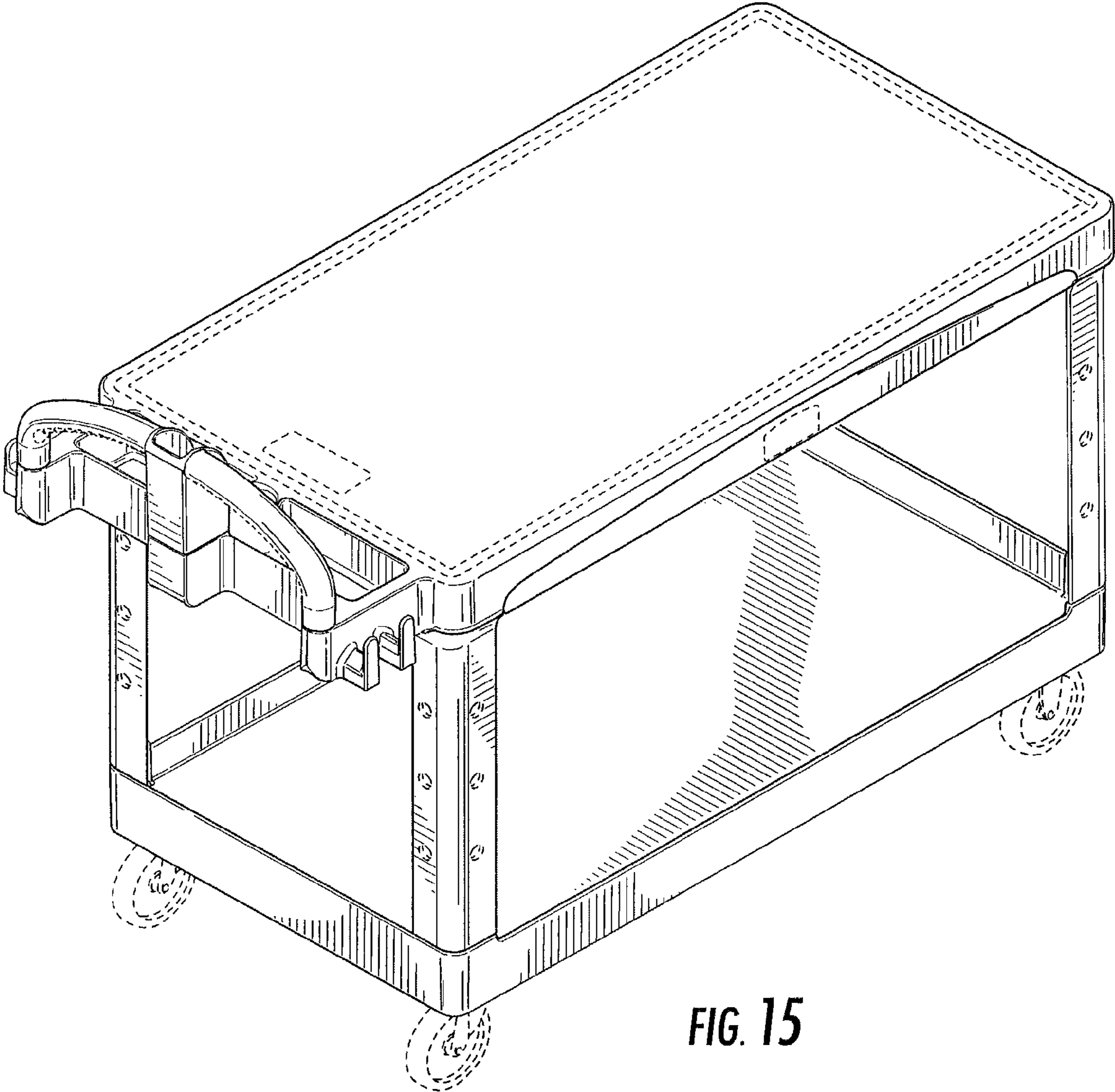


FIG. 15

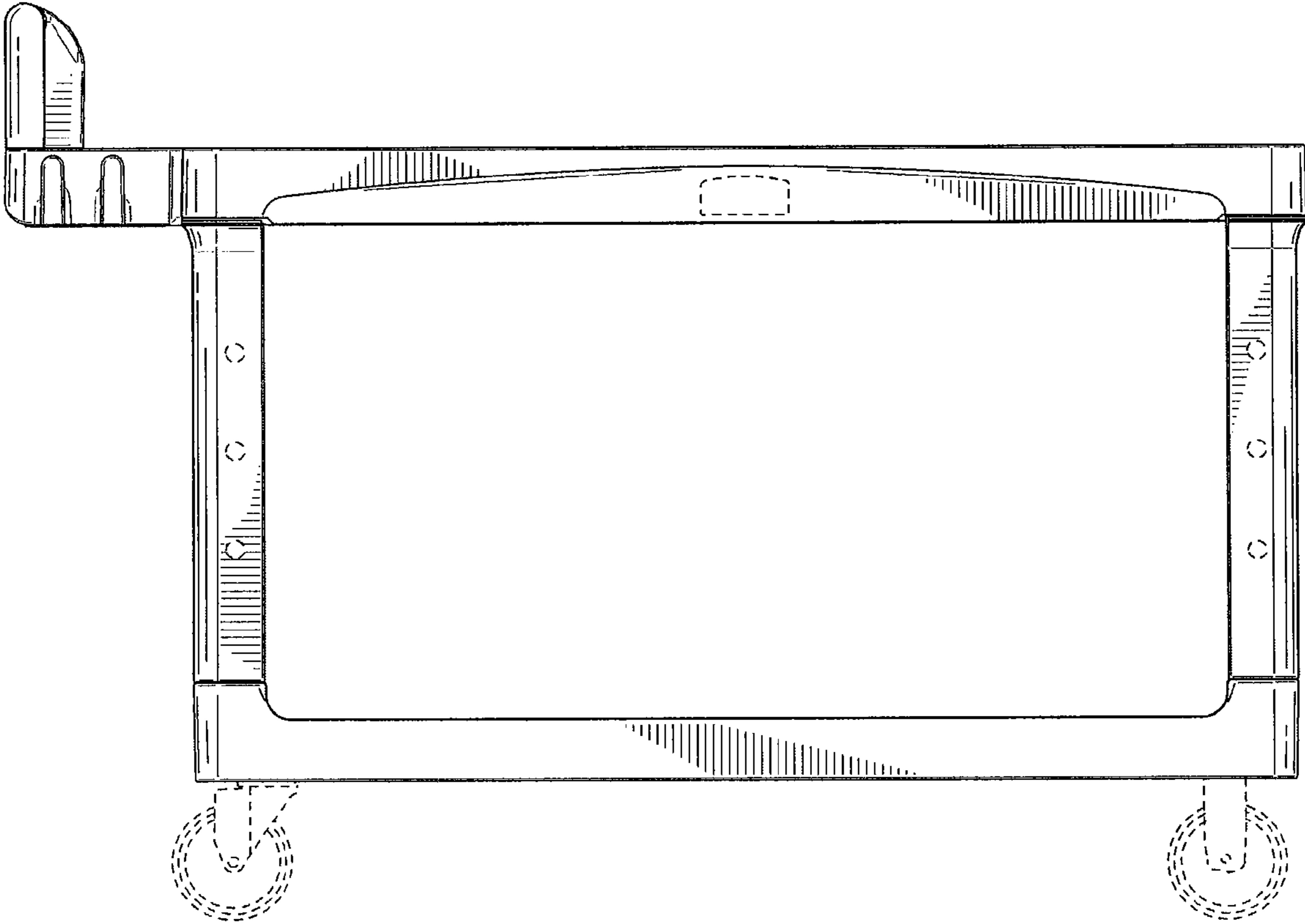


FIG. 16

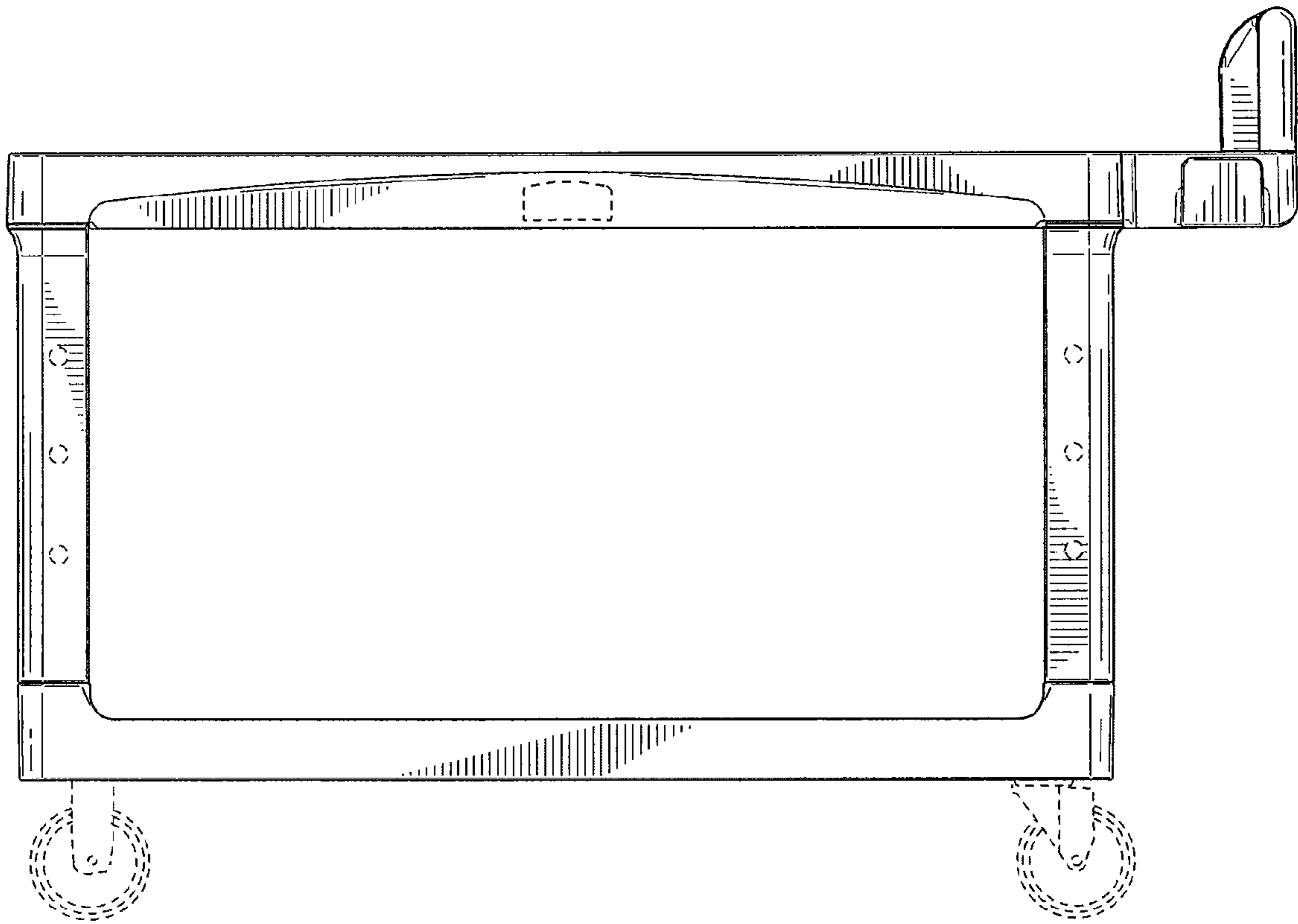


FIG. 17

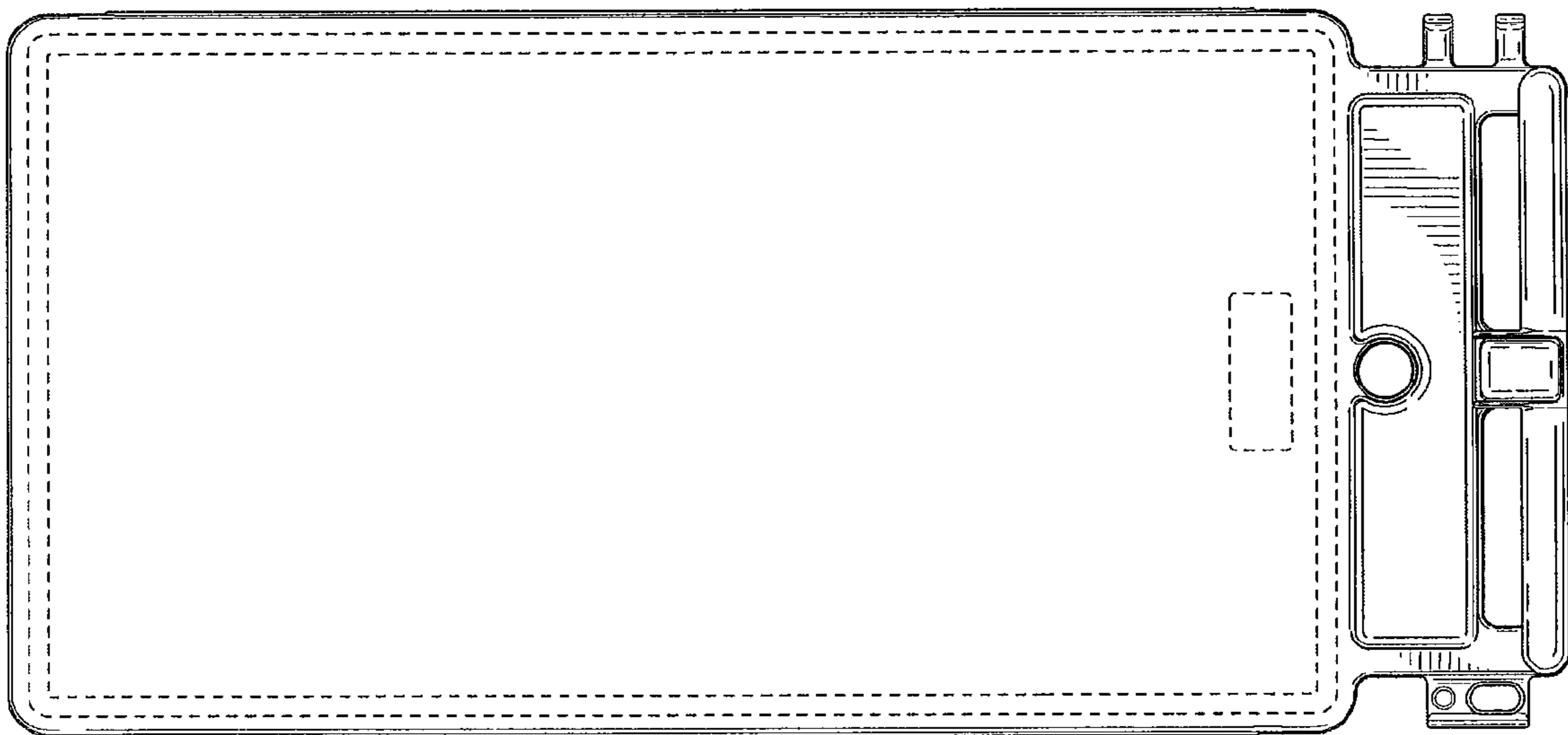


FIG. 18

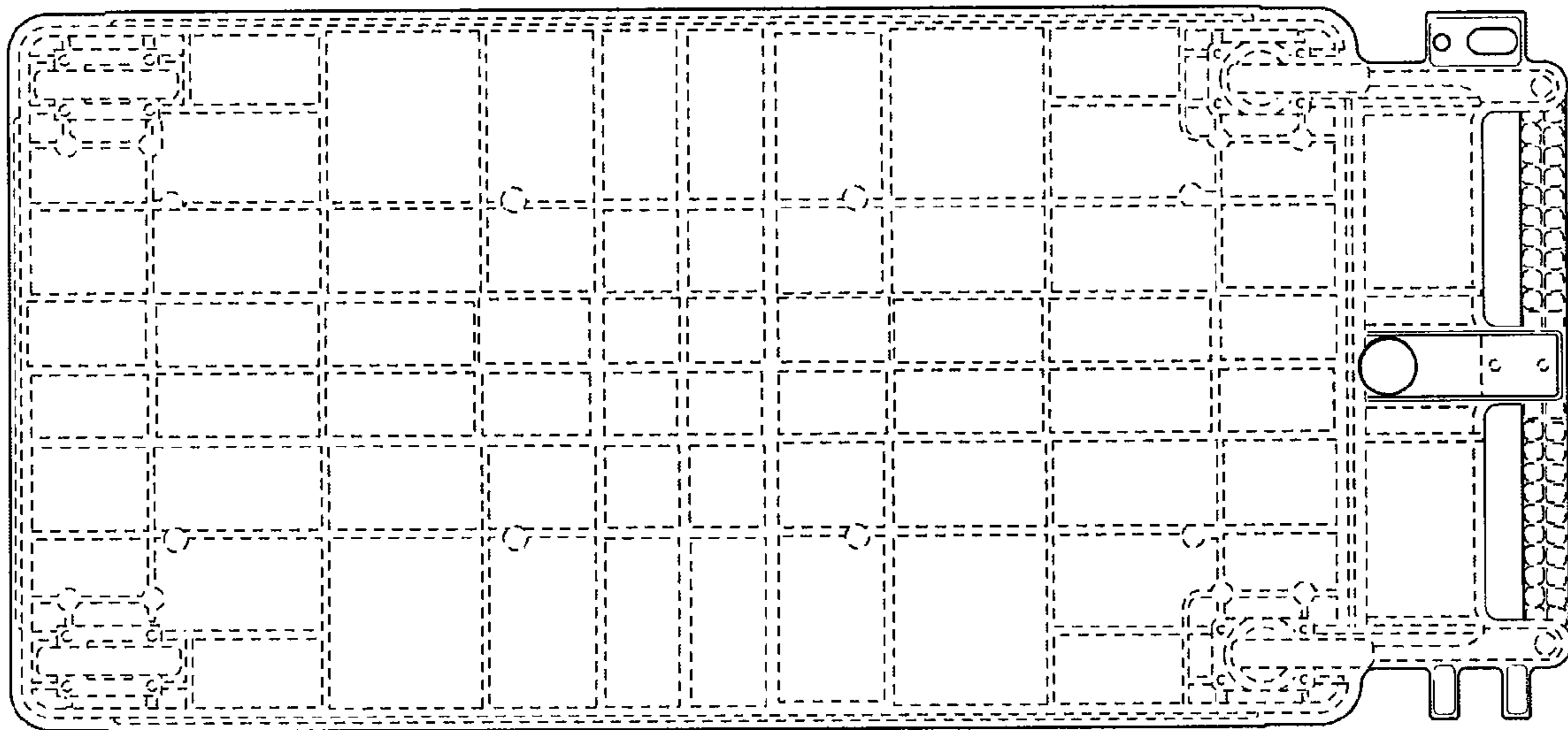


FIG. 19

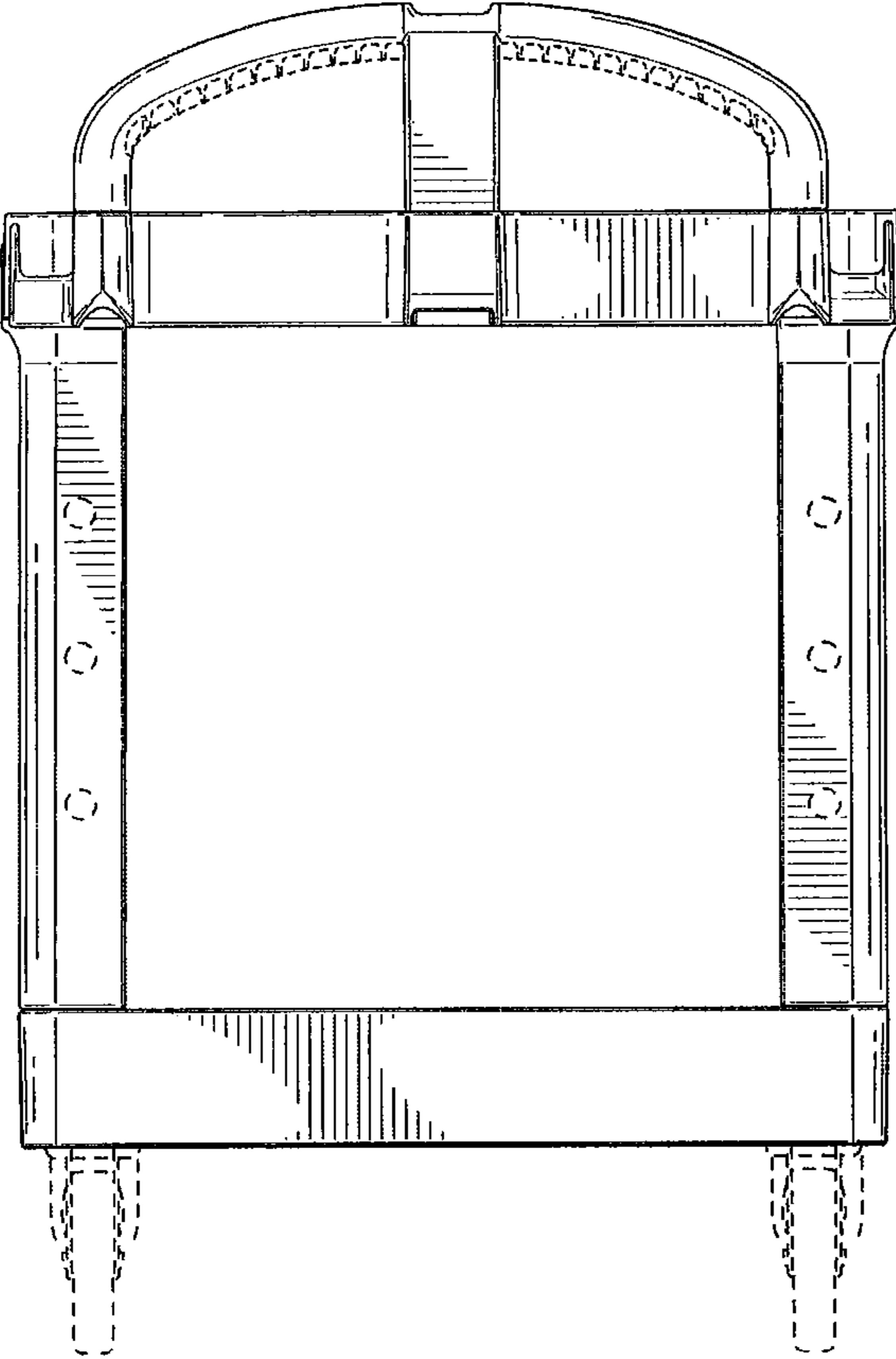


FIG. 20

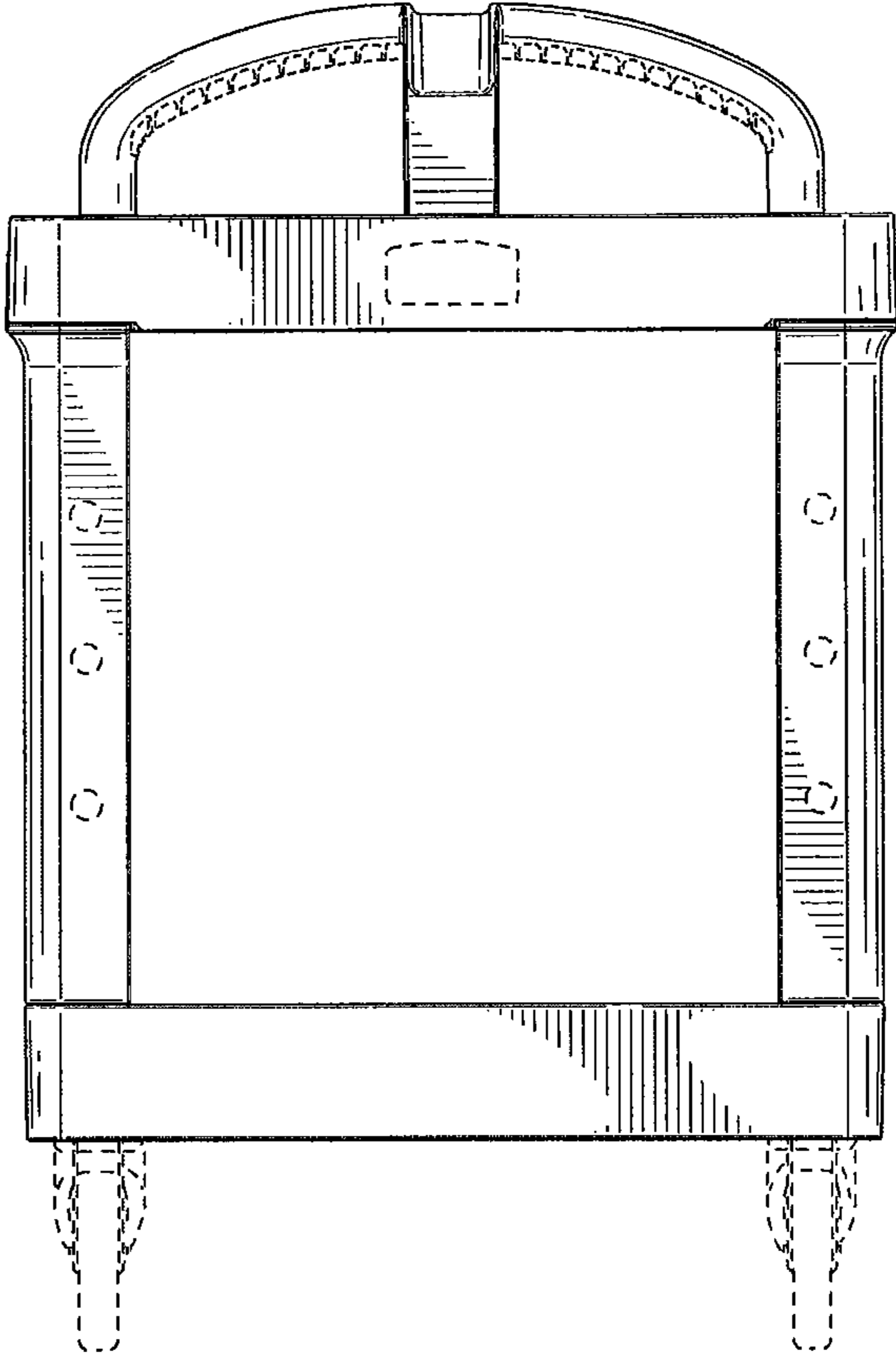


FIG. 21