



US00D618417S

(12) **United States Design Patent**
Presnell

(10) **Patent No.:** **US D618,417 S**
(45) **Date of Patent:** **** Jun. 22, 2010**

(54) **RECEPTACLE**

(75) Inventor: **Donald C. Presnell**, Stephens City, VA (US)

(73) Assignee: **Rubbermaid Commercial Products LLC**, Winchester, VA (US)

(**) Term: **14 Years**

(21) Appl. No.: **29/343,386**

(22) Filed: **Sep. 11, 2009**

(51) **LOC (9) Cl.** **09-09**

(52) **U.S. Cl.** **D34/7**

(58) **Field of Classification Search** D34/1-11;
220/908-913, 500

See application file for complete search history.

(56) **References Cited**

U.S. PATENT DOCUMENTS

5,018,876	A *	5/1991	Mennella	383/1
D332,681	S *	1/1993	Waterson et al.	D34/7
D332,850	S *	1/1993	Brussing	D34/7
5,184,744	A *	2/1993	Paulison	220/23.4
D351,698	S *	10/1994	Brussing	D34/1
D355,740	S *	2/1995	Kirchner	D34/1
D535,447	S *	1/2007	Olivetti	D34/1
D540,500	S *	4/2007	Kang et al.	D34/1
D584,467	S *	1/2009	Tuncel	D34/7

* cited by examiner

Primary Examiner—Cynthia E Ramirez

(74) *Attorney, Agent, or Firm*—Dennis J. Williamson; Moore & Van Allen, PLLC

(57) **CLAIM**

I claim the ornamental design for a receptacle, as shown and described.

DESCRIPTION

FIG. 1 is a perspective view of my new design for a receptacle;

FIG. 2 is a front view showing my new design shown in FIG. 1;

FIG. 3 is a back view showing my new design shown in FIG. 1;

FIG. 4 is a top view showing my new design shown in FIG. 1;

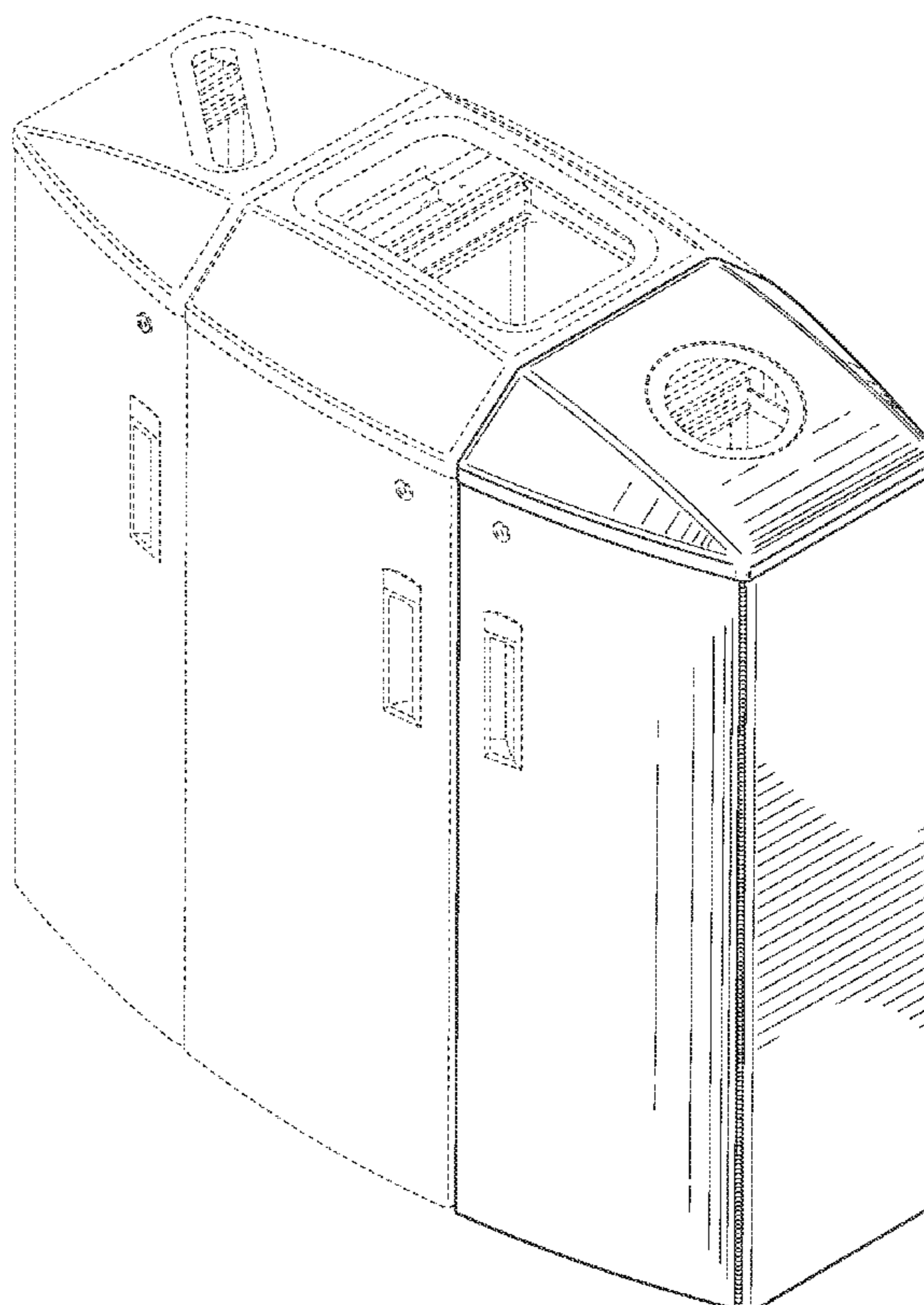
FIG. 5 is a right side view showing my new design shown in FIG. 1;

FIG. 6 is a left side view showing my new design shown in FIG. 1; and,

FIG. 7 is a bottom view showing my new design shown in FIG. 1.

The portions shown in broken lines are not part of the claimed design but show the environment in which the design is associated.

1 Claim, 6 Drawing Sheets



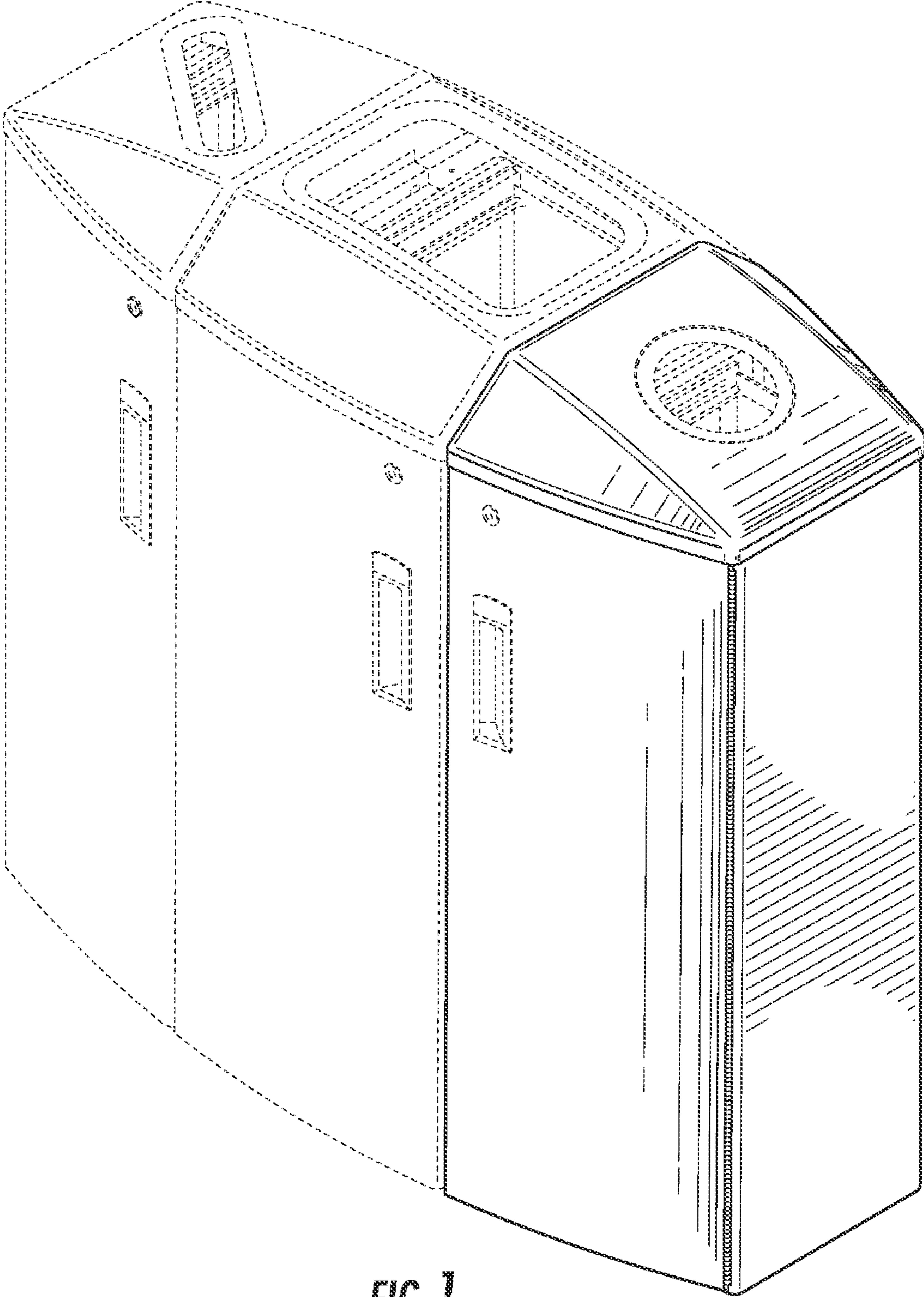


FIG. 1

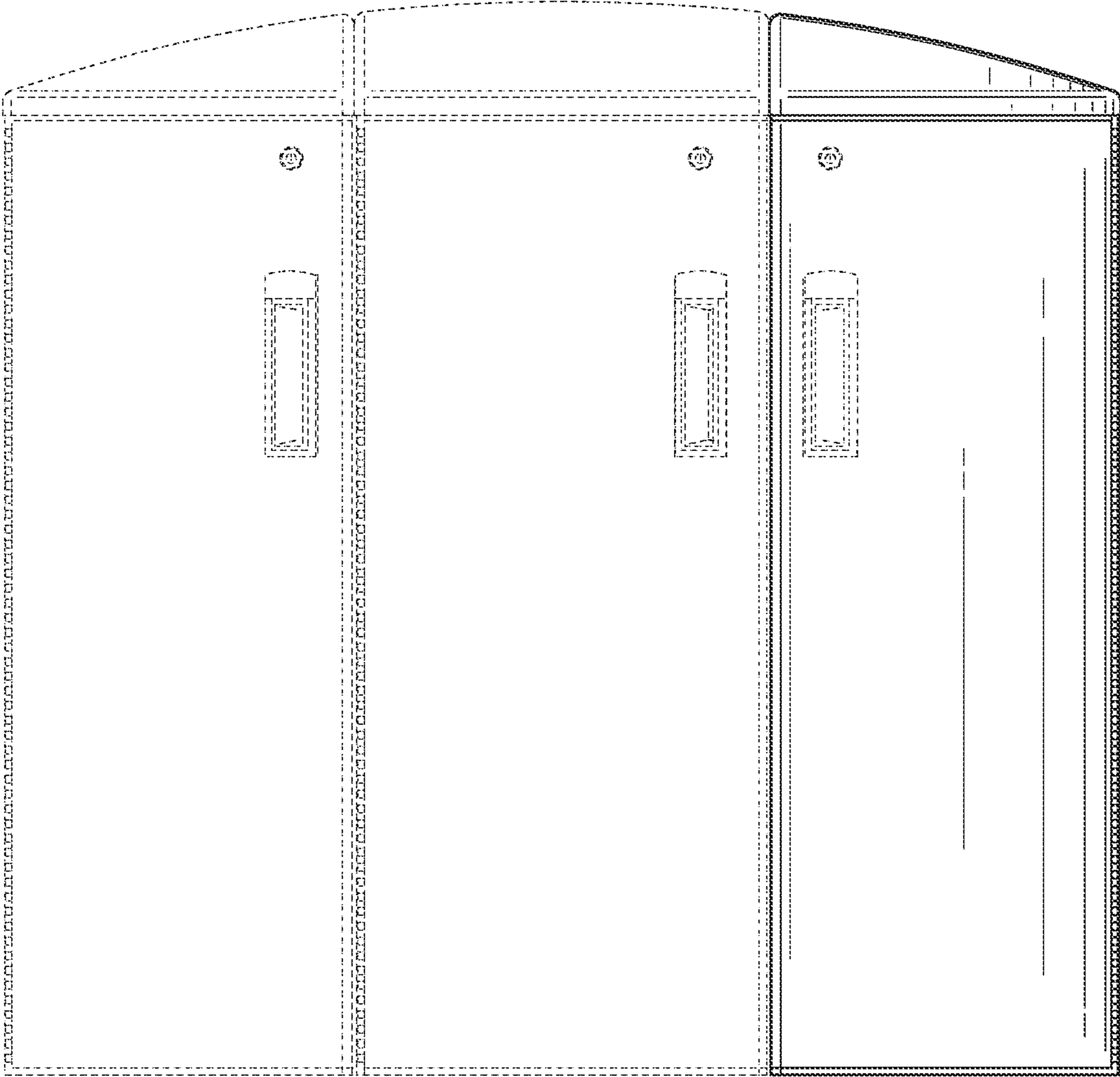


FIG. 2

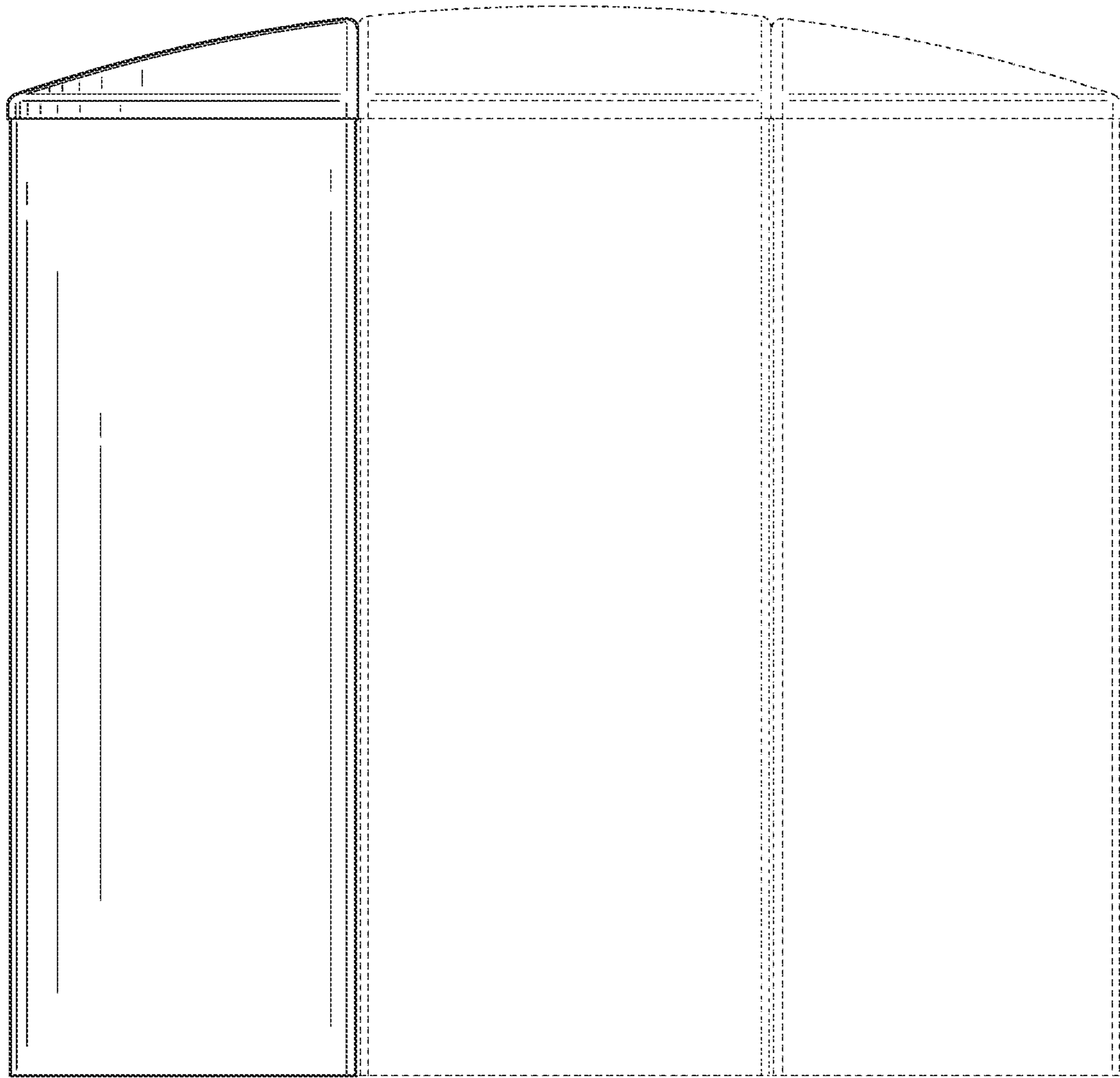


FIG. 3

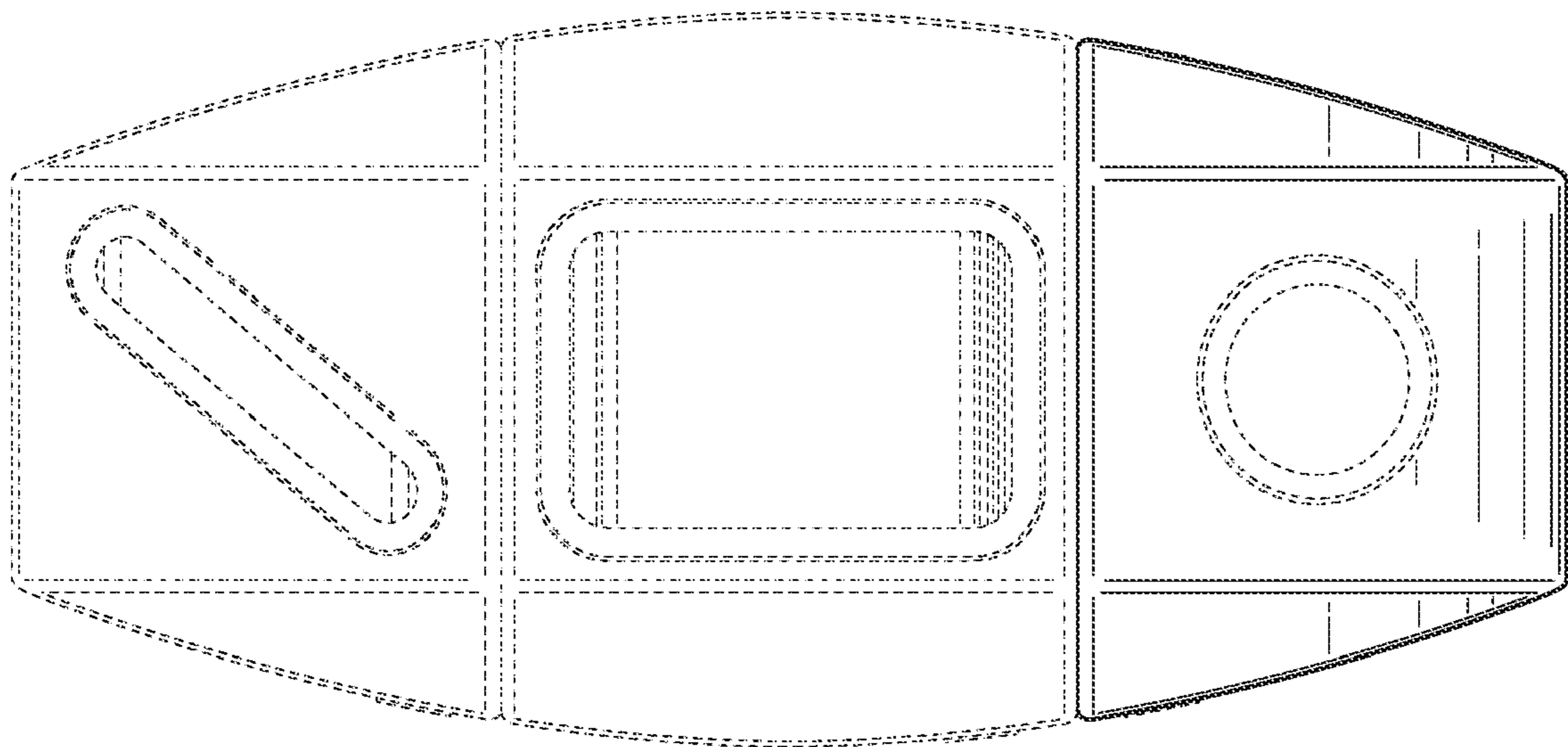


FIG. 4

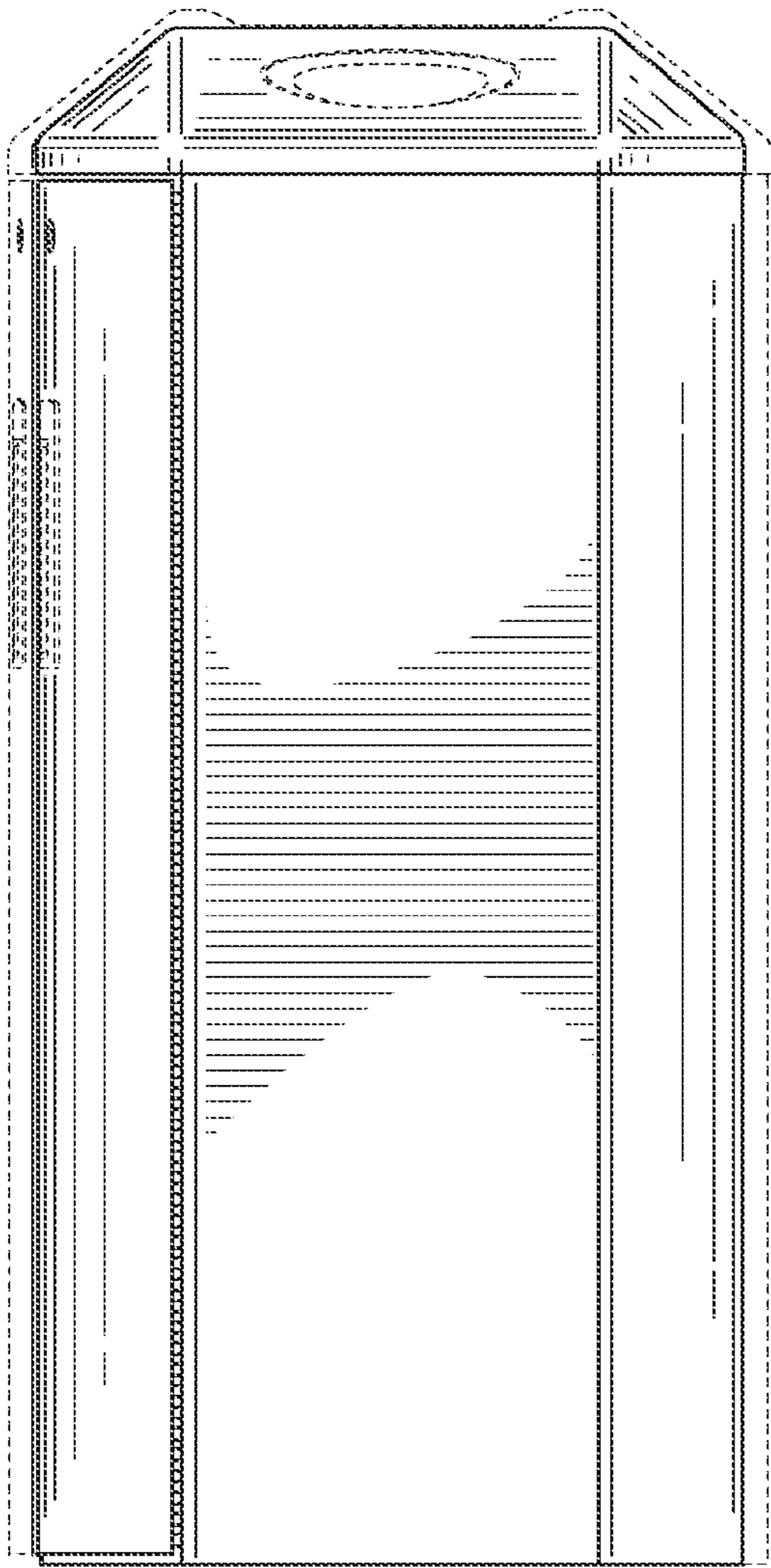


FIG. 5

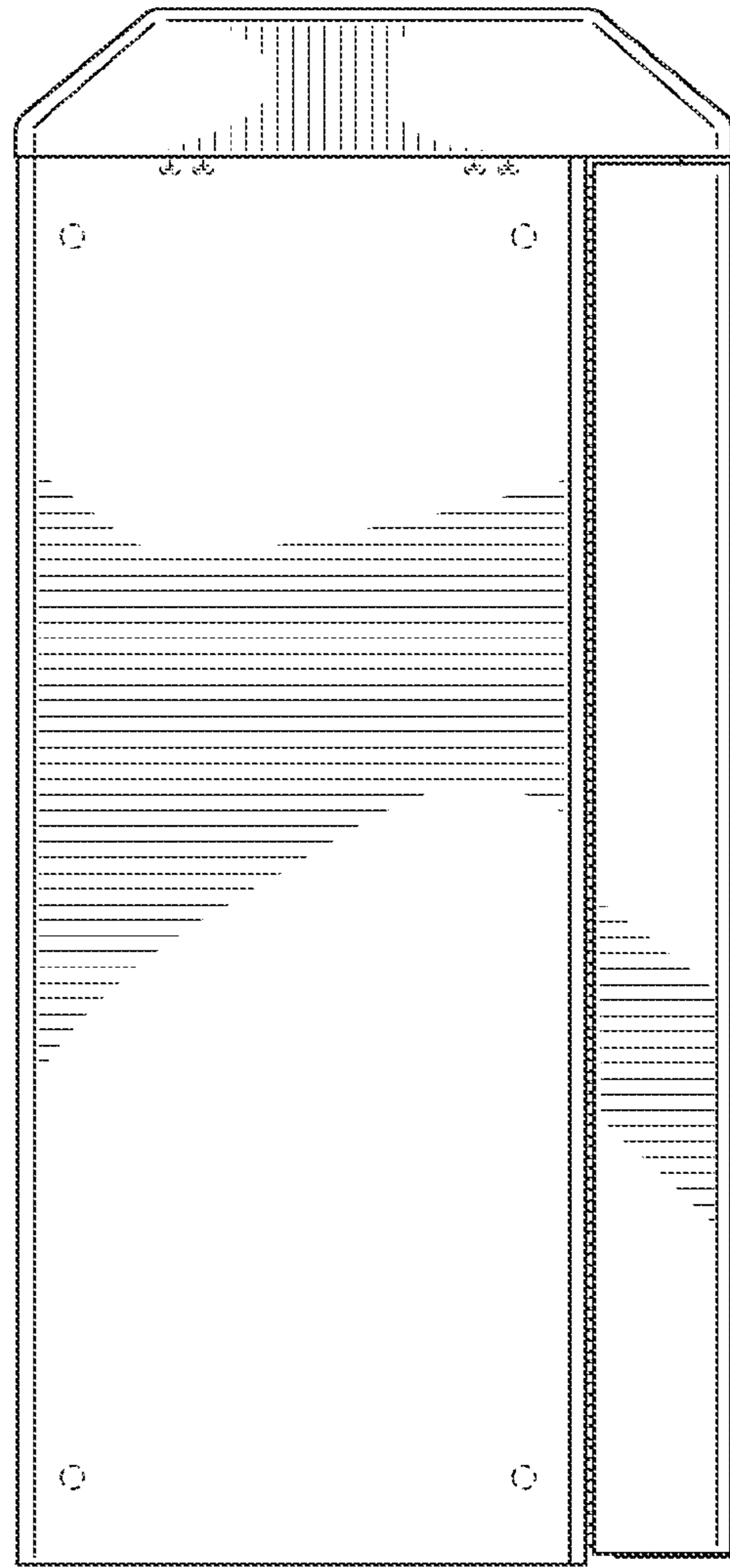


FIG. 6

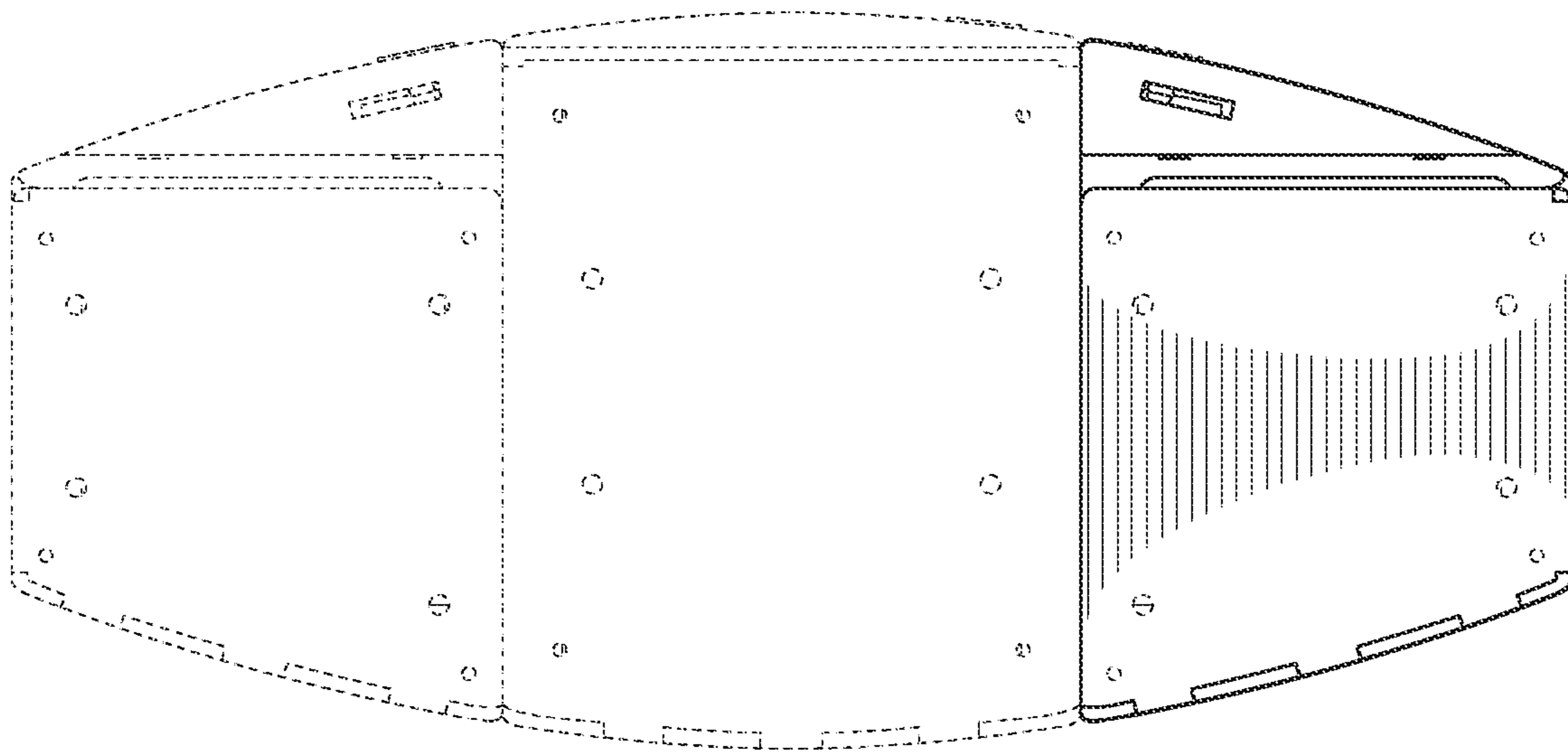


FIG. 7