



US00D618408S

(12) **United States Design Patent**
Clepper et al.

(10) **Patent No.:** **US D618,408 S**
(45) **Date of Patent:** **** Jun. 22, 2010**

(54) **CENTRAL VACUUM**

(75) Inventors: **Raymond E. Clepper**, Brooklyn, NY (US); **Randall A. Sandlin**, Bloomington, IL (US); **Robert Bruno**, Avon, CT (US); **Philip Nathan**, West Hartford, CT (US)

(73) Assignee: **Electrolux Home Care Products, Inc.**, Cleveland, OH (US)

(**) Term: **14 Years**

(21) Appl. No.: **29/332,025**

(22) Filed: **Feb. 6, 2009**

(51) **LOC (9) Cl.** **15-05**

(52) **U.S. Cl.** **D32/21**

(58) **Field of Classification Search** D32/21, D32/23, 31; 15/327.1, 327.2, 327.4, 327.5, 15/327.7, 320-321, 323, 301, 312.1, 314, 15/353, 412, 347, 302; 220/23.83, 23.62
See application file for complete search history.

(56) **References Cited**

U.S. PATENT DOCUMENTS

D214,083 S *	5/1969	Alligood, Jr.	D32/21
D242,482 S *	11/1976	Fyffe	D32/23
D294,187 S *	2/1988	Bertuzzo	D32/21
D349,369 S *	8/1994	Adams	D32/21
D381,477 S *	7/1997	Ingram	D32/21
5,813,085 A *	9/1998	Fritz et al.	15/314
D455,531 S *	4/2002	Cartellone	D32/23
6,574,826 B1 *	6/2003	Turkal	15/314
D506,298 S *	6/2005	Schmitt	D32/21
D518,927 S *	4/2006	Rupp et al.	D32/21

D521,695 S *	5/2006	Jacobs et al.	D32/21
D525,002 S *	7/2006	Wiedemann	D32/23
D534,697 S *	1/2007	Reick-Mitrisin et al.	D32/21
2005/0039295 A1 *	2/2005	Werning	15/314
2006/0150360 A1 *	7/2006	Reick-Mitrisin et al.	15/314
2007/0067948 A1 *	3/2007	Biere	15/412
2008/0016646 A1 *	1/2008	Gagnon et al.	15/301
2009/0094776 A1 *	4/2009	Lowrance, III	15/301
2009/0193610 A1 *	8/2009	Gabric	15/314

* cited by examiner

Primary Examiner—Ruth McInroy

(74) *Attorney, Agent, or Firm*—Hunton & Williams

(57) **CLAIM**

The ornamental design for a central vacuum, as shown and described.

DESCRIPTION

FIG. 1 is a front perspective view of a central vacuum showing the claimed design.

FIG. 2 is a front elevation view of the central vacuum of FIG. 1.

FIG. 3 is a rear elevation view of the central vacuum of FIG. 1.

FIG. 4 is a right side elevation view of the central vacuum of FIG. 1.

FIG. 5 is a left side elevation view of the central vacuum of FIG. 1.

FIG. 6 is a top plan view of the central vacuum of FIG. 1; and,

FIG. 7 is a bottom plan view of the central vacuum of FIG. 1.

1 Claim, 7 Drawing Sheets

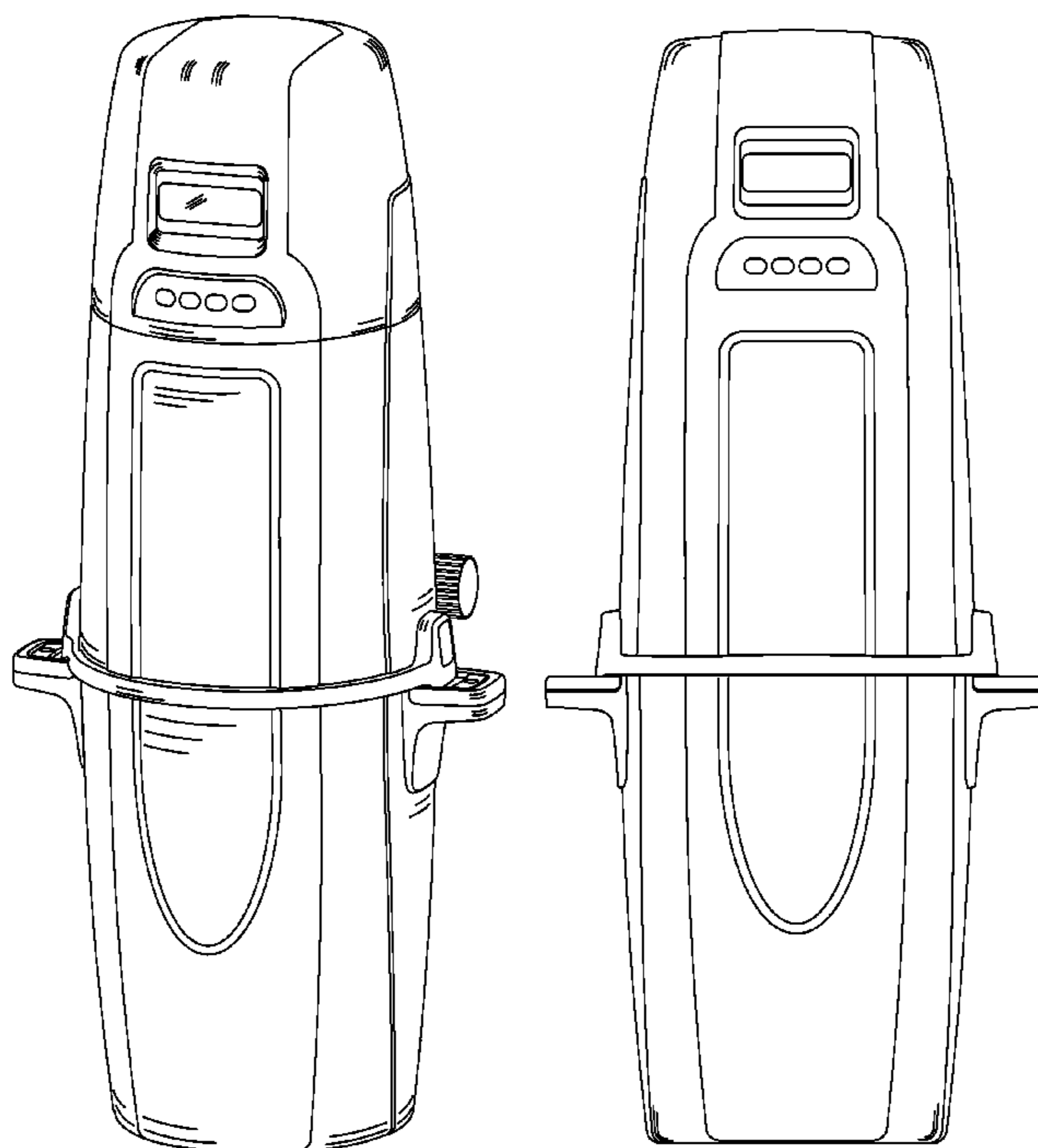


Fig. 1

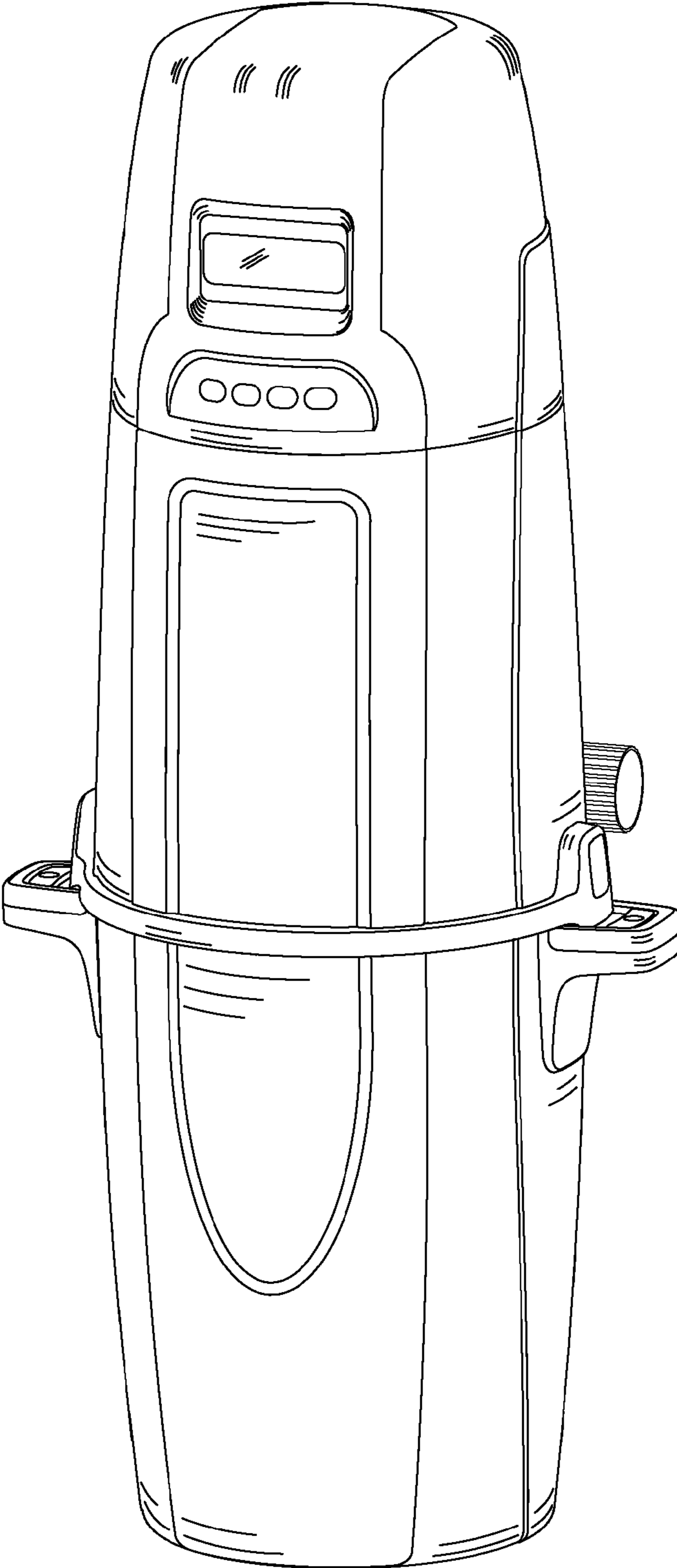


Fig. 2

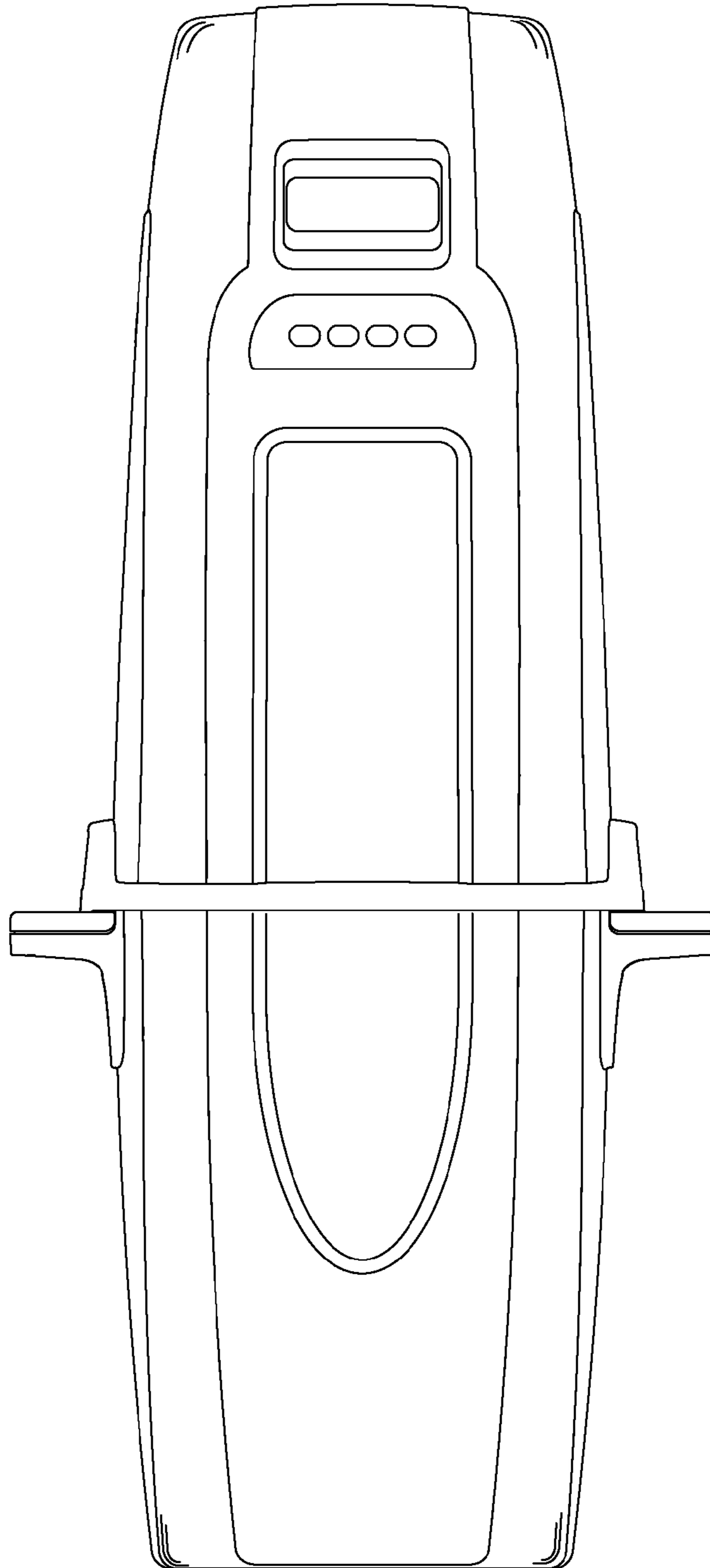


Fig. 3

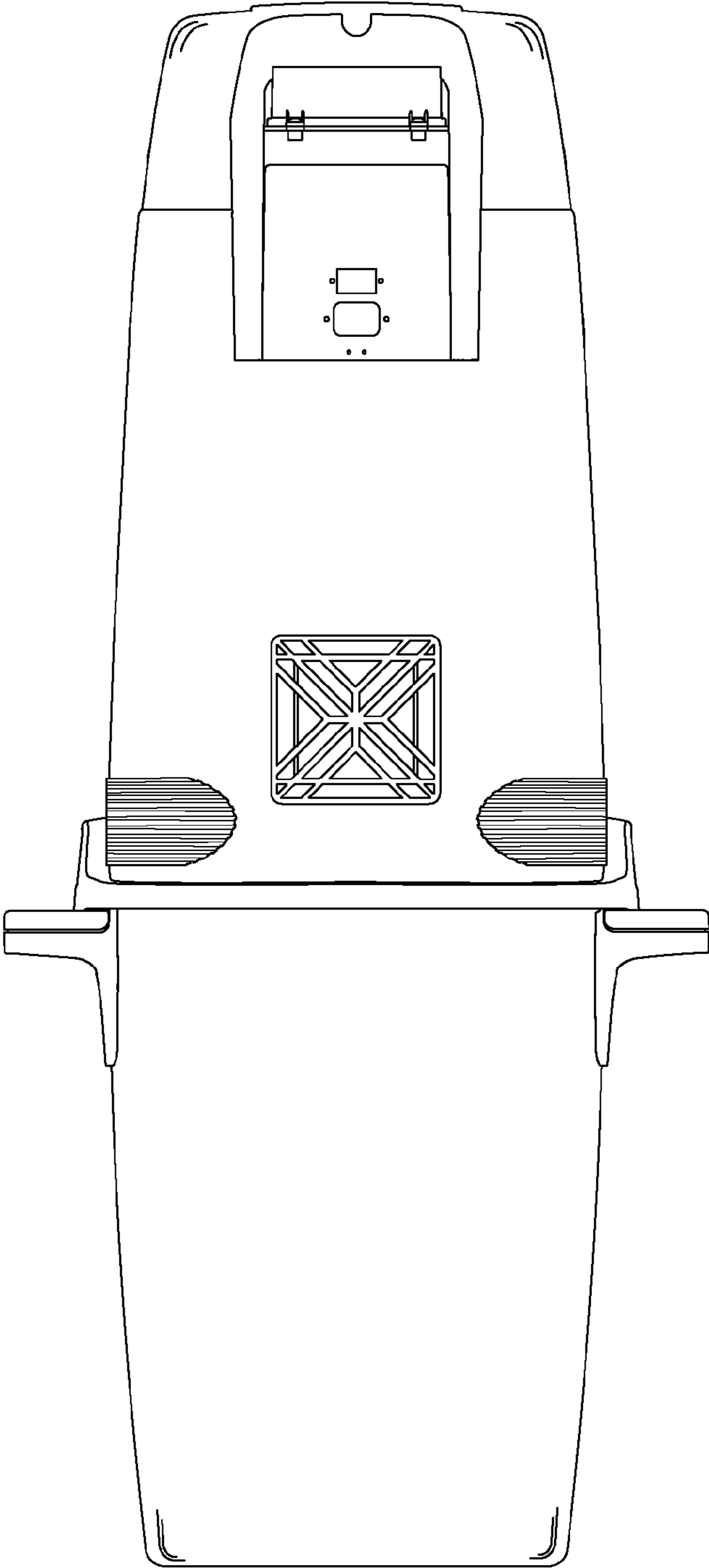


Fig. 4

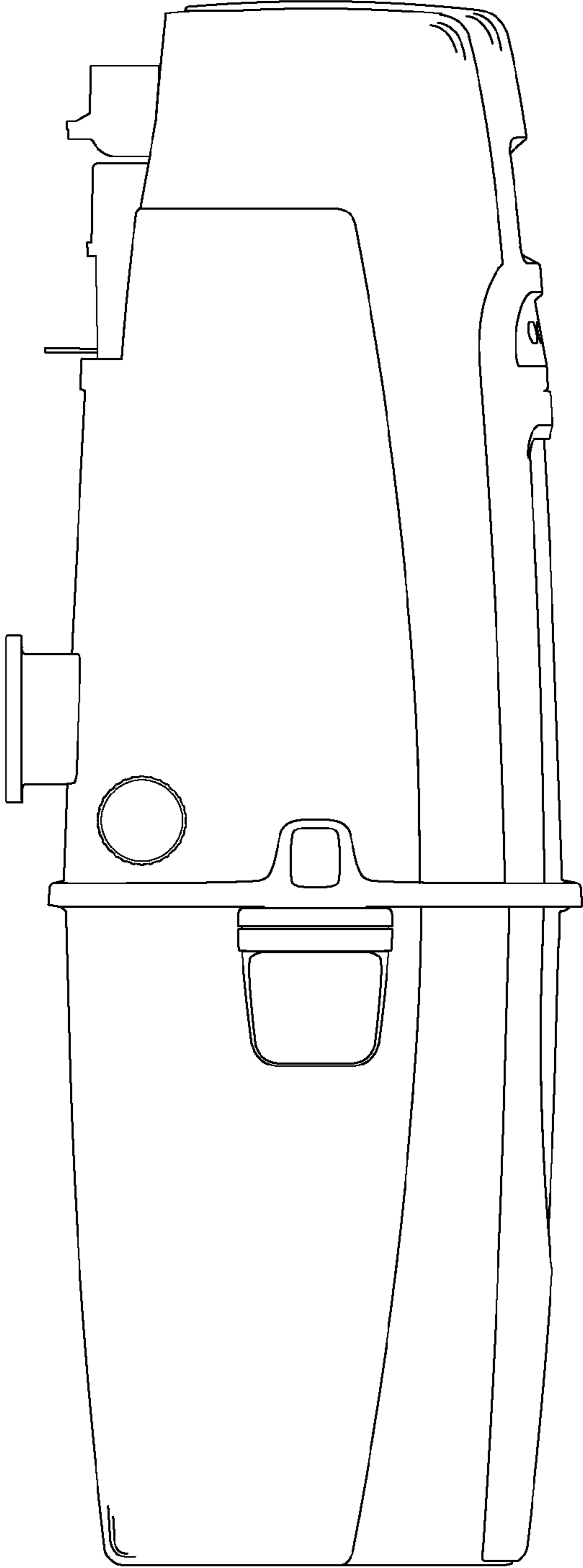


Fig. 5

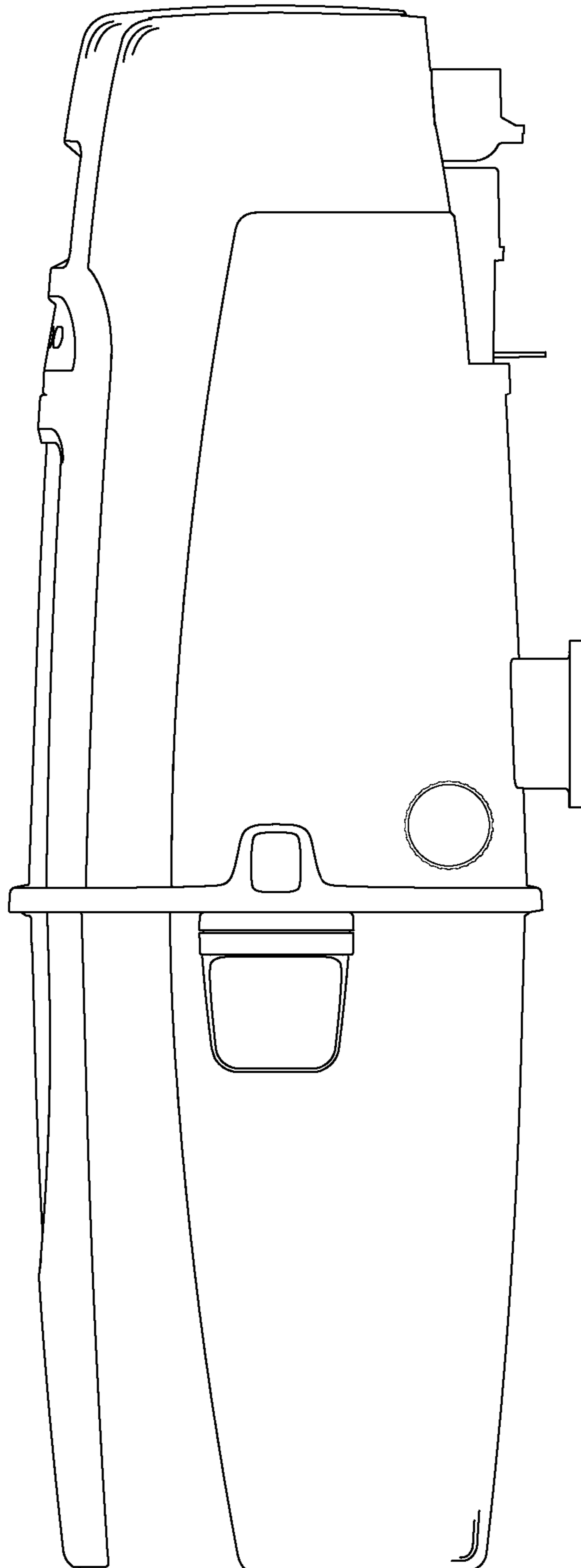


Fig. 6

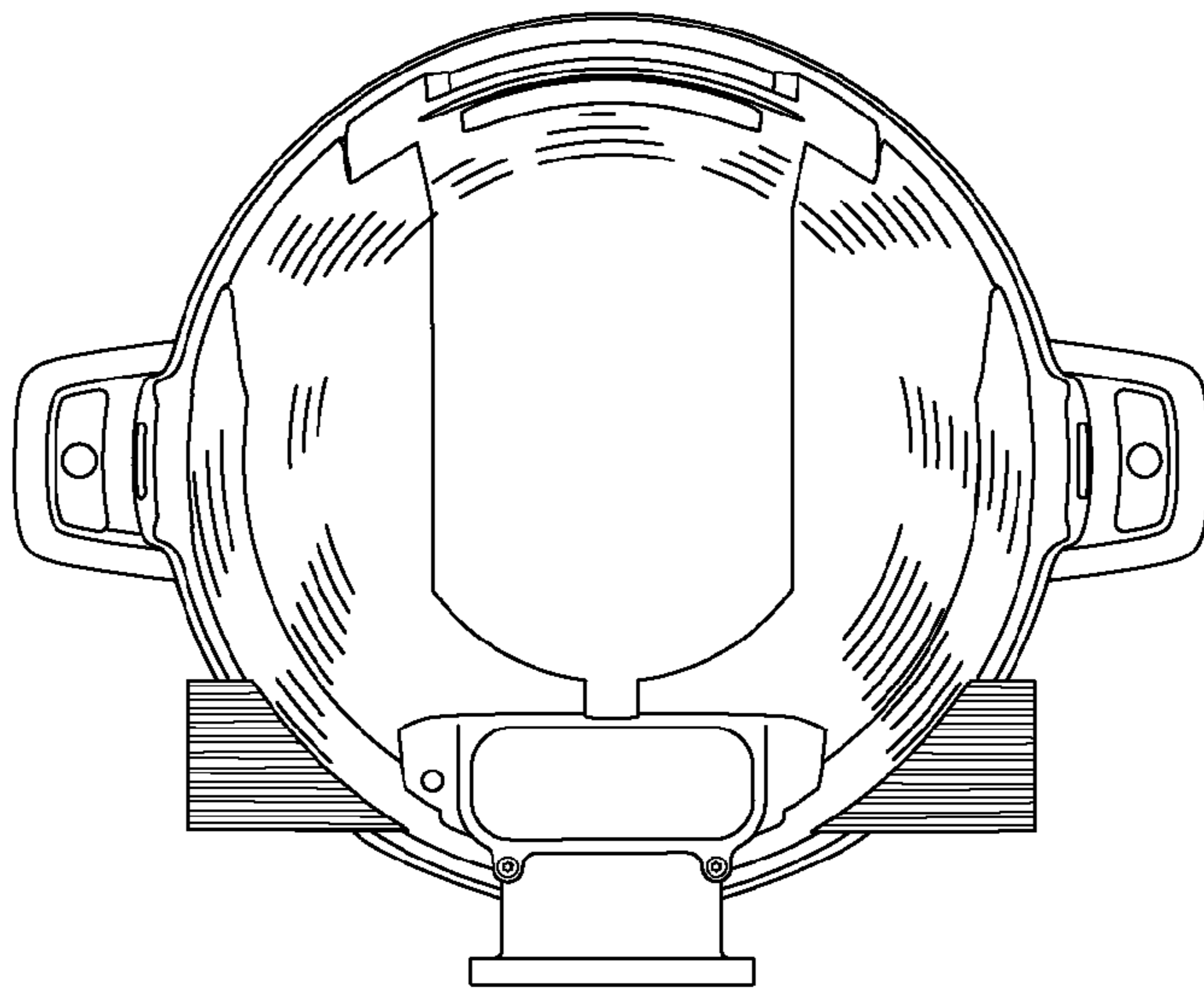


Fig. 7

