



US00D618407S

(12) **United States Design Patent**
Wu

(10) **Patent No.:** **US D618,407 S**
(45) **Date of Patent:** **** Jun. 22, 2010**

(54) **PLUMBING SNAKE HANDLE**

(76) Inventor: **Kuei-Kun Wu**, No. 23, Lane. 2,
Goangdong 2 St., Kaohsiung (TW)

(**) Term: **14 Years**

(21) Appl. No.: **29/351,474**

(22) Filed: **Dec. 7, 2009**

(51) **LOC (9) Cl.** **15-05**

(52) **U.S. Cl.** **D32/14**

(58) **Field of Classification Search** D32/14,
D32/35; 4/255.01, 255.05, 255.08, 255.11;
15/104.04, 104.05; 134/166 C, 167 C, 168 C,
134/168 R

See application file for complete search history.

(56) **References Cited**

U.S. PATENT DOCUMENTS

D236,166	S	*	7/1975	Fishbein	D24/146
4,372,003	A	*	2/1983	Toelke	15/88
4,433,448	A	*	2/1984	True	15/88
4,957,123	A	*	9/1990	McHugh	134/167 C
D314,649	S	*	2/1991	Campbell et al.	D32/17
4,998,915	A	*	3/1991	Hannah	604/73
D339,405	S	*	9/1993	Bevacco et al.	D23/213
6,553,601	B1	*	4/2003	Major	15/104.04
D504,749	S	*	5/2005	Habib	D32/14
D505,234	S	*	5/2005	Tash	D32/14
D505,525	S	*	5/2005	Tash	D32/14

D510,783 S * 10/2005 Tash D32/14
D606,717 S * 12/2009 Xia D32/35

* cited by examiner

Primary Examiner—T. Chase Nelson

Assistant Examiner—Kathleen M Sims

(74) *Attorney, Agent, or Firm*—James J. Paige; Nikolai & Mersereau, P.A.

(57) **CLAIM**

The ornamental design for a plumbing snake handle, as shown and described.

DESCRIPTION

FIG. 1 is a first perspective view of a plumbing snake handle showing my new design;

FIG. 2 is a front view thereof;

FIG. 3 is a rear view thereof;

FIG. 4 is a left view thereof;

FIG. 5 is a right view thereof;

FIG. 6 is a top view thereof;

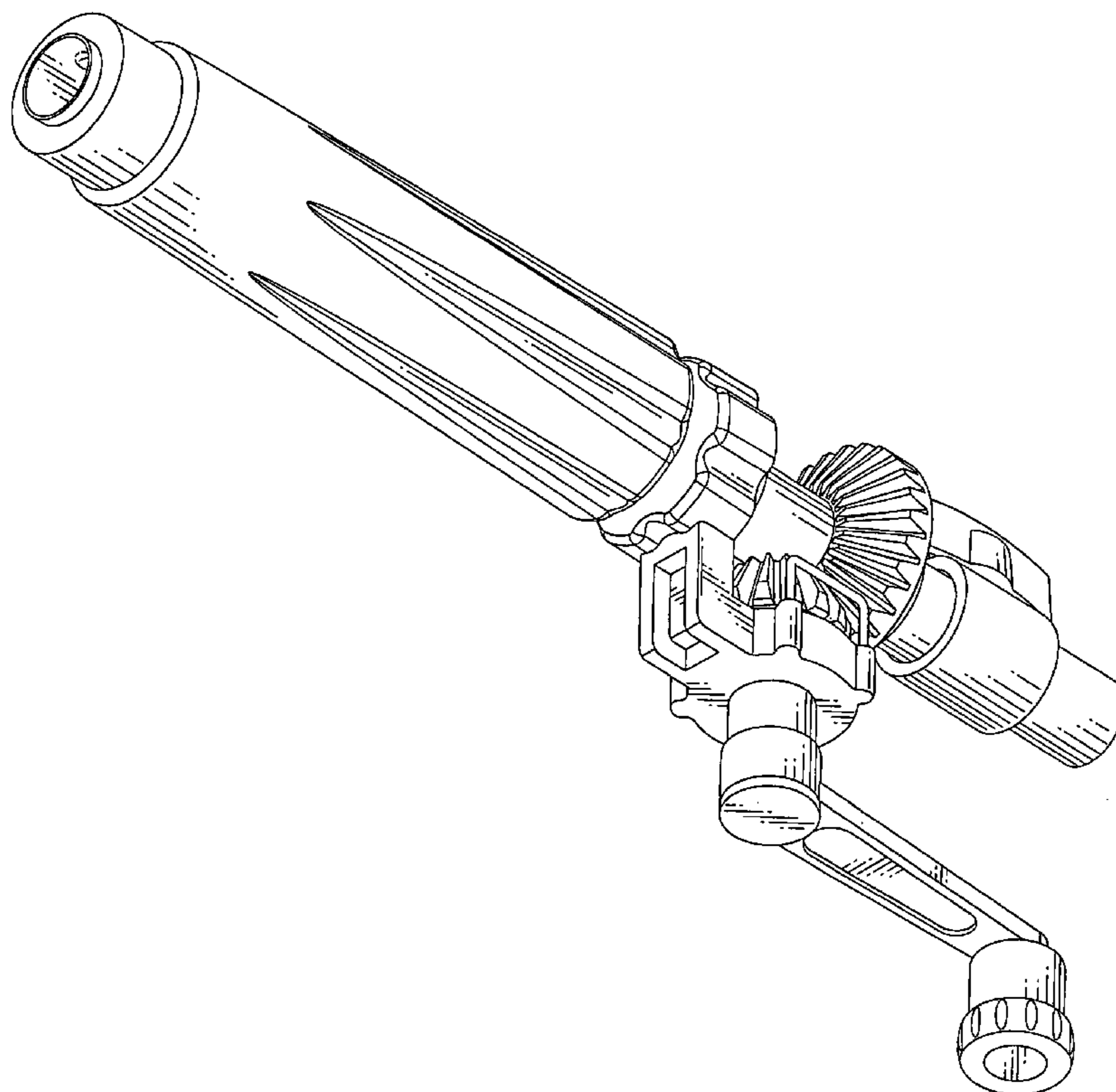
FIG. 7 is a bottom view thereof;

FIG. 8 is a second perspective view thereof; and,

FIG. 9 is a third perspective view thereof shown in use.

The broken lines on the drawings are shown for illustrative purposes only and form no part of the claimed design.

1 Claim, 7 Drawing Sheets



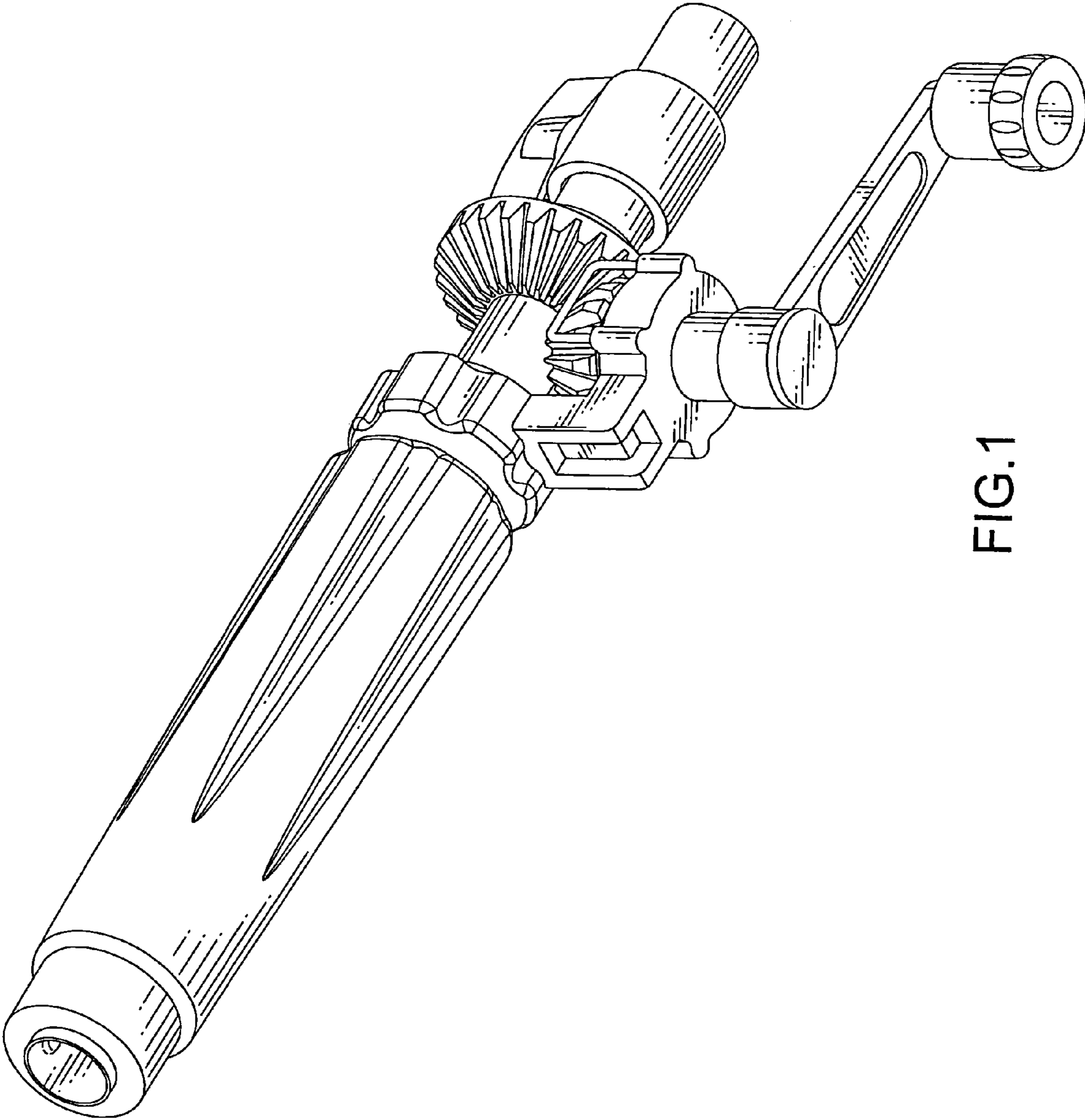


FIG.1

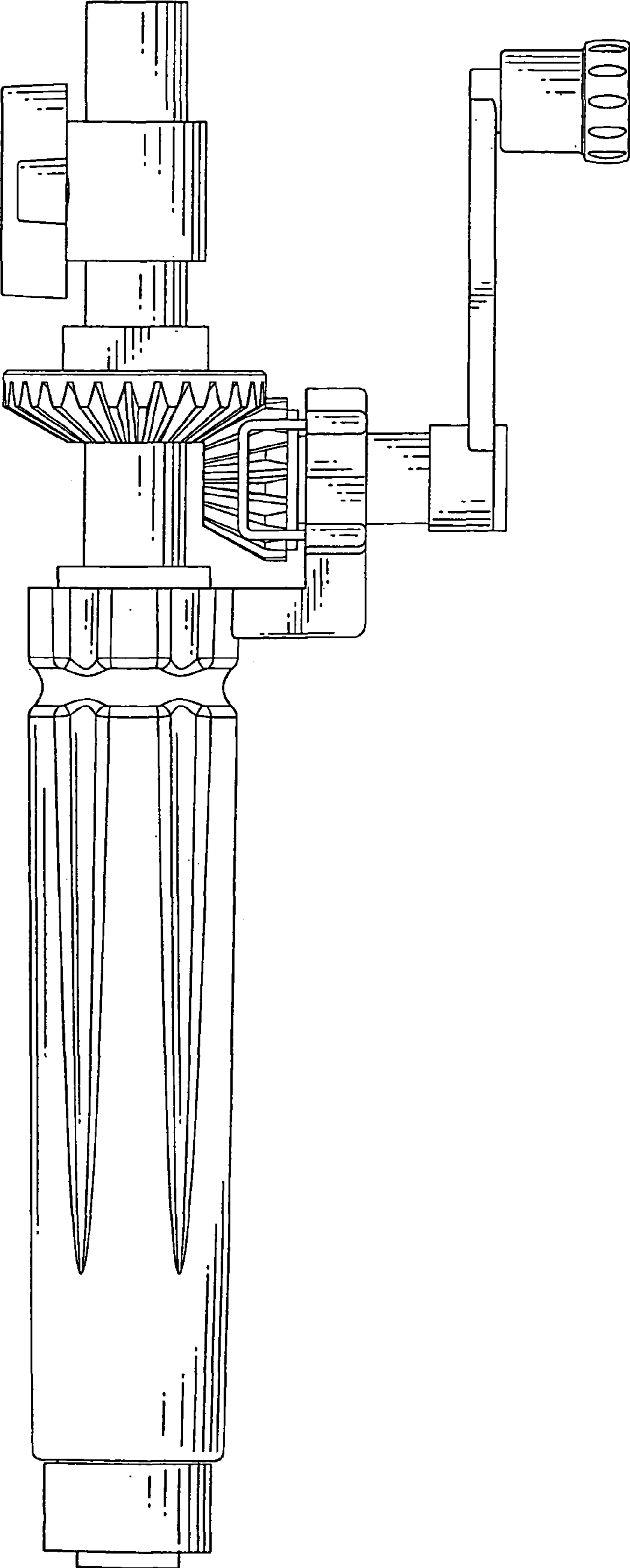


FIG.2

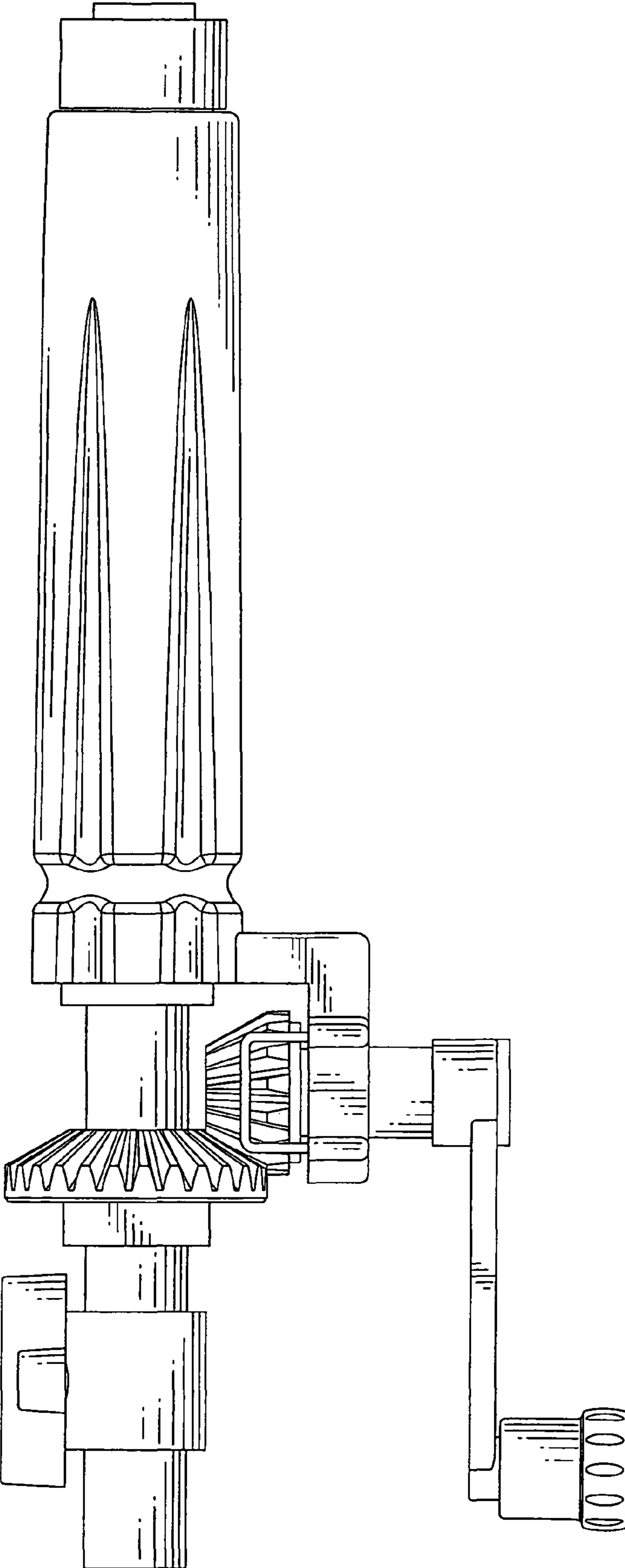


FIG.3

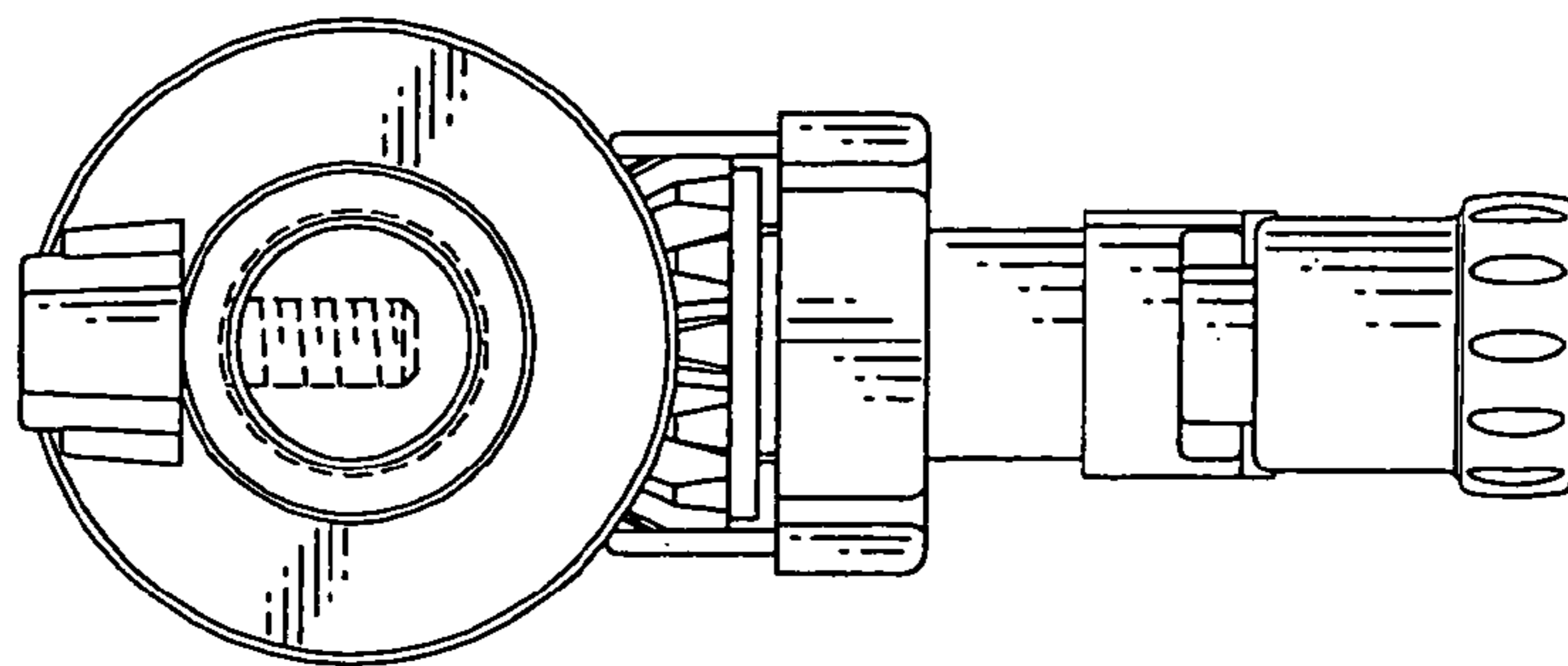


FIG. 5

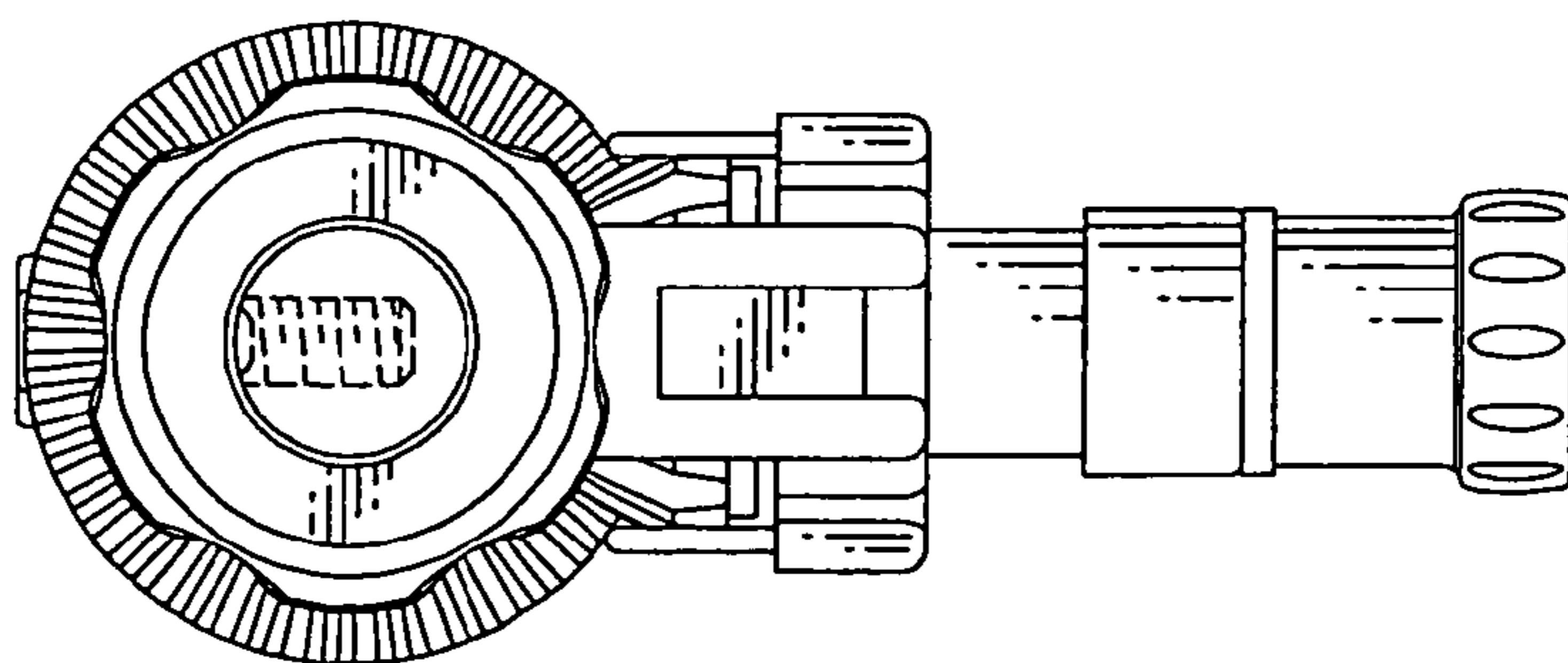


FIG. 4

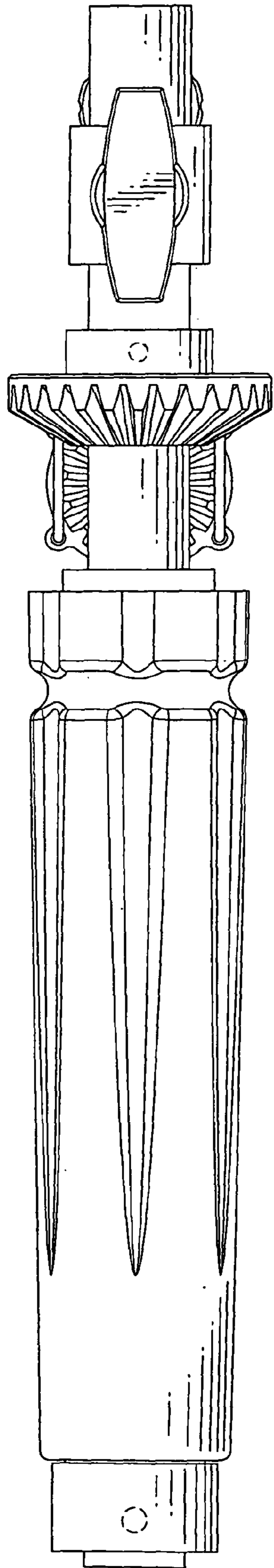


FIG. 6

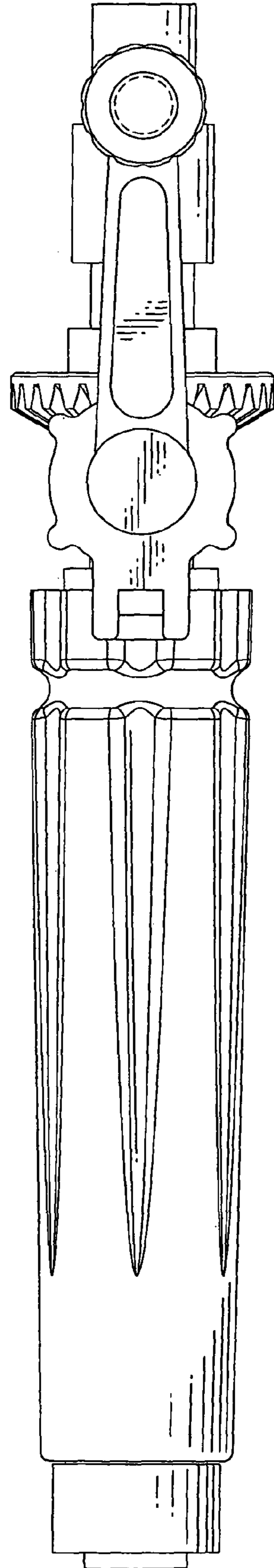


FIG. 7

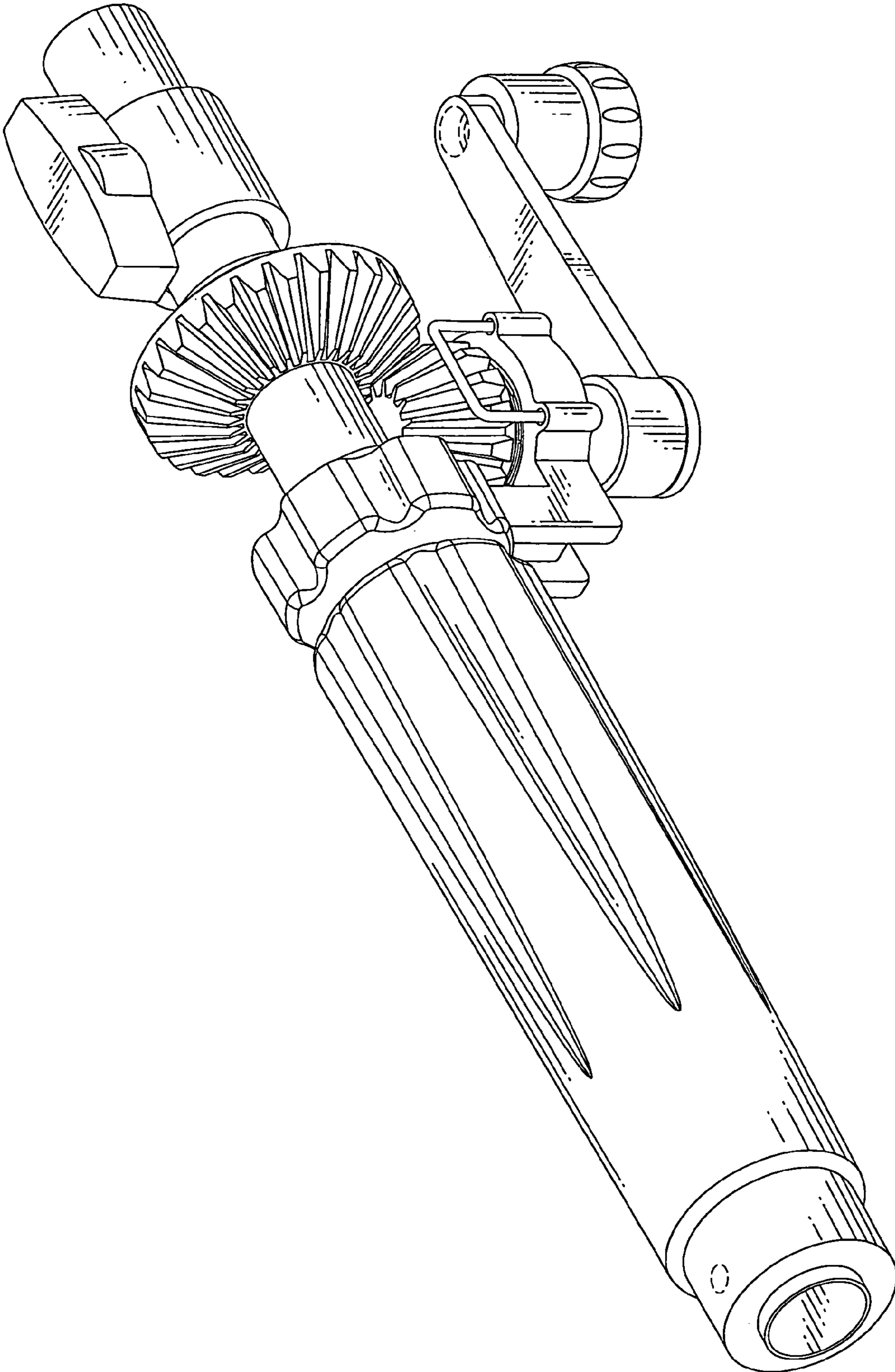


FIG.8

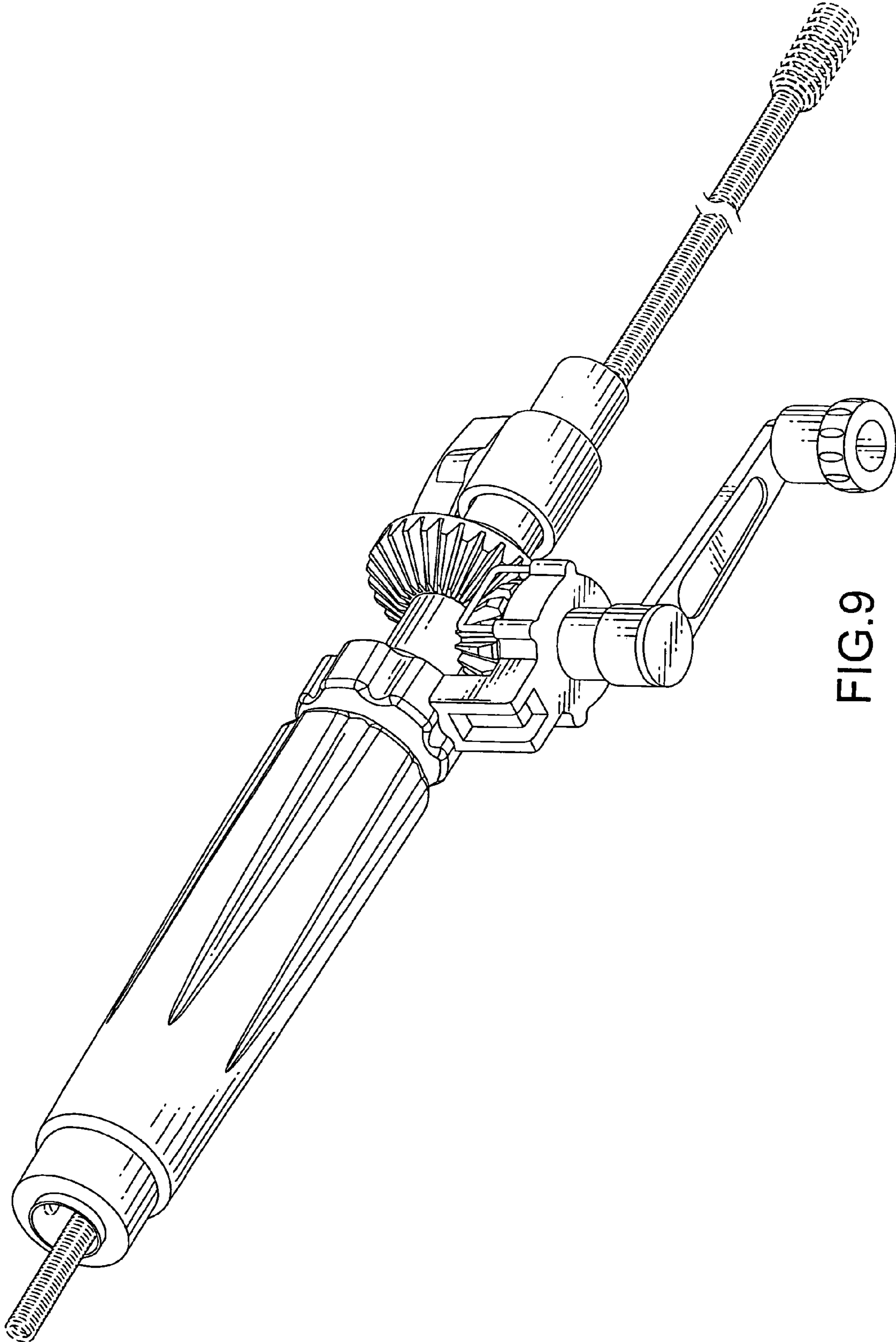


FIG.9