



US00D618406S

(12) **United States Design Patent**
Ott

(10) **Patent No.:** **US D618,406 S**
(45) **Date of Patent:** **** Jun. 22, 2010**

(54) **DISHWASHER CONTROL PANEL**

(57) **CLAIM**

(75) Inventor: **Thomas Ott**, Neubiberg (DE)

The ornamental design for a dishwasher control panel, as shown and described.

(73) Assignee: **BSH Bosch und Siemens Hausgeraete GmbH**, Munich (DE)

(**) Term: **14 Years**

DESCRIPTION

(21) Appl. No.: **29/313,267**

(22) Filed: **Dec. 19, 2008**

(30) **Foreign Application Priority Data**

Jul. 8, 2008 (EM) 000973540

(51) **LOC (9) Cl.** **15-05**

(52) **U.S. Cl.** **D32/3**

(58) **Field of Classification Search** D3/1-3,
D3/28; D7/340, 348-351, 405; 68/212;
312/31; 134/56 D, 57 D, 58 DL, 113, 201
See application file for complete search history.

FIG. 1 is a perspective view of a first embodiment of a dishwasher control panel showing my new ornamental design;

FIG. 2 is a front view thereof;

FIG. 3 is a perspective view of a second embodiment of a dishwasher control panel showing my new ornamental design;

FIG. 4 is a front view thereof;

FIG. 5 is a perspective view of a third embodiment of a dishwasher control panel showing my new ornamental design;

FIG. 6 is a front view thereof;

FIG. 7 is a perspective view of a fourth embodiment of a dishwasher control panel showing my new ornamental design;

FIG. 8 is a front view thereof;

FIG. 9 is a perspective view of a fifth embodiment of a dishwasher control panel showing my new ornamental design;

FIG. 10 is a front view thereof;

FIG. 11 is a perspective view of a sixth embodiment of a dishwasher control panel showing my new ornamental design;

FIG. 12 is a front view thereof;

FIG. 13 is a perspective view of a seventh embodiment of a dishwasher control panel showing my new ornamental design;

FIG. 14 is a front view thereof;

FIG. 15 is a perspective view of an eighth embodiment of a dishwasher control panel showing my new ornamental design;

FIG. 16 is a front view thereof;

(56) **References Cited**

U.S. PATENT DOCUMENTS

D385,069 S *	10/1997	Hughes et al.	D32/3
D493,583 S *	7/2004	Kaczmarek	D32/3
D495,104 S *	8/2004	Kaczmarek	D32/3
D511,031 S *	10/2005	Ott et al.	D32/3
D530,048 S *	10/2006	Knochner	D32/3
D530,460 S *	10/2006	Knochner	D32/3
D533,691 S *	12/2006	Knochner	D32/3
D539,992 S *	4/2007	Yamamoto et al.	D32/2
D545,009 S *	6/2007	Jung et al.	D32/2
D568,563 S *	5/2008	Stephens	D32/28
D577,869 S *	9/2008	Tartan et al.	D32/2

* cited by examiner

Primary Examiner—T. Chase Nelson

Assistant Examiner—Kathleen M Sims

(74) *Attorney, Agent, or Firm*—James E. Howard; Andre Pallapies

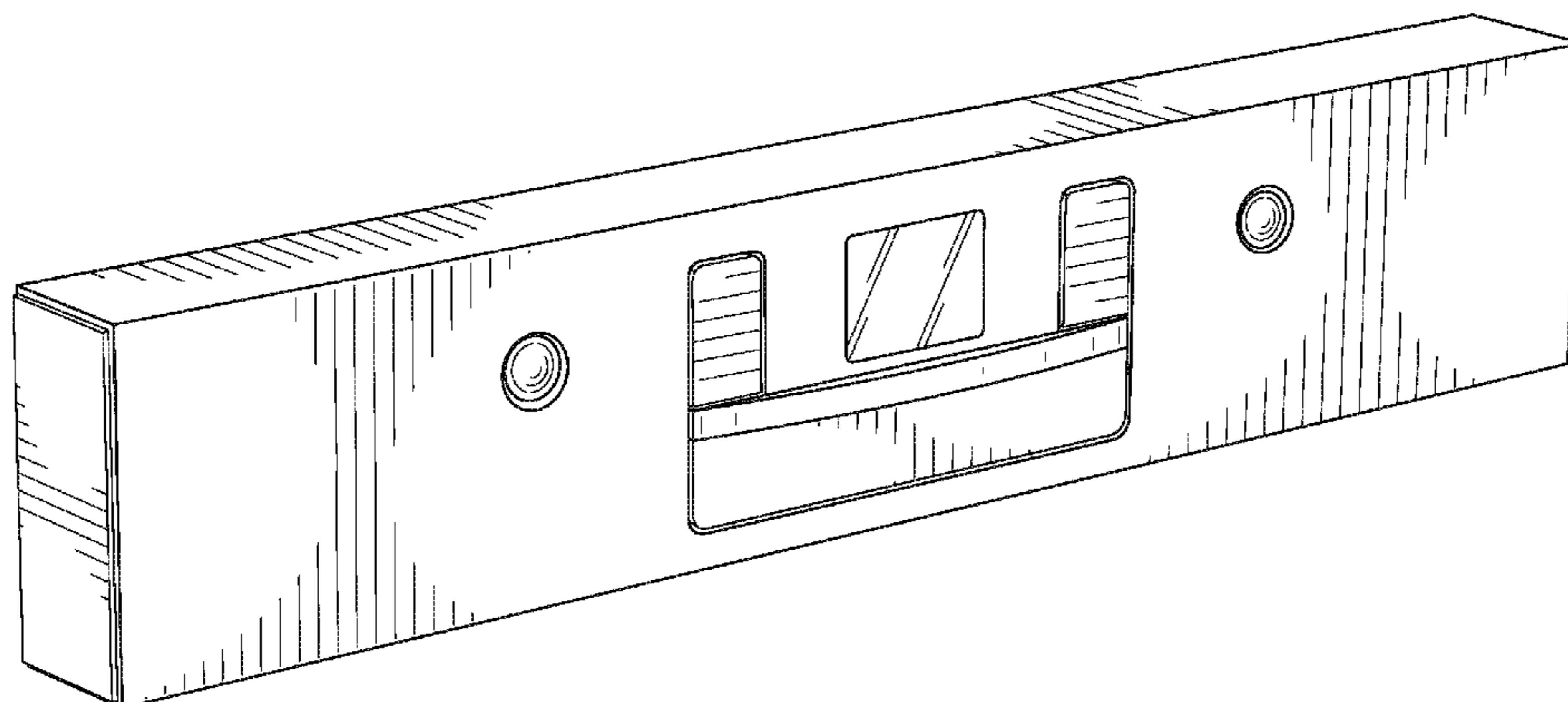


FIG. 17 is a perspective view of a ninth embodiment of a dishwasher control panel showing my new ornamental design;

FIG. 18 is a front view thereof;

FIG. 19 is a perspective view of a tenth embodiment of a dishwasher control panel showing my new ornamental design;

FIG. 20 is a front view thereof;

FIG. 21 is a perspective view of an eleventh embodiment of a dishwasher control panel showing my new ornamental design;

FIG. 22 is a front view thereof;

FIG. 23 is a perspective view of a twelfth embodiment of a dishwasher control panel showing my new ornamental design;

FIG. 24 is a front view thereof;

FIG. 25 is a perspective view of a thirteenth embodiment of a dishwasher control panel showing my new ornamental design;

FIG. 26 is a front view thereof;

FIG. 27 is a perspective view of a fourteenth embodiment of a dishwasher control panel showing my new ornamental design;

FIG. 28 is a front view thereof;

FIG. 29 is a perspective view of a fifteenth embodiment of a dishwasher control panel showing my new ornamental design;

FIG. 30 is a front view thereof;

FIG. 31 is a perspective view of a sixteenth embodiment of a dishwasher control panel showing my new ornamental design;

FIG. 32 is a front view thereof;

FIG. 33 is a perspective view of a seventeenth embodiment of a dishwasher control panel showing my new ornamental design; and,

FIG. 34 is a front view thereof.

The broken lines represent environment or structure and do not form a part of the claimed design.

1 Claim, 17 Drawing Sheets

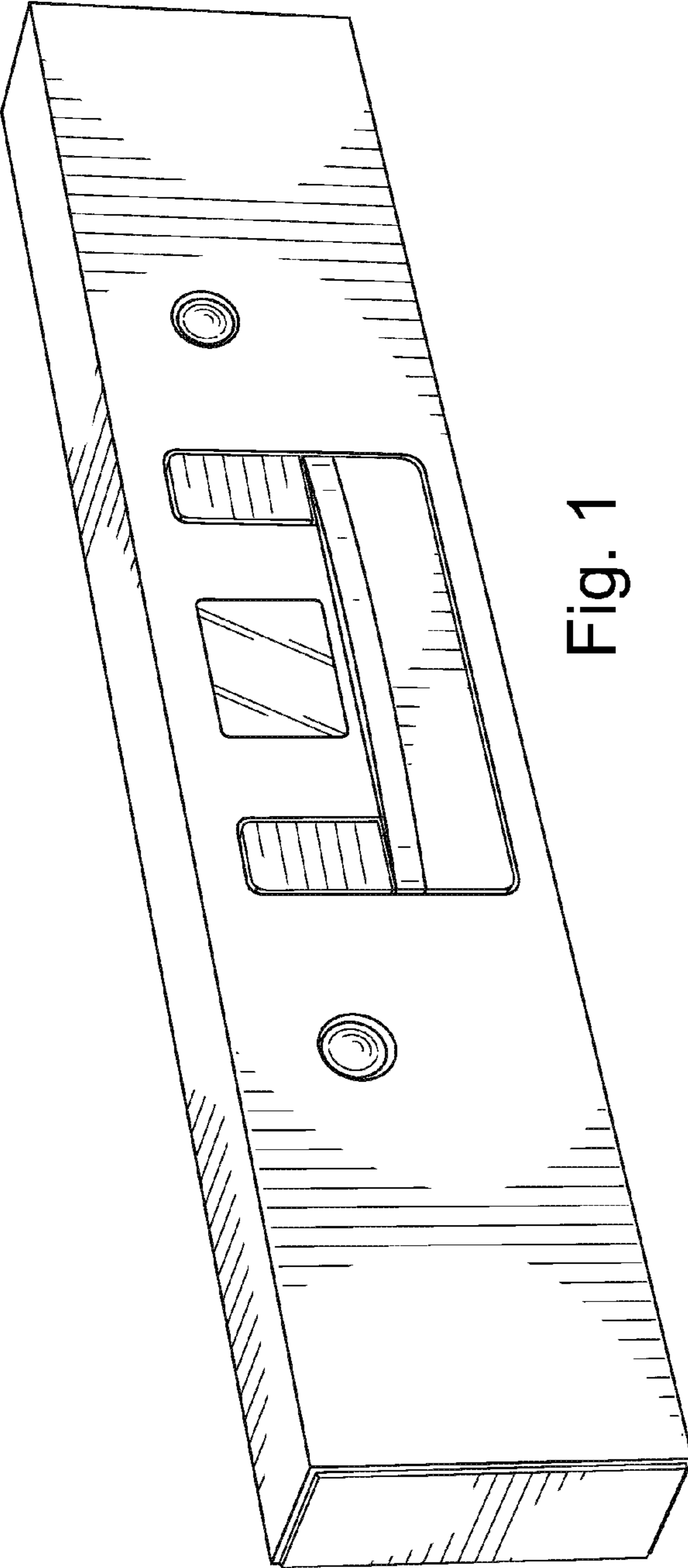


Fig. 1

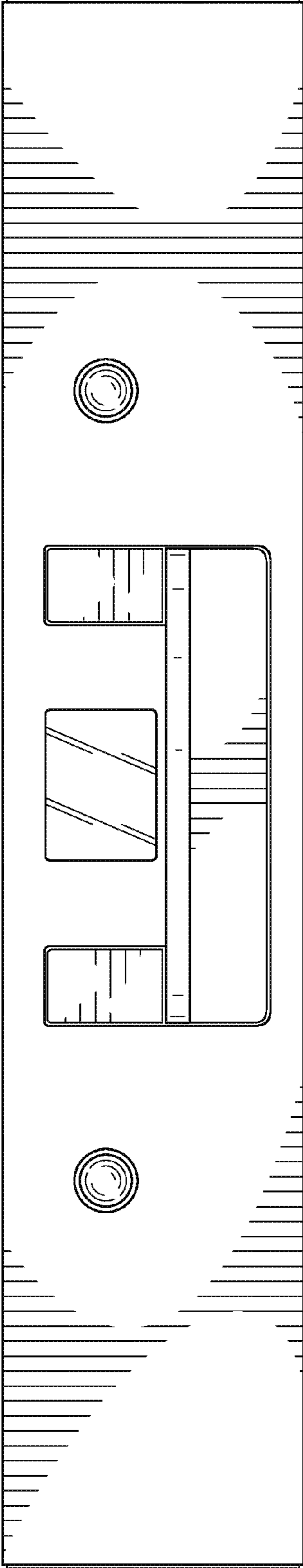


Fig. 2

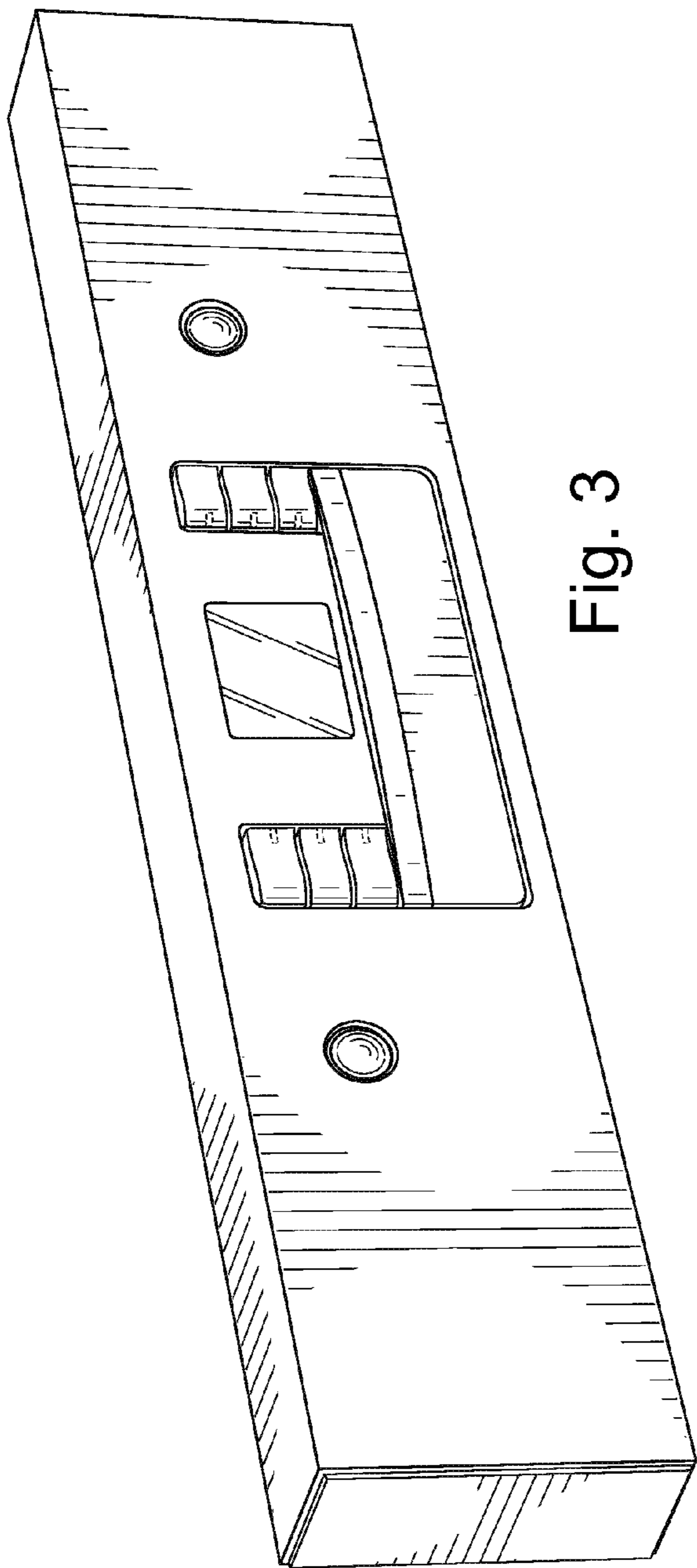


Fig. 3

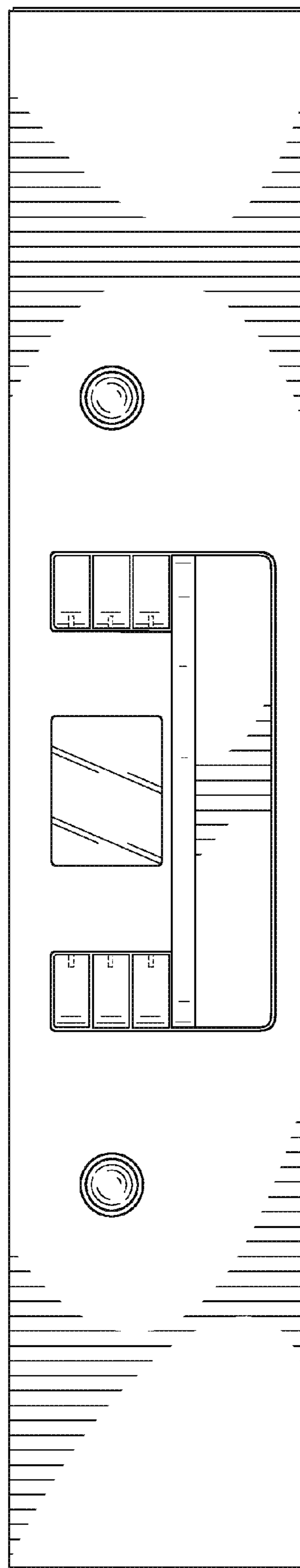


Fig. 4

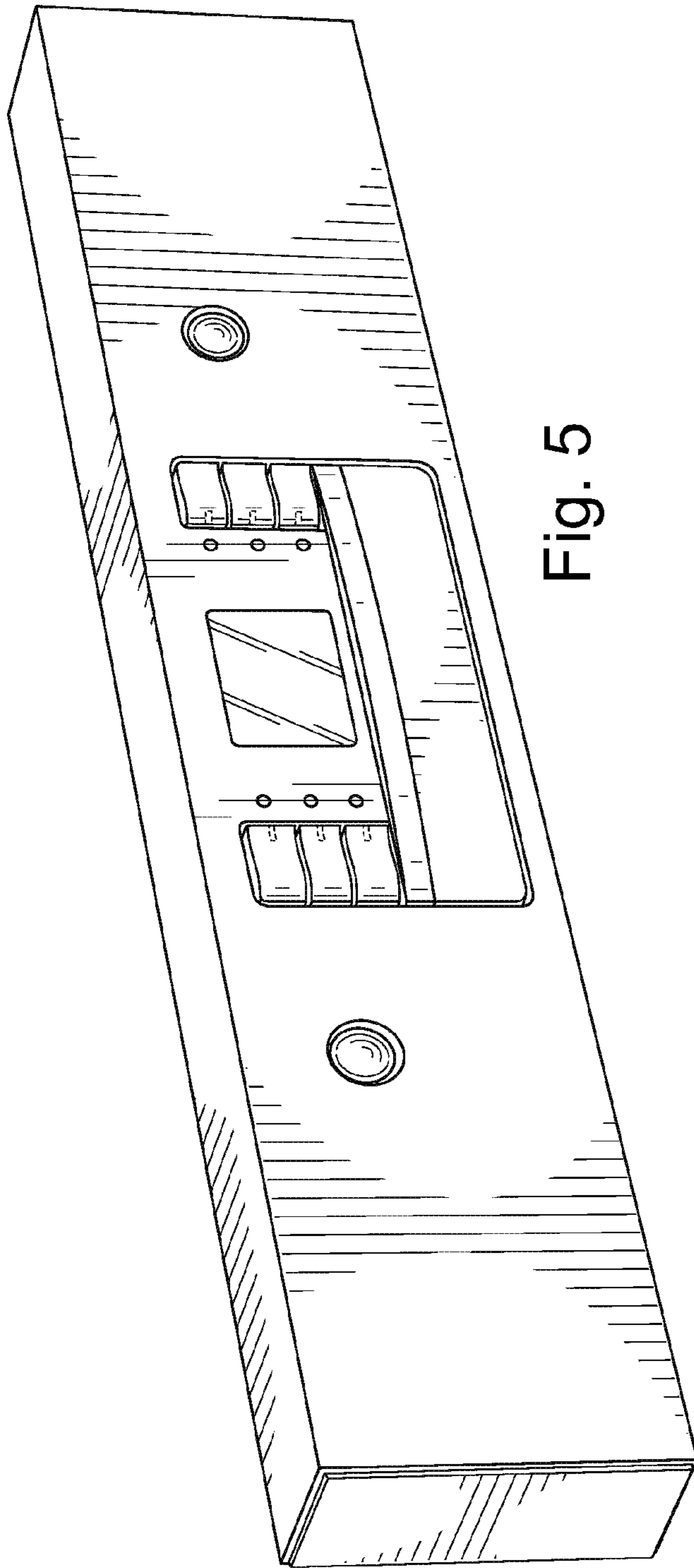


Fig. 5

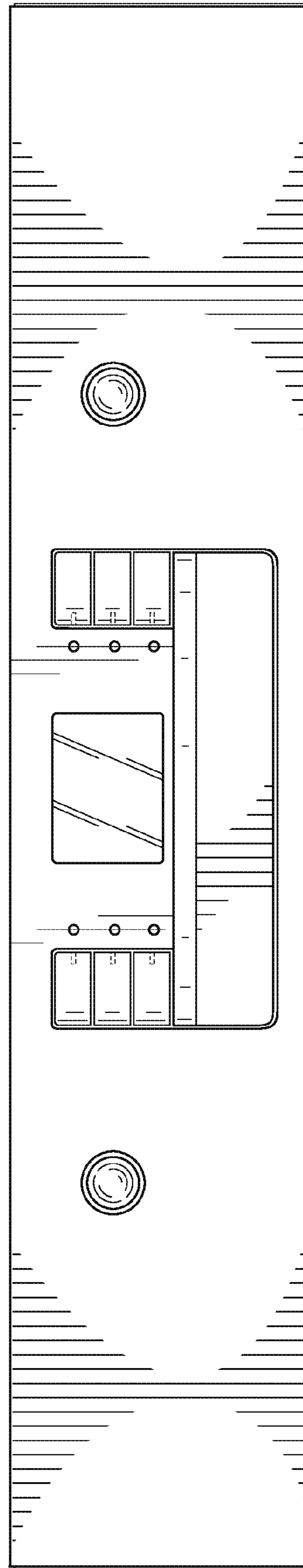


Fig. 6

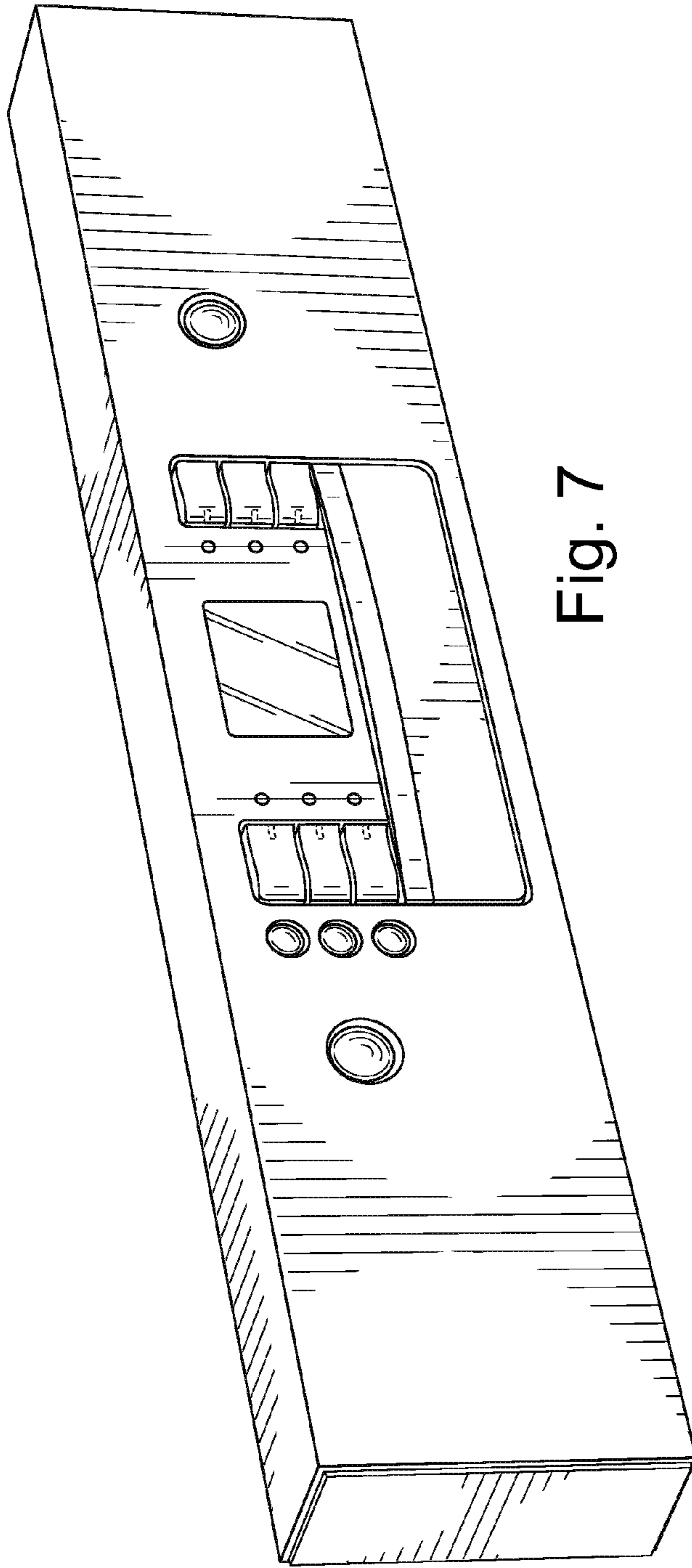


Fig. 7

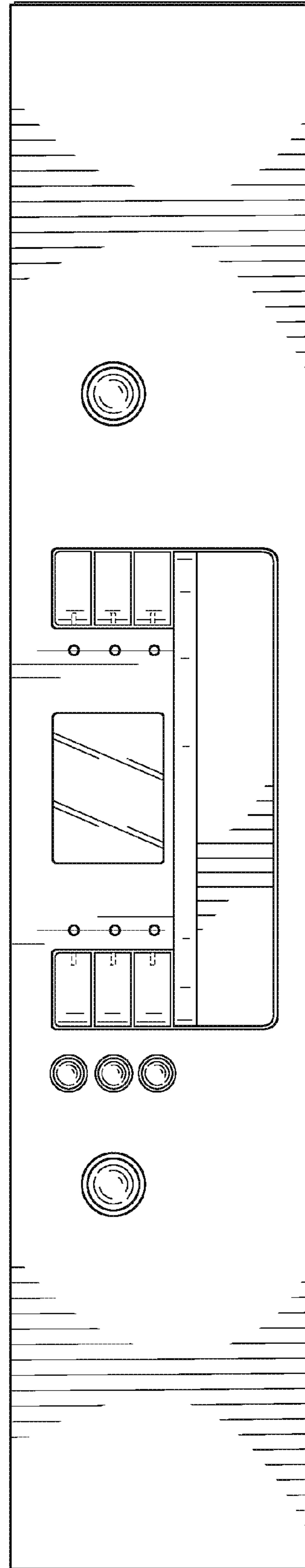


Fig. 8

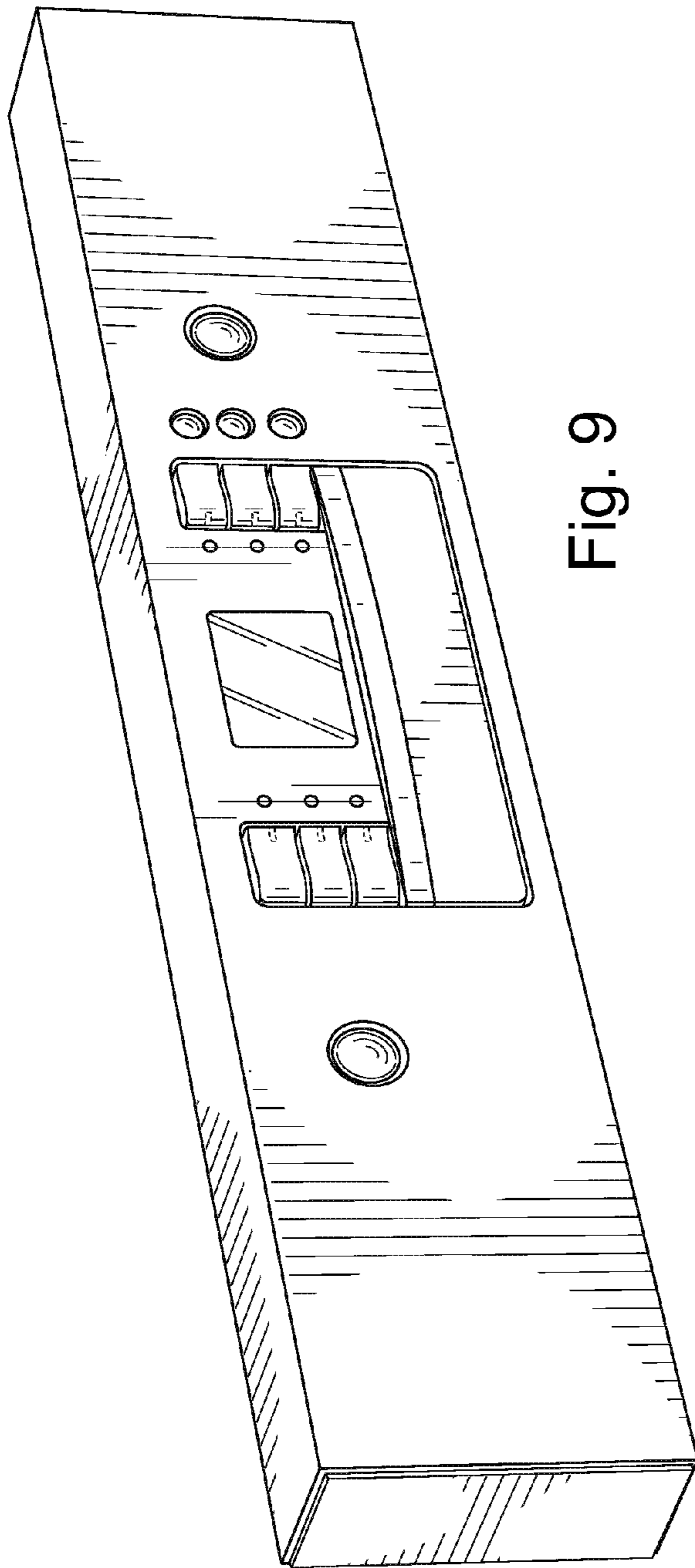


Fig. 9

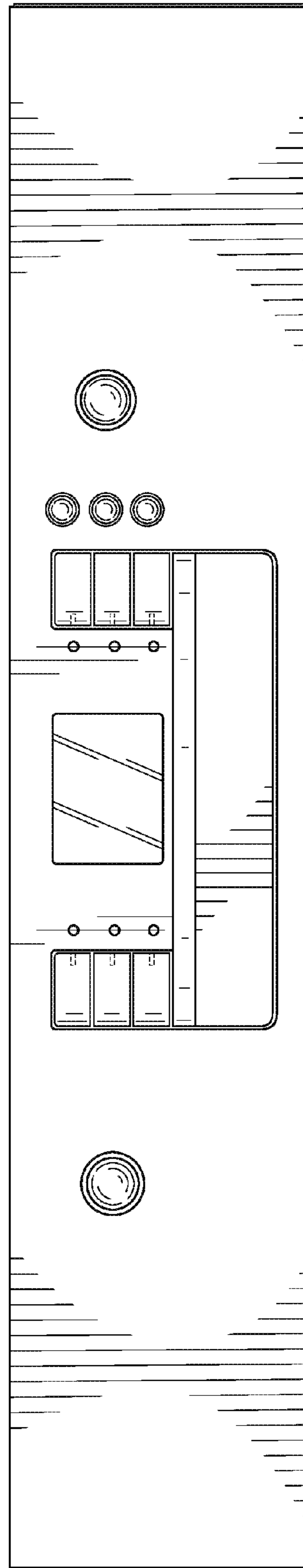


Fig. 10

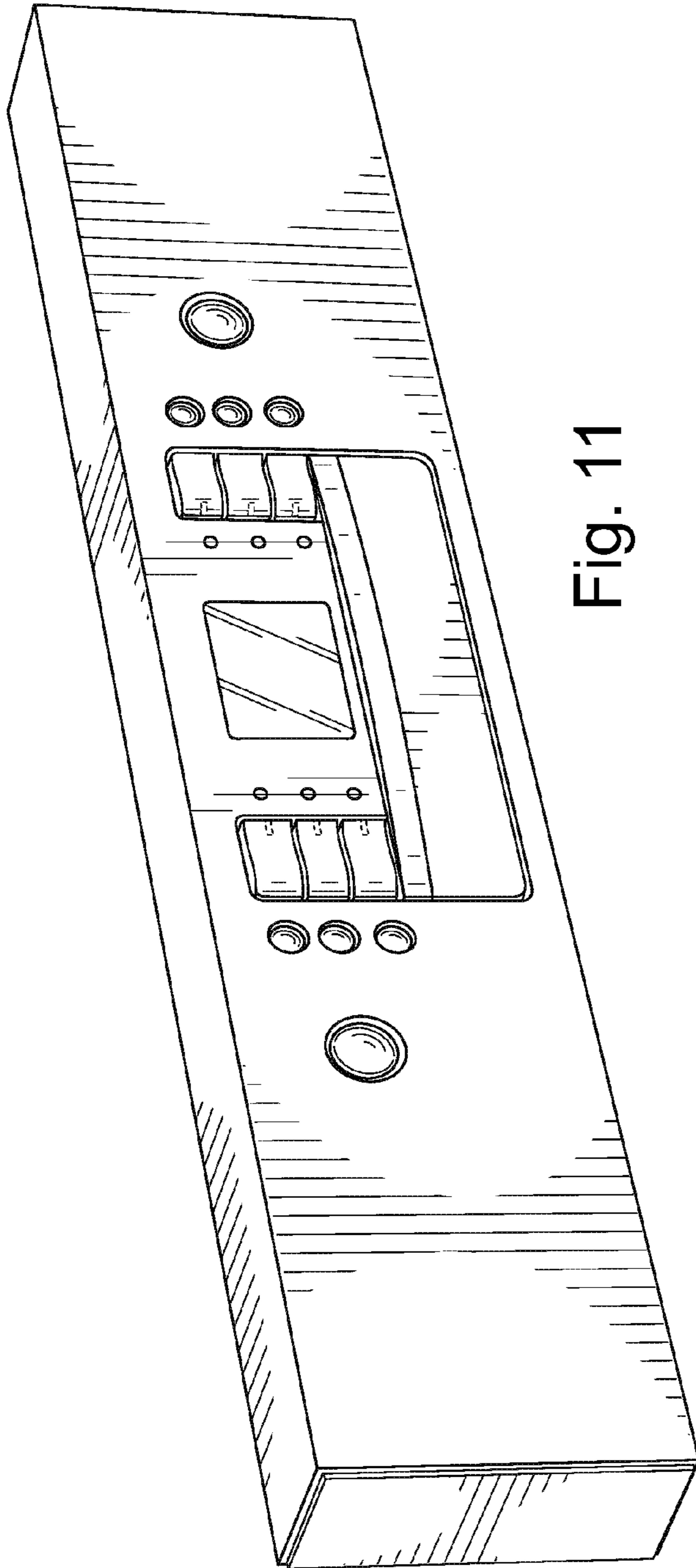


Fig. 11

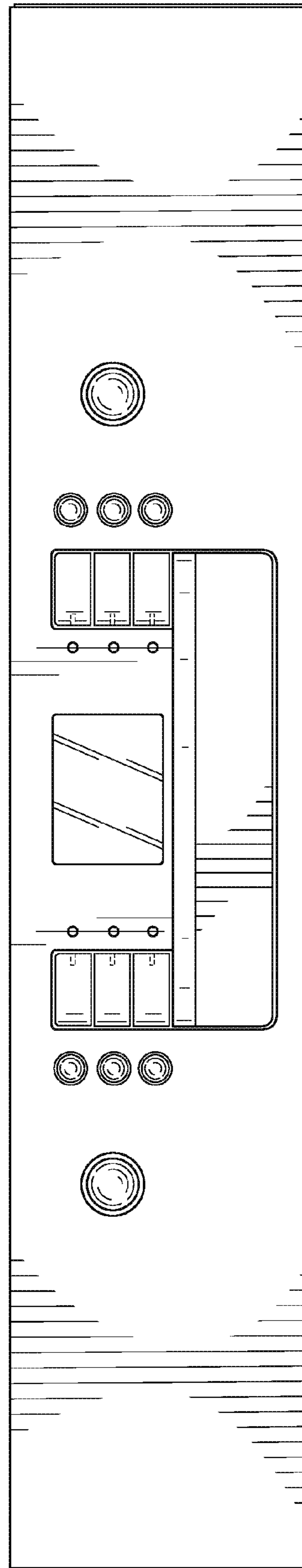


Fig. 12

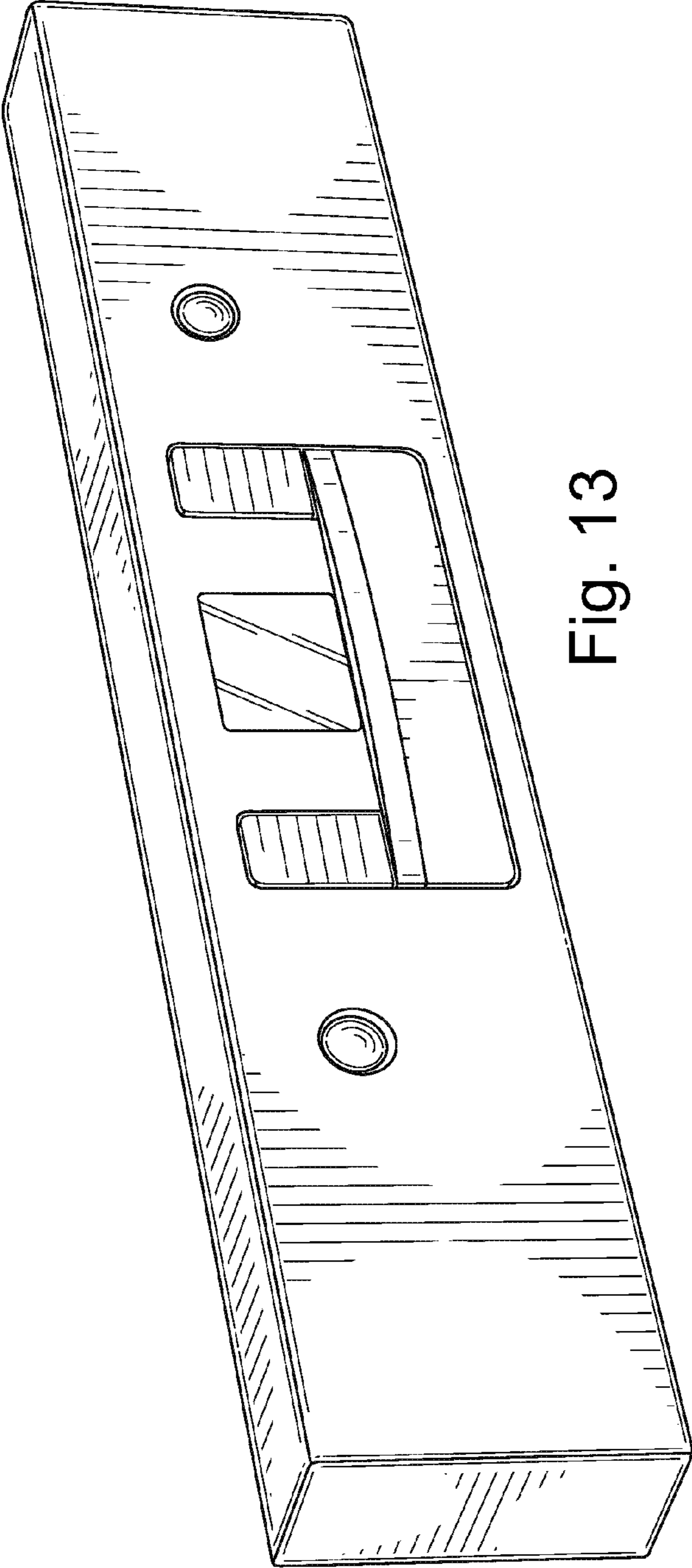


Fig. 13

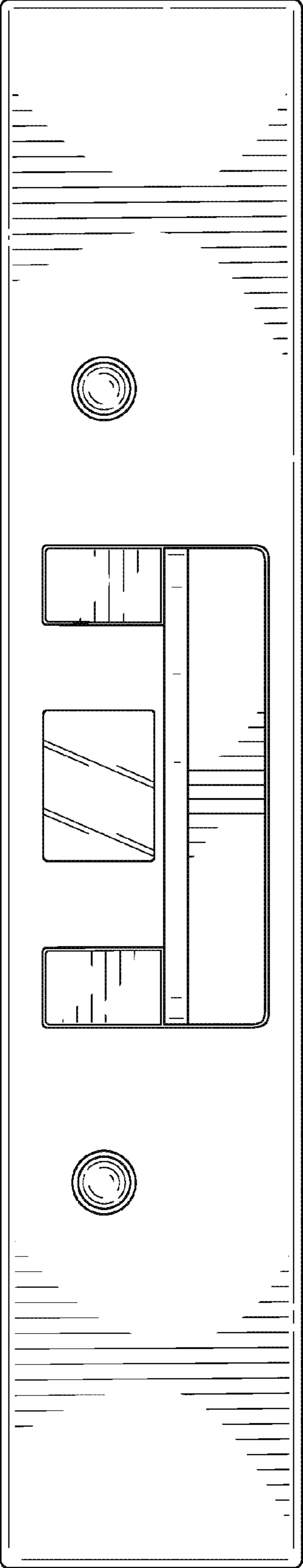


Fig. 14

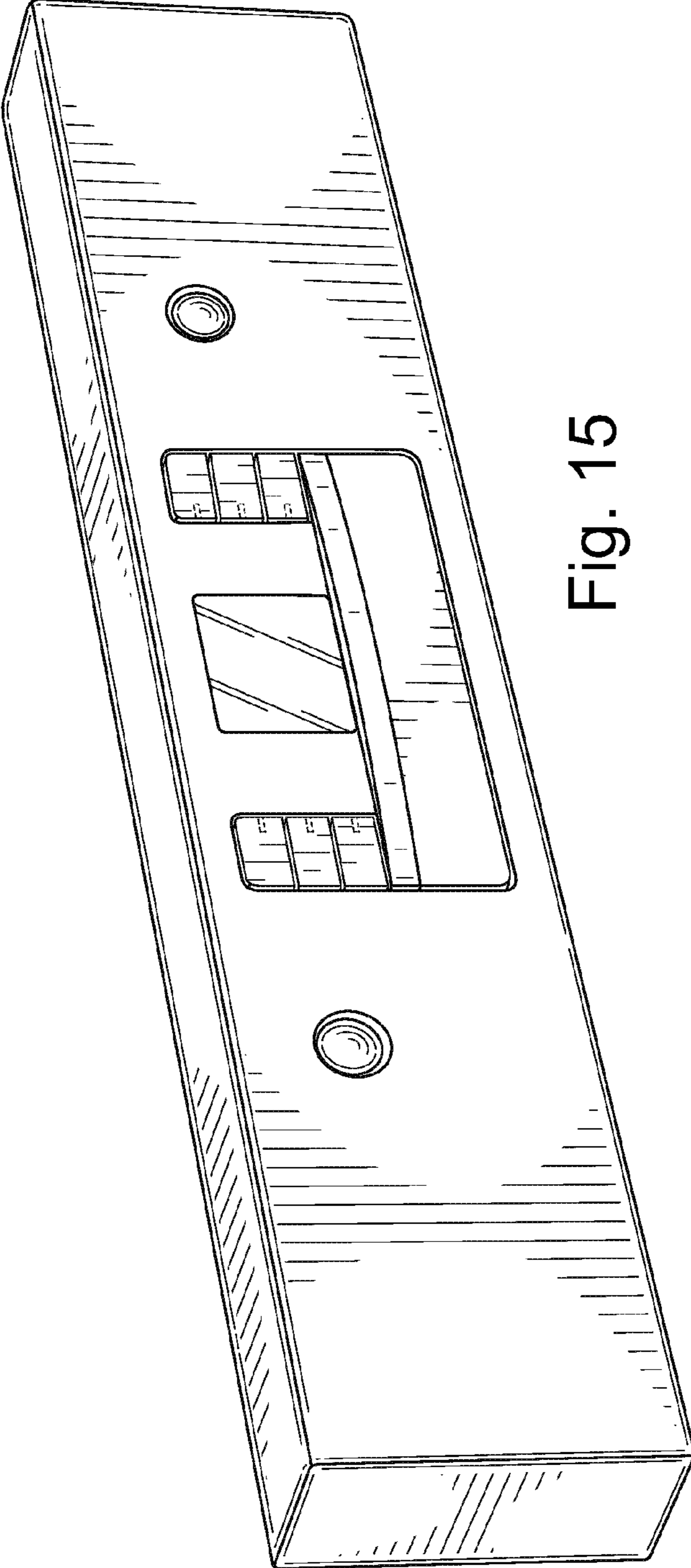


Fig. 15

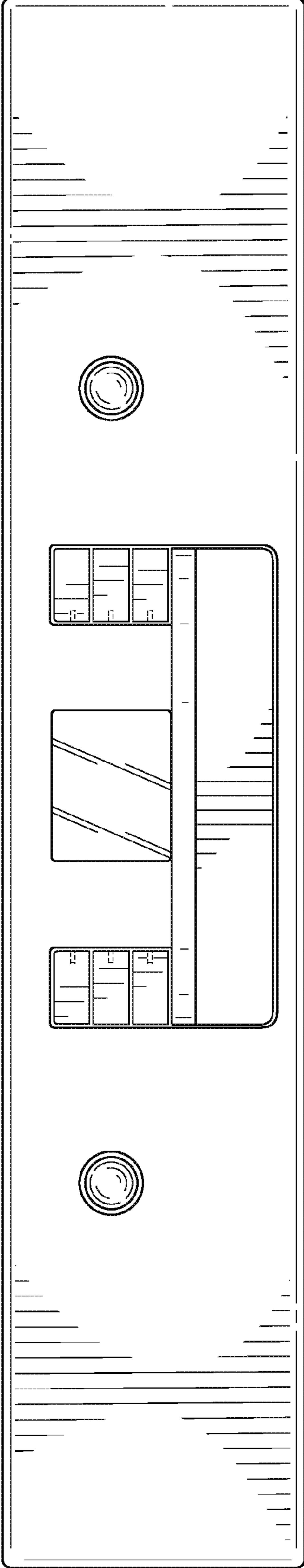


Fig. 16

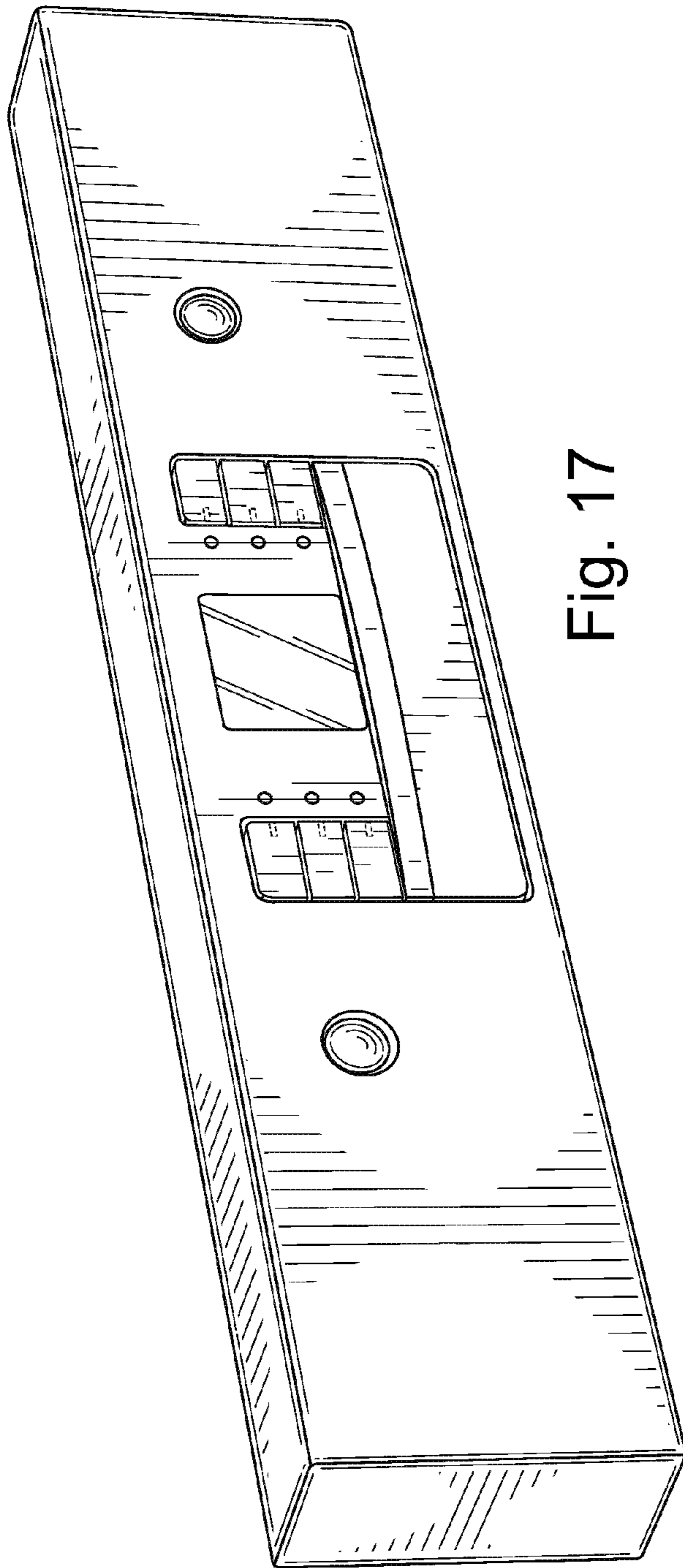


Fig. 17

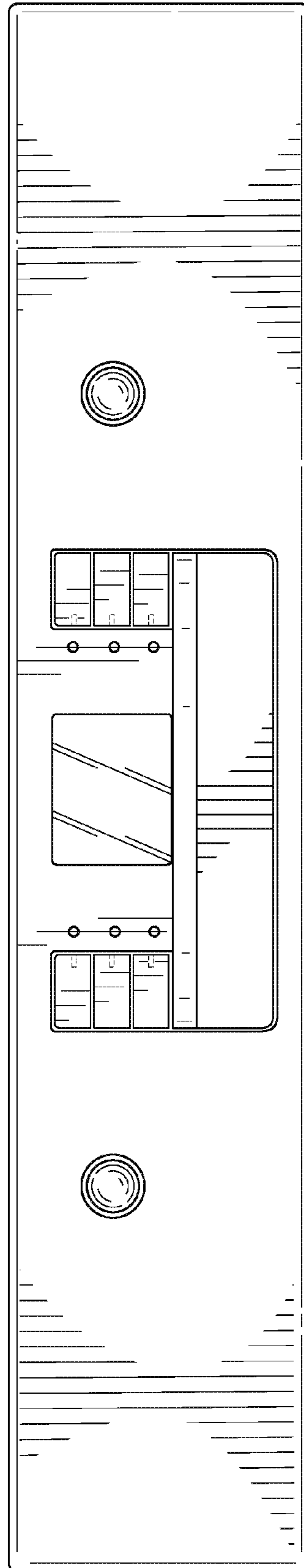


Fig. 18

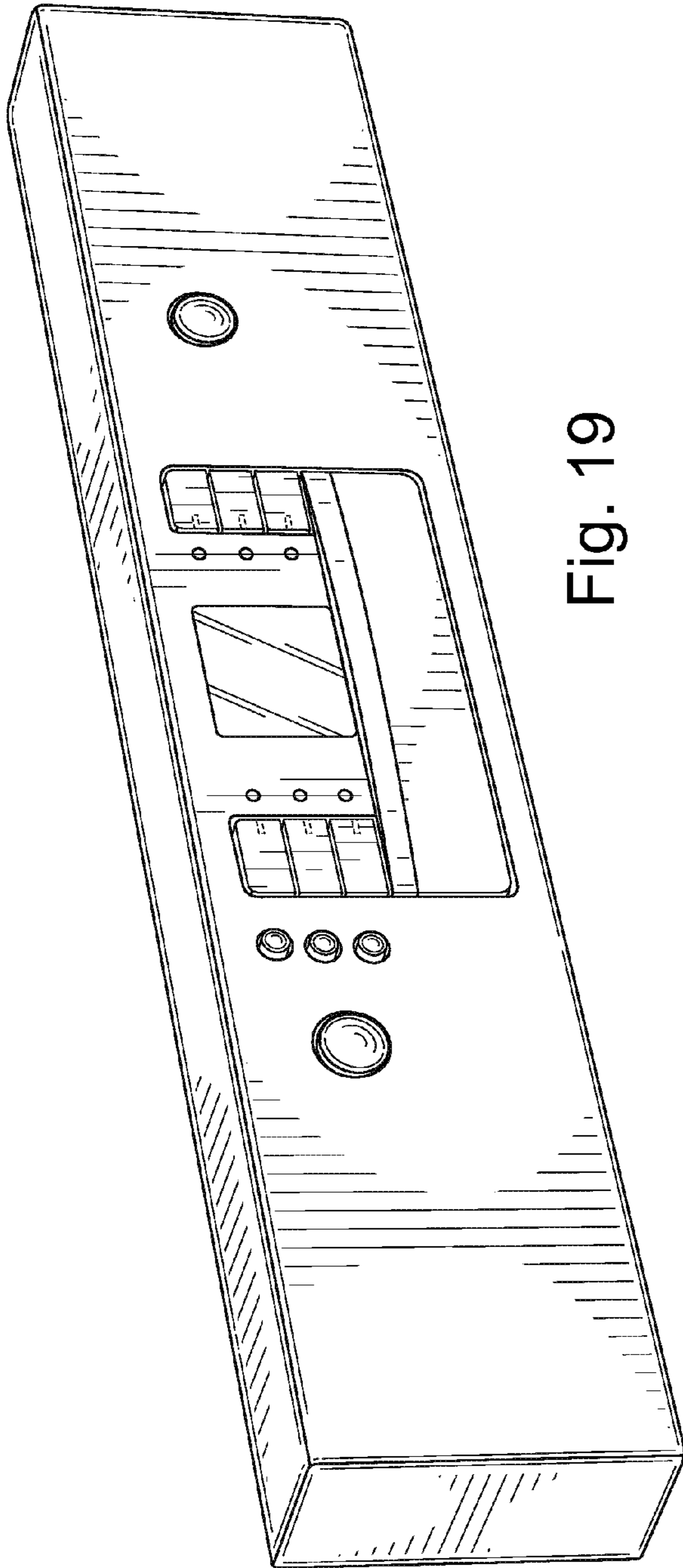


Fig. 19

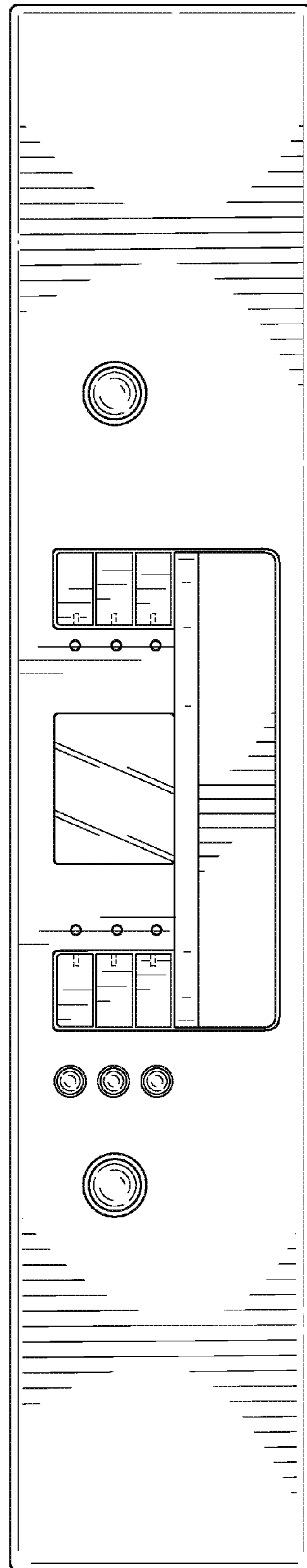


Fig. 20

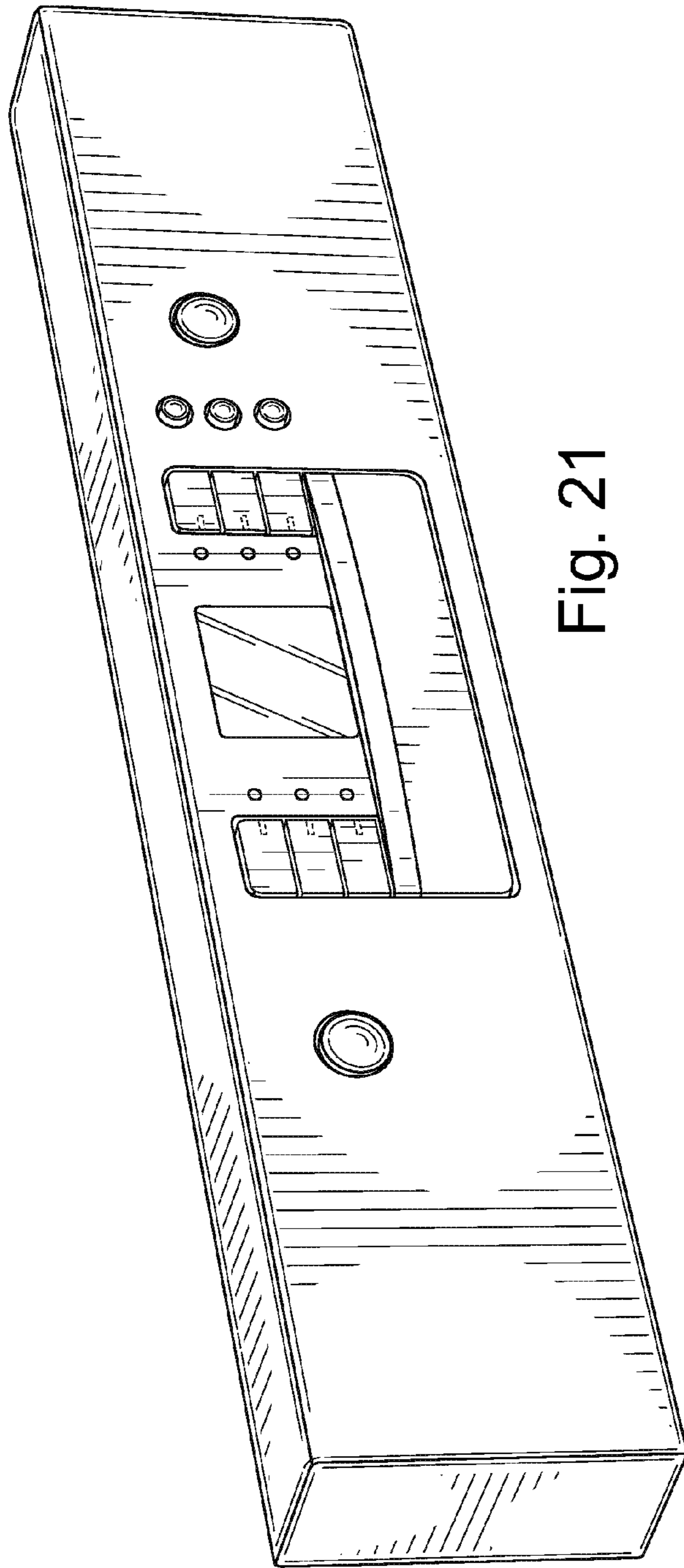


Fig. 21

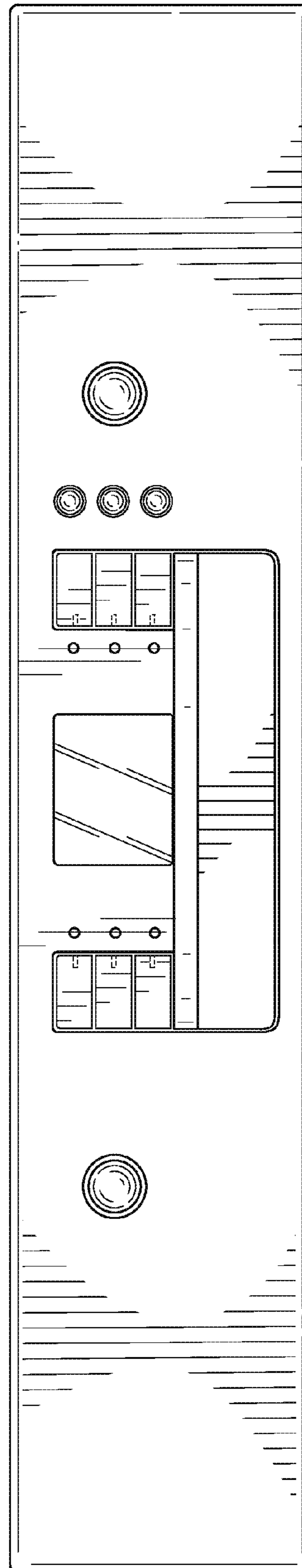


Fig. 22

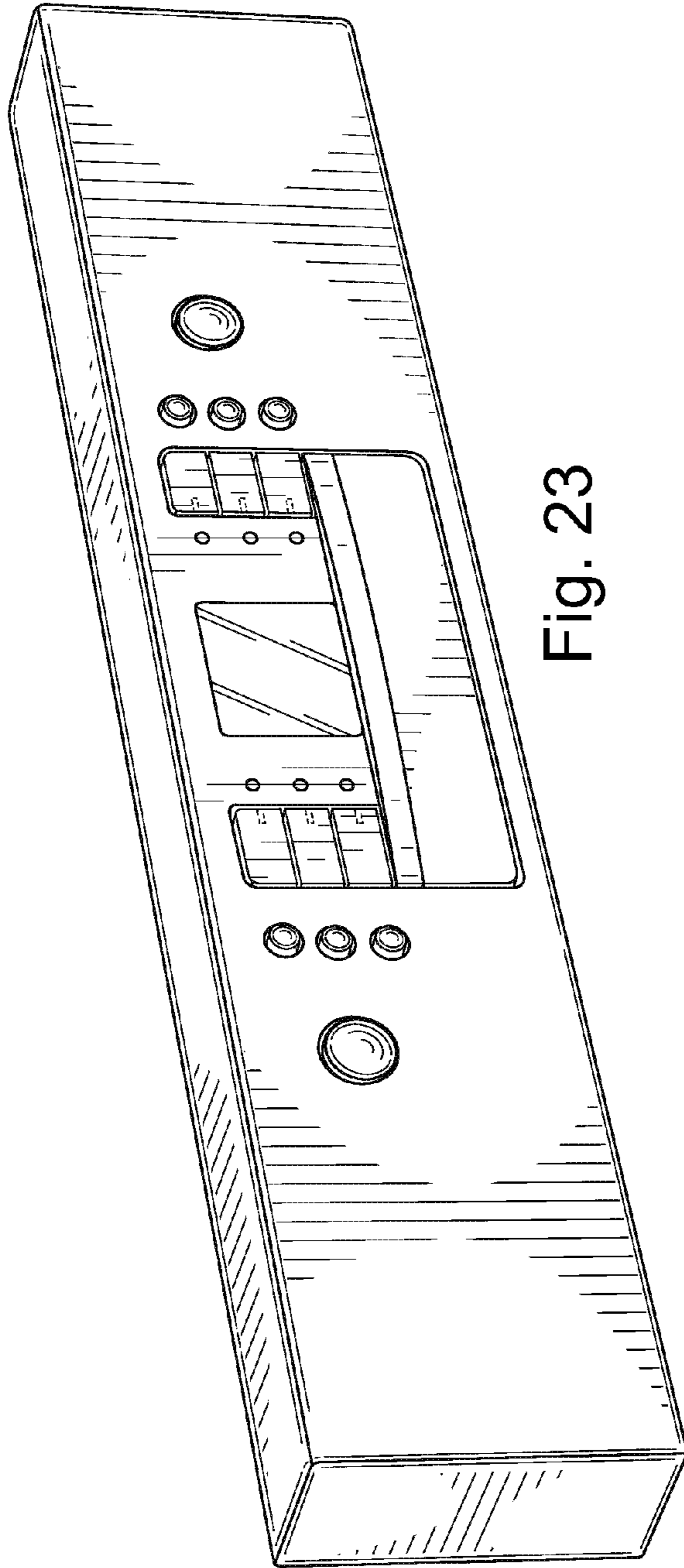


Fig. 23

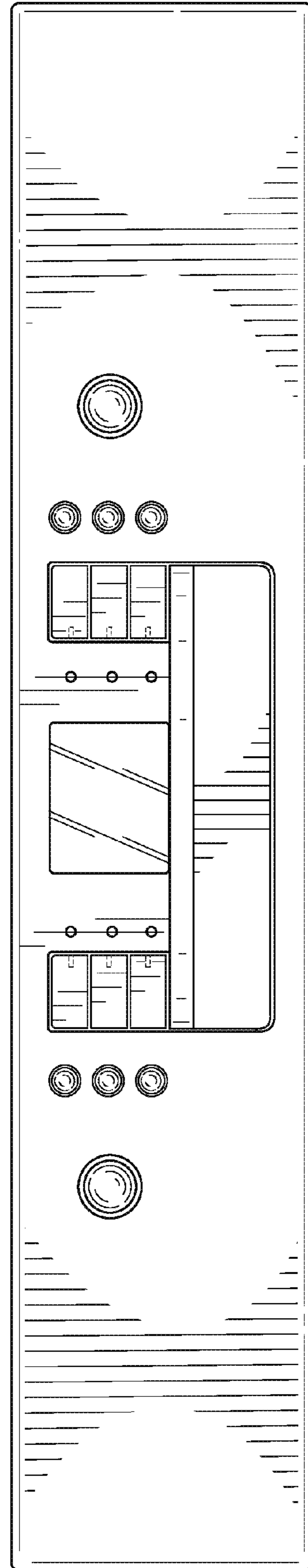


Fig. 24

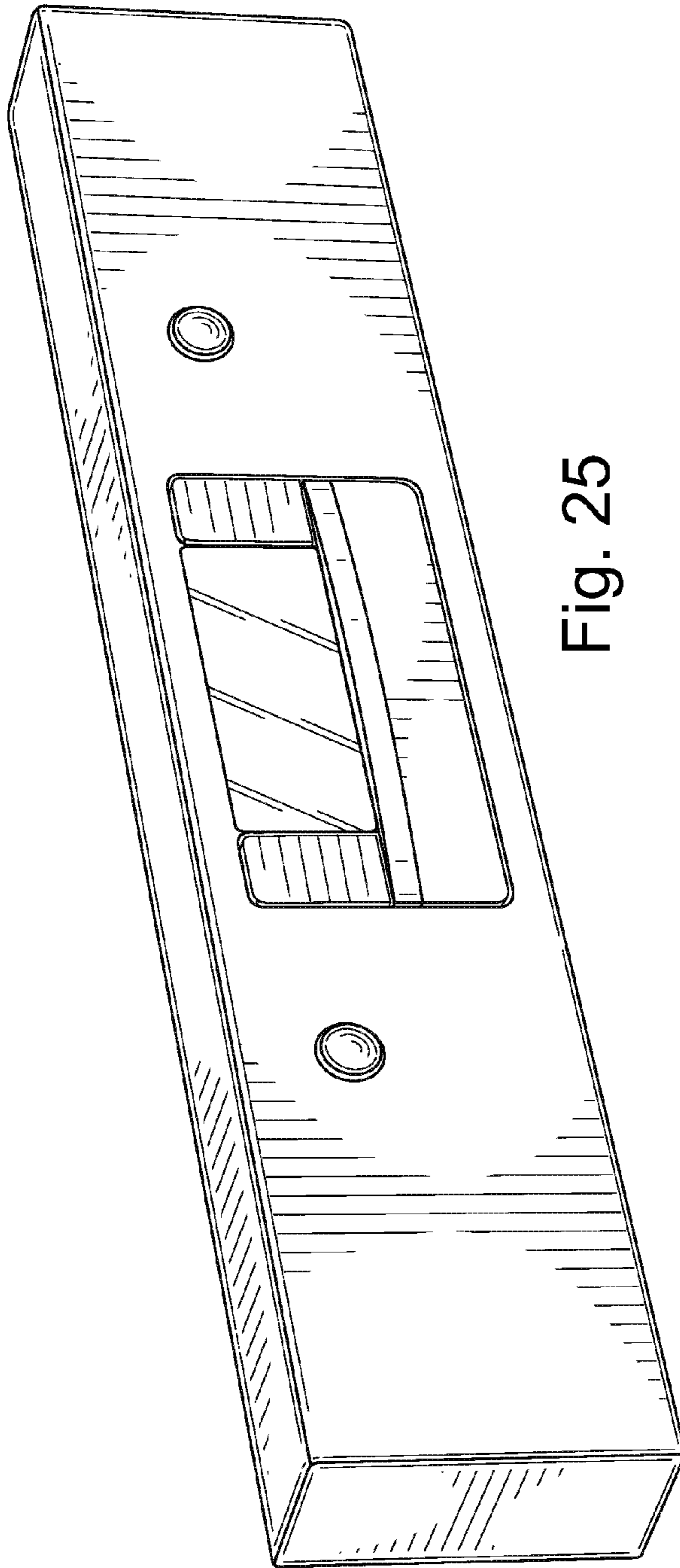


Fig. 25

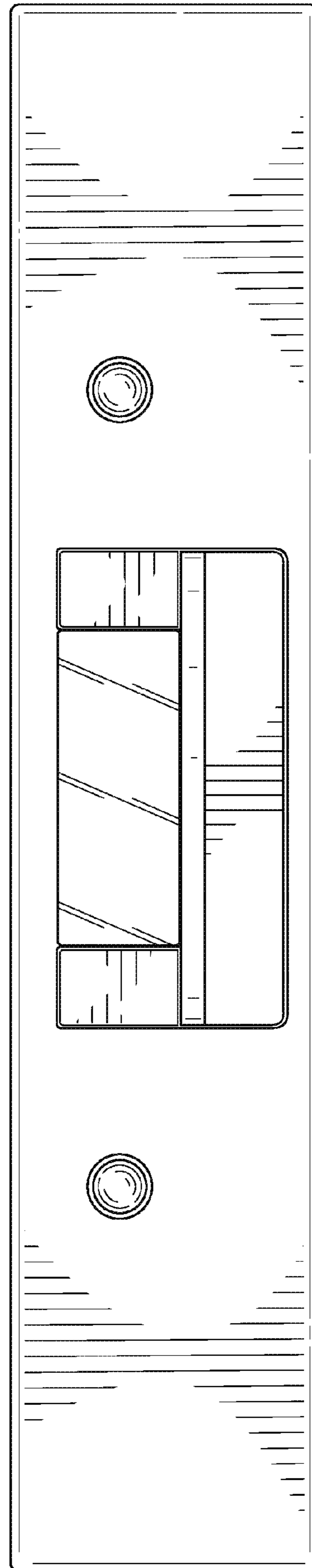


Fig. 26

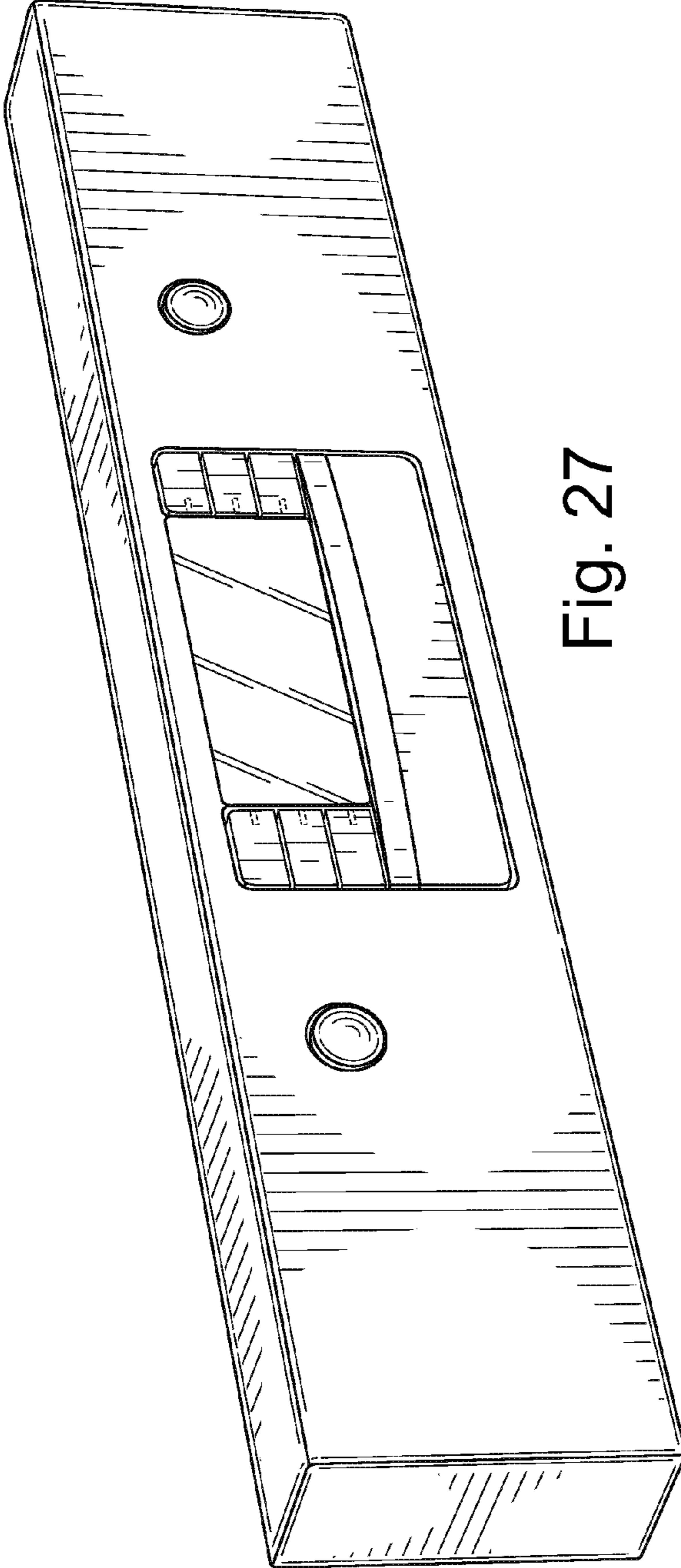


Fig. 27

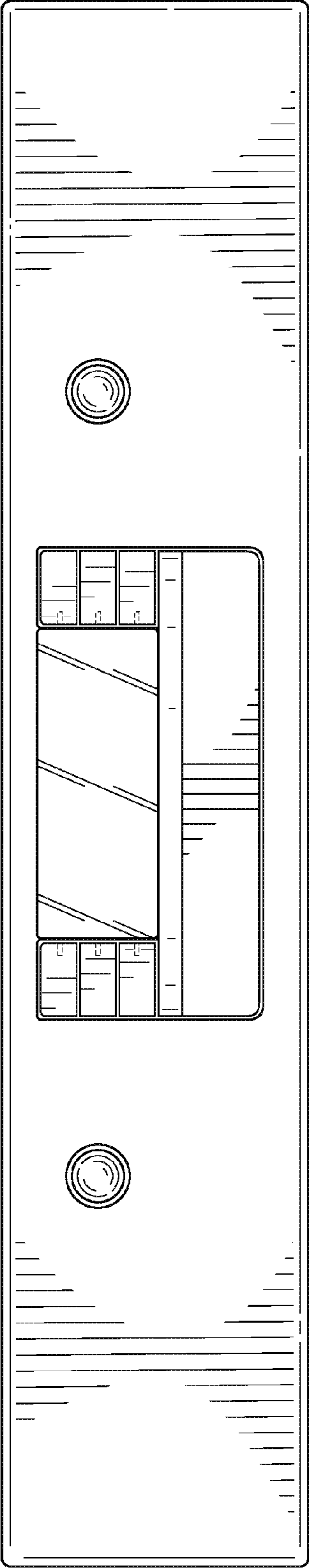


Fig. 28

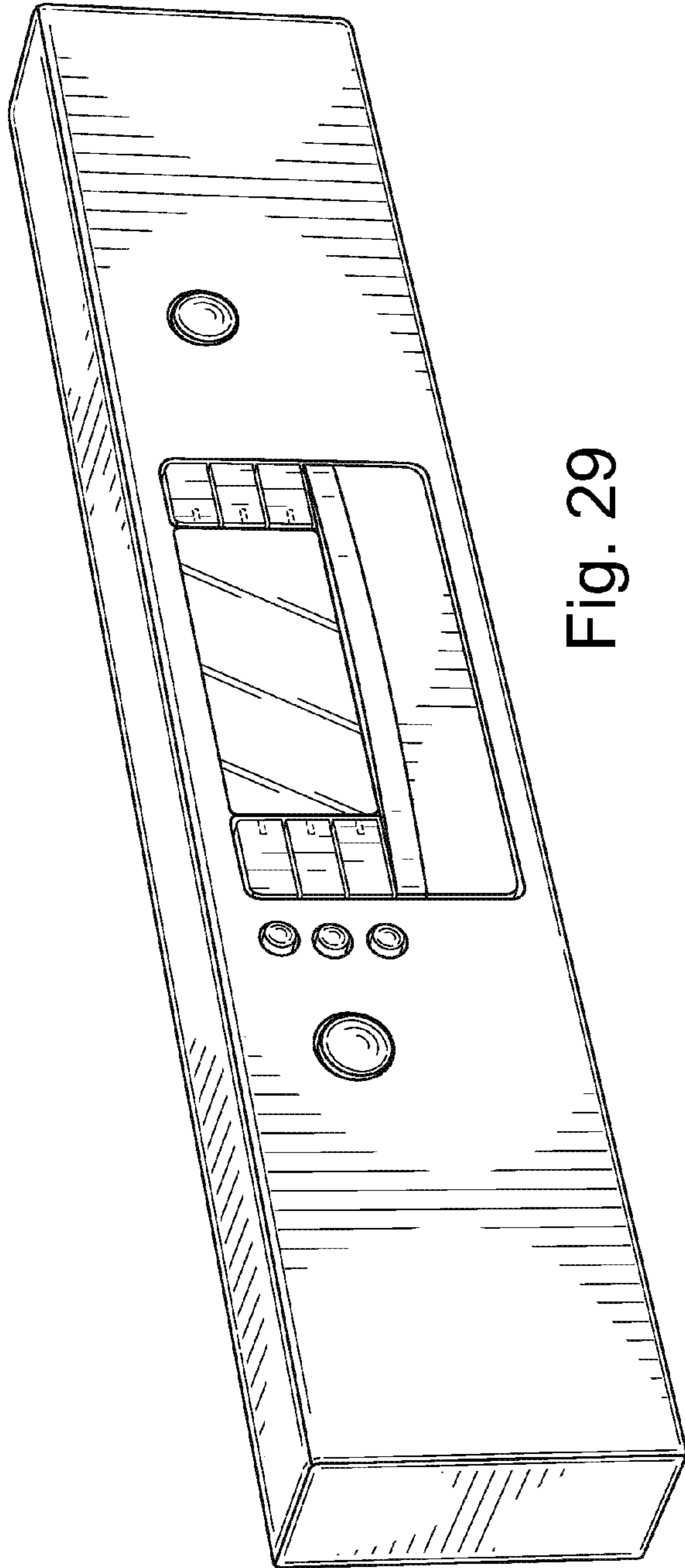


Fig. 29

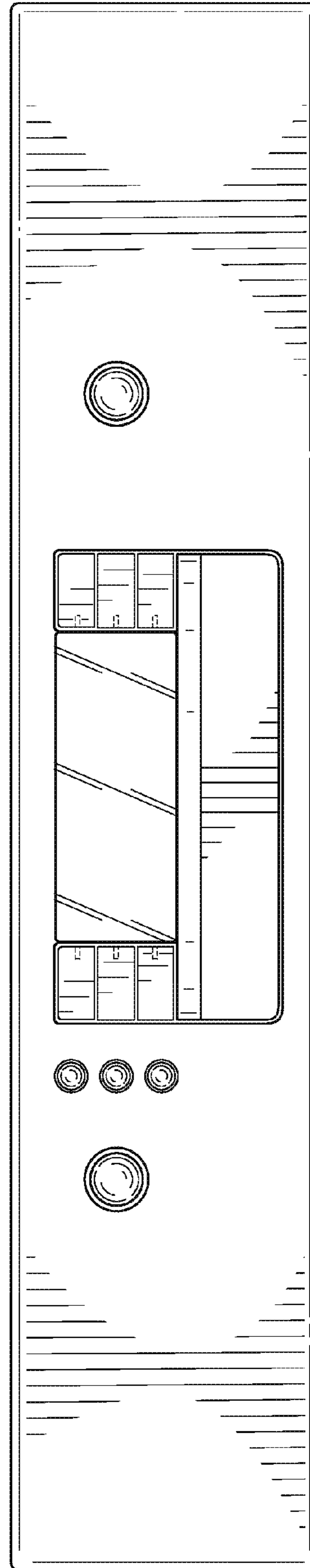


Fig. 30

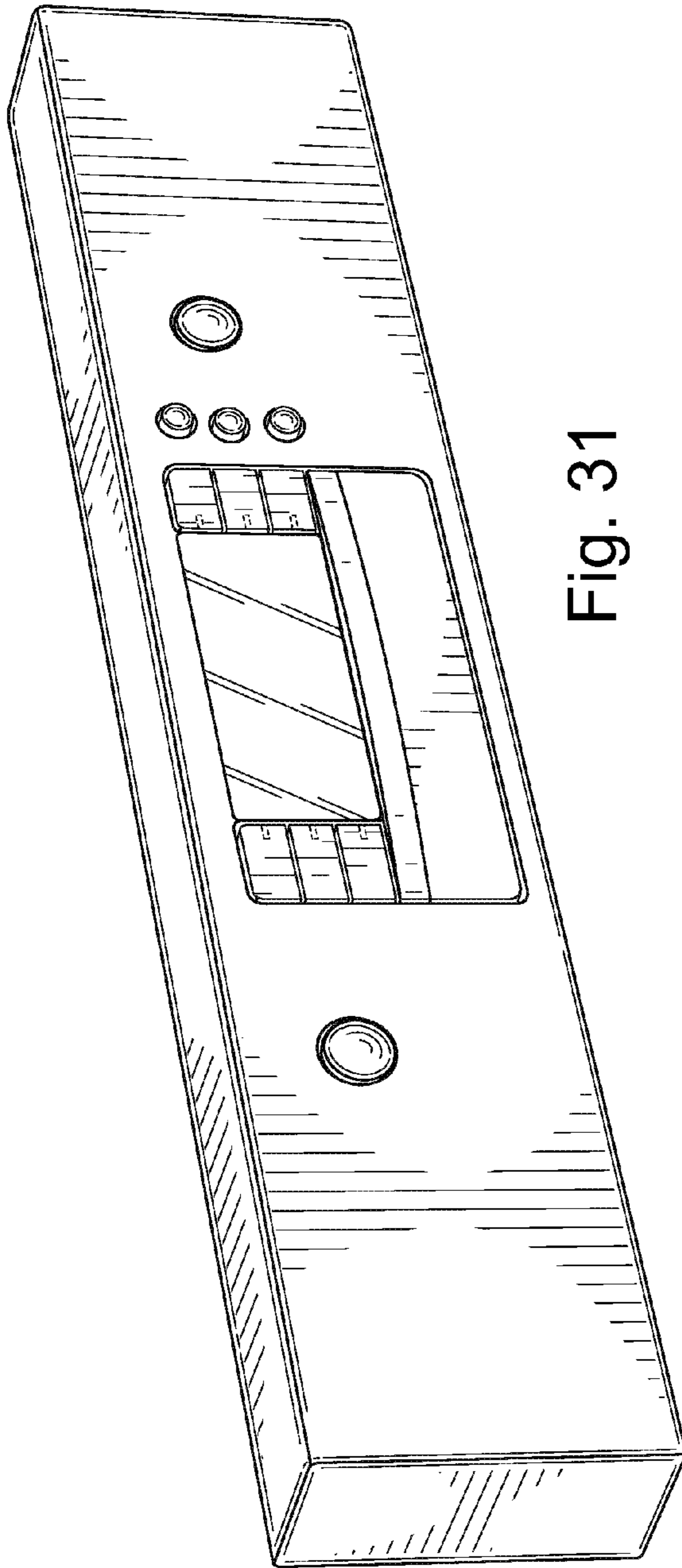


Fig. 31

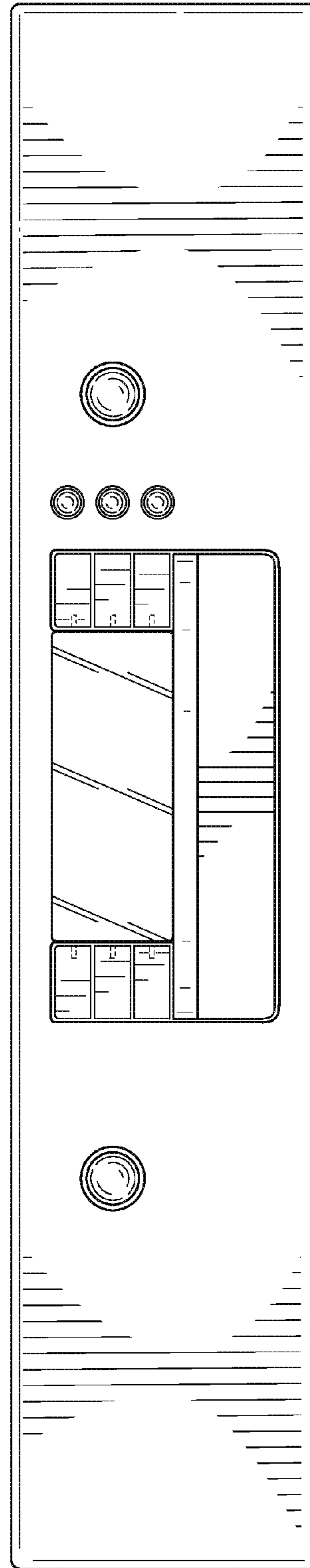


Fig. 32

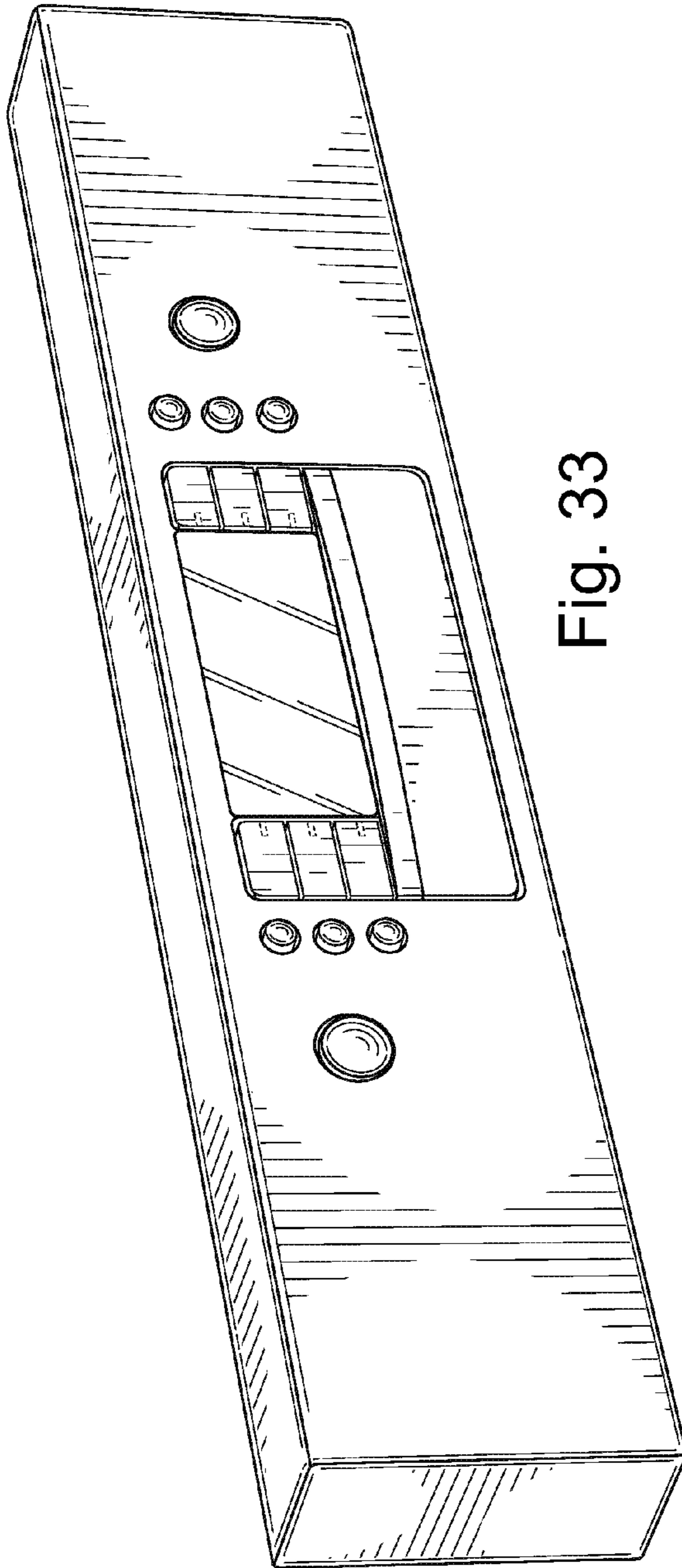


Fig. 33

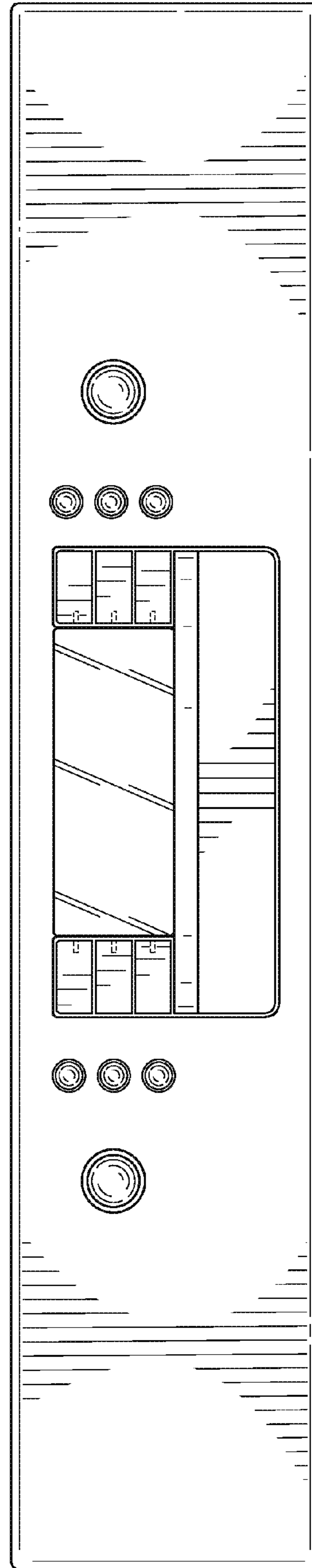


Fig. 34