



US00D618403S

(12) **United States Design Patent**  
**Kaczmarek**

(10) **Patent No.:** **US D618,403 S**  
(45) **Date of Patent:** **\*\* Jun. 22, 2010**

(54) **DISPLAY FOR A DISHWASHER**

(75) Inventor: **Wolfgang Kaczmarek**, Schwindegg  
(DE)

(73) Assignee: **BSH Bosch und Siemens Hausgeraete GmbH**, Munich (DE)

(\*\*) Term: **14 Years**

(21) Appl. No.: **29/310,830**

(22) Filed: **Sep. 10, 2008**

(30) **Foreign Application Priority Data**

Mar. 12, 2008 (EM) ..... 000904644

(51) **LOC (9) Cl.** ..... **15-05**

(52) **U.S. Cl.** ..... **D32/3**

(58) **Field of Classification Search** ..... D3/1-3,  
D3/28; D7/340, 348-351, 405; 68/212;  
312/31; 134/56 D, 57 D, 58 D, 58 DL, 113,  
134/201

See application file for complete search history.

(56) **References Cited**

**U.S. PATENT DOCUMENTS**

D530,460 S \* 10/2006 Knochner ..... D32/3  
D539,992 S \* 4/2007 Yamamoto et al. .... D32/2  
D571,064 S \* 6/2008 Eicher et al. .... D32/28  
D573,762 S \* 7/2008 Eicher et al. .... D32/28

\* cited by examiner

*Primary Examiner*—T. Chase Nelson  
*Assistant Examiner*—Kathleen M Sims

(74) *Attorney, Agent, or Firm*—James E. Howard; Andre Pallapies

(57) **CLAIM**

The ornamental design for a display for a dishwasher, as shown and described.

**DESCRIPTION**

FIG. 1 is a perspective view of a first embodiment of a display for a dishwasher showing my new ornamental design;

FIG. 2 is a front view thereof;

FIG. 3 is a perspective view of a second embodiment of a display for a dishwasher showing my new ornamental design;

FIG. 4 is a front view thereof;

FIG. 5 is a perspective view of a third embodiment of a display for a dishwasher showing my new ornamental design;

FIG. 6 is a front view thereof;

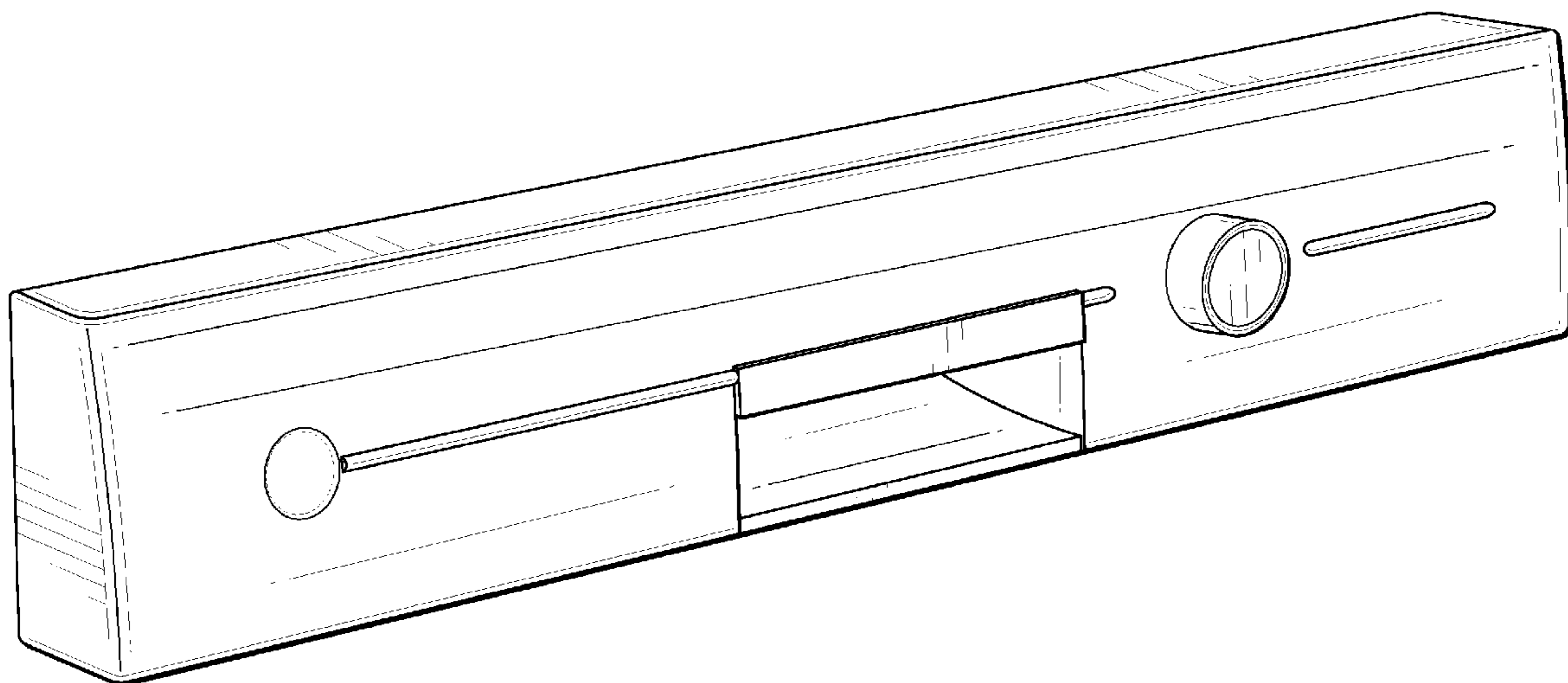
FIG. 7 is a perspective view of a fourth embodiment of a display for a dishwasher showing my new ornamental design; and,

FIG. 8 is a front view thereof.

The rear and bottom views of the displays are not shown and do not form a part of the claimed design.

The broken lines represent environmental structure and do not form a part of the claimed design.

**1 Claim, 8 Drawing Sheets**



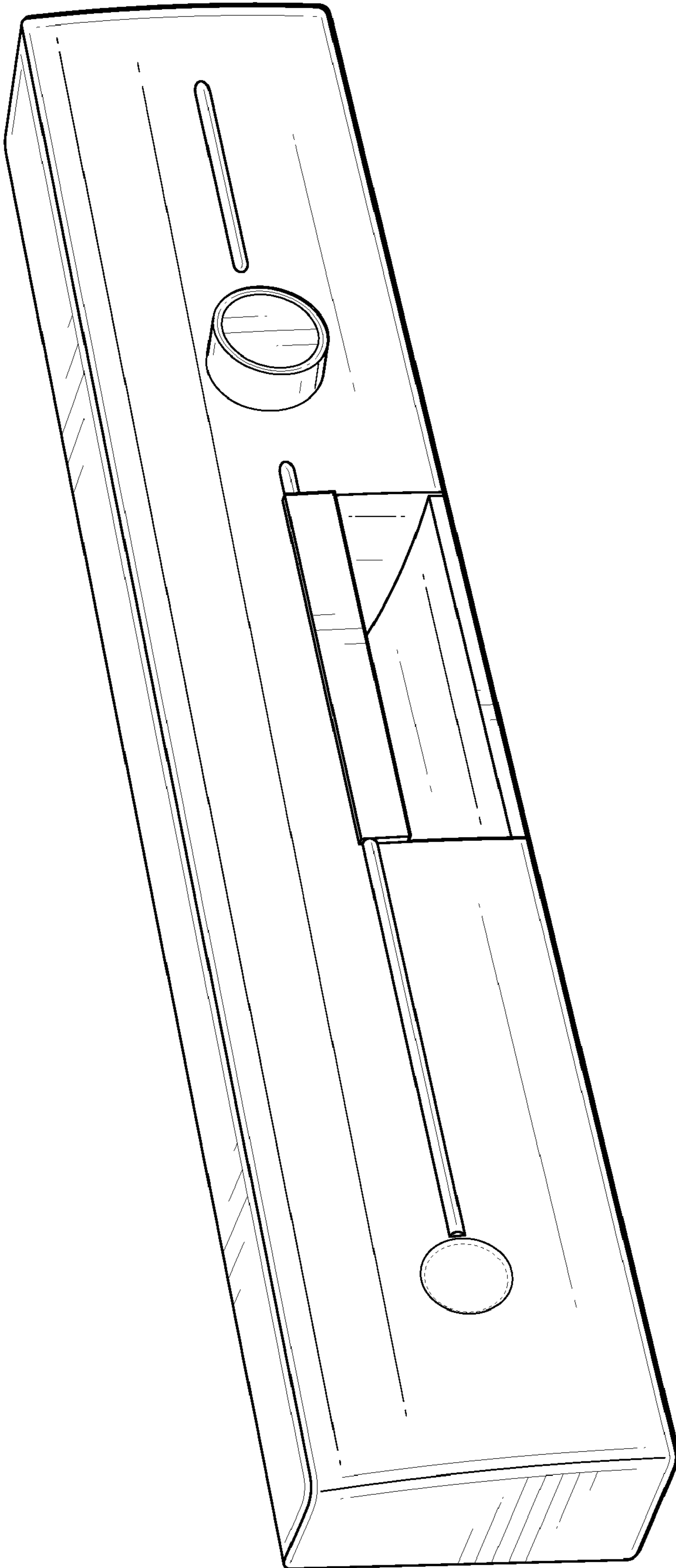


Fig. 1

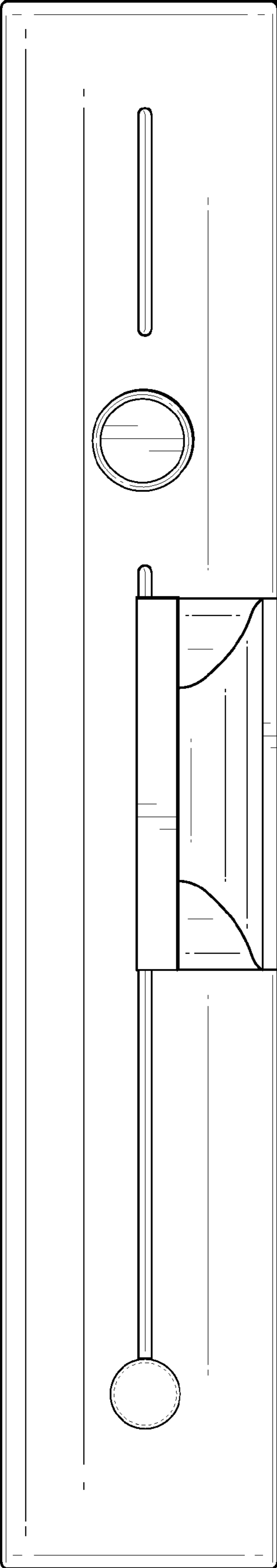


Fig. 2

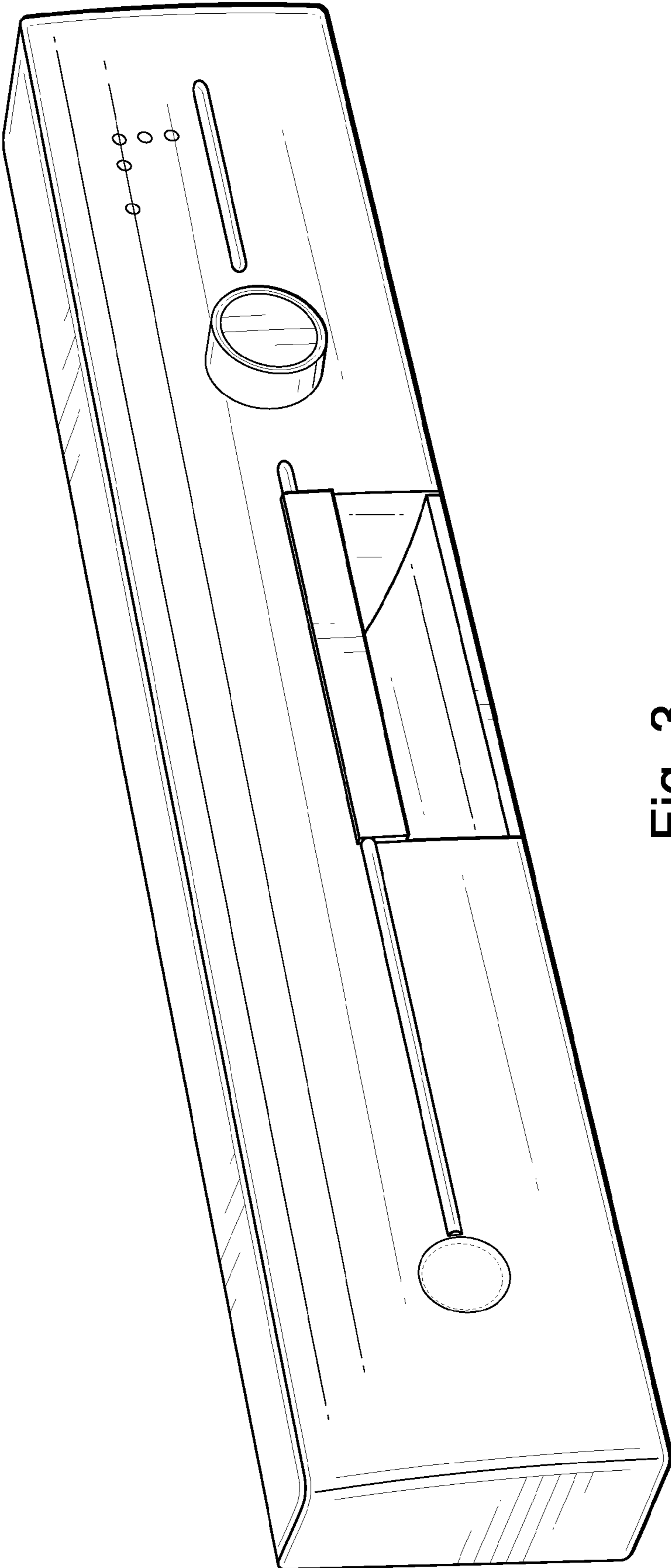


Fig. 3

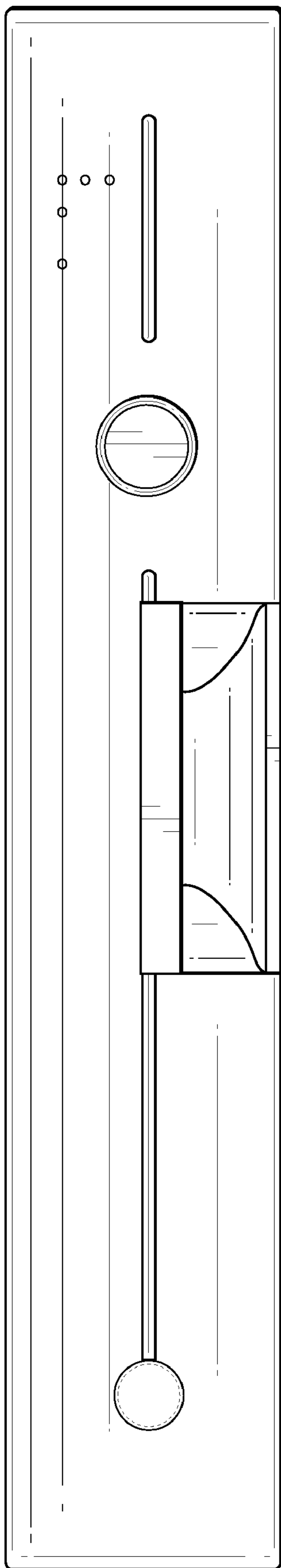


Fig. 4

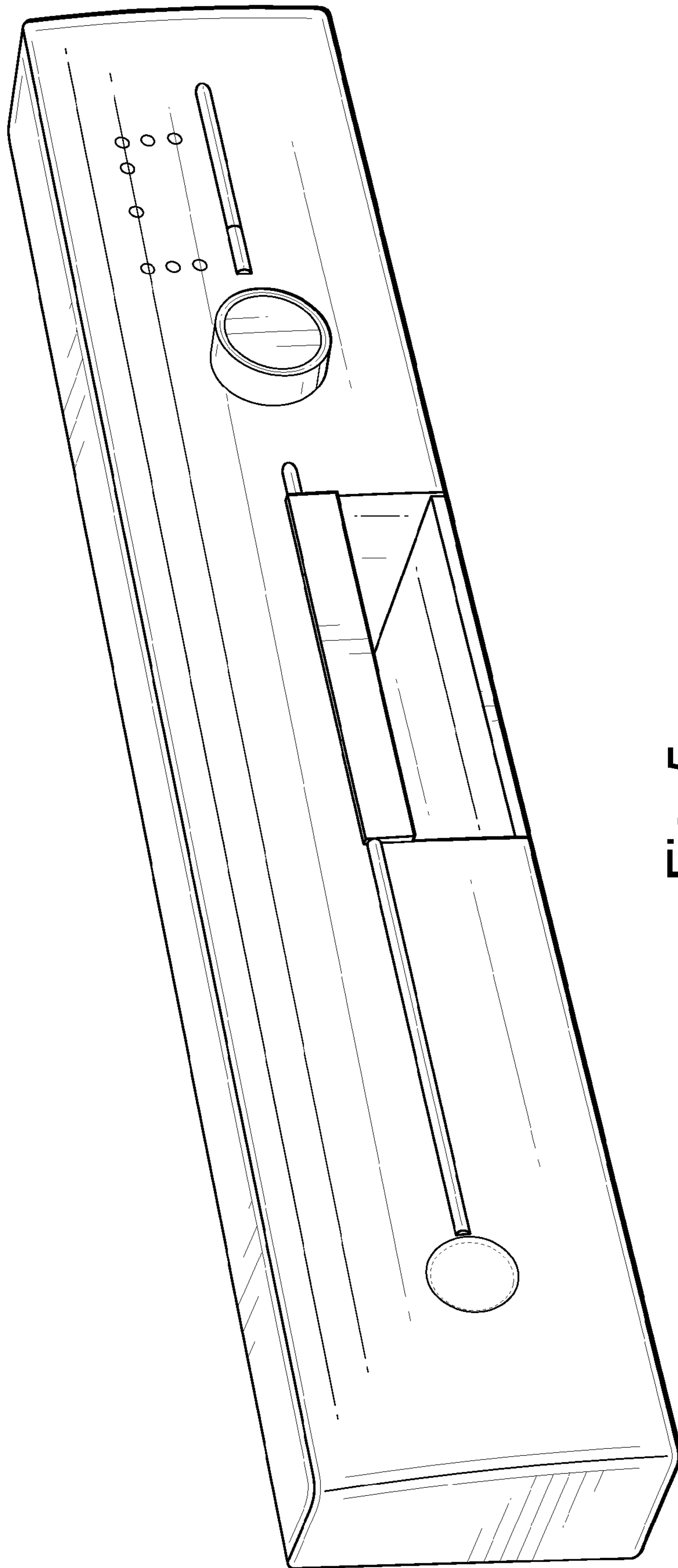


Fig. 5

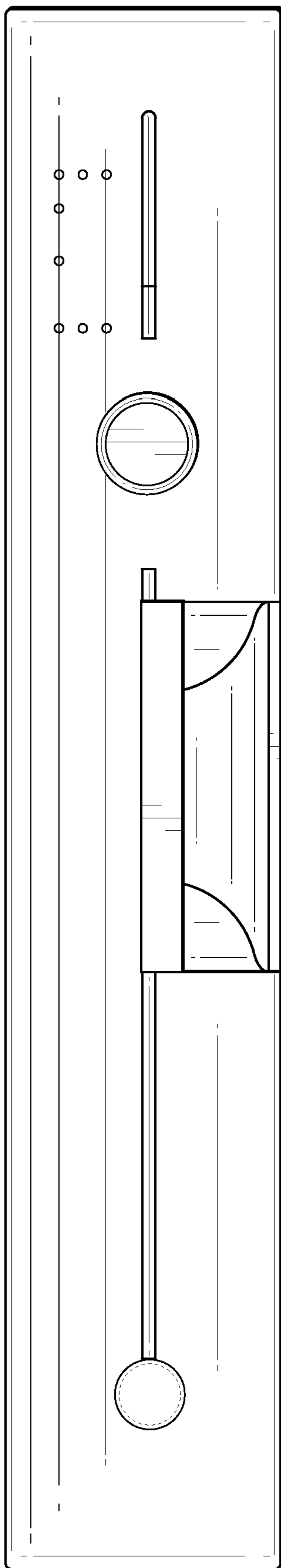


Fig. 6

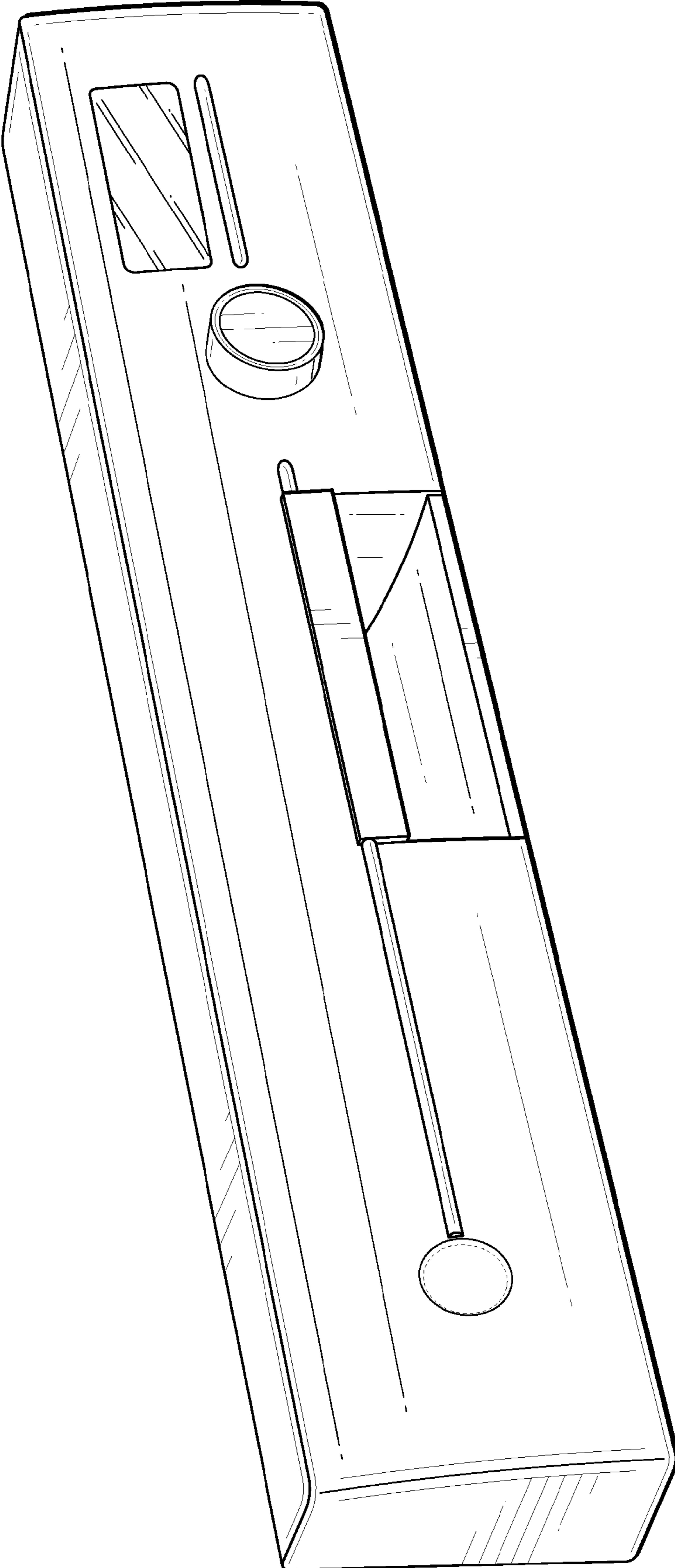


Fig. 7



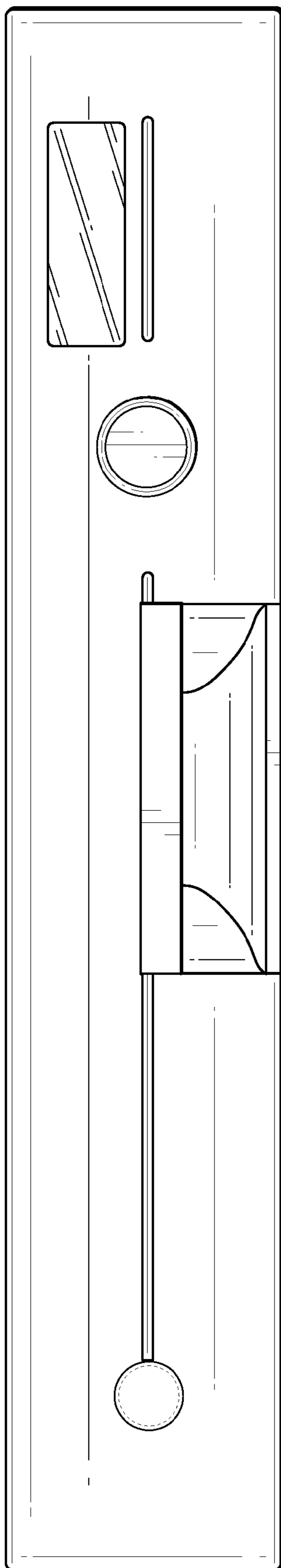


Fig. 8