



US00D618395S

(12) **United States Design Patent**
Mau

(10) **Patent No.:** **US D618,395 S**
(45) **Date of Patent:** **** Jun. 22, 2010**

(54) **HAIR STRAIGHTENER**
(75) Inventor: **Yee Kong Mau**, New Territories (HK)
(73) Assignee: **Kenford Industrial Company Limited**,
Kwai Chung, New Territories (HK)

D581,592 S 11/2008 Hein
D596,796 S * 7/2009 Keong et al. D28/35
D596,801 S 7/2009 Keong
D609,400 S * 2/2010 Yang D28/35
D609,402 S * 2/2010 Cheung D28/35

(**) Term: **14 Years**
(21) Appl. No.: **29/354,282**
(22) Filed: **Jan. 21, 2010**

* cited by examiner

Primary Examiner—Jennifer Rivard
(74) *Attorney, Agent, or Firm*—Intellectual Property Law
Group LLP; Juneko Jackson; Otto O. Lee

(30) **Foreign Application Priority Data**
Nov. 17, 2009 (HK) 0901934.0M002

(57) **CLAIM**

The ornamental design for a hair straightener, as shown and described.

(51) **LOC (9) Cl.** **28-03**
(52) **U.S. Cl.** **D28/35**
(58) **Field of Classification Search** D28/35,
D28/38; 132/223–236; 219/222, 225–227,
219/242

DESCRIPTION

FIG. 1 is a perspective view of a hair straightener embodying my new design;
FIG. 2 is a front elevational view thereof;
FIG. 3 is a rear elevational view thereof;
FIG. 4 is a right side elevational view thereof;
FIG. 5 is a left side elevational view thereof;
FIG. 6 is a top plan view thereof; and,
FIG. 7 is a bottom plan view thereof.

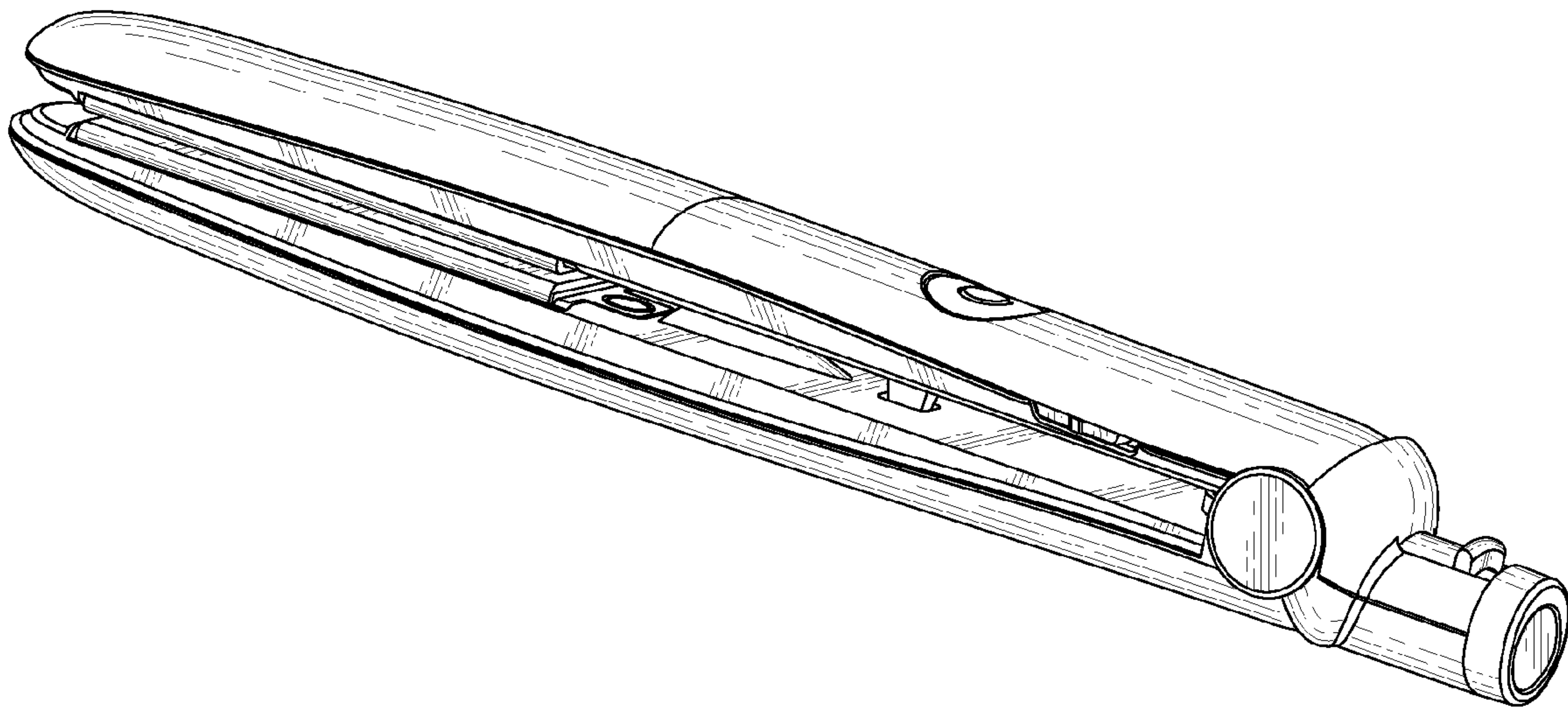
See application file for complete search history.

(56) **References Cited**

U.S. PATENT DOCUMENTS

D511,023 S * 10/2005 Cho D28/35
D559,447 S 1/2008 Leung
D567,440 S 4/2008 Migliori et al.
D569,549 S 5/2008 Leung

1 Claim, 3 Drawing Sheets



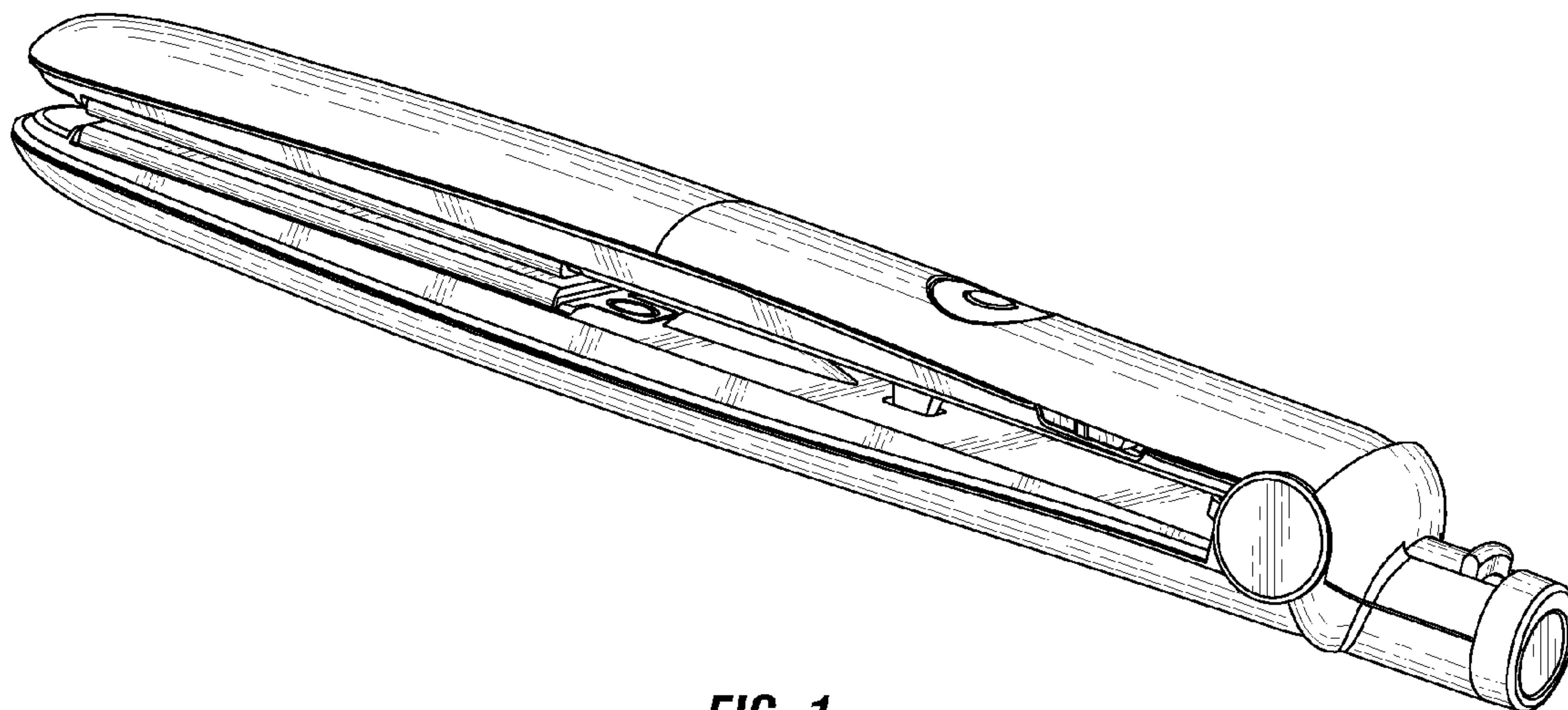


FIG. 1

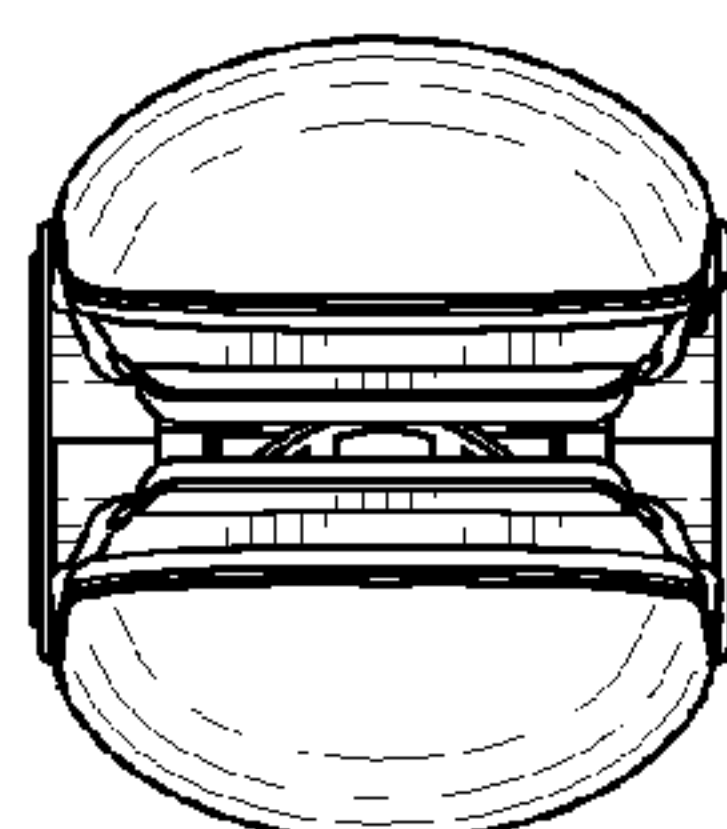


FIG. 2

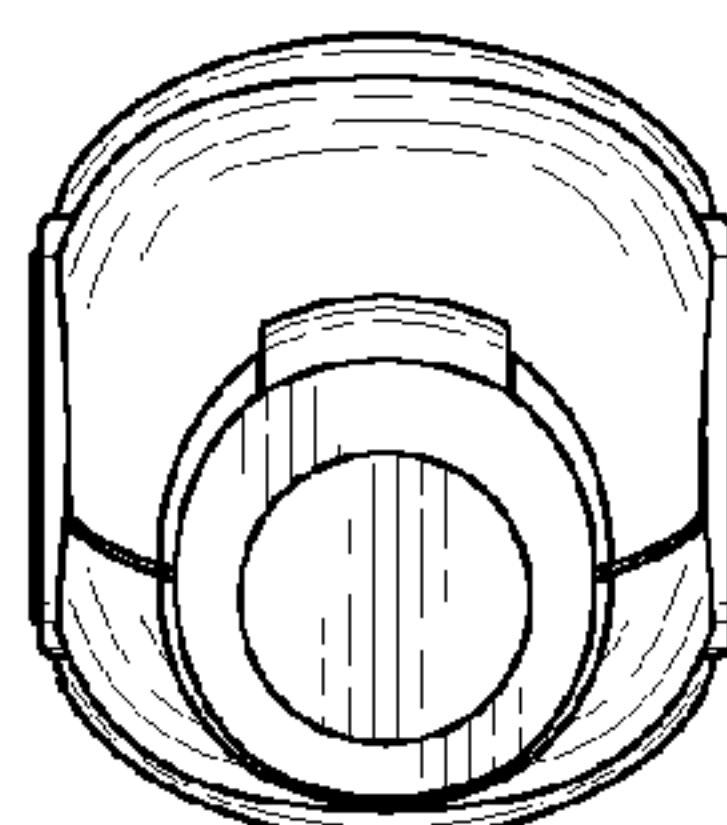


FIG. 3

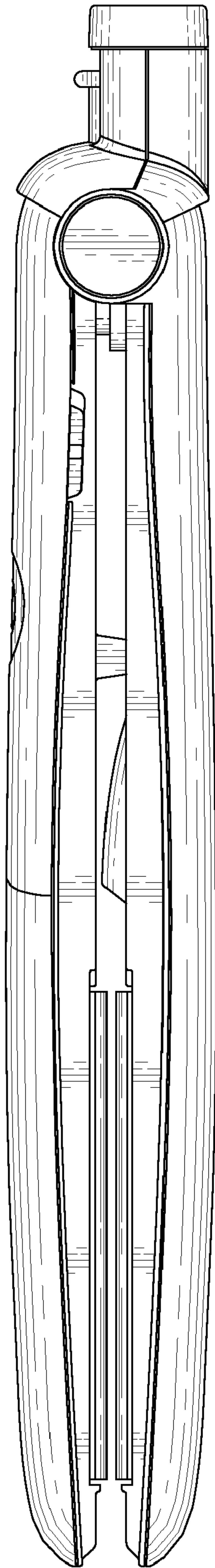


FIG. 4

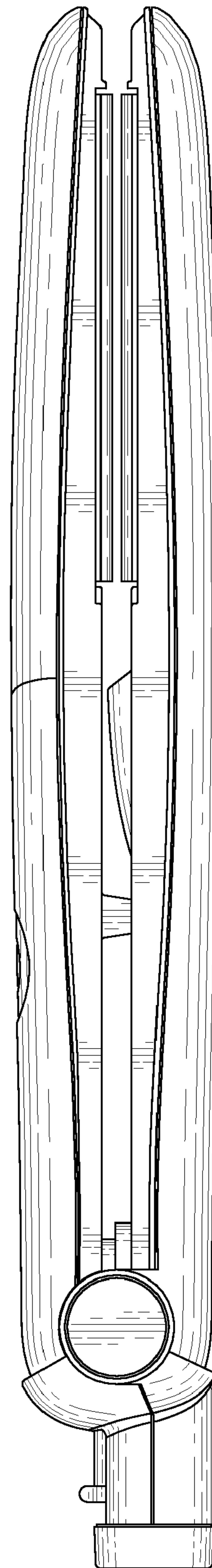


FIG. 5

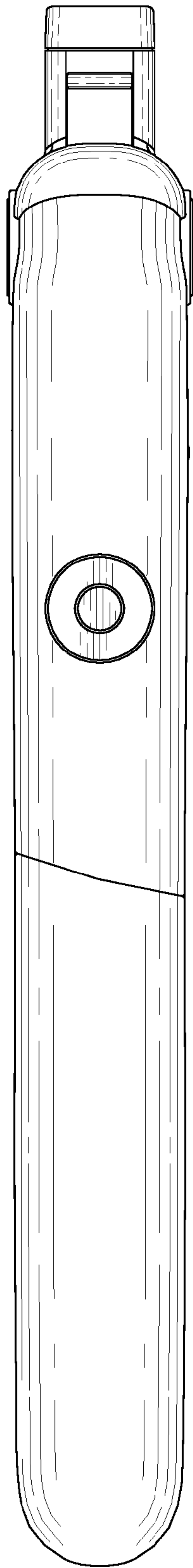


FIG. 6

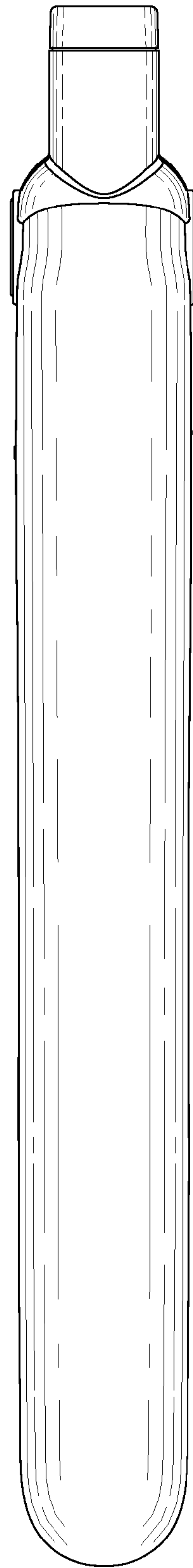


FIG. 7