



US00D618394S

(12) **United States Design Patent**  
**Keong**

(10) **Patent No.:** **US D618,394 S**

(45) **Date of Patent:** **\*\* Jun. 22, 2010**

(54) **CURLING TONG**

D605,359 S \* 12/2009 Keong ..... D28/35

\* cited by examiner

(75) Inventor: **Wai Ho Michael Keong**, New Territories (HK)

*Primary Examiner*—Jennifer Rivard

(73) Assignee: **Kenford Industrial Company Limited**, Kwai Chung, New Territories (HK)

(74) *Attorney, Agent, or Firm*—Intellectual Property Law Group LLP; Juneko Jackson; Otto O. Lee

(\*\*) Term: **14 Years**

(57) **CLAIM**

(21) Appl. No.: **29/352,735**

The ornamental design for a curling tong, as shown and described.

(22) Filed: **Dec. 23, 2009**

**DESCRIPTION**

(51) **LOC (9) Cl.** ..... **28-03**

FIG. 1 is a perspective view of a curling tong embodying my new design;

(52) **U.S. Cl.** ..... **D28/35**

FIG. 2 is a front elevational view thereof;

(58) **Field of Classification Search** ..... 132/222–225, 132/227–229, 236, 245; 219/222, 225–226; D28/37–38, 35

FIG. 3 is a rear elevational view thereof;

See application file for complete search history.

FIG. 4 is a right side elevational view, the left side elevational view being a mirror image thereof;

(56) **References Cited**

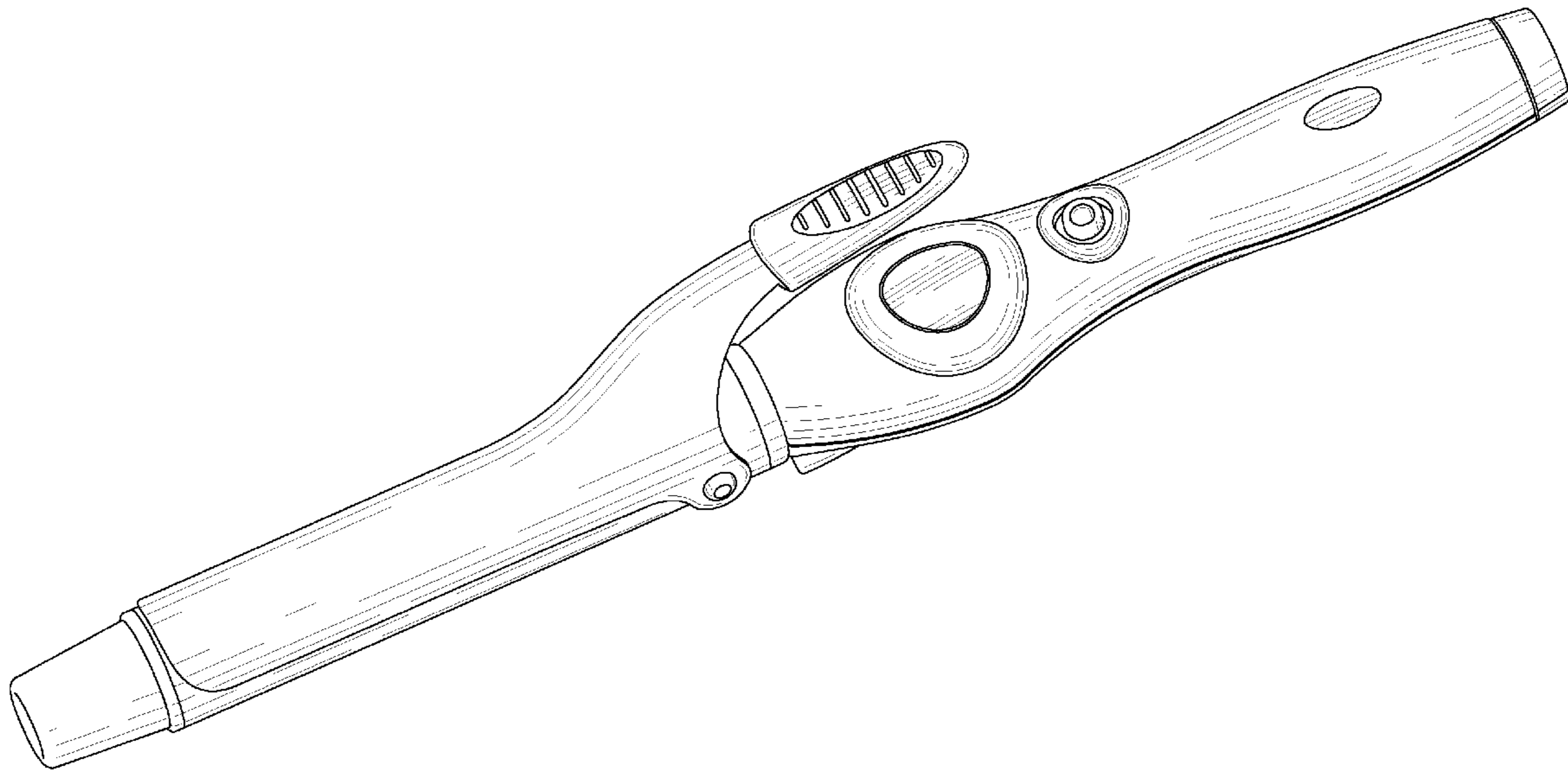
FIG. 5 is a top plan view thereof; and,

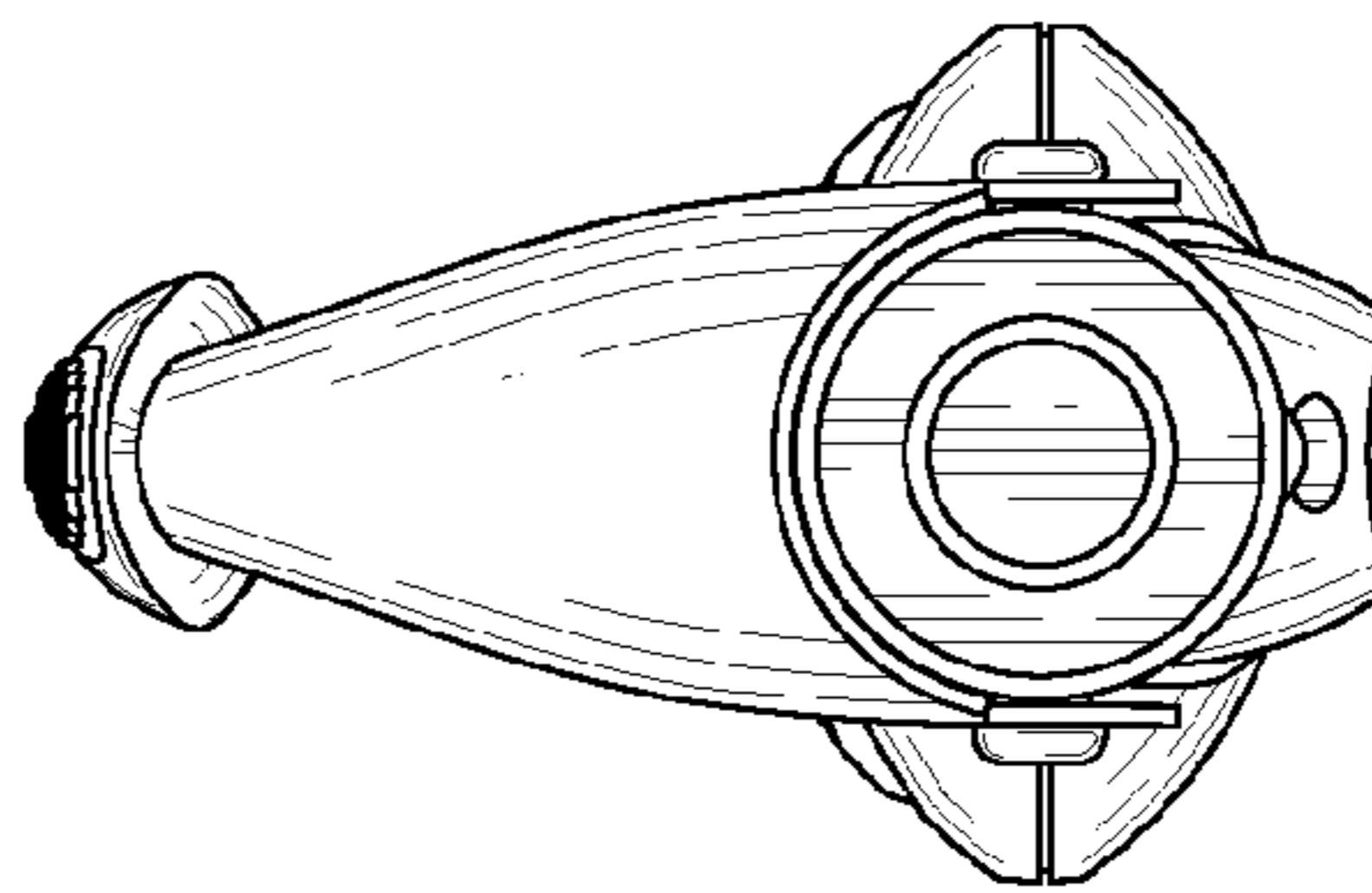
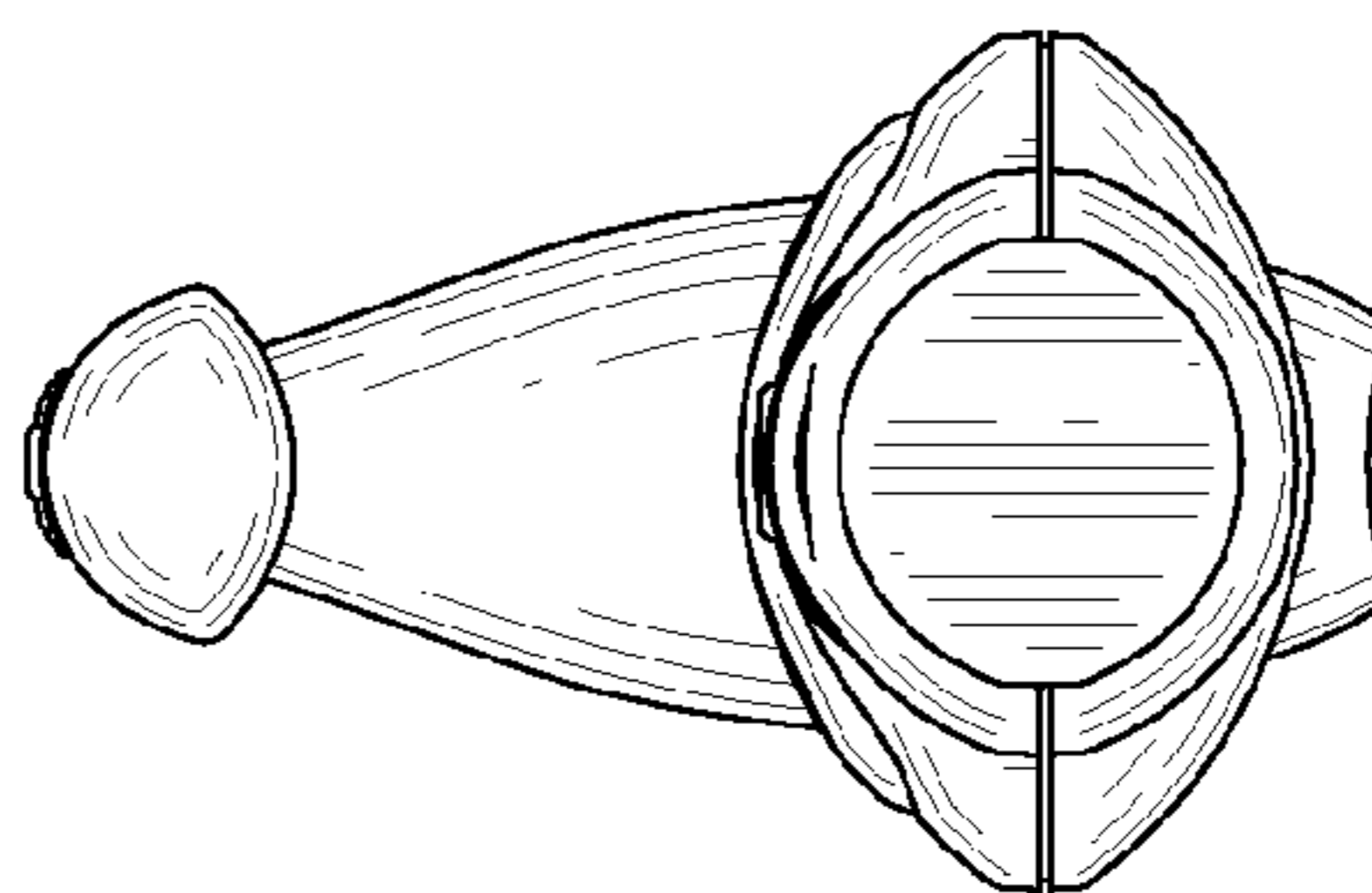
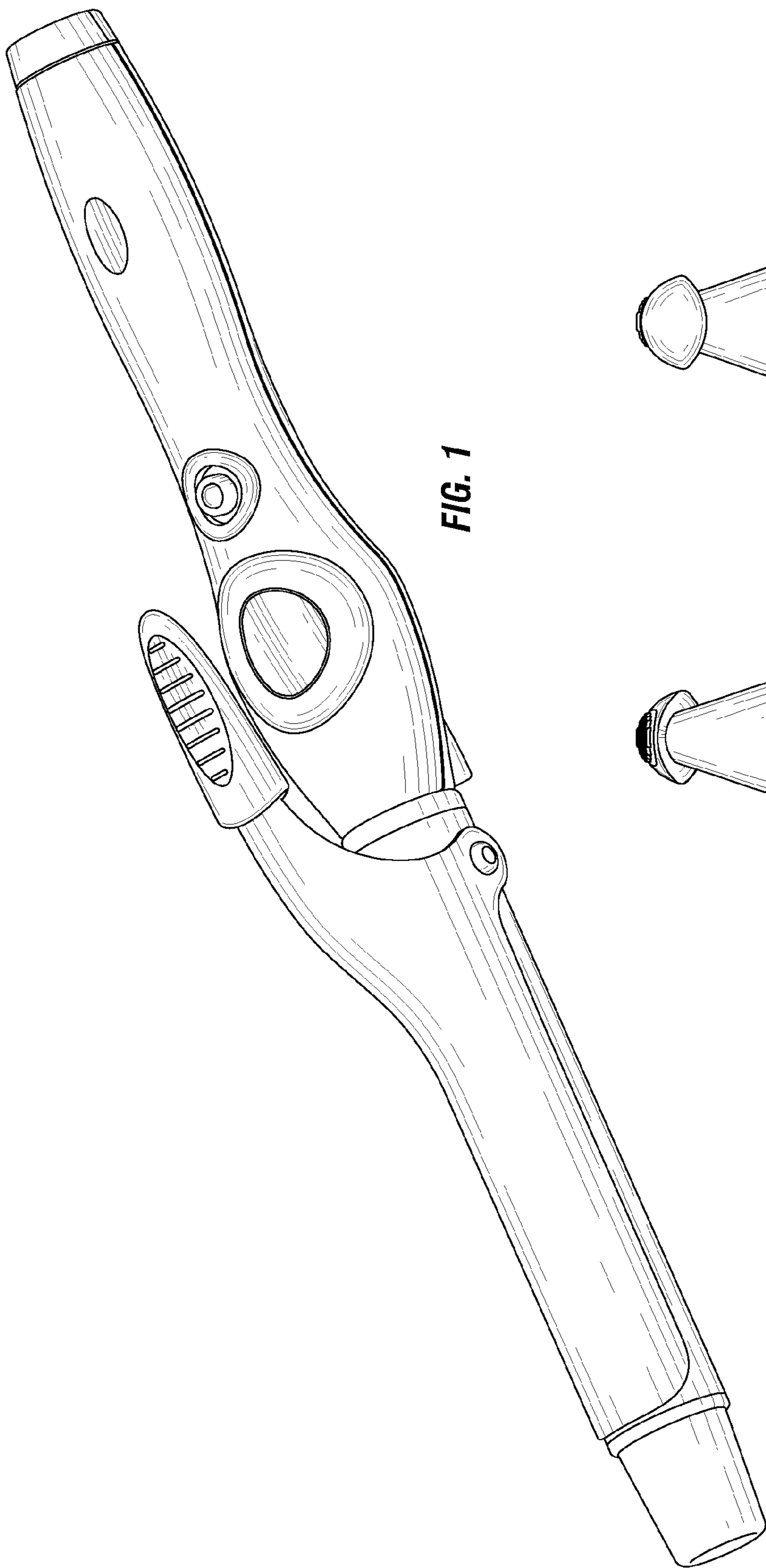
**U.S. PATENT DOCUMENTS**

FIG. 6 is a bottom plan view thereof.

D605,358 S \* 12/2009 Keong ..... D28/35

**1 Claim, 3 Drawing Sheets**





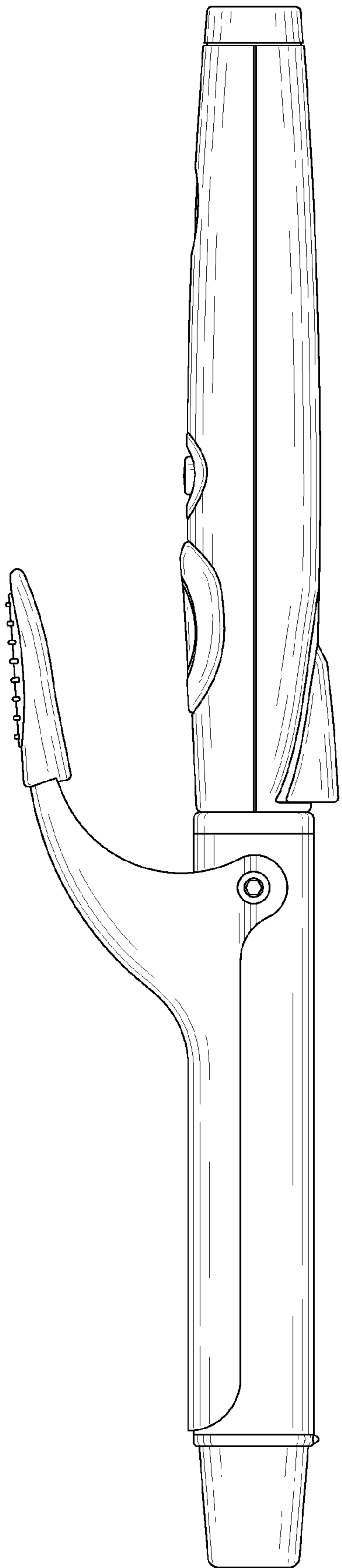


FIG. 4

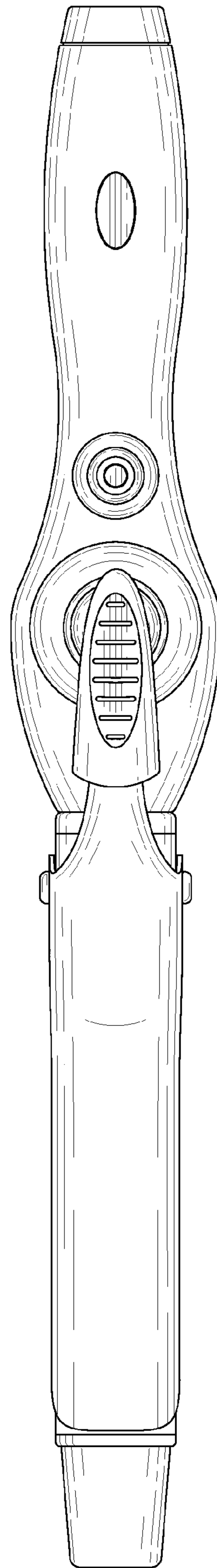
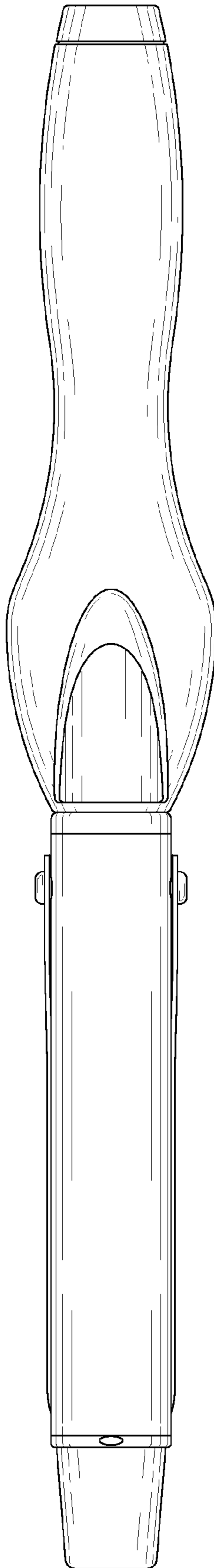


FIG. 5



**FIG. 6**