



US00D618393S

(12) **United States Design Patent**
Beckholt et al.

(10) **Patent No.:** **US D618,393 S**

(45) **Date of Patent:** **** Jun. 22, 2010**

(54) **INDICIA FOR LAUNDRY TREATMENT PRODUCT**

D567,998 S * 4/2008 Wiedemann D28/8.1
D576,353 S * 9/2008 McCarthy D28/8.1

(75) Inventors: **Dennis Allen Beckholt**, Fairfield, OH (US); **Susan Marie Seum**, Benton Harbor, MI (US); **Frank Emile Louis Triest**, Aalst (BE)

* cited by examiner

Primary Examiner—Jennifer Rivard
(74) *Attorney, Agent, or Firm*—Julia A. Glazer; Leonard W. Lewis; Steven W. Miller

(73) Assignee: **The Procter & Gamble Company**, Cincinnati, OH (US)

(57) **CLAIM**

(**) Term: **14 Years**

The ornamental design for indicia for laundry treatment product, as shown and described.

(21) Appl. No.: **29/340,206**

DESCRIPTION

(22) Filed: **Jul. 15, 2009**

FIG. 1 is a perspective view of indicia for laundry treatment product showing our new design.

Related U.S. Application Data

FIG. 2 is a top view of the indicia for laundry treatment product of FIG. 1.

(62) Division of application No. 29/307,981, filed on May 21, 2008, now Pat. No. Des. 599,057.

FIG. 3 is a bottom view of the indicia for laundry treatment product of FIG. 1.

(51) **LOC (9) Cl.** **28-02**

(52) **U.S. Cl.** **D28/8.1**

(58) **Field of Classification Search** 510/147, 510/220, 221, 223, 224, 294, 298, 439, 440–442, 510/447–450; D28/4, 5, 8.1, 8.2; D24/101–103; D9/432

FIG. 4 is a front view of the indicia for laundry treatment product of FIG. 1.

See application file for complete search history.

FIG. 5 is a left side view of the indicia for laundry treatment product of FIG. 1.

(56) **References Cited**

U.S. PATENT DOCUMENTS

- D490,567 S * 5/2004 McLeish D28/8.1
- D494,863 S * 8/2004 Hamuro et al. D9/432
- D532,685 S * 11/2006 Reussner D9/432
- D546,673 S * 7/2007 Mongeon et al. D9/432
- D554,501 S * 11/2007 Bone et al. D9/432
- D558,921 S * 1/2008 Schwartz et al. D28/8.1
- D559,439 S * 1/2008 Schwartz et al. D28/8.1
- D559,440 S * 1/2008 Schwartz et al. D28/8.1
- D562,496 S * 2/2008 Wiedemann D28/8.1
- D565,244 S * 3/2008 Schwartz et al. D28/8.1
- D566,545 S * 4/2008 Bone et al. D9/432
- D566,894 S * 4/2008 Wiedemann D28/8.1
- D567,080 S * 4/2008 Bone et al. D9/432

FIG. 6 is a right side view of the indicia for laundry treatment product of FIG. 1.

FIG. 7 is a back view of the indicia for laundry treatment product of FIG. 1.

FIG. 8 is a perspective view of the second embodiment for indicia for laundry treatment product.

FIG. 9 is a top view of the indicia for laundry treatment product of FIG. 8.

FIG. 10 is a bottom view of the indicia for laundry treatment product of FIG. 8.

FIG. 11 is a front view of the indicia for laundry treatment product of FIG. 8.

FIG. 12 is a left side view of the indicia for laundry treatment product of FIG. 8.

FIG. 13 is a right side view of the indicia for laundry treatment product of FIG. 8.

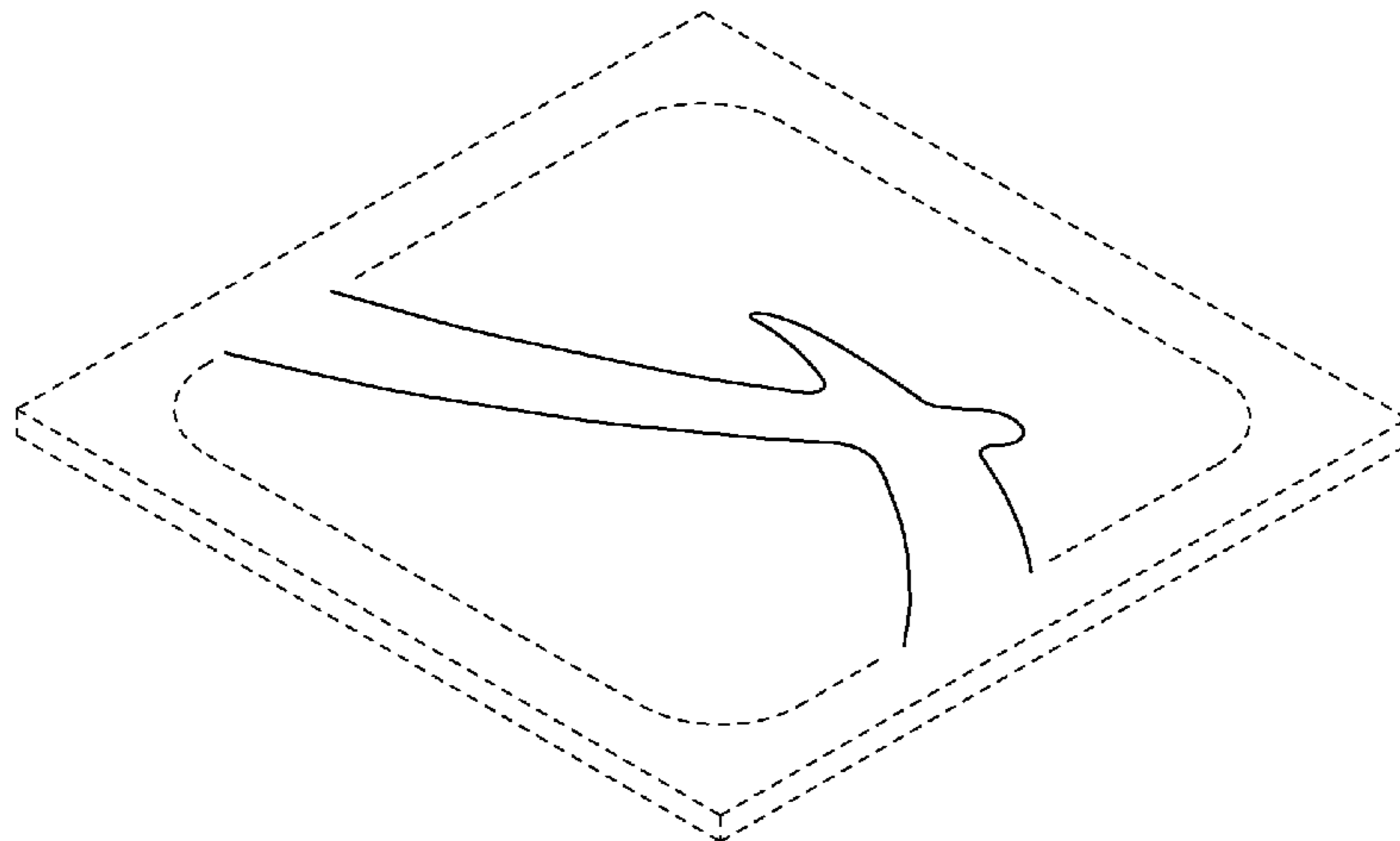


FIG. **14** is a back view of the indicia for laundry treatment product of FIG. **8**.

FIG. **15** is a perspective view of the third embodiment of indicia for laundry treatment product.

FIG. **16** is a top view of the indicia for laundry treatment product of FIG. **15**.

FIG. **17** is a bottom view of the indicia for laundry treatment product of FIG. **15**.

FIG. **18** is a front view of the indicia for laundry treatment product of FIG. **15**.

FIG. **19** is a left side view of the indicia for laundry treatment product of FIG. **15**.

FIG. **20** is a right side view of the indicia for laundry treatment product of FIG. **15**.

FIG. **21** is a back view of the indicia for laundry treatment product of FIG. **15**.

FIG. **22** is a perspective view of the fourth embodiment of indicia for laundry treatment product.

FIG. **23** is a top view of the indicia for laundry treatment product of FIG. **22**.

FIG. **24** is a bottom view of the indicia for laundry treatment product of FIG. **22**.

FIG. **25** is a front view of the indicia for laundry treatment product of FIG. **22**.

FIG. **26** is a left side view of the indicia for laundry treatment product of FIG. **22**.

FIG. **27** is a right side view of the indicia for laundry treatment product of FIG. **22**; and,

FIG. **28** is a back view of the indicia for laundry treatment product of FIG. **22**.

The broken line showing of environmental structure in the figures is for illustrative purposes only and forms no part of the claimed design.

1 Claim, 8 Drawing Sheets

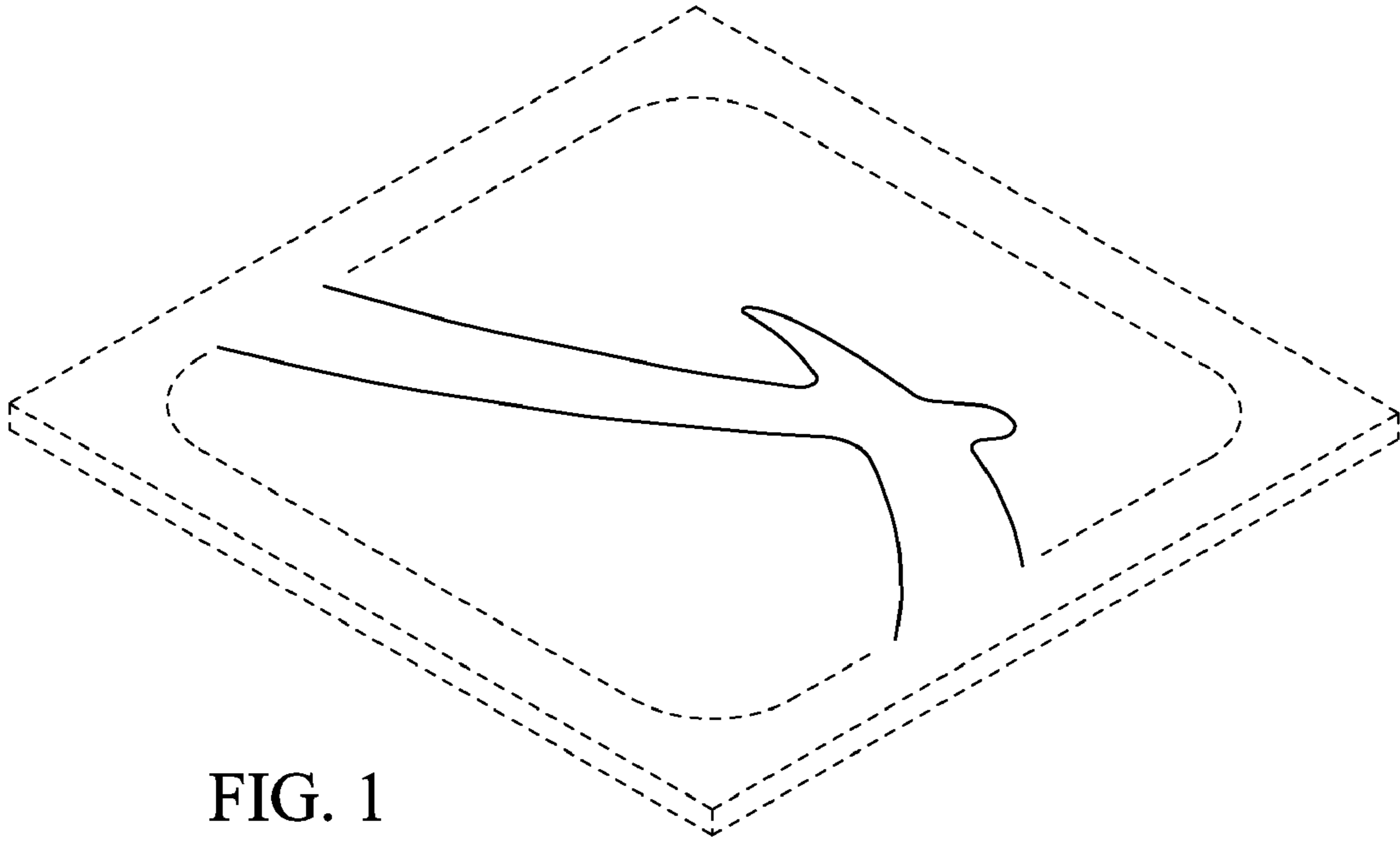


FIG. 1

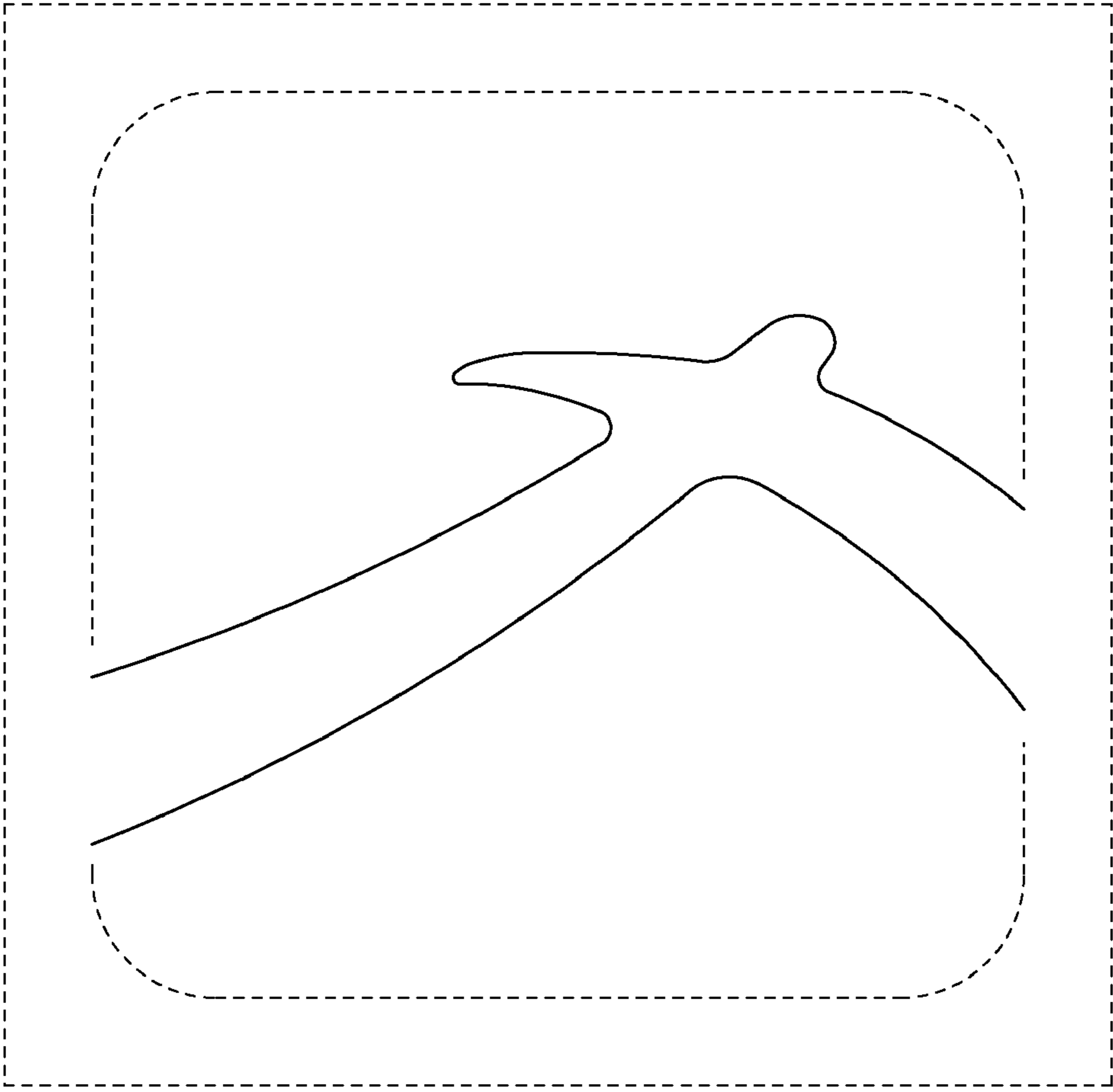


FIG. 2



FIG. 3

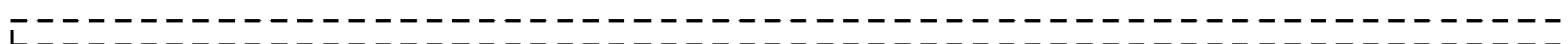


FIG. 4

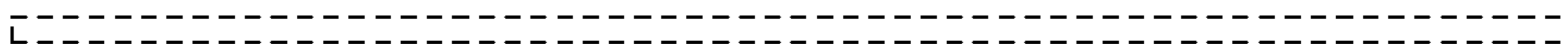


FIG. 5

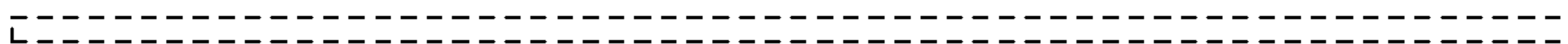


FIG. 6

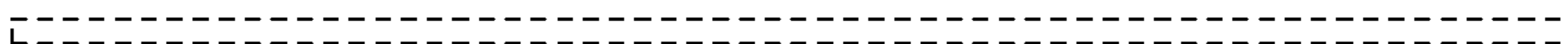


FIG. 7

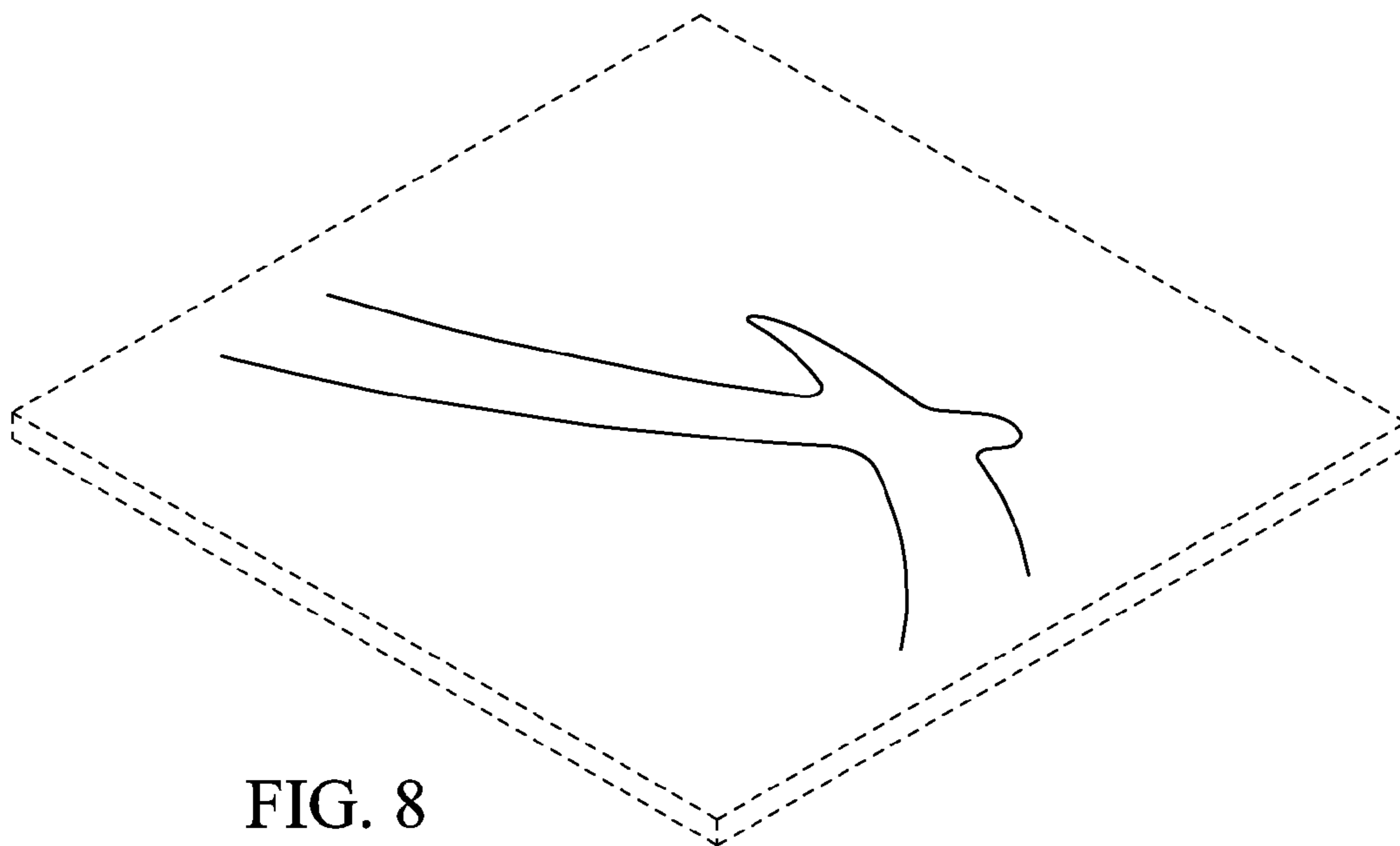


FIG. 8

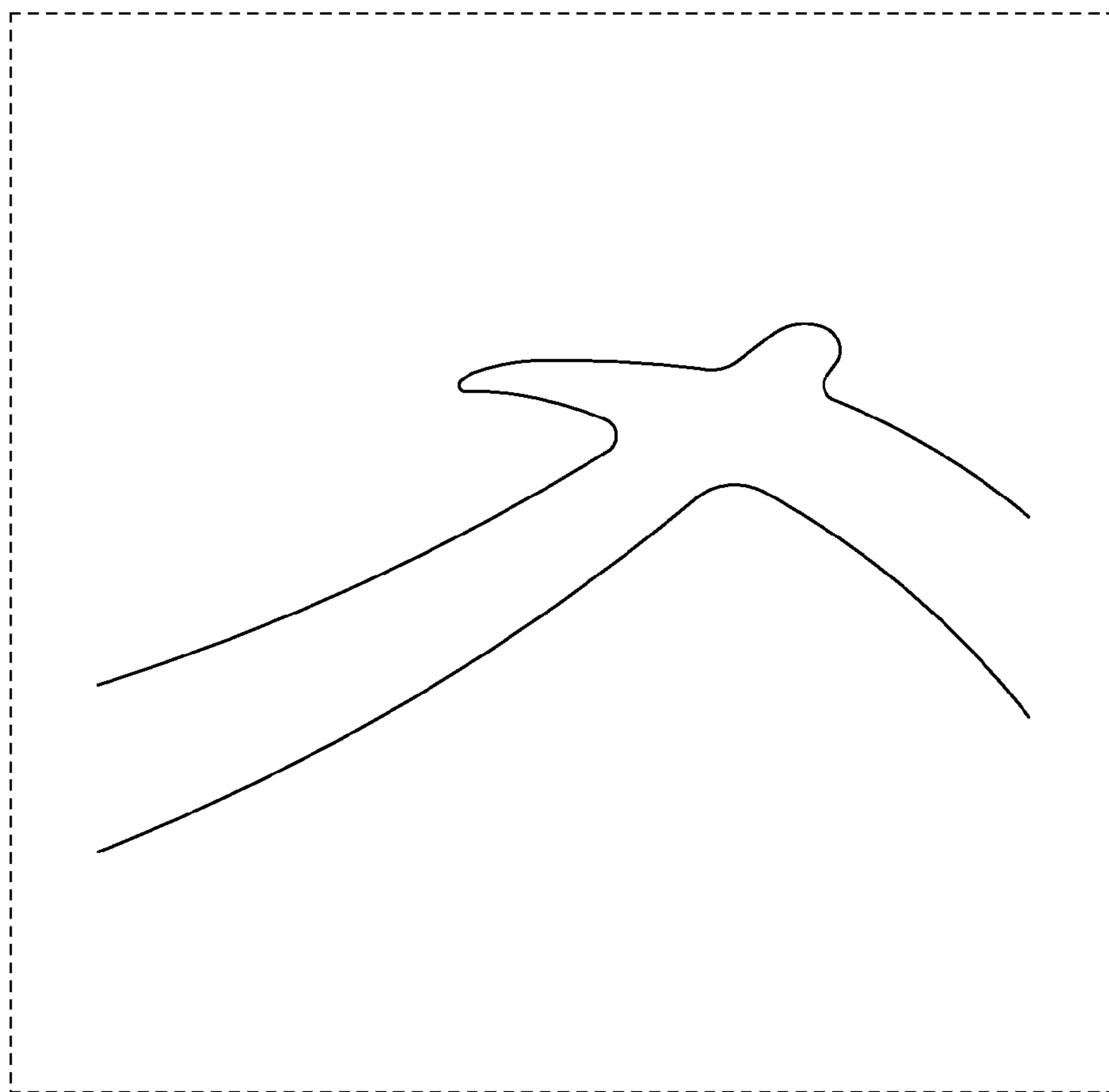


FIG. 9

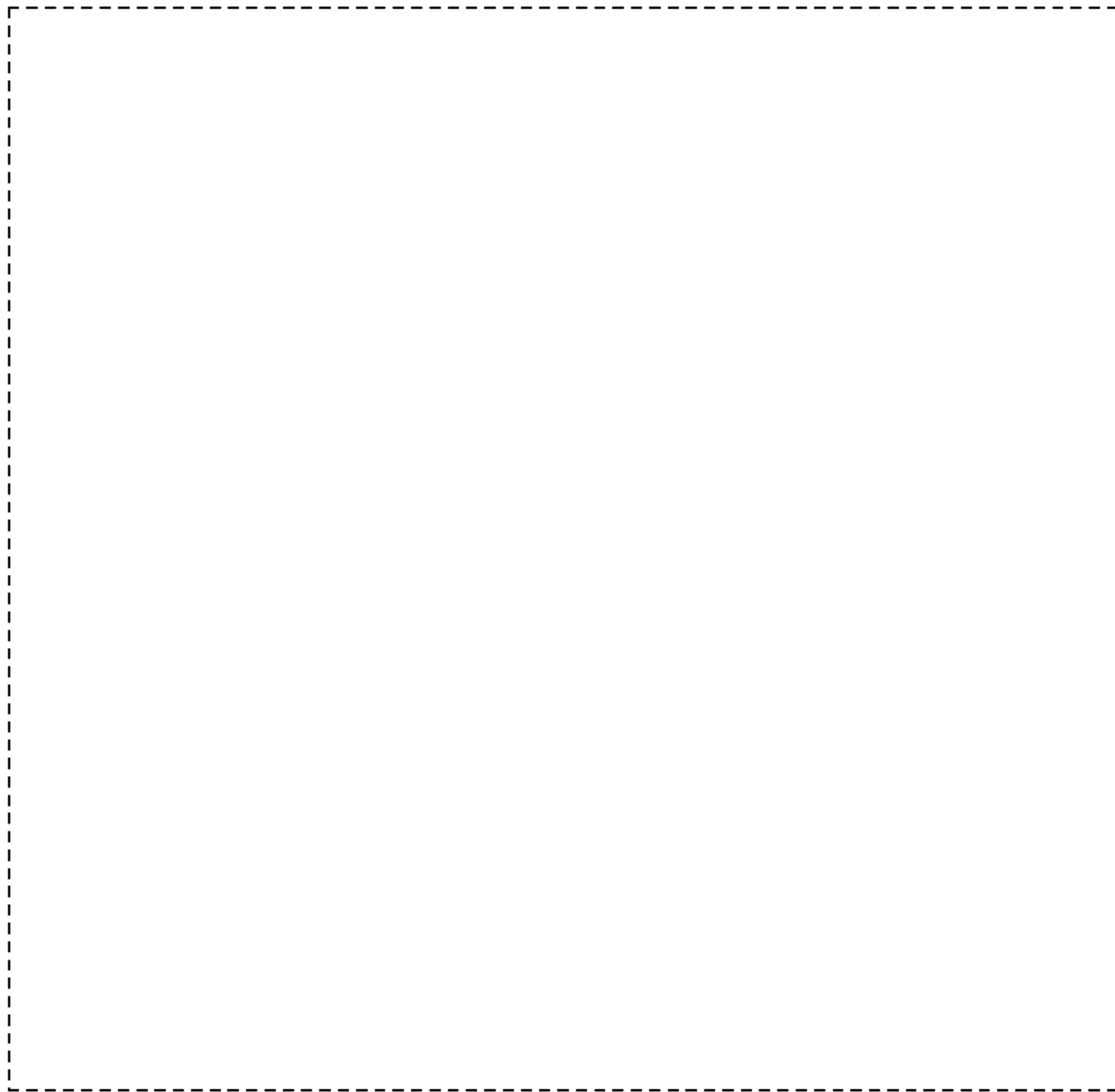


FIG. 10

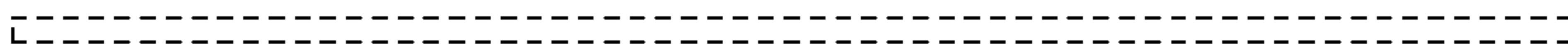


FIG. 11

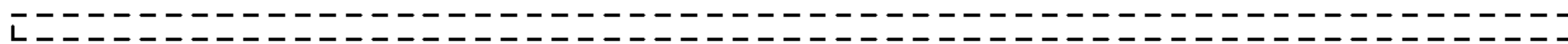


FIG. 12

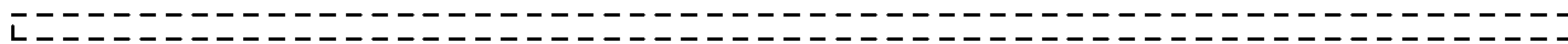


FIG. 13

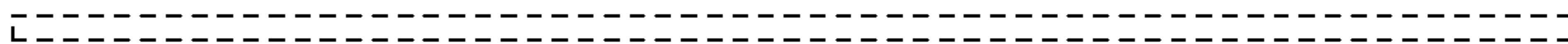


FIG. 14

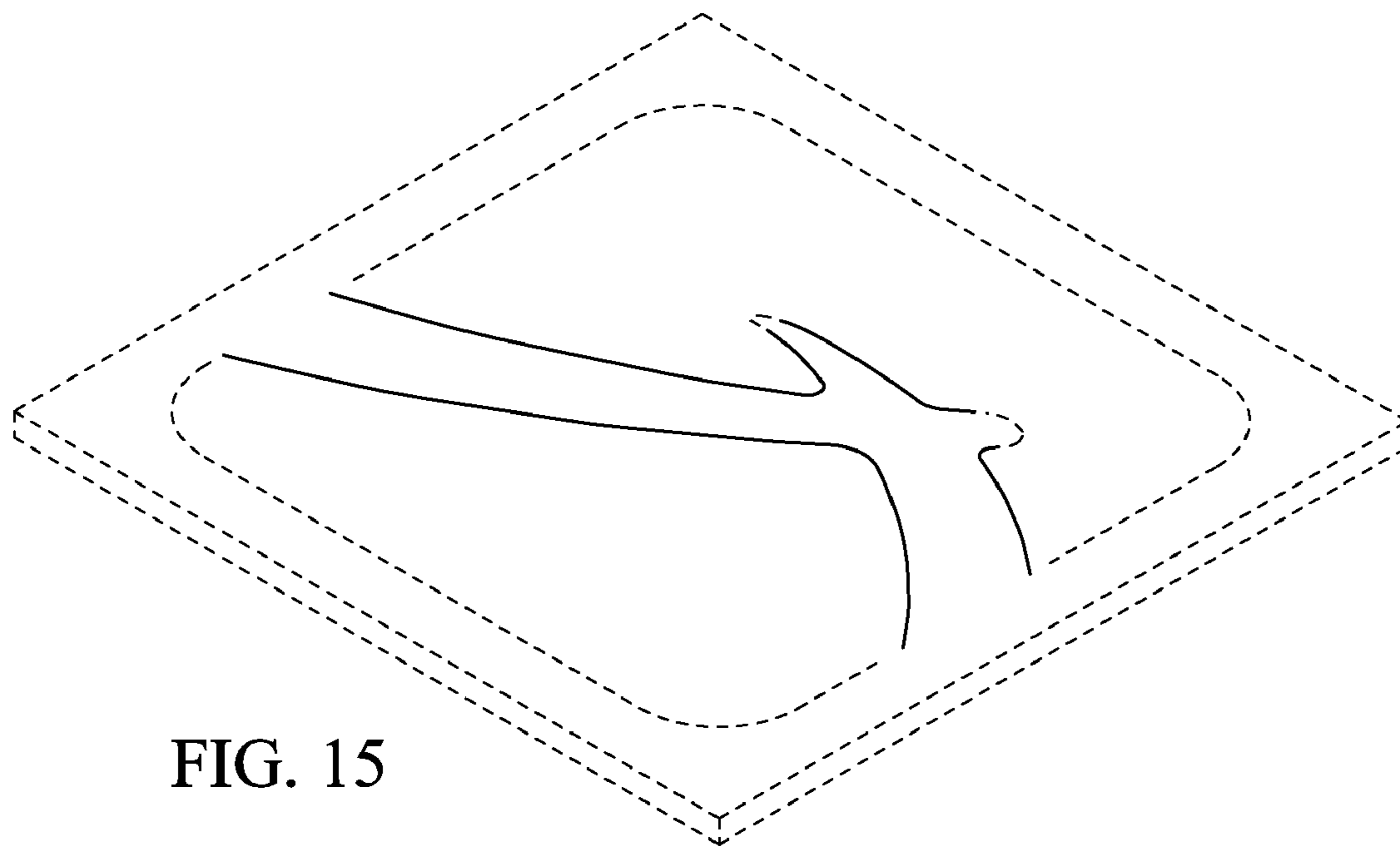


FIG. 15

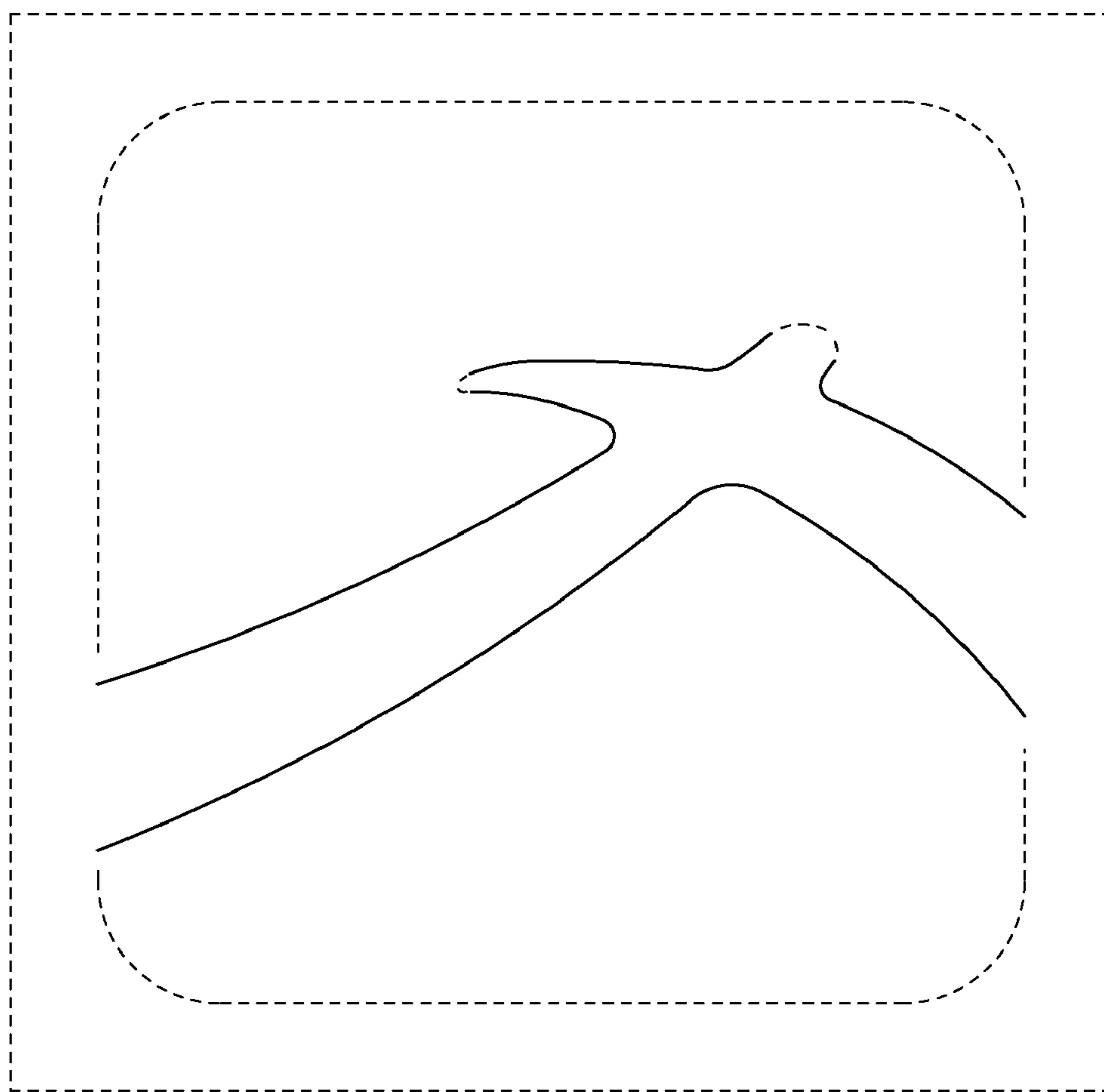


FIG. 16

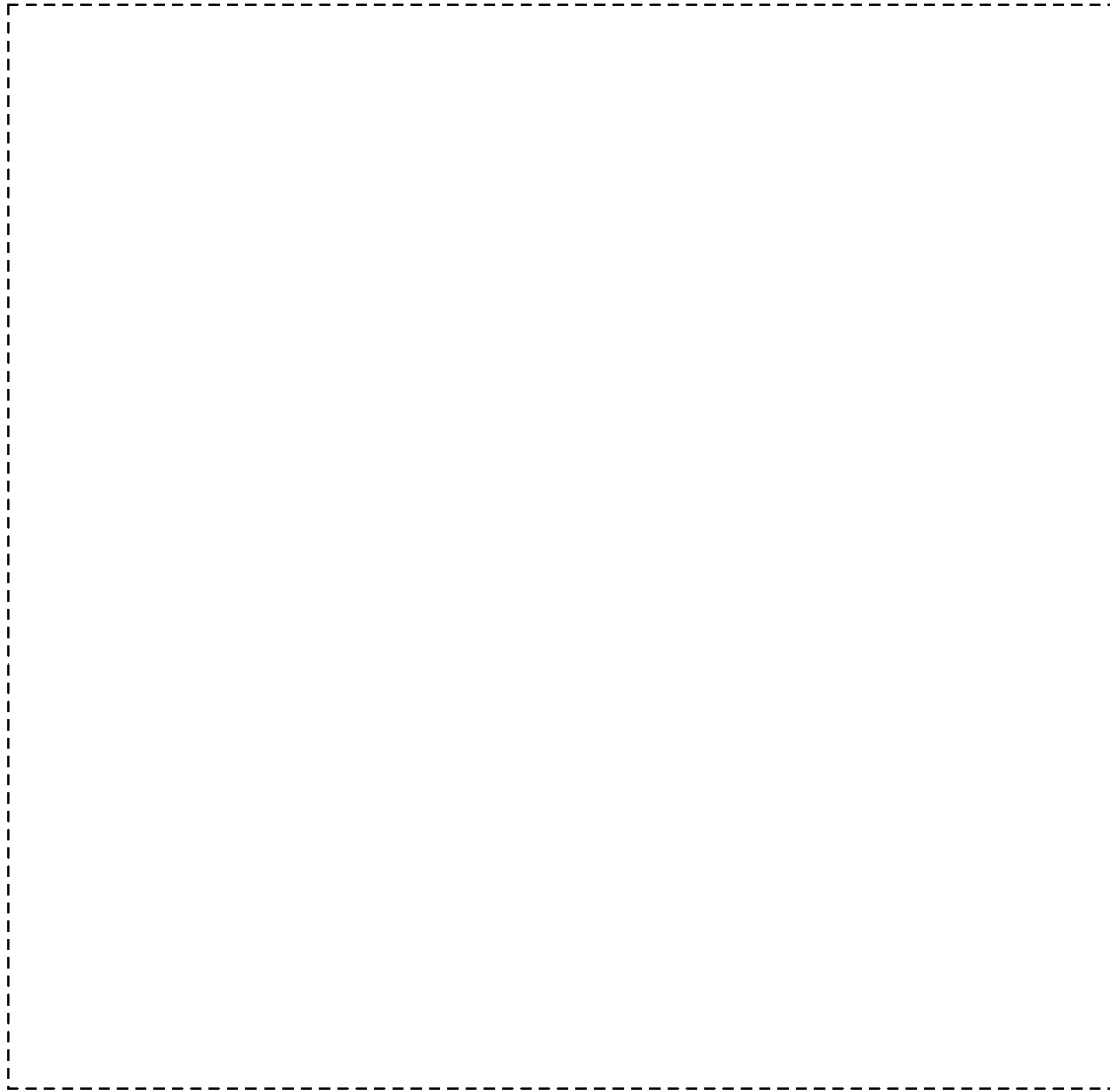


FIG. 17

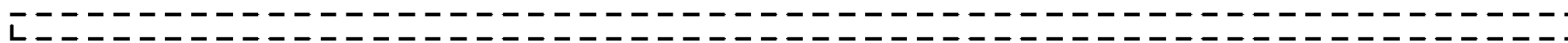


FIG. 18

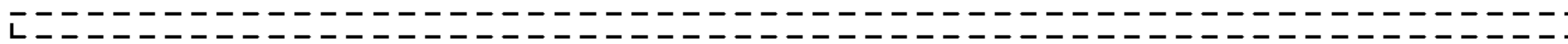


FIG. 19

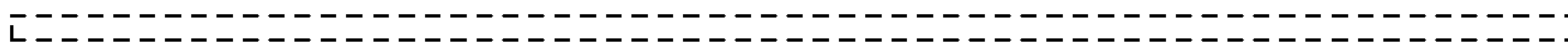


FIG. 20

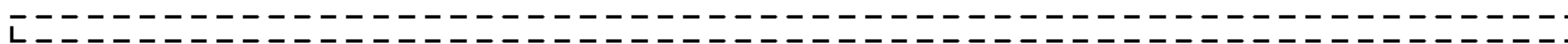


FIG. 21

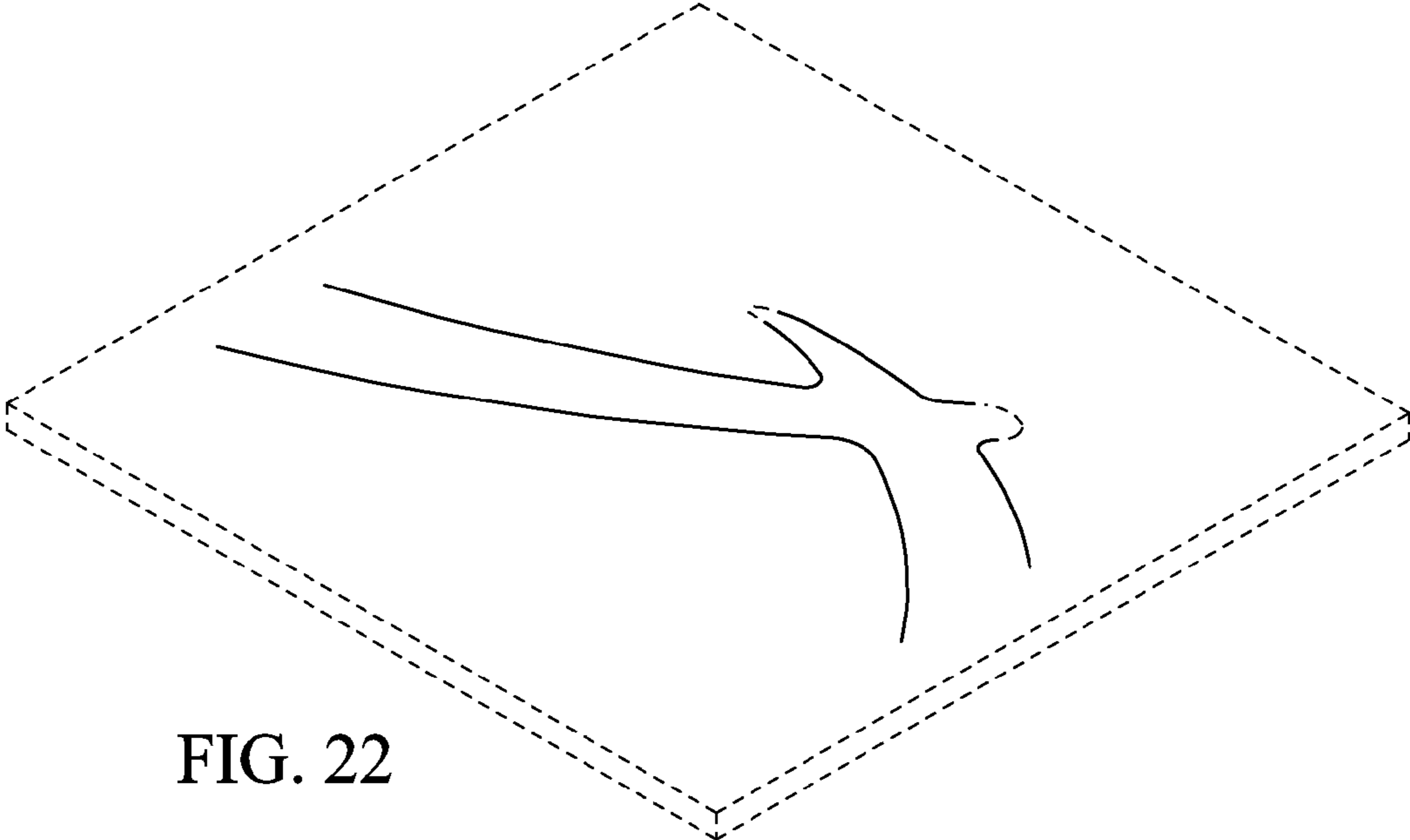


FIG. 22

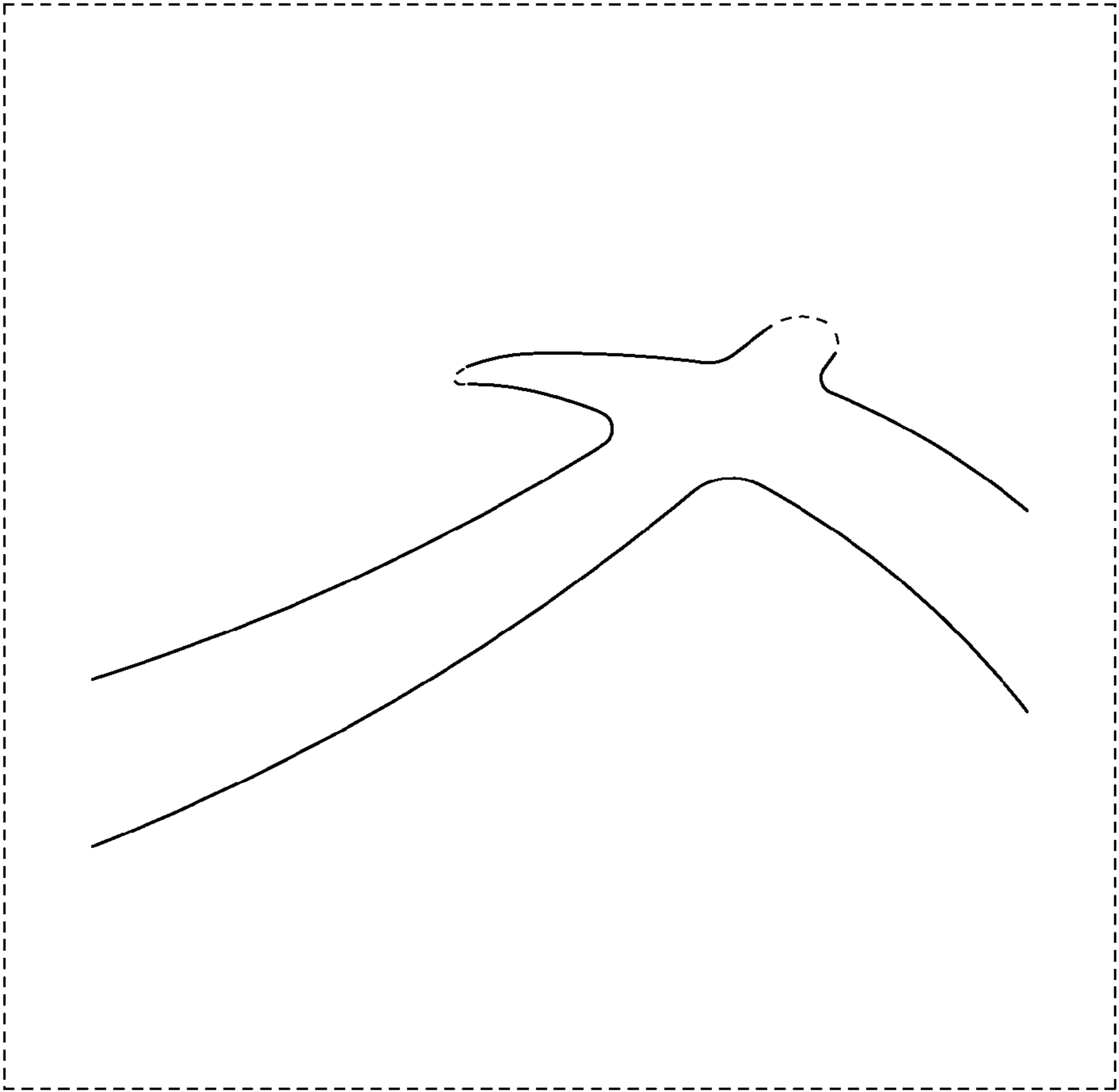


FIG. 23

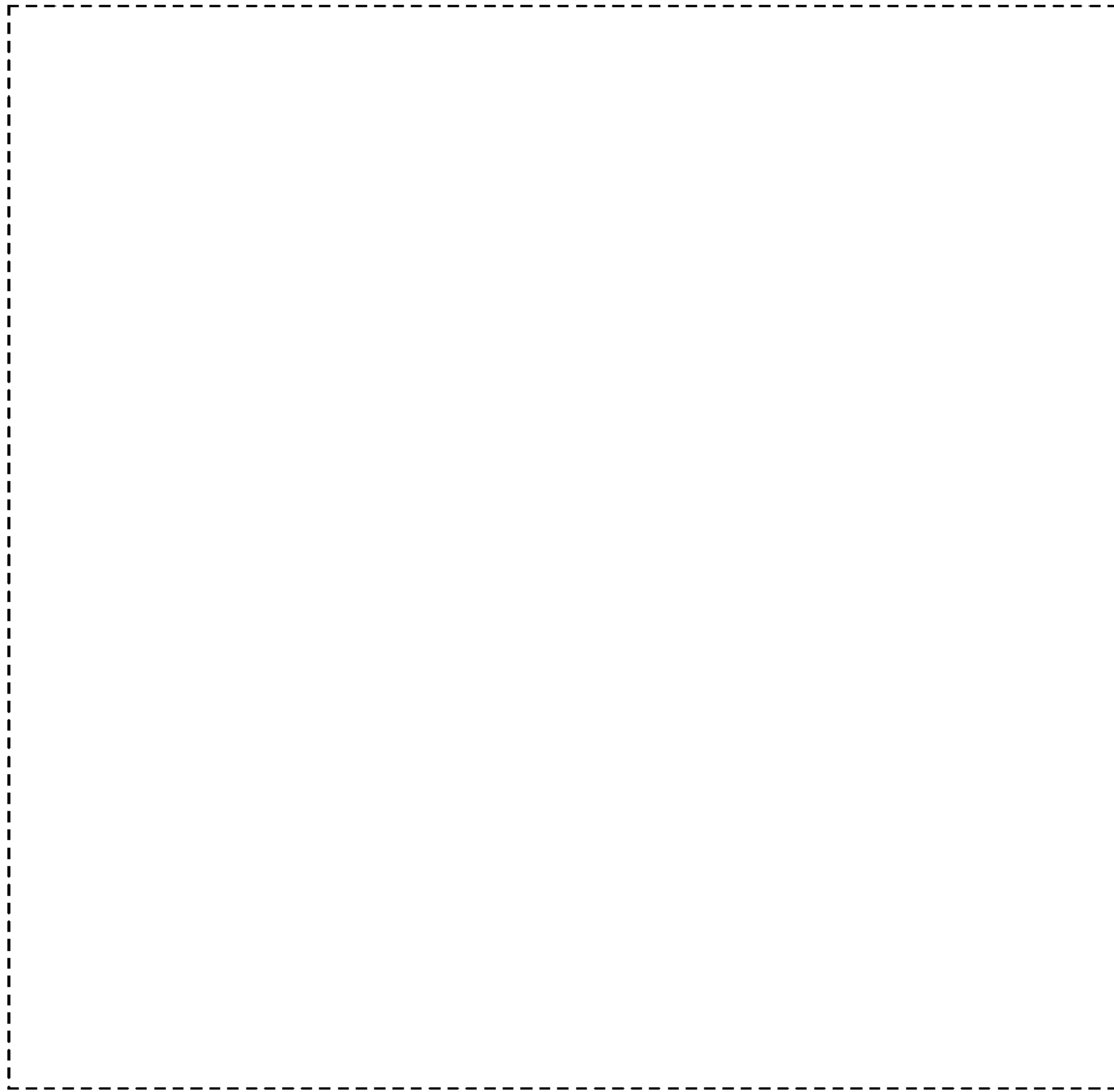


FIG. 24

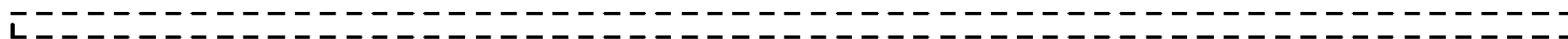


FIG. 25

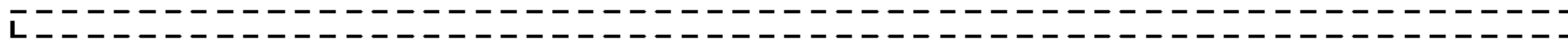


FIG. 26

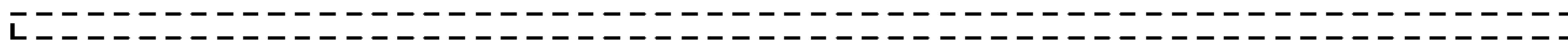


FIG. 27

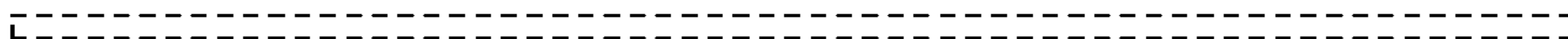


FIG. 28