



US00D618390S

(12) **United States Design Patent**
Moore et al.

(10) **Patent No.:** **US D618,390 S**
(45) **Date of Patent:** **** Jun. 22, 2010**

(54) **PACK SLEEVE WITH POCKET**

(75) Inventors: **Pamela D. Moore**, Gloucester, VA (US);
Stephen J. Bellamah, Midlothian, VA
(US); **Dominic J. C. Howard**, New
Canaan, CT (US)

(73) Assignee: **Philip Morris USA Inc.**, Richmond, VA
(US)

(**) Term: **14 Years**

(21) Appl. No.: **29/311,025**

(22) Filed: **Dec. 10, 2008**

(51) **LOC (9) Cl.** **27-02**

(52) **U.S. Cl.** **D27/172; D27/186**

(58) **Field of Classification Search** D27/172,
D27/183, 186, 187, 189, 190; 131/329; 206/242;
D9/420, 423

See application file for complete search history.

(56) **References Cited**

U.S. PATENT DOCUMENTS

D71,036 S *	9/1926	Turpisch	D27/186
1,906,742 A	5/1933	Coulapides		
2,011,399 A	8/1935	Driscoll		
D123,625 S *	11/1940	Meyer	D27/186
D134,173 S *	10/1942	Kanter	D27/186
2,494,724 A	1/1950	Schmidt		
D168,131 S *	11/1952	Touart, Jr.	D27/186
D169,066 S *	3/1953	Halpern	D27/186
3,039,671 A	6/1962	Chiamardas		
3,241,738 A	3/1966	Freiman		
3,563,449 A	2/1971	Forbes, Jr. et al.		

3,901,386 A	8/1975	Hennessey
4,003,467 A	1/1977	Focket et al.
D261,110 S	10/1981	Yoshimoto
D266,224 S	9/1982	Bronander, Jr.

(Continued)

Primary Examiner—Dominic Simone

(74) *Attorney, Agent, or Firm*—Buchanan Ingersoll &
Rooney PC

(57) **CLAIM**

The ornamental design for a pack sleeve with pocket, sub-
stantially as shown and described.

DESCRIPTION

FIG. 1 is a front, right side and top perspective view showing
a pack sleeve with pocket according to our new design, the
other side being a mirror image thereof.

FIG. 2 is a front, right side and bottom perspective view
thereof, the other side being a mirror image thereof.

FIG. 3 is a front elevational view thereof.

FIG. 4 is a left side elevational view thereof.

FIG. 5 is a right side elevational view thereof.

FIG. 6 is a top plan view thereof.

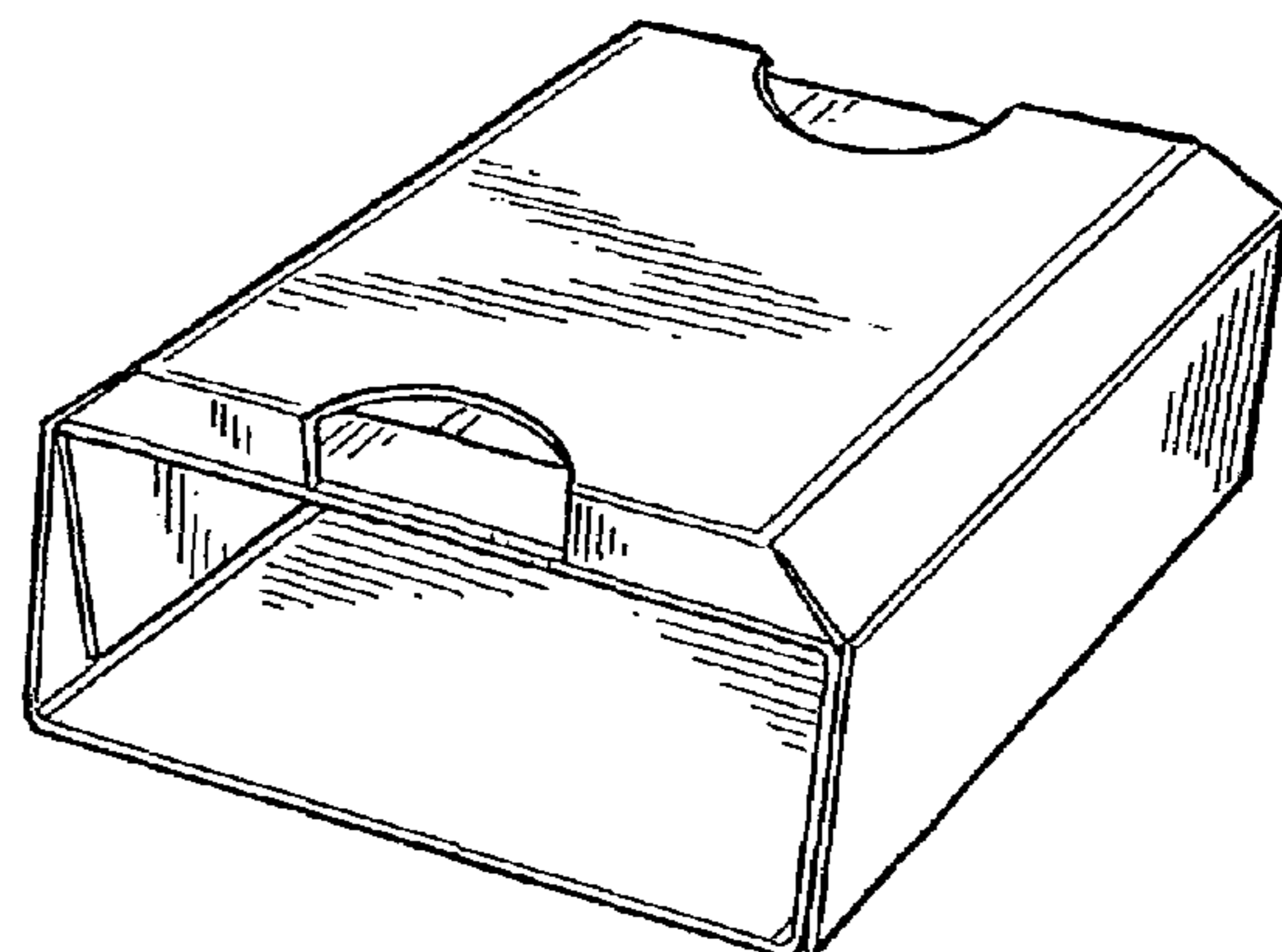
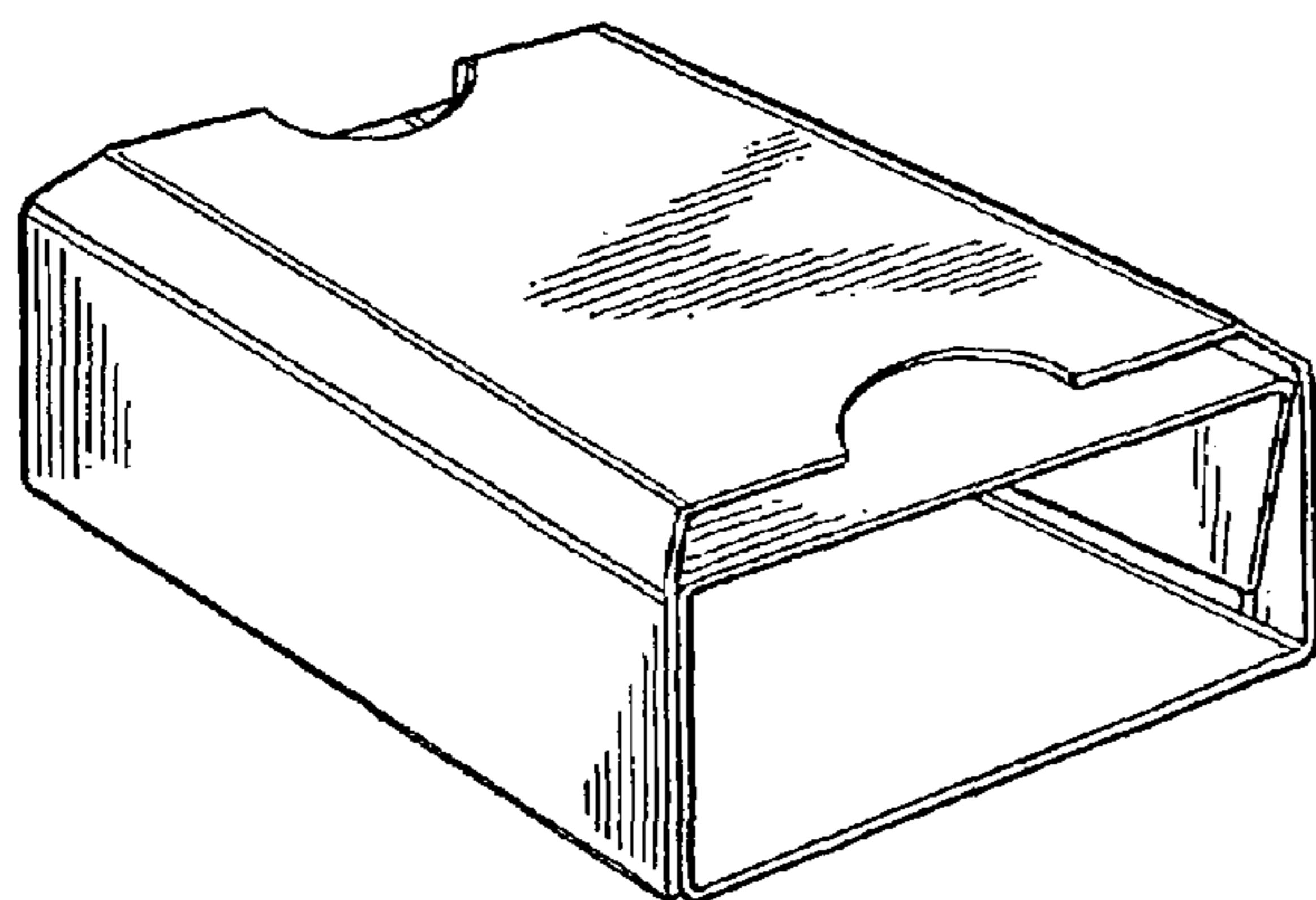
FIG. 7 is a bottom plan view thereof.

FIG. 8 is a back elevational view thereof; and,

FIG. 9 is a front, right side and top perspective view thereof,
the other side being a mirror image thereof.

The broken lines are shown for illustrative purposes only and
form no part of the claimed design.

1 Claim, 3 Drawing Sheets



US D618,390 S

Page 2

U.S. PATENT DOCUMENTS

D273,426 S	4/1984	Zucker		6,467,614 B1	10/2002	Tallier et al.	
D277,034 S *	1/1985	Ramsdell	D27/187	D465,416 S	11/2002	Dzwill et al.	
D296,718 S *	7/1988	Takanashi	D27/183	D470,411 S	2/2003	Menceles	
D309,570 S	7/1990	Kinoshita		D496,135 S	9/2004	Hillock	
D319,587 S	9/1991	Lee		6,837,369 B2	1/2005	Amos	
D344,018 S	2/1994	Kelsey et al.		6,932,219 B2	8/2005	Chacko et al.	
5,366,077 A	11/1994	Pham		D537,561 S	2/2007	Counts et al.	
D353,091 S	12/1994	Mumford		7,331,451 B2	2/2008	Focke et al.	
D370,301 S	5/1996	Murphy		D575,452 S	8/2008	Jones et al.	
D395,235 S	6/1998	Andersson		D580,751 S	11/2008	Blick	
D401,853 S	12/1998	Stavridis		D596,349 S *	7/2009	Tabrah	D27/189
D423,931 S	5/2000	Davis		D596,788 S *	7/2009	Fuente	D27/189
				2008/0093233 A1	4/2008	Jones et al.	

* cited by examiner

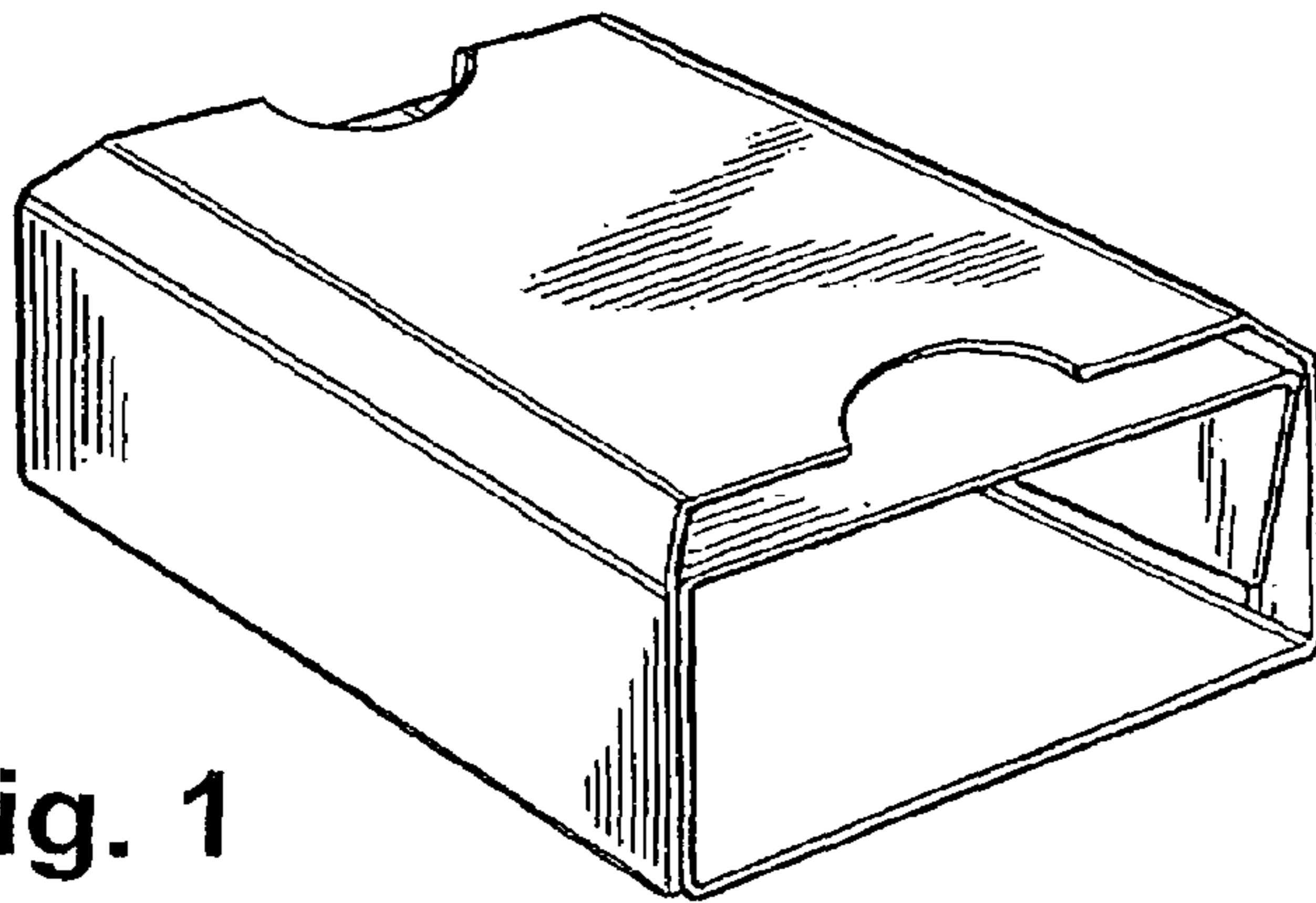


Fig. 1

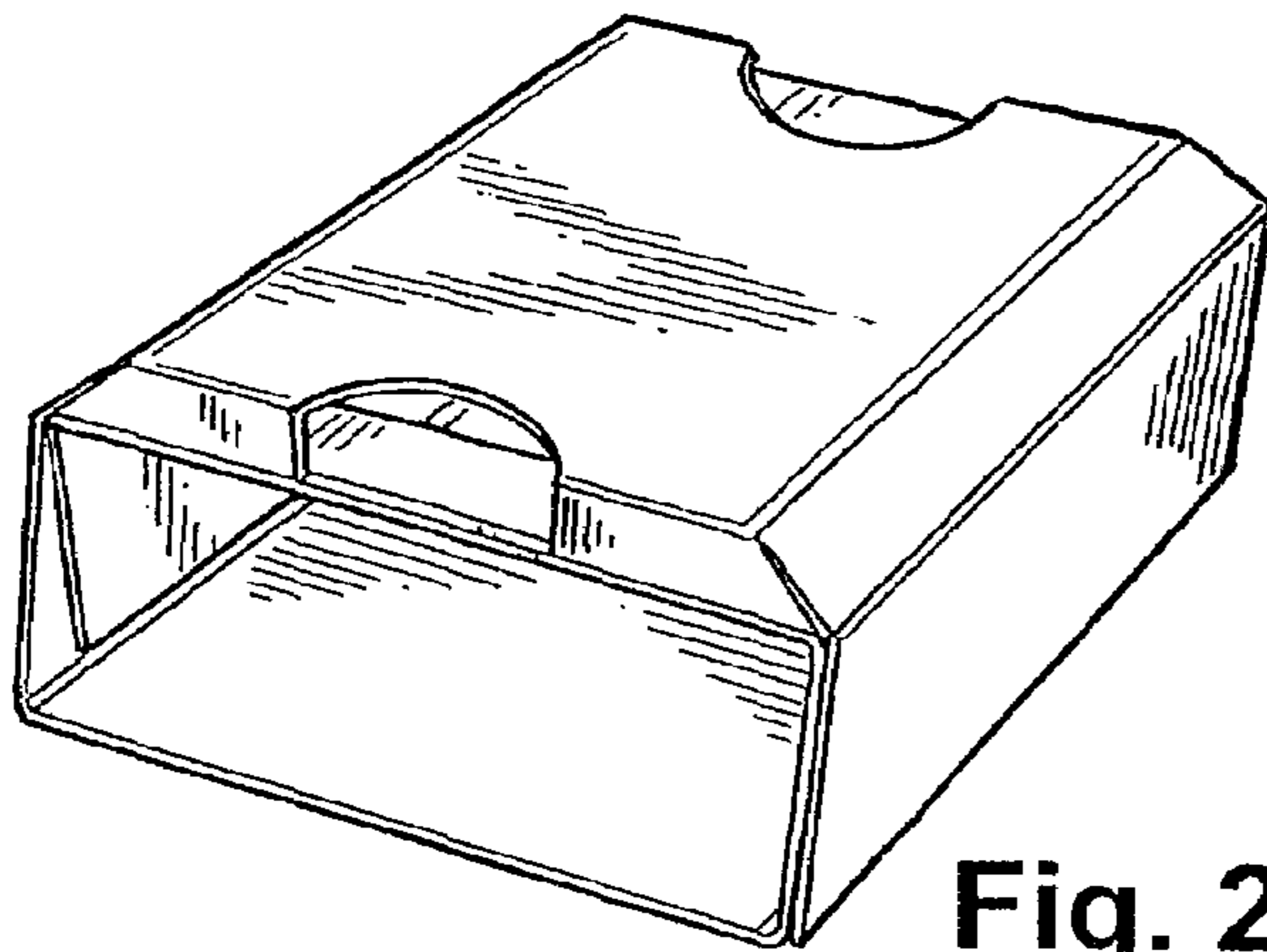


Fig. 2

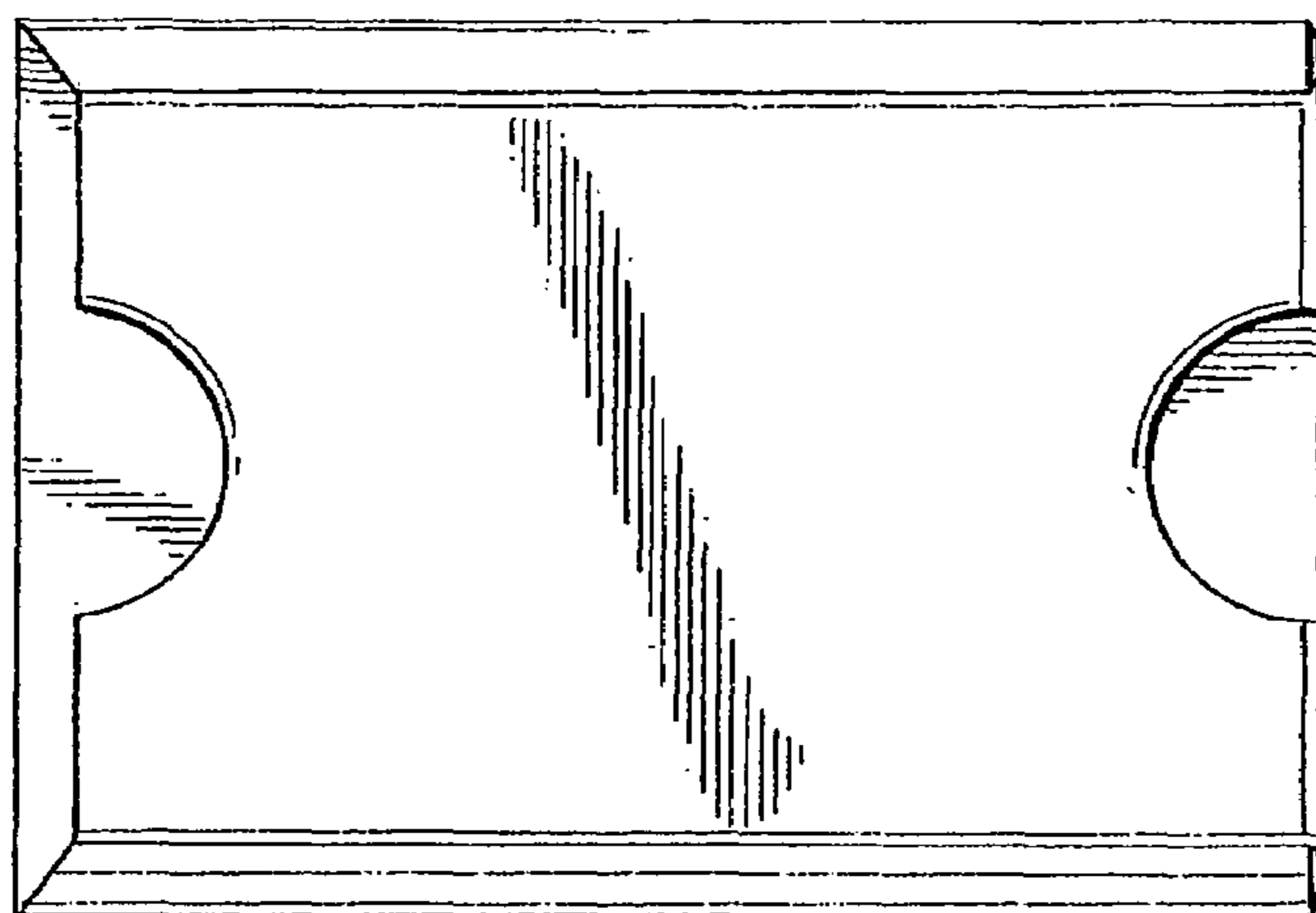


Fig. 3

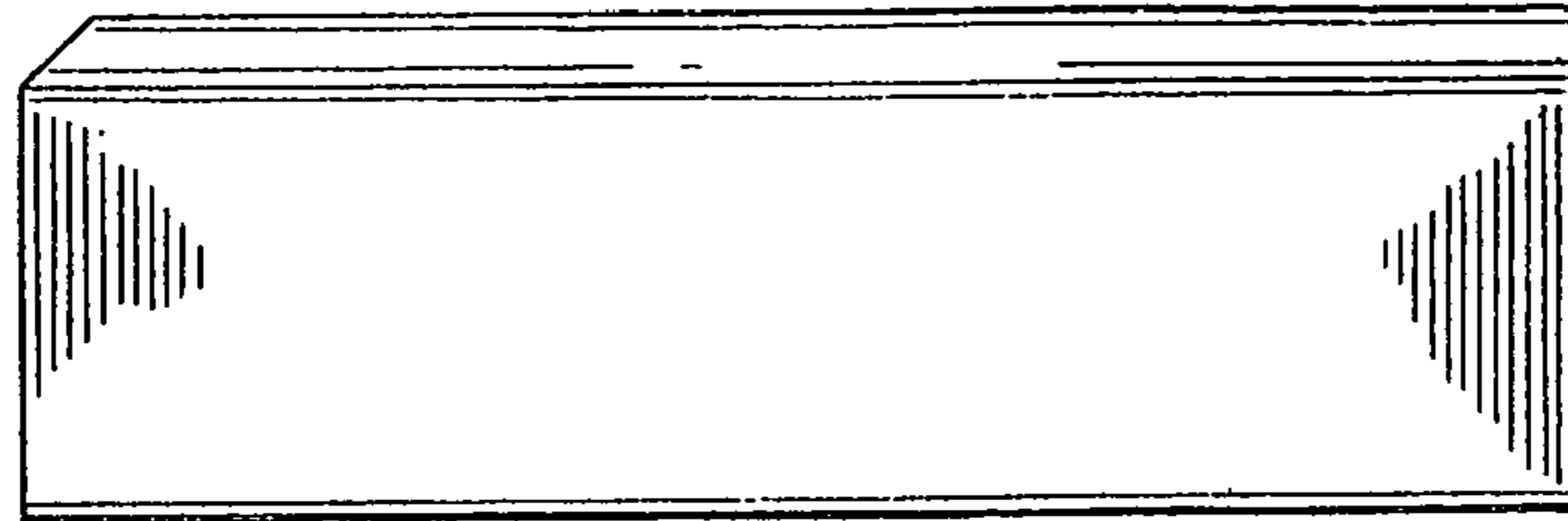


Fig. 4

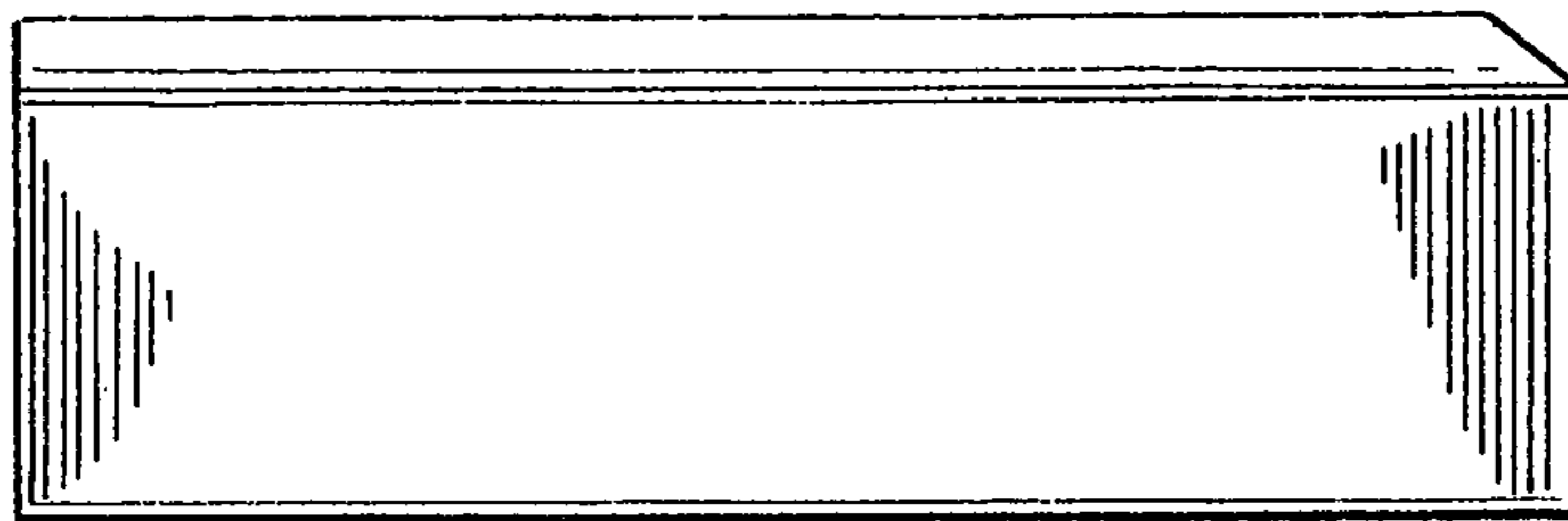


Fig. 5

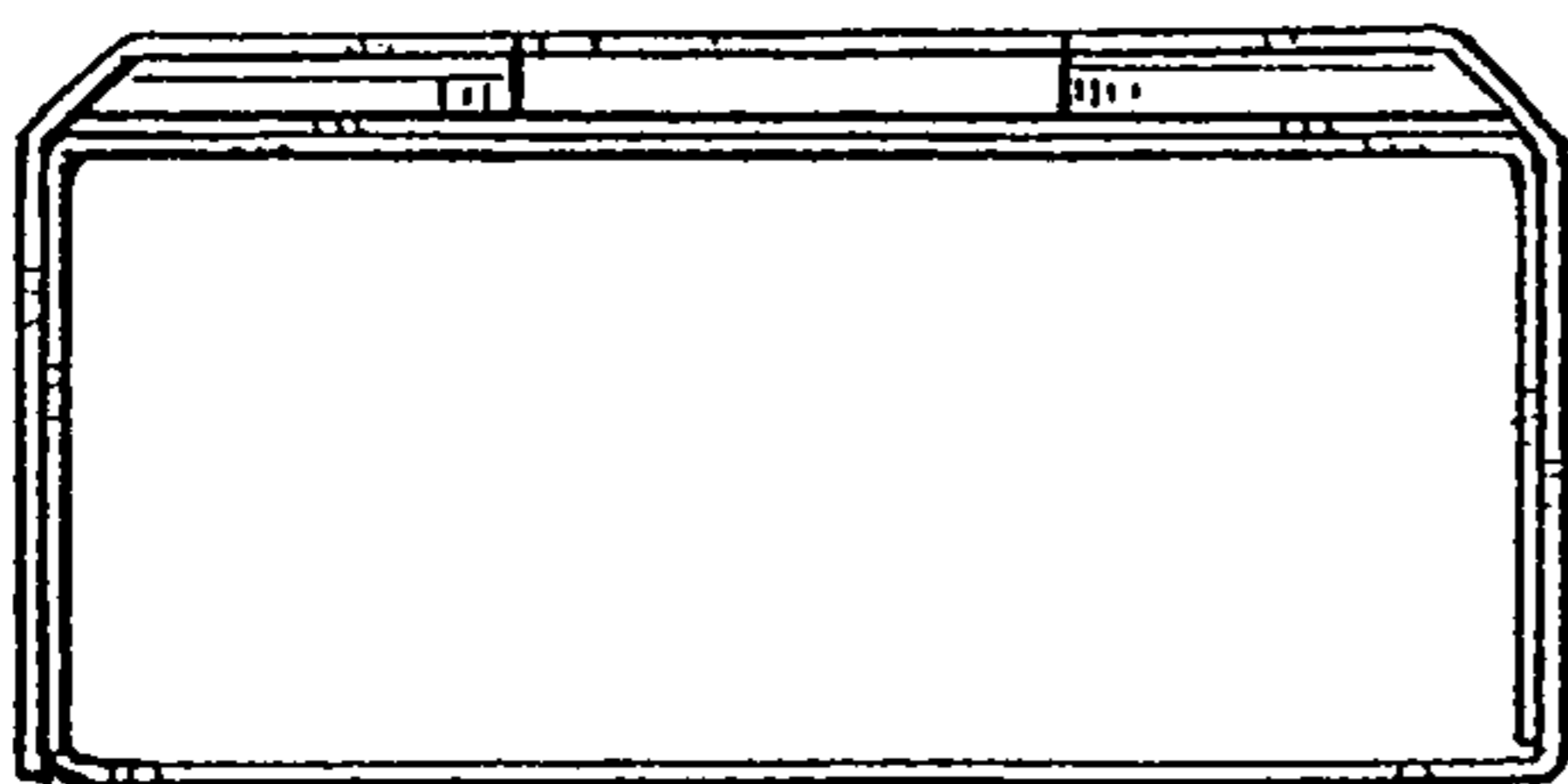


Fig. 6

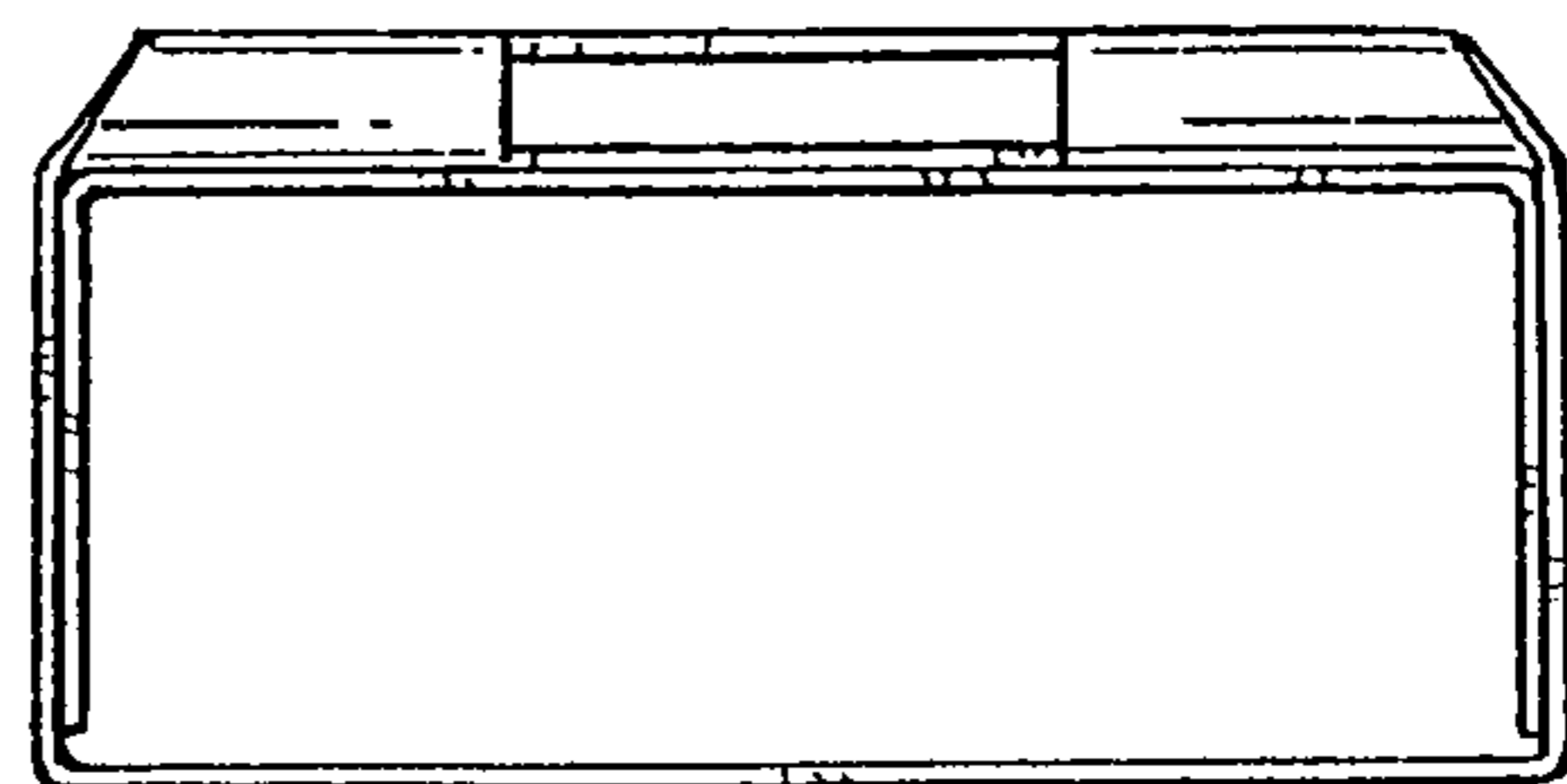


Fig. 7

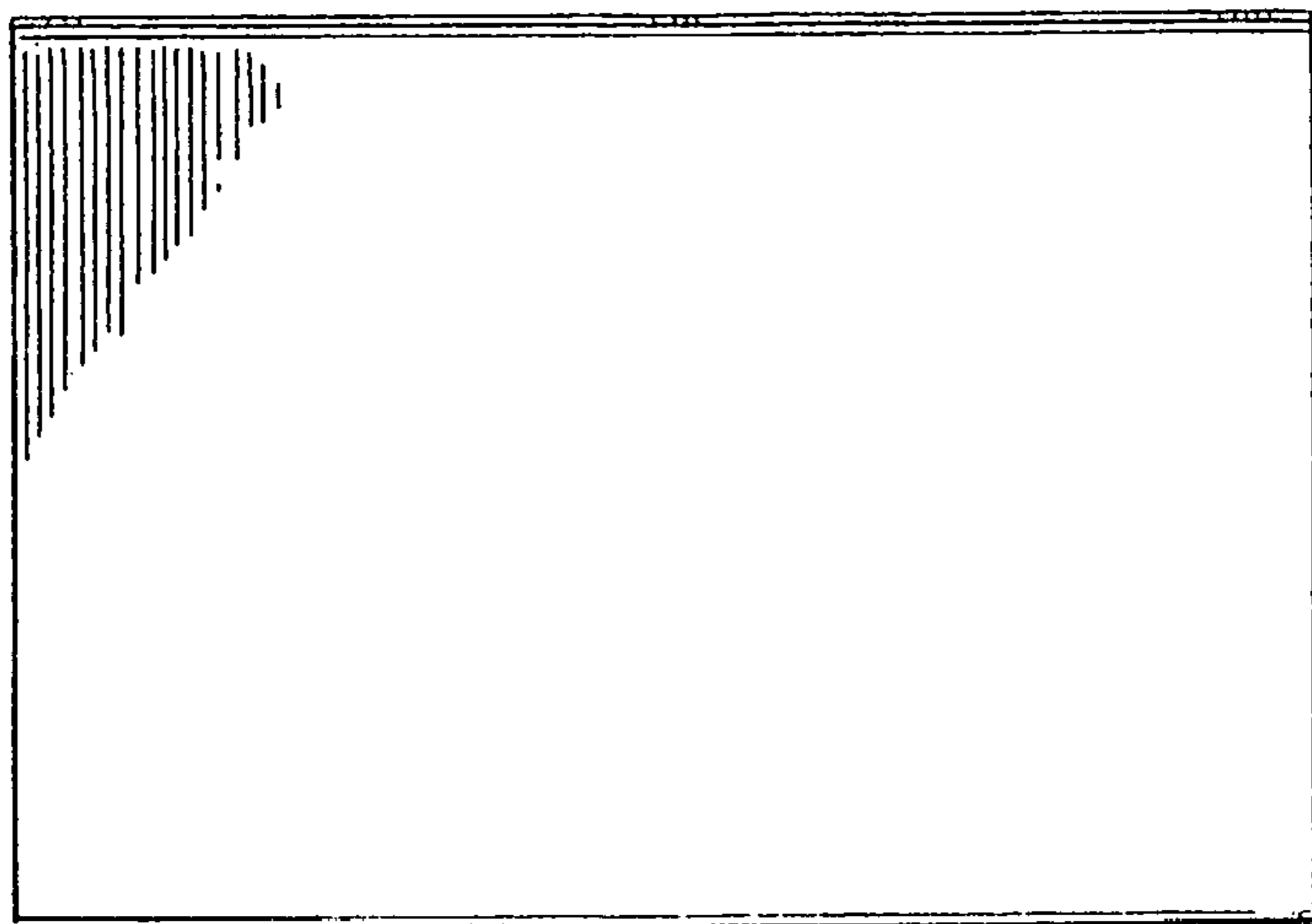


Fig. 8

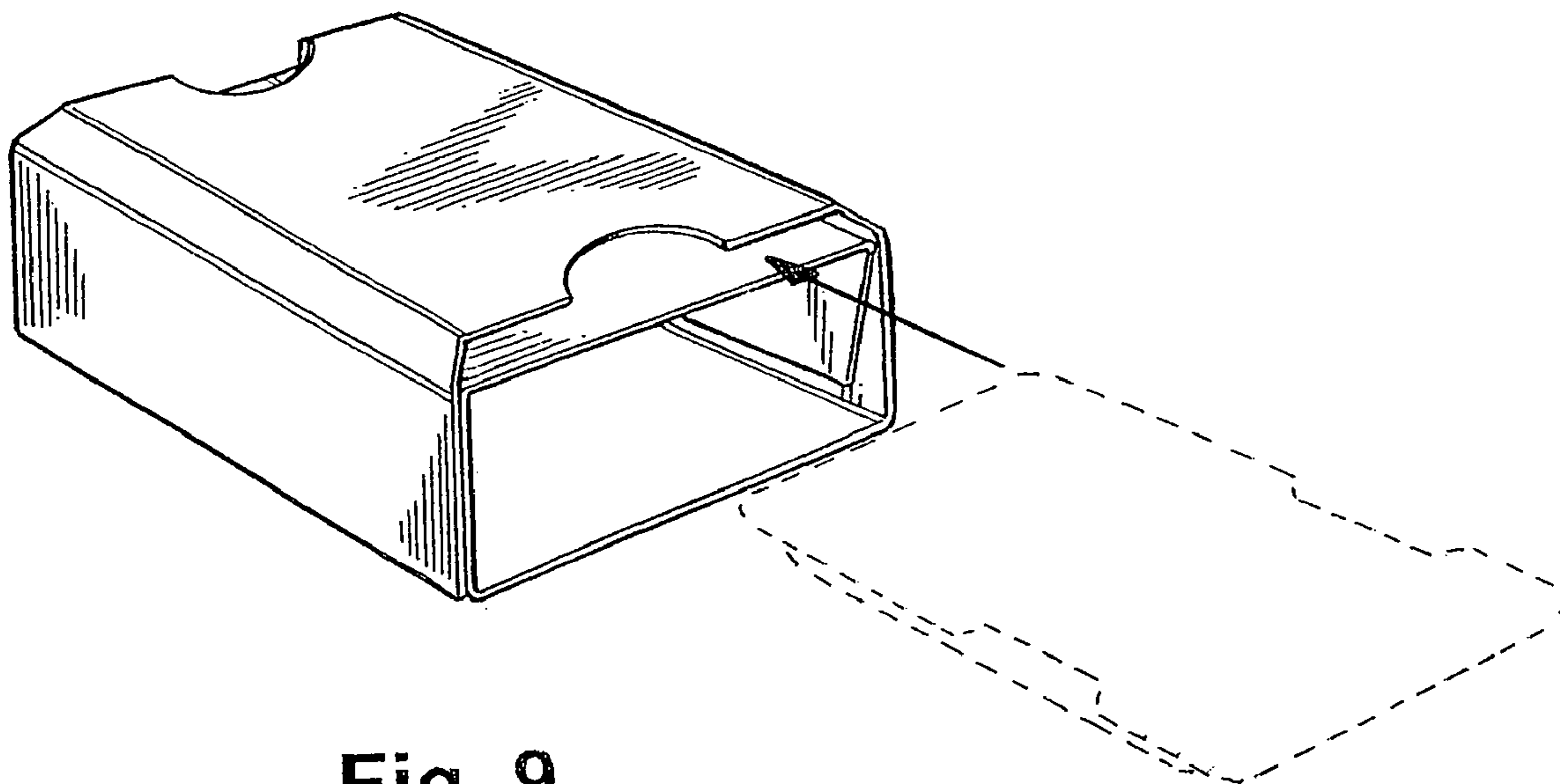


Fig. 9