



US00D618388S

(12) **United States Design Patent**
Beckstead

(10) **Patent No.:** **US D618,388 S**
(45) **Date of Patent:** **** Jun. 22, 2010**

(54) **BUTT REFUSE RECEPTACLE**
(76) Inventor: **Kenneth M. Beckstead**, 1003
Capistrano Dr., Oceanside, CA (US)
92054

4,061,149 A * 12/1977 Raczkowski 131/231
D431,674 S * 10/2000 Brady D27/105
6,135,305 A * 10/2000 Brady 220/481
D513,089 S * 12/2005 Kane et al. D27/125
2007/0221234 A1* 9/2007 Beckstead 131/231

(**) Term: **14 Years**

* cited by examiner

(21) Appl. No.: **29/348,382**

Primary Examiner—Jennifer Rivard
(74) *Attorney, Agent, or Firm*—Don E. Erickson

(22) Filed: **Dec. 29, 2009**

(57) **CLAIM**

Related U.S. Application Data

I claim the ornamental design for a butt refuse receptacle, as shown and described.

(63) Continuation-in-part of application No. 29/291,491, filed on Sep. 4, 2007, now abandoned, and a continuation of application No. 11/389,295, filed on Mar. 27, 2006.

DESCRIPTION

(51) **LOC (9) Cl.** **27-01**
(52) **U.S. Cl.** **D27/123**
(58) **Field of Classification Search** D27/102,
D27/104–105, 106, 122–124, 135; 131/231,
131/235.1, 240.1, 241, 242, 242.5, 242.6;
220/576; 232/43.1; D34/6, 11
See application file for complete search history.

FIG. 1 is a front elevation view of a butt refuse receptacle showing my invention and design.

FIG. 2 is a rear elevation view of a butt refuse receptacle showing my invention and design.

FIG. 3 is a top plan view of a butt refuse receptacle showing my invention and design.

FIG. 4 is a side elevation view of a butt refuse receptacle showing my invention and design; and,

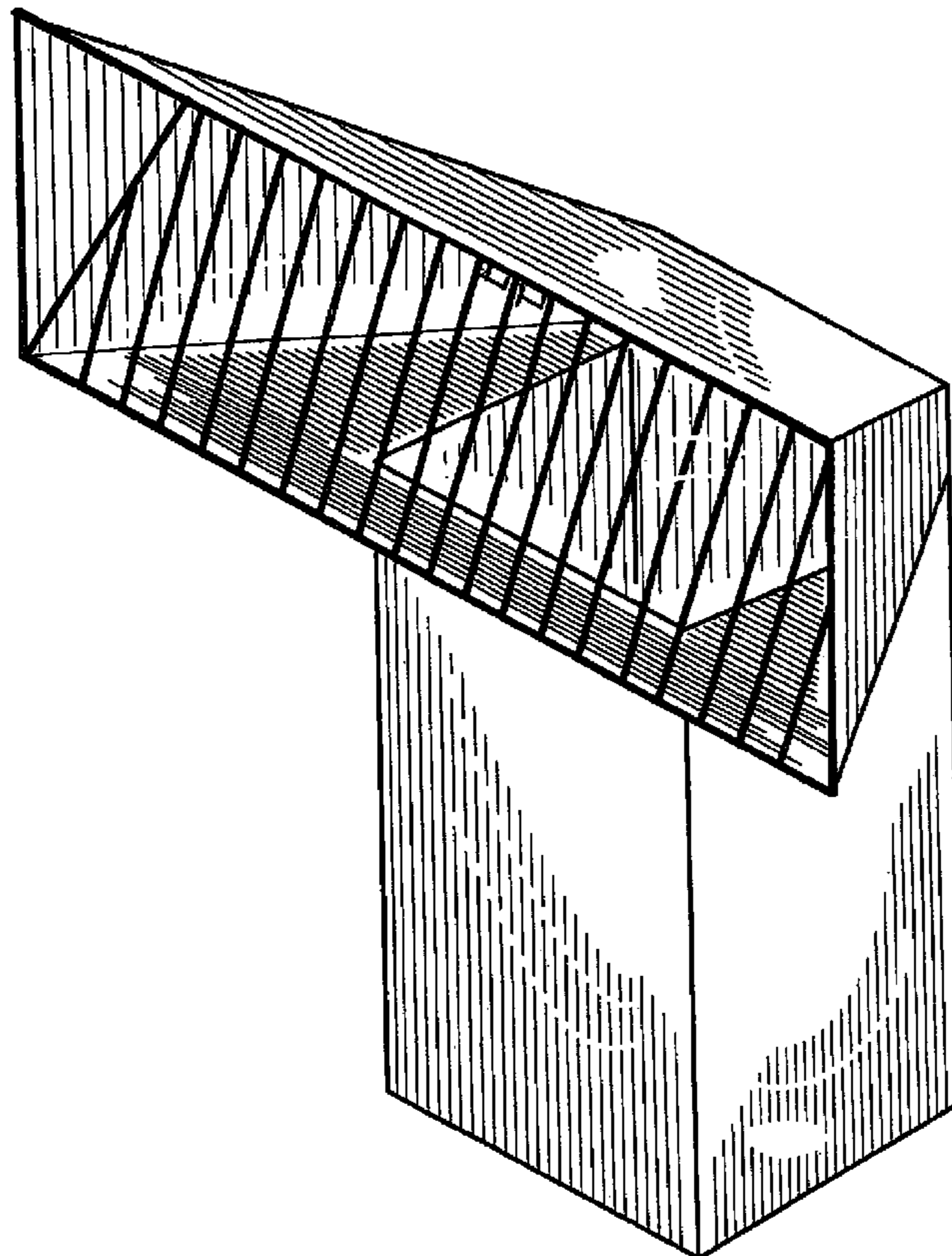
FIG. 5 is a perspective view of the butt refuse receptacle showing my invention and design.

(56) **References Cited**

U.S. PATENT DOCUMENTS

3,853,263 A * 12/1974 Otsuka D27/123

1 Claim, 5 Drawing Sheets



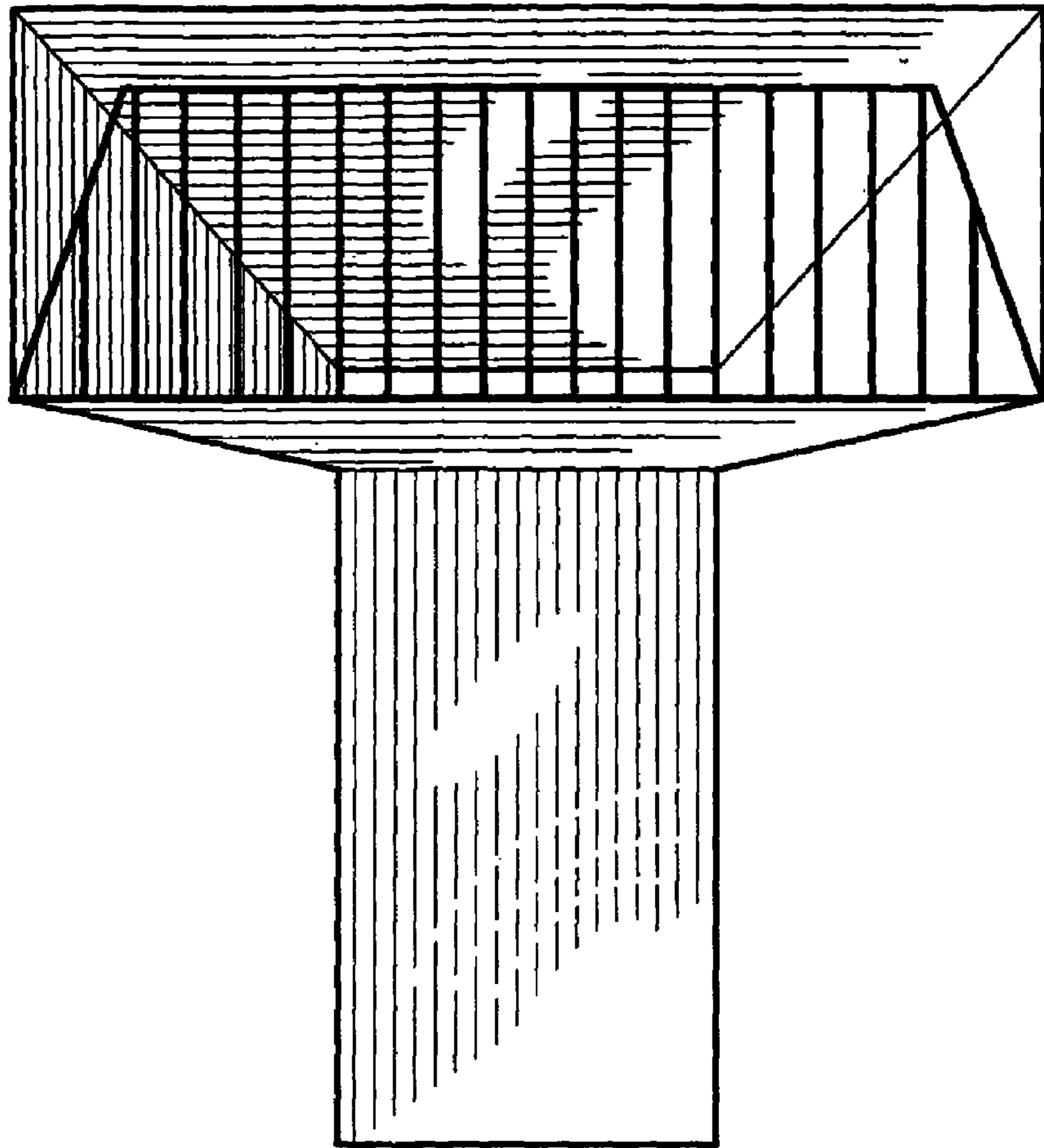


Fig. 1

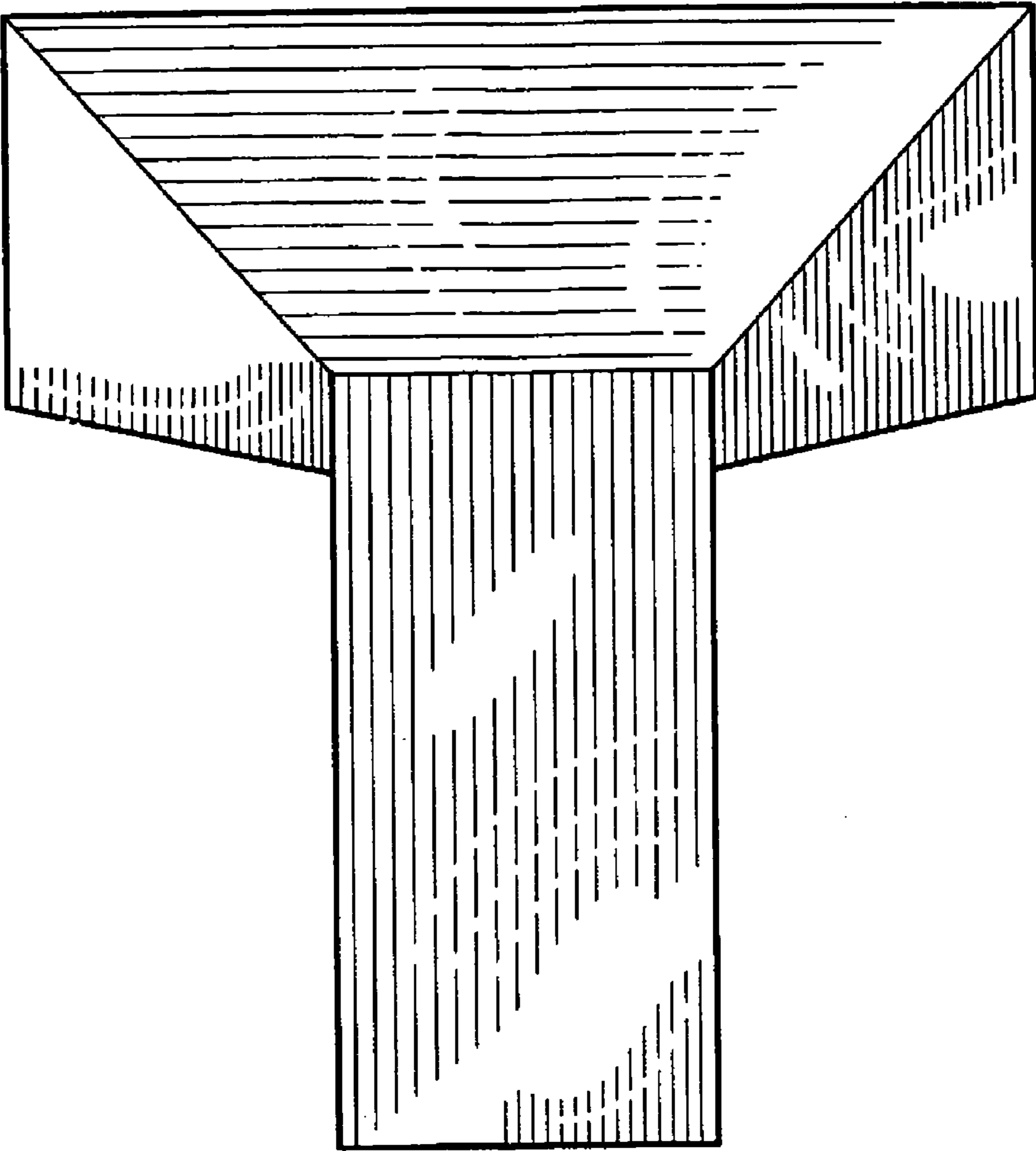


Fig. 2

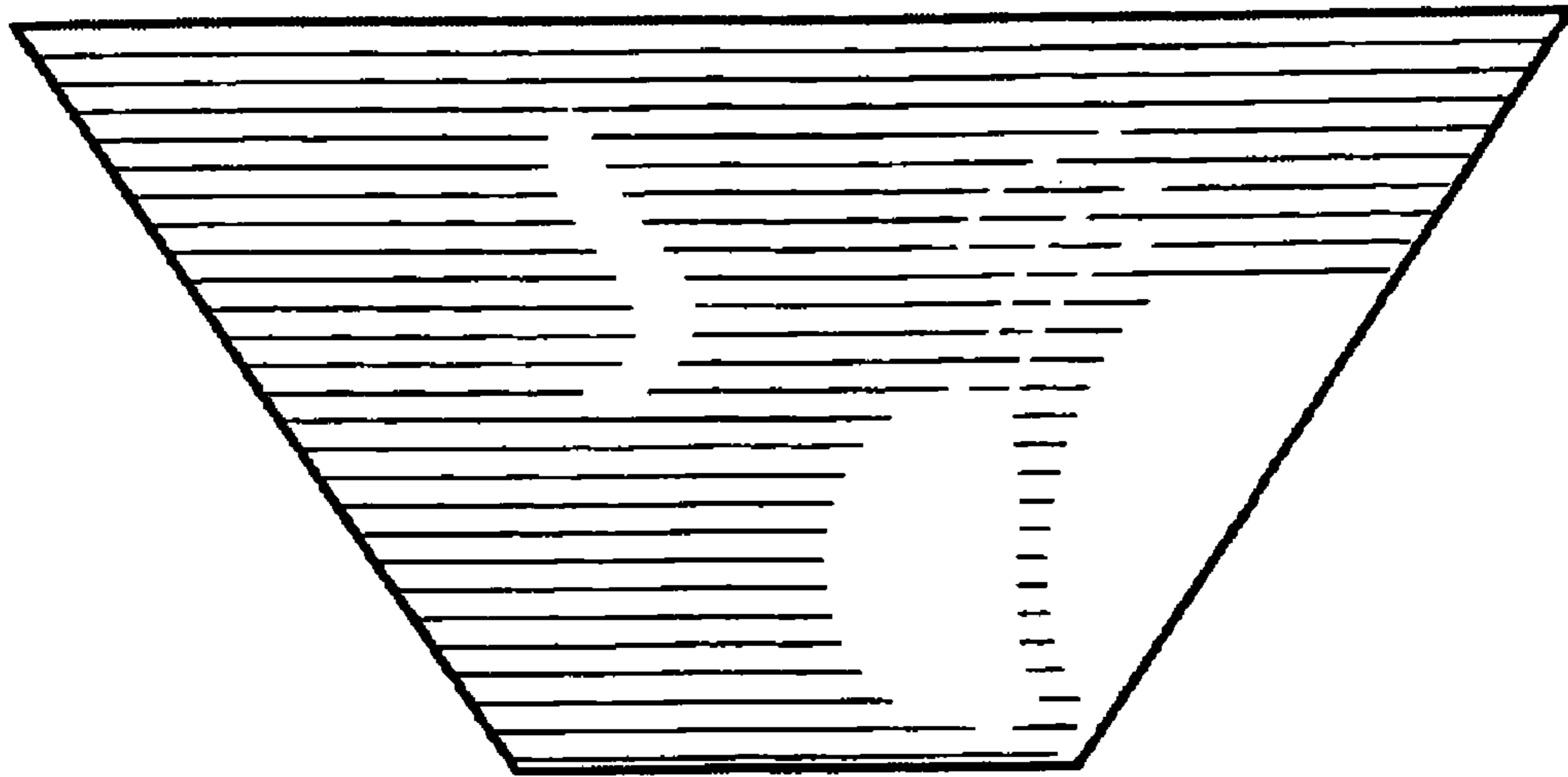


Fig. 3

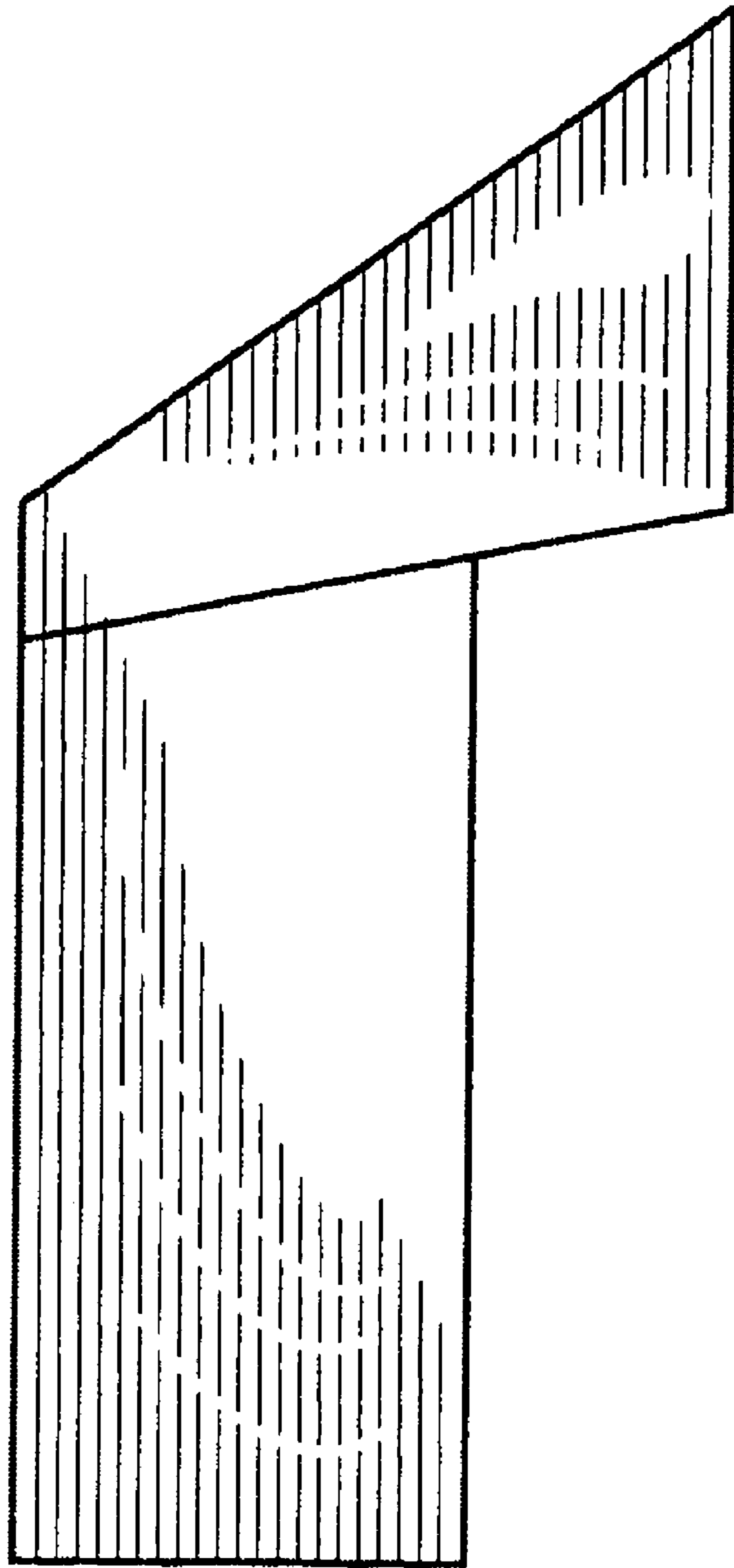


Fig. 4

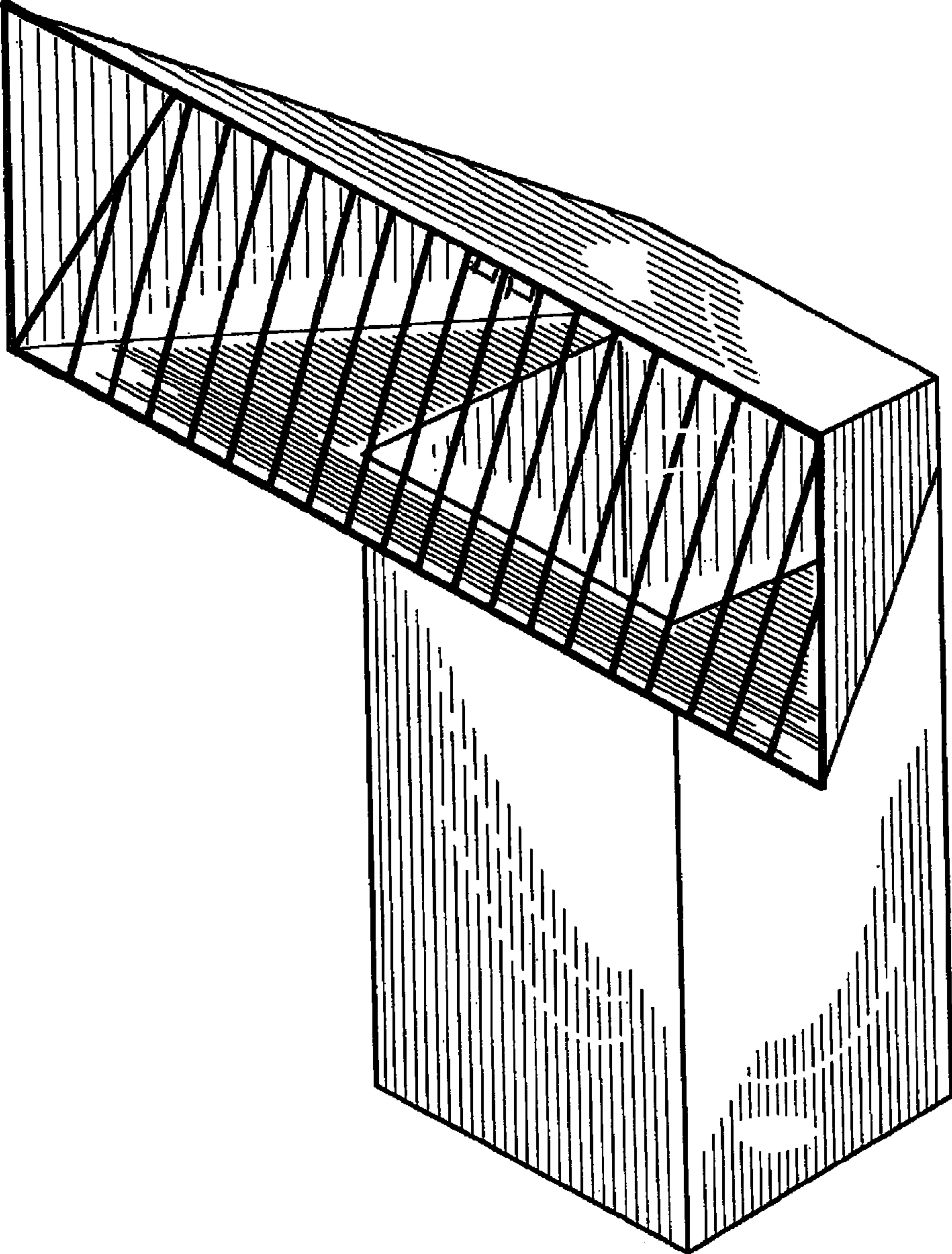


Fig. 5