



US00D618385S

(12) **United States Design Patent**  
**Nelson et al.**

(10) **Patent No.:** **US D618,385 S**  
(45) **Date of Patent:** **\*\* Jun. 22, 2010**

(54) **ILLUMINATING DEVICE**  
(75) Inventors: **David Nelson**, Las Vegas, NV (US);  
**Wai-ming Law**, Yuen Long (HK)  
(73) Assignee: **Sol-Light, LLC**, Las Vegas, NV (US)  
(\*\*) Term: **14 Years**  
(21) Appl. No.: **29/350,949**  
(22) Filed: **Nov. 25, 2009**

6,113,250 A \* 9/2000 Lin ..... 362/287  
6,206,543 B1 \* 3/2001 Henry ..... 362/191  
D456,546 S \* 4/2002 Bernard ..... D26/64  
6,419,370 B1 \* 7/2002 Chen ..... 362/98  
6,604,837 B2 \* 8/2003 Sandberg ..... 362/191  
7,017,871 B2 \* 3/2006 Chen ..... 248/161  
D520,663 S \* 5/2006 Ancona et al. .... D26/65  
D526,734 S \* 8/2006 Brown ..... D26/60  
D585,578 S \* 1/2009 Levine ..... D26/61  
D599,494 S \* 9/2009 Levine ..... D26/61  
2003/0179572 A1 \* 9/2003 Schnell ..... 362/191

\* cited by examiner

(51) **LOC (9) Cl.** ..... **26-99**  
(52) **U.S. Cl.** ..... **D26/138**  
(58) **Field of Classification Search** ..... D26/2,  
D26/142, 134, 129, 124, 118, 128, 113, 121,  
D26/125, 131, 130, 60, 61, 138, 93, 102,  
D26/103, 106, 107, 110, 147, 153, 149, 141,  
D26/145, 155, 24, 63, 120, 122, 123, 65,  
D26/88; D8/396; 362/294, 98, 641, 257,  
362/269, 270, 277, 279, 285, 341, 347, 350,  
362/351, 363, 395, 410

*Primary Examiner*—Cathron C Brooks  
*Assistant Examiner*—Kevin K Rudzinski  
(74) *Attorney, Agent, or Firm*—Banner & Witcoff, Ltd.

See application file for complete search history.

(57) **CLAIM**

The ornamental design for an illuminating device, as shown and described.

(56) **References Cited**

**DESCRIPTION**

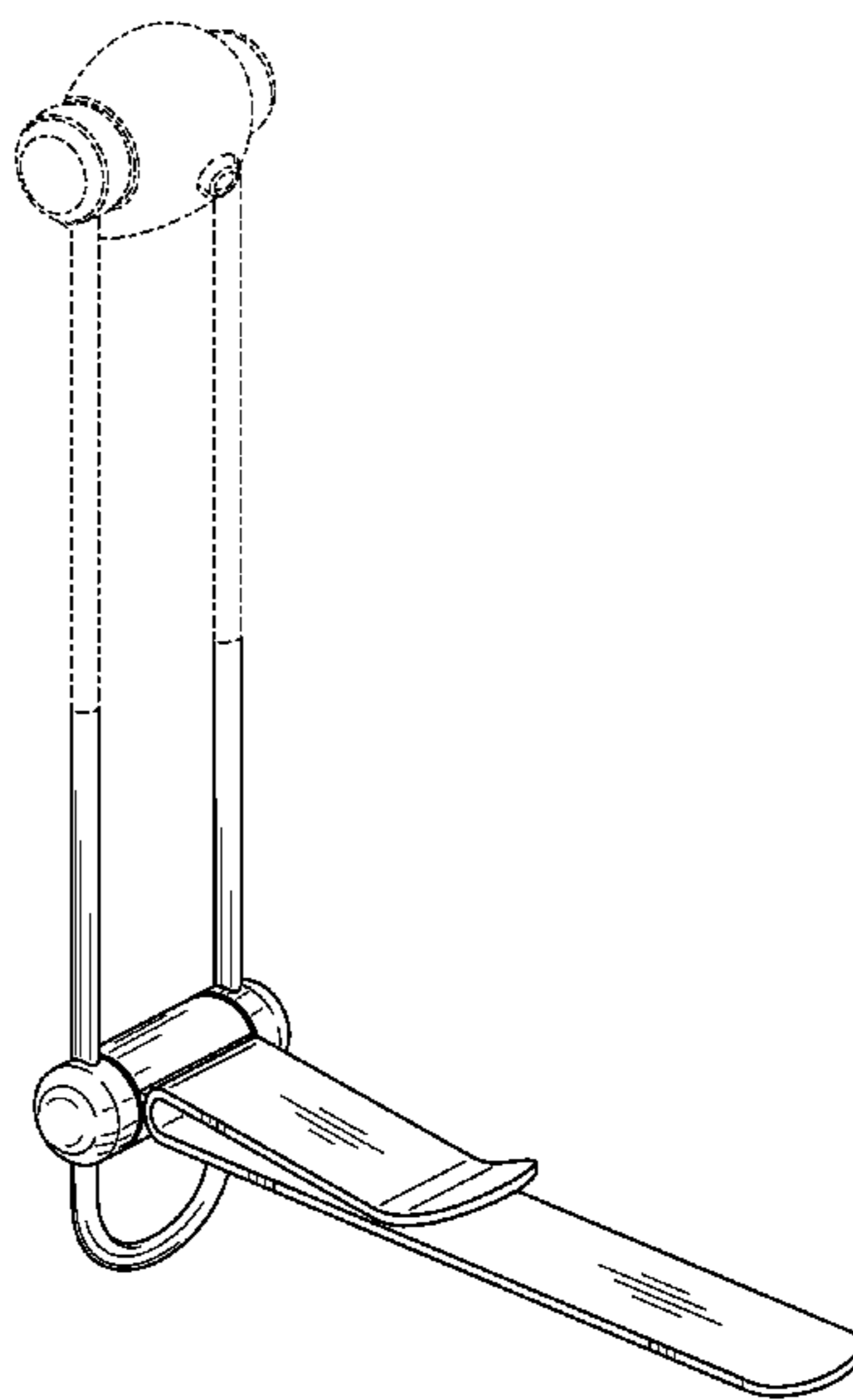
**U.S. PATENT DOCUMENTS**

1,949,289 A \* 2/1934 Andersen ..... 362/368  
2,524,881 A \* 10/1950 Chambers ..... 362/190  
2,644,383 A \* 7/1953 Meditz ..... 359/369  
4,214,688 A \* 7/1980 Griffin, Jr. .... 224/197  
D314,836 S \* 2/1991 Sonneman ..... D26/108  
D321,405 S \* 11/1991 Shwisha ..... D26/65  
5,103,384 A \* 4/1992 Drohan ..... 362/191  
5,176,443 A \* 1/1993 Lin ..... 362/413  
D334,438 S \* 3/1993 Kua ..... D26/63  
D353,905 S \* 12/1994 Lin ..... D26/65  
D354,677 S \* 1/1995 Troyer ..... D8/396  
D390,989 S \* 2/1998 Zeller ..... D26/60  
D405,905 S \* 2/1999 Lin ..... D26/65  
D411,323 S \* 6/1999 Benghozi ..... D26/64

FIG. 1 is a front perspective view of an illuminating device showing our new design;  
FIG. 2 is a front view thereof;  
FIG. 3 is a rear view thereof;  
FIG. 4 is a right side view thereof;  
FIG. 5 is a left side view thereof;  
FIG. 6 is a top view thereof; and,  
FIG. 7 is a bottom view thereof.

The broken lines immediately adjacent to the shaded regions form unclaimed boundaries of the design. The broken line showing of the lighting feature and the button on the head and the remainder of the illuminating device are for illustrative purposes only and form no part of the claimed design.

**1 Claim, 5 Drawing Sheets**



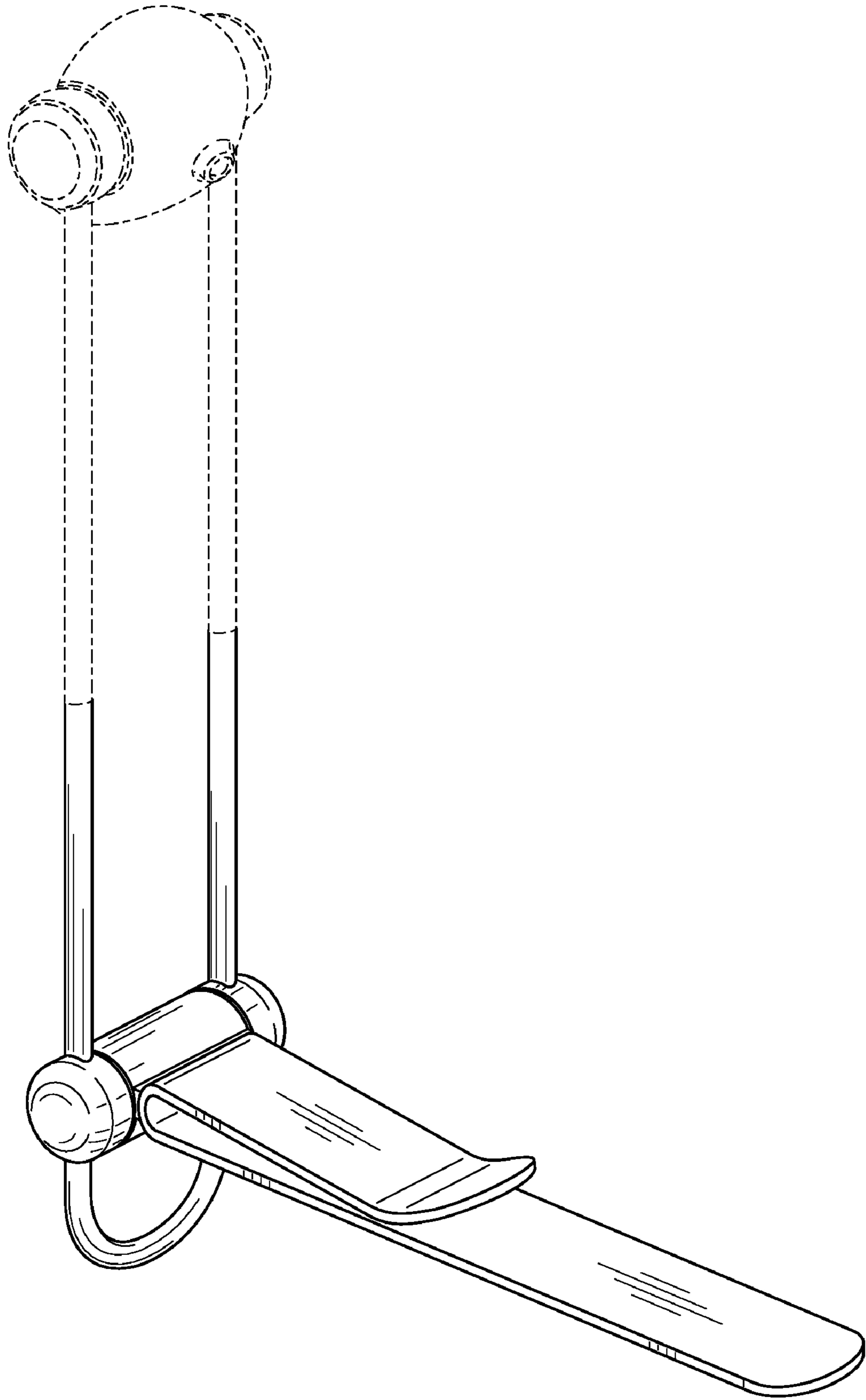


FIG. 1

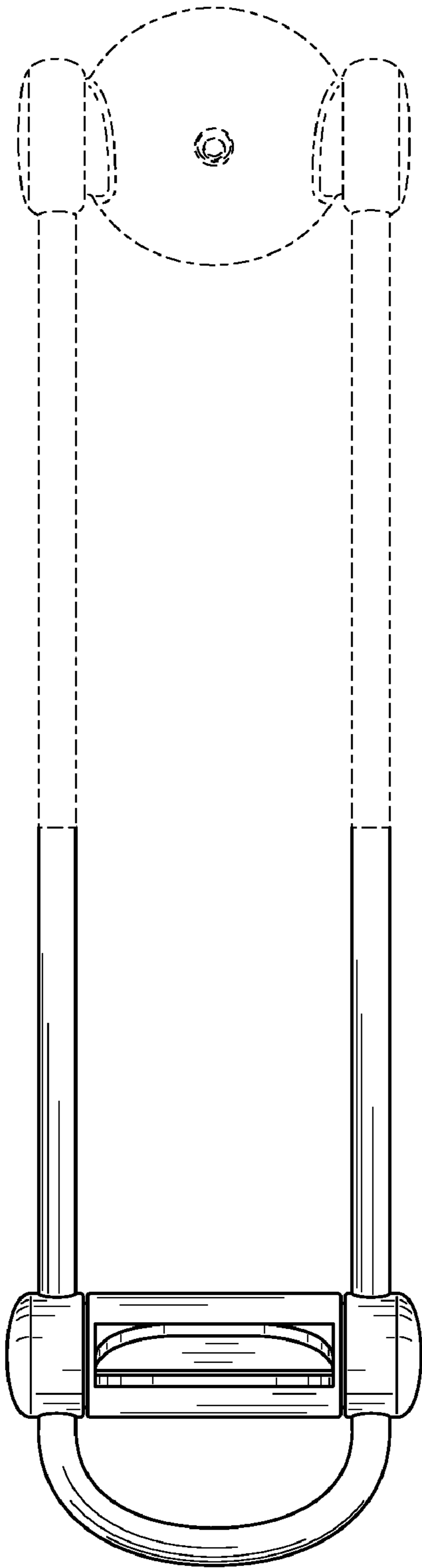


FIG. 2

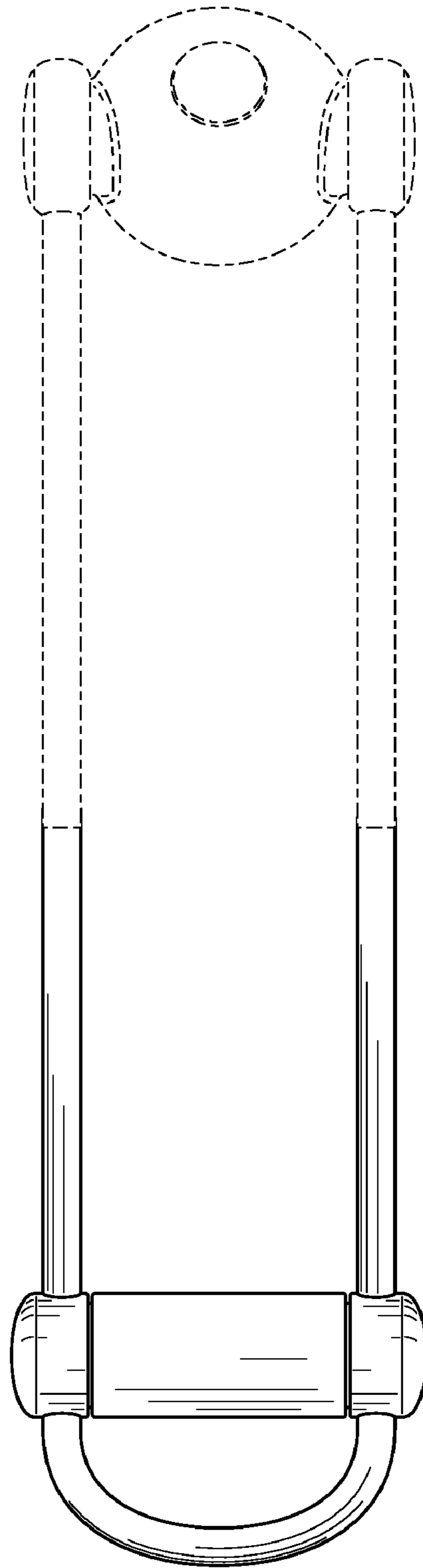


FIG. 3

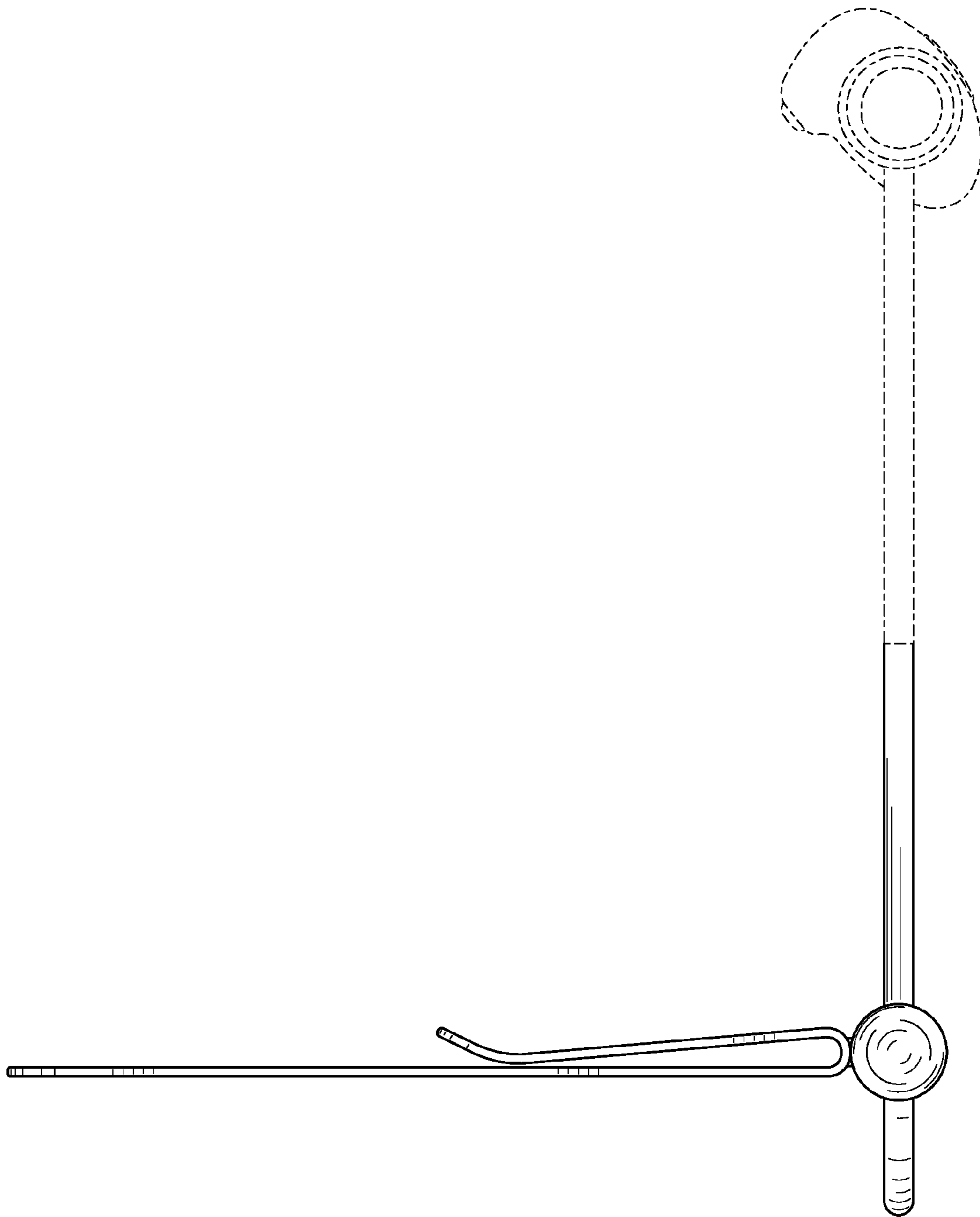


FIG. 4

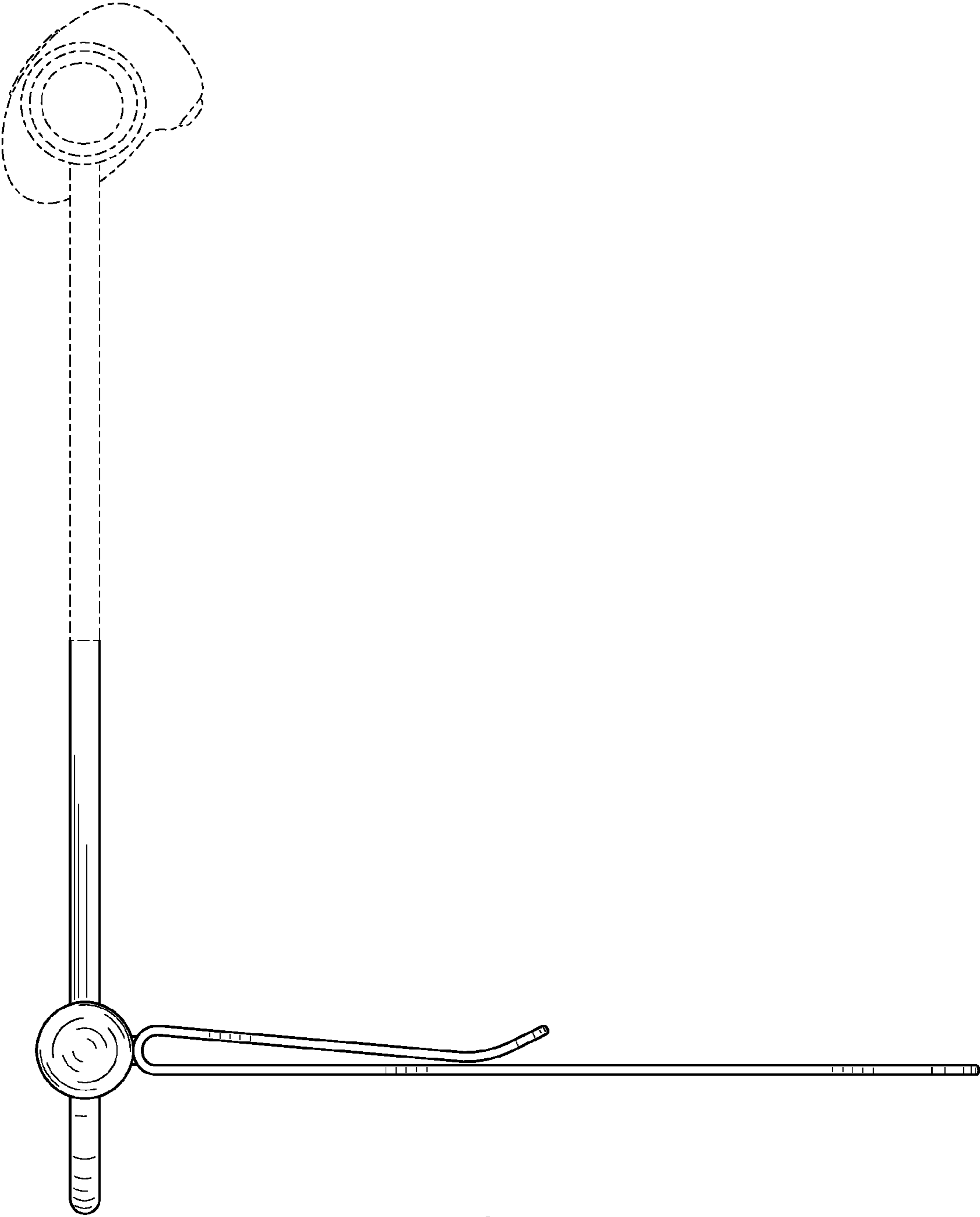


FIG. 5

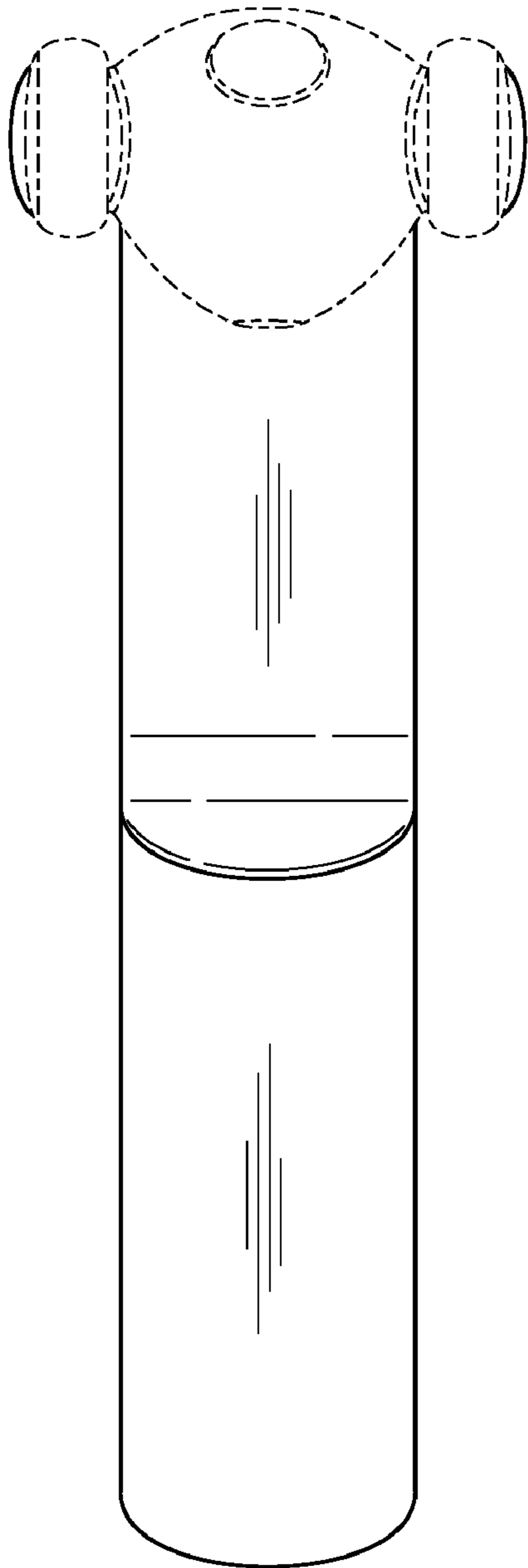


FIG. 6

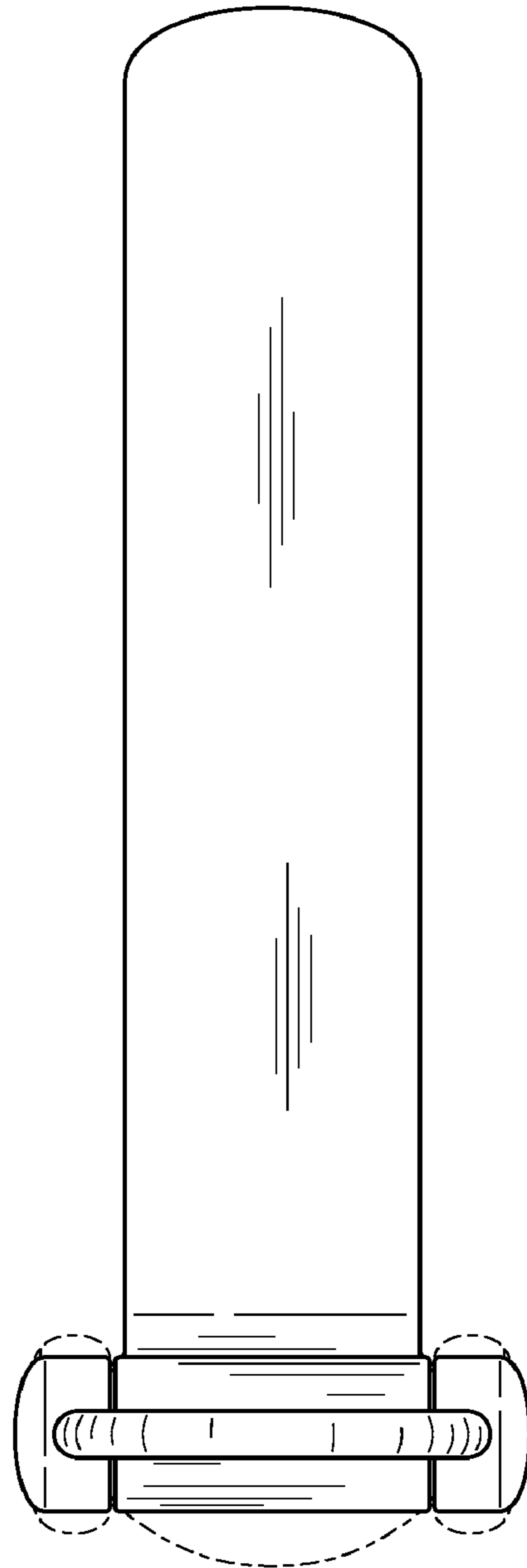


FIG. 7