



US00D618384S

(12) **United States Design Patent**
Chen et al.

(10) **Patent No.:** **US D618,384 S**
(45) **Date of Patent:** **** Jun. 22, 2010**

(54) **LENS FOR LED LIGHT SOURCE**
(75) Inventors: **Chin-Chung Chen**, Taipei Hsien (TW);
Hai-Wei Zhang, Shenzhen (CN)

2008/0001160 A1* 1/2008 Andrews 257/79
2008/0080187 A1* 4/2008 Purinton 362/294
2008/0203412 A1* 8/2008 Shyu et al. 257/98
2008/0266869 A1* 10/2008 Tai et al. 362/294

(73) Assignee: **Foxconn Technology Co., Ltd.**,
Tu-Cheng, Taipei Hsien (TW)

* cited by examiner

(**) Term: **14 Years**

Primary Examiner—Cathron C Brooks

Assistant Examiner—Kevin K Rudzinski

(74) *Attorney, Agent, or Firm*—Frank R. Niranjana

(21) Appl. No.: **29/341,396**

(57) **CLAIM**

(22) Filed: **Aug. 4, 2009**

The ornamental design for a lens for LED light source, as shown and described.

(51) **LOC (9) Cl.** **26-99**

(52) **U.S. Cl.** **D26/120**

(58) **Field of Classification Search** D26/113,
D26/63, 118, 93, 110, 138, 61, 24, 120, 40,
D26/73, 2, 25, 37, 60, 81, 119, 122, 123,
D26/128, 140, 141, 142; 362/33, 249.09,
362/648, 101; D13/110, 134, 180; 439/121,
439/239, 241

DESCRIPTION

See application file for complete search history.

FIG. 1 is a perspective view of a lens for LED light source showing our new design.

FIG. 2 is a front elevational view thereof.

FIG. 3 is a rear elevational view thereof.

FIG. 4 is a left-side elevational view thereof, the right-side, elevational view being a mirror image of FIG. 4.

FIG. 5 is a top plan view thereof.

FIG. 6 is a bottom plan view thereof, wherein internal portions are shown in broken lines for illustrative purposes only and form no part of the claimed design.

FIG. 7 is a cross-sectional view of the lens for LED light source of FIG. 5, taken along a line VII—VII thereof, wherein internal portions are shown in broken lines for illustrative purposes only and form no part of the claimed design; and,

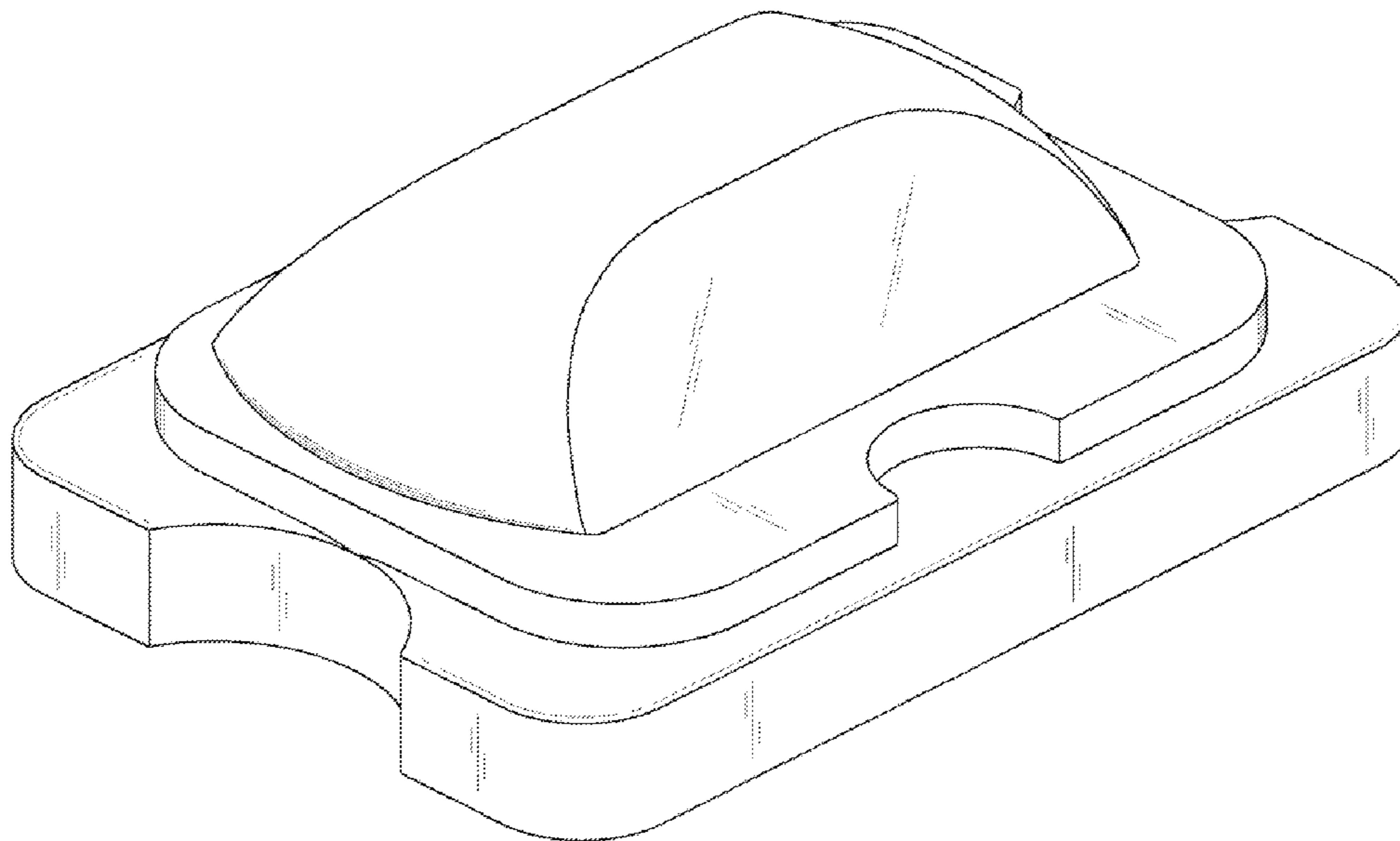
FIG. 8 is a cross-sectional view of the lens for LED light source of FIG. 5, taken along a line VIII—VIII thereof, wherein internal portions are shown in broken lines for illustrative purposes only and form no part of the claimed design.

(56) **References Cited**

U.S. PATENT DOCUMENTS

5,893,633	A *	4/1999	Uchio et al.	362/244
6,367,949	B1 *	4/2002	Pederson	362/240
D460,202	S *	7/2002	Stekelenburg	D26/26
D463,589	S *	9/2002	Troyer et al.	D26/28
D492,047	S *	6/2004	Dohogne et al.	D26/28
D514,008	S *	1/2006	Sassoon	D10/113
7,055,996	B2 *	6/2006	Pond et al.	362/498
D524,260	S *	7/2006	Ishizaka et al.	D13/180
7,207,694	B1 *	4/2007	Petrack	362/240
D566,059	S *	4/2008	Tanaka	D13/180
D572,670	S *	7/2008	Ono et al.	D13/180
D574,336	S *	8/2008	Okada et al.	D13/180
2002/0067548	A1 *	6/2002	TerHovhannisian	359/627
2007/0236952	A1 *	10/2007	Chinniah et al.	362/538

1 Claim, 8 Drawing Sheets



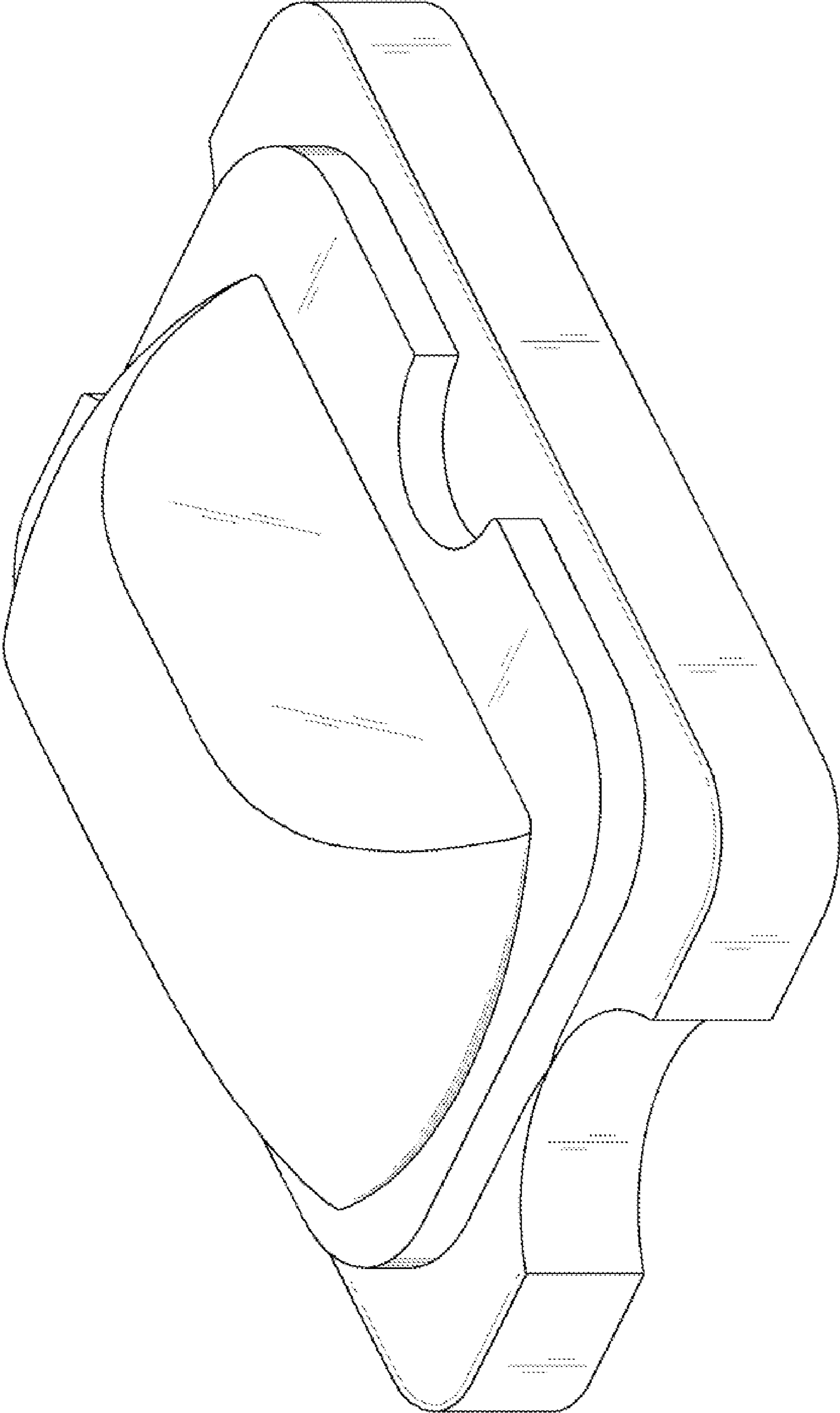


FIG. 1

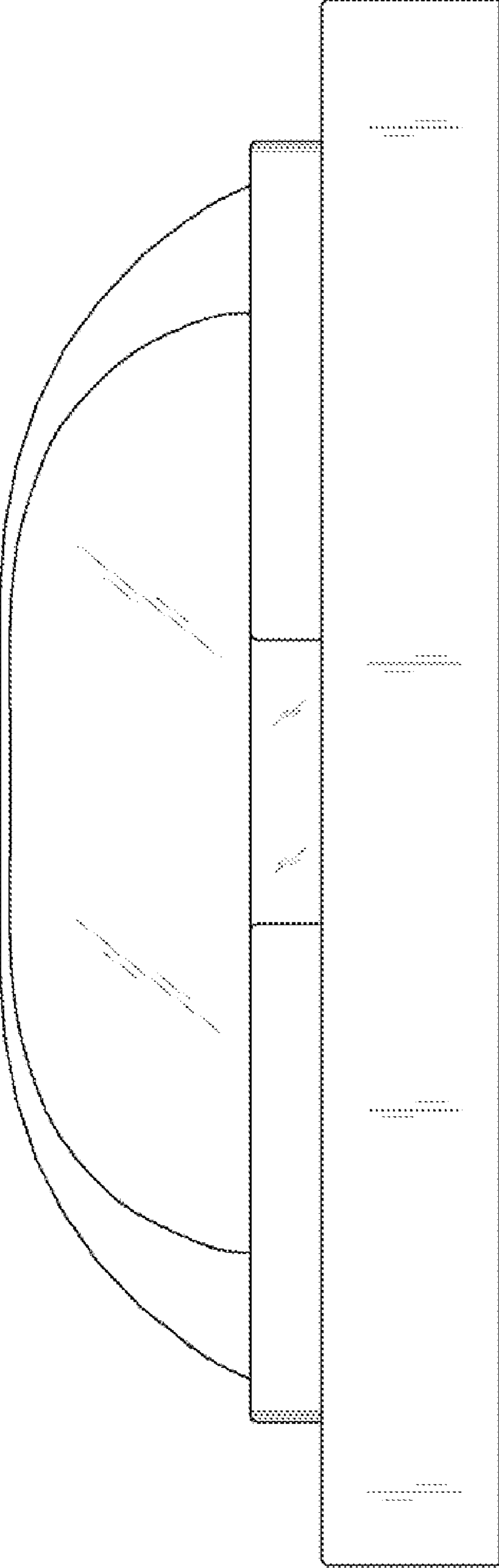


FIG. 2

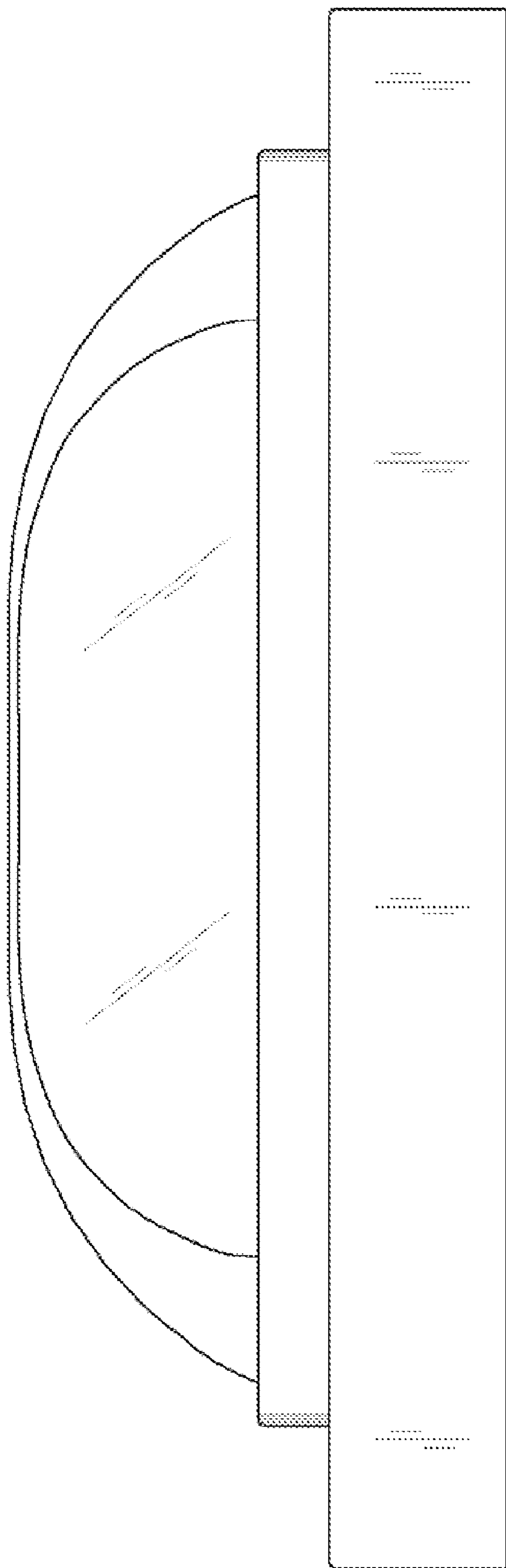


FIG. 3

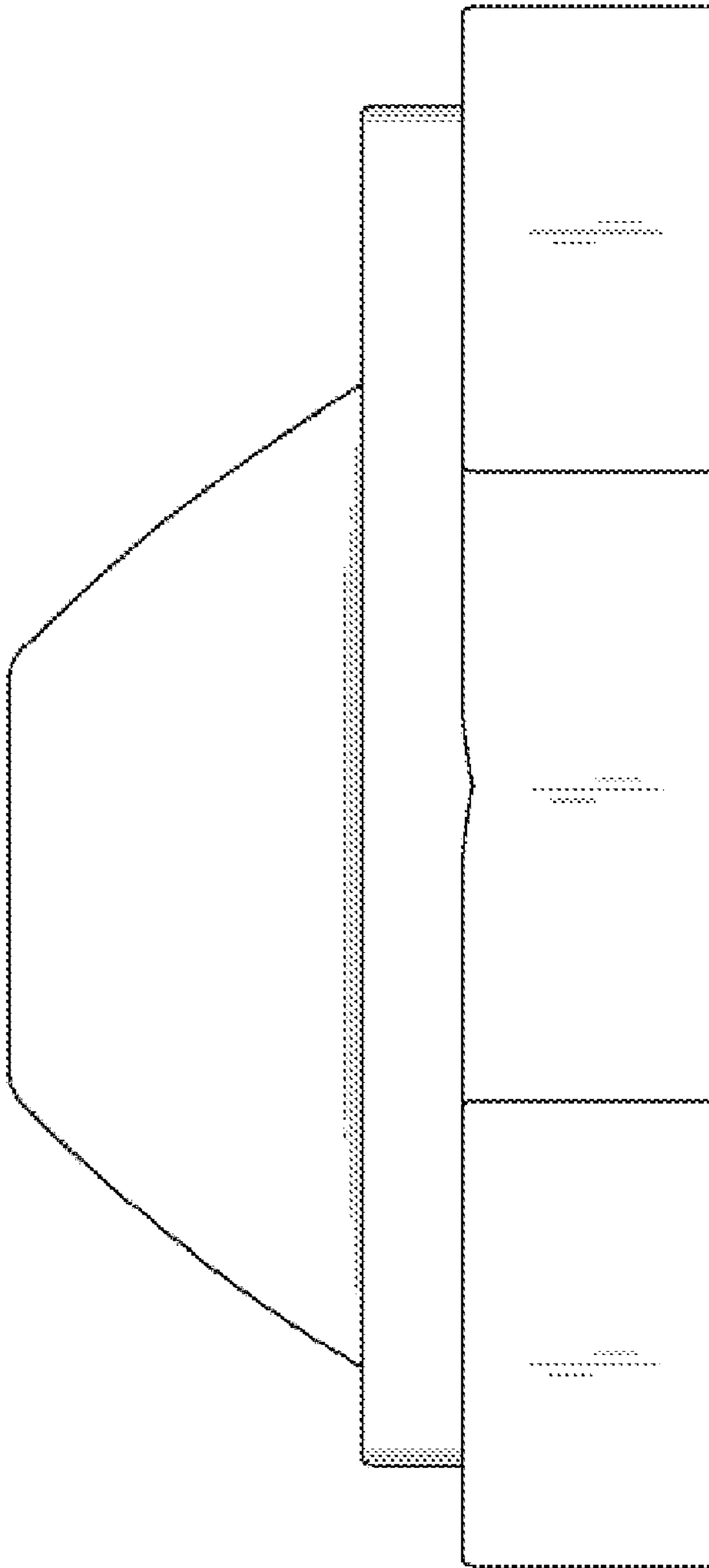
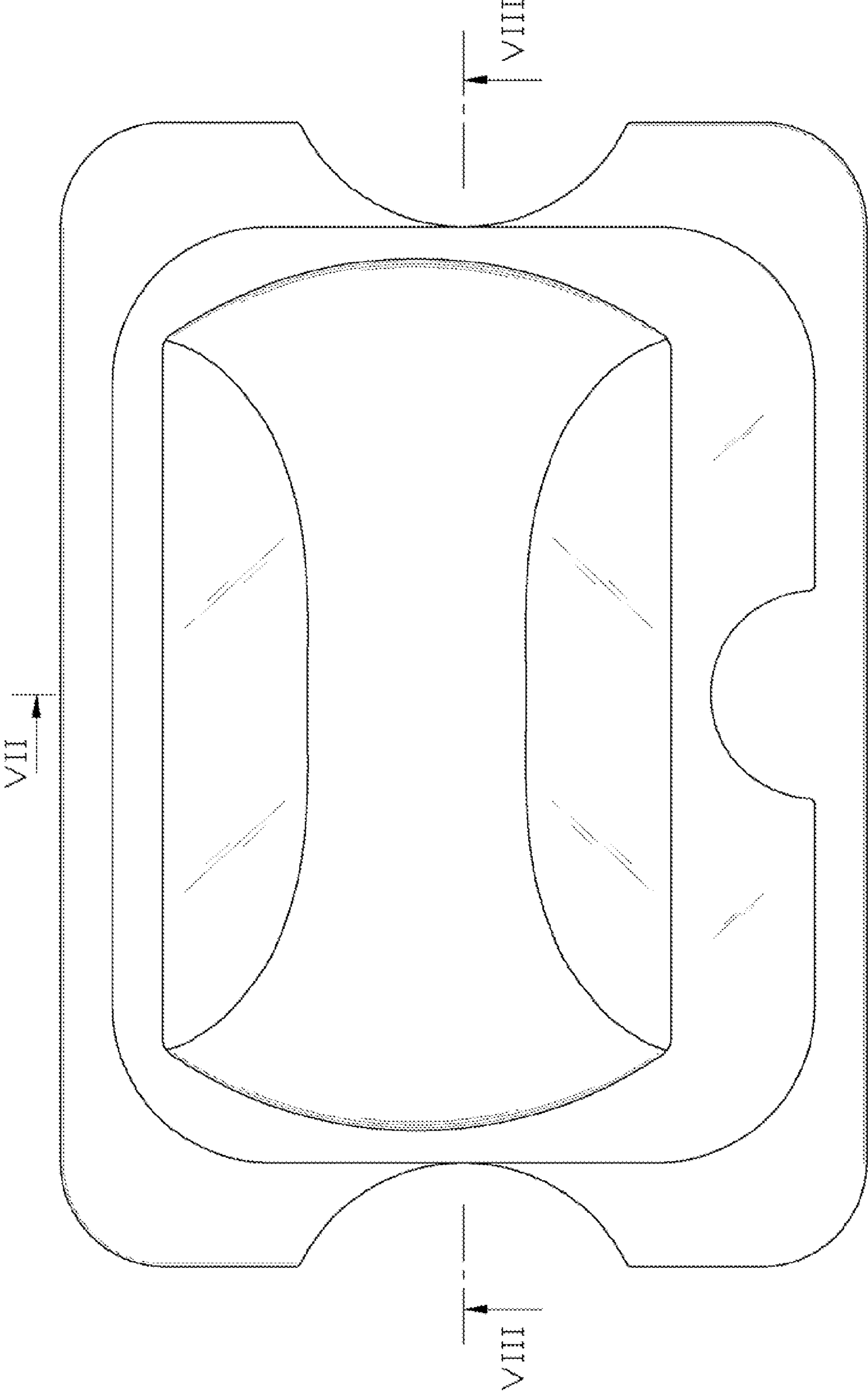


FIG. 4



VII
FIG. 5

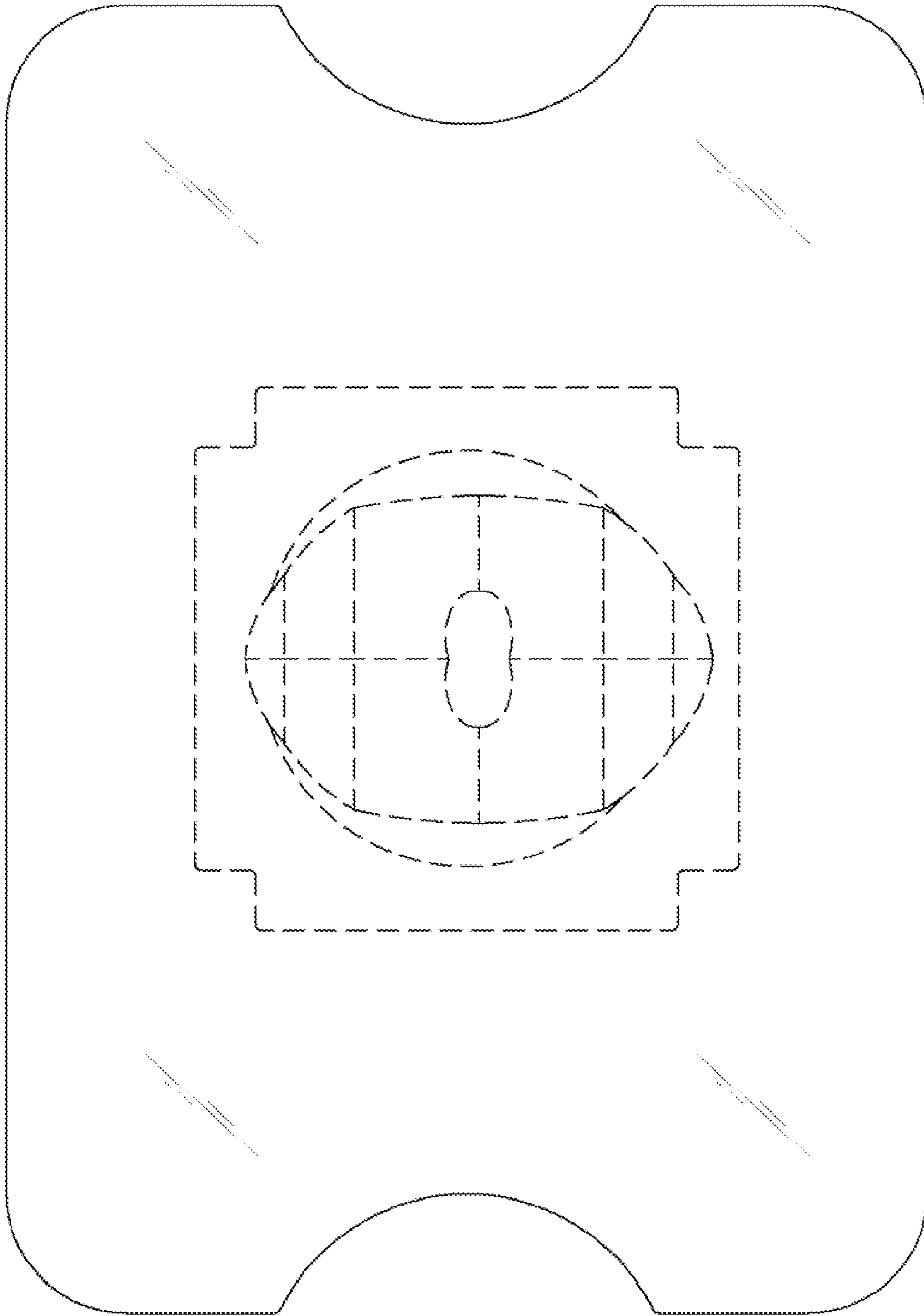


FIG. 6

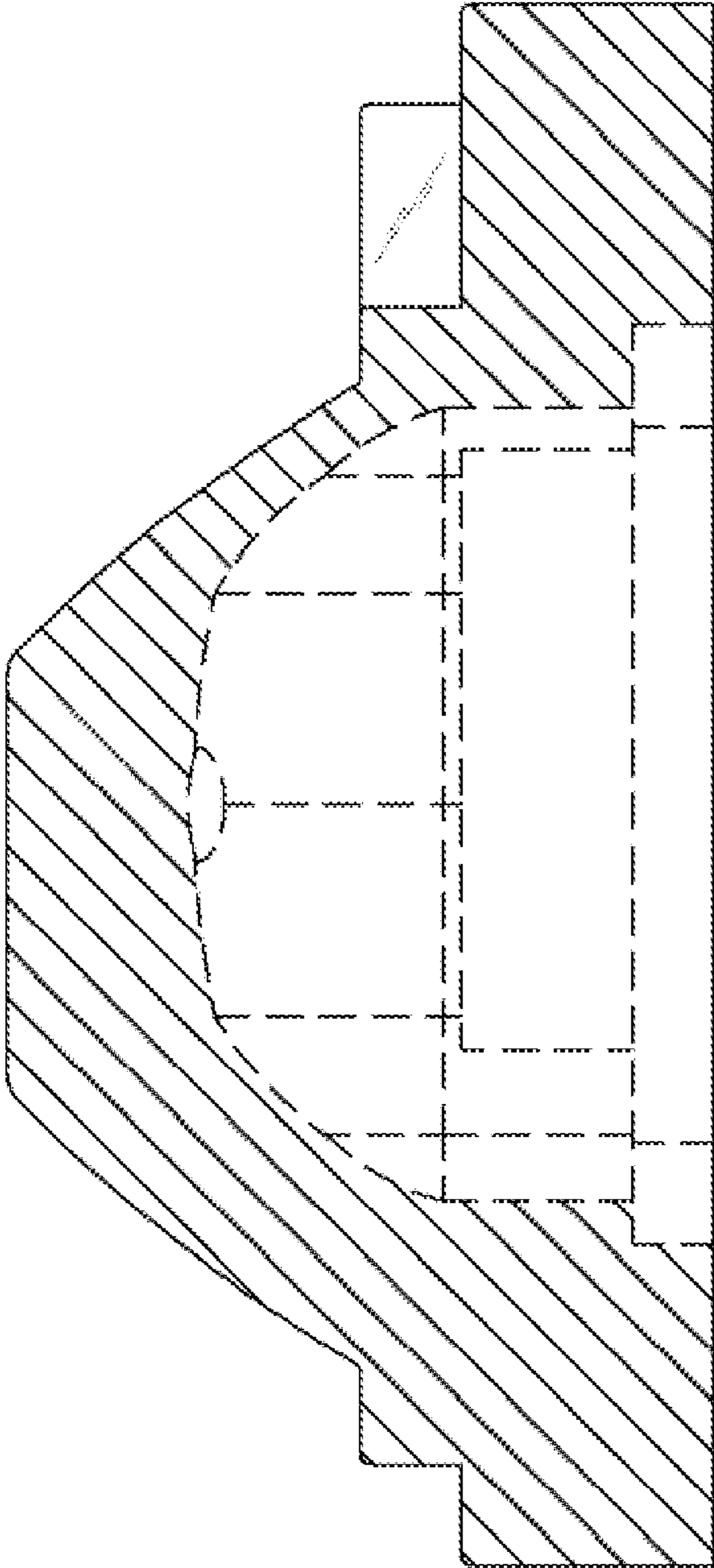


FIG. 7

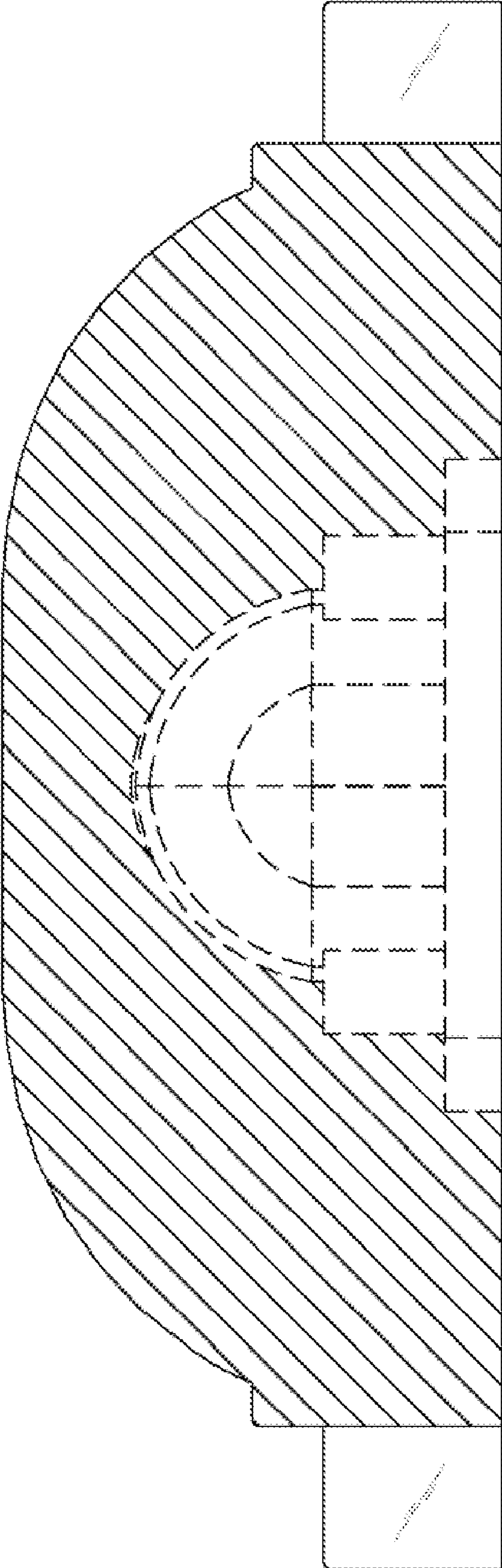


FIG. 8