



US00D618377S

(12) **United States Design Patent**
Toft

(10) **Patent No.:** **US D618,377 S**
(45) **Date of Patent:** **** Jun. 22, 2010**

(54) **LIGHTING FIXTURE**

D342,801 S * 12/1993 Poon D26/93
D397,234 S * 8/1998 Huang D26/93

(75) Inventor: **Uffe Kjaergaard Toft**, Hojbjerg (DK)

* cited by examiner

(73) Assignee: **Martin Professional A/S** (DK)

Primary Examiner—Brian N Vinson

(**) Term: **14 Years**

(74) *Attorney, Agent, or Firm*—Dykema Gossett PLLC

(21) Appl. No.: **29/321,141**

(57) **CLAIM**

(22) Filed: **Jul. 11, 2008**

The ornamental design for a lighting fixture, as shown and described.

(30) **Foreign Application Priority Data**

Apr. 17, 2008 (EP) E-00057072-R

DESCRIPTION

(51) **LOC (9) Cl.** **26-03**

FIG. 1 is a first perspective view of a lighting fixture showing my new design;

(52) **U.S. Cl.** **D26/93**

FIG. 2 is a front elevational view thereof;

(58) **Field of Classification Search** D26/1,

FIG. 3 is a rear elevational view thereof;

D26/24, 67, 93–94, 104–110; 362/3, 153,
362/186, 217, 255, 257, 277, 317, 351, 353,
362/362, 363, 382, 431, 433, 458, 806

FIG. 4 is a left side elevational view thereof;

See application file for complete search history.

FIG. 5 is a top plan view thereof;

(56) **References Cited**

FIG. 6 is a bottom plan view thereof; and,

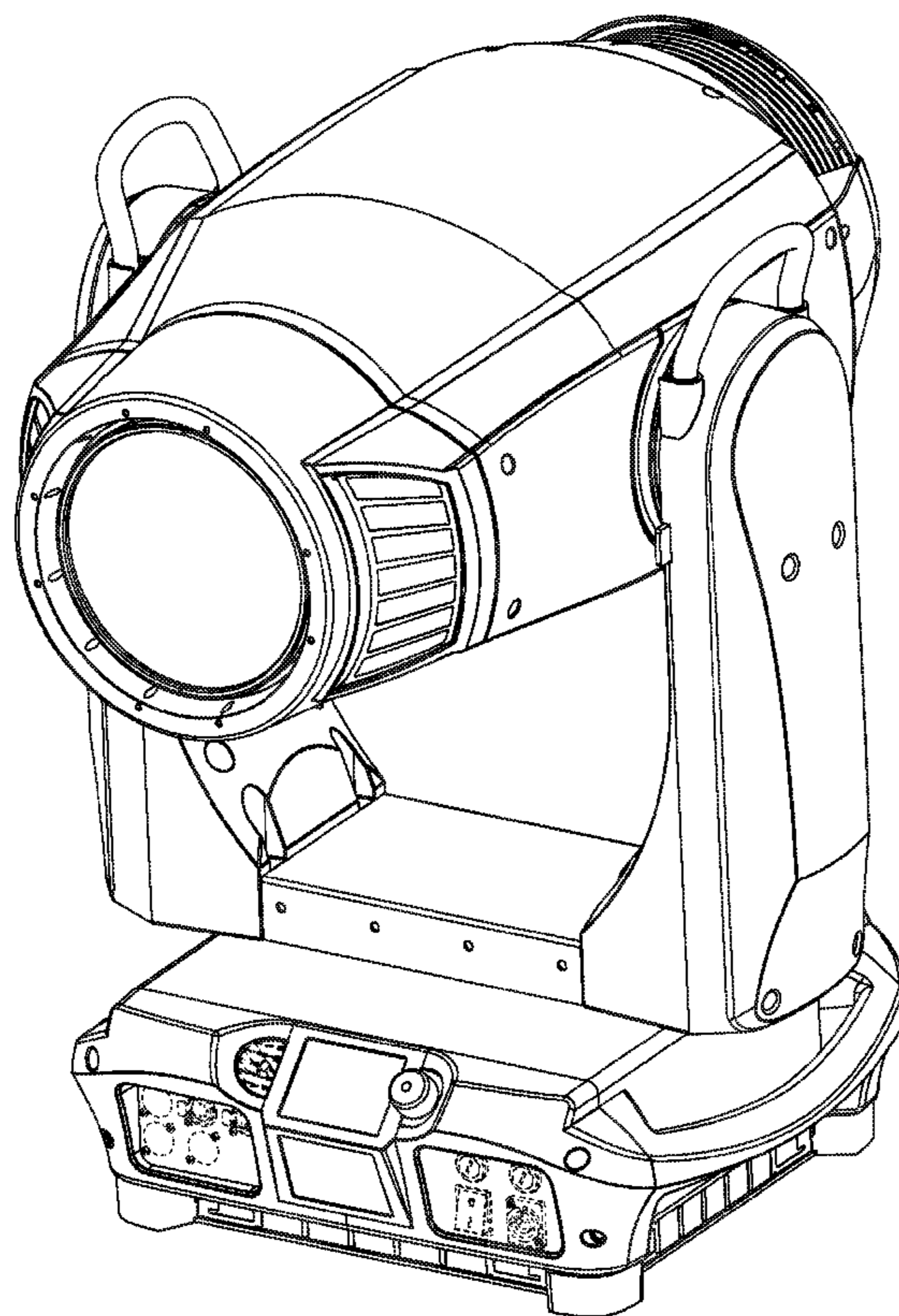
U.S. PATENT DOCUMENTS

FIG. 7 is a second perspective view thereof.

This invention relates to a lighting fixture. The right side elevational view thereof is a minor image of the left side elevational view thereof. The broken lines showing elements of the lighting fixture in FIGS. 1–7 are shown for illustrative purposes only and form no part of the claimed design.

- D158,200 S * 4/1950 Kliegl D26/65
- D251,148 S * 2/1979 Young et al. D26/93
- D257,743 S * 12/1980 Tedesco D26/104
- D258,918 S * 4/1981 Miller, Jr. D26/93
- D298,467 S * 11/1988 Stover D26/93
- D322,136 S * 12/1991 Shima et al. D26/93

1 Claim, 7 Drawing Sheets



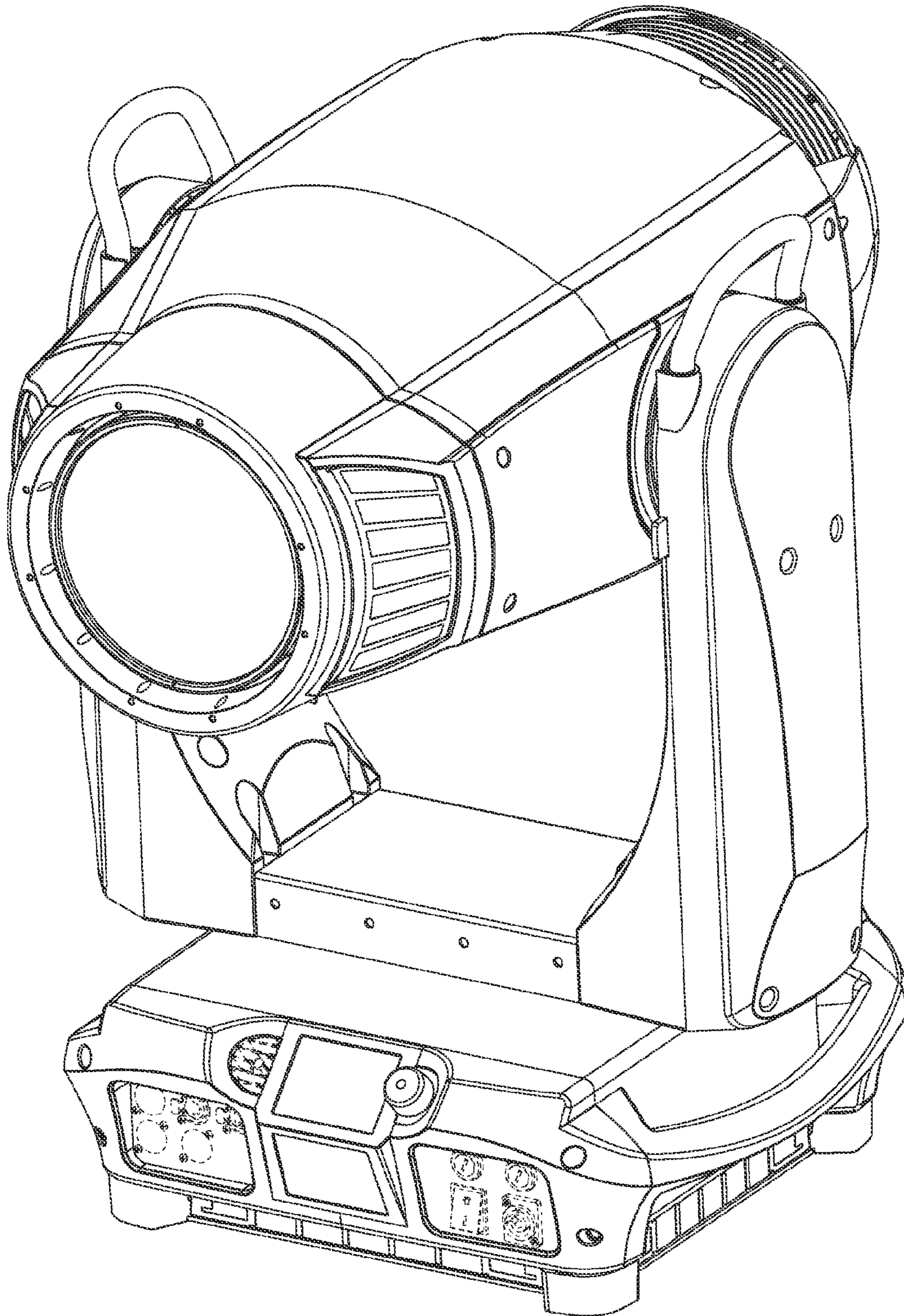


FIG. 1

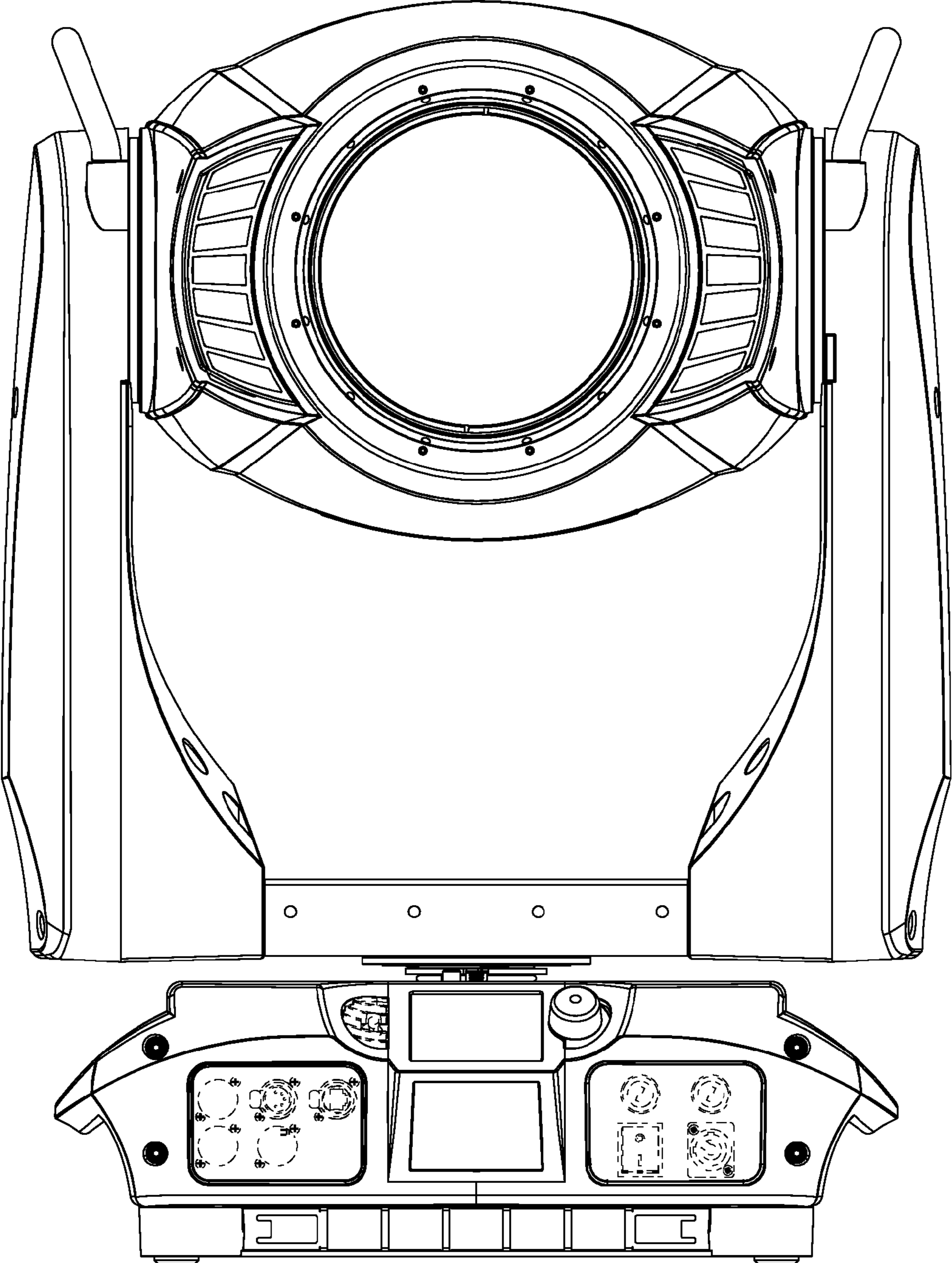


FIG. 2

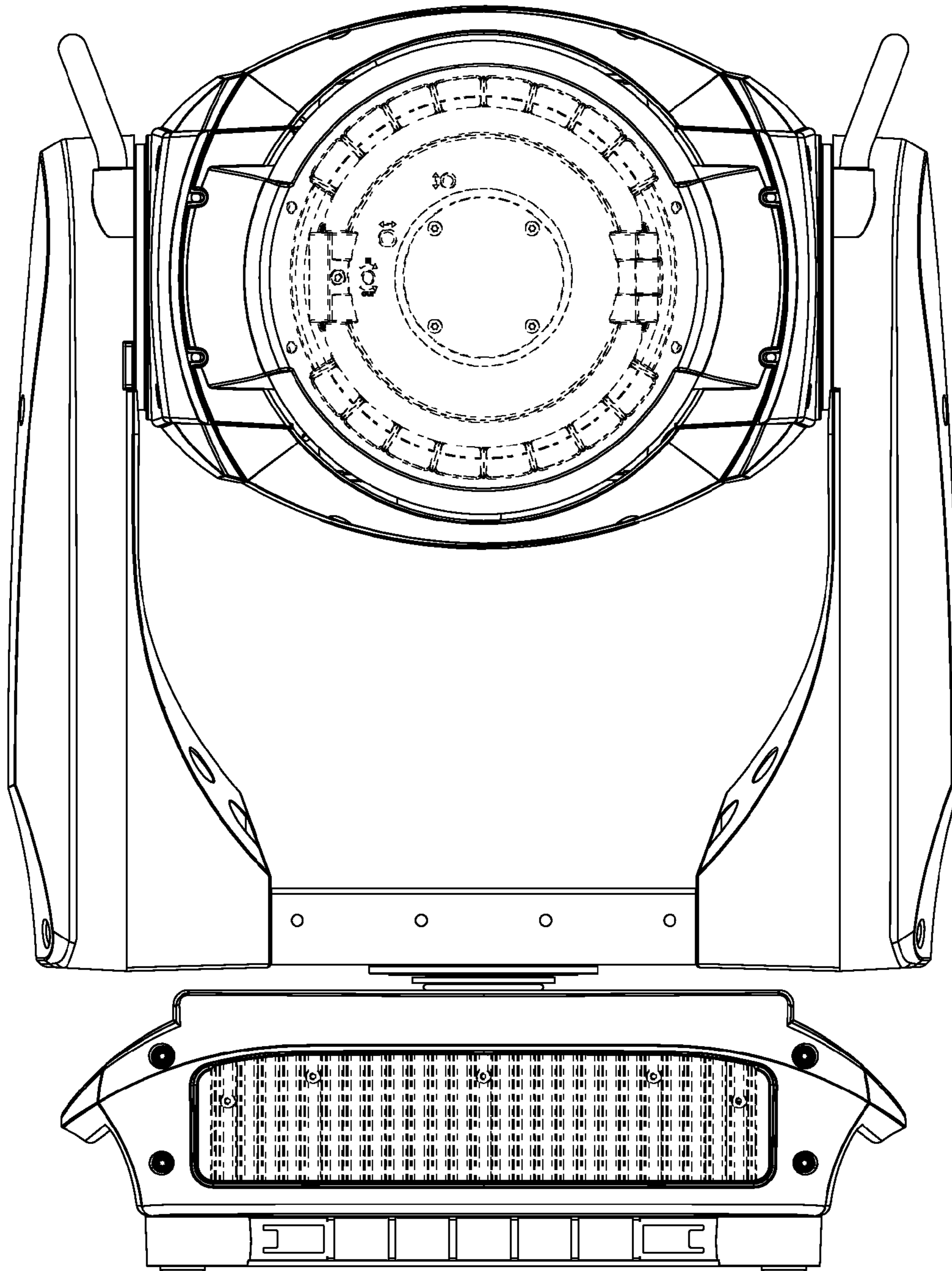


FIG. 3

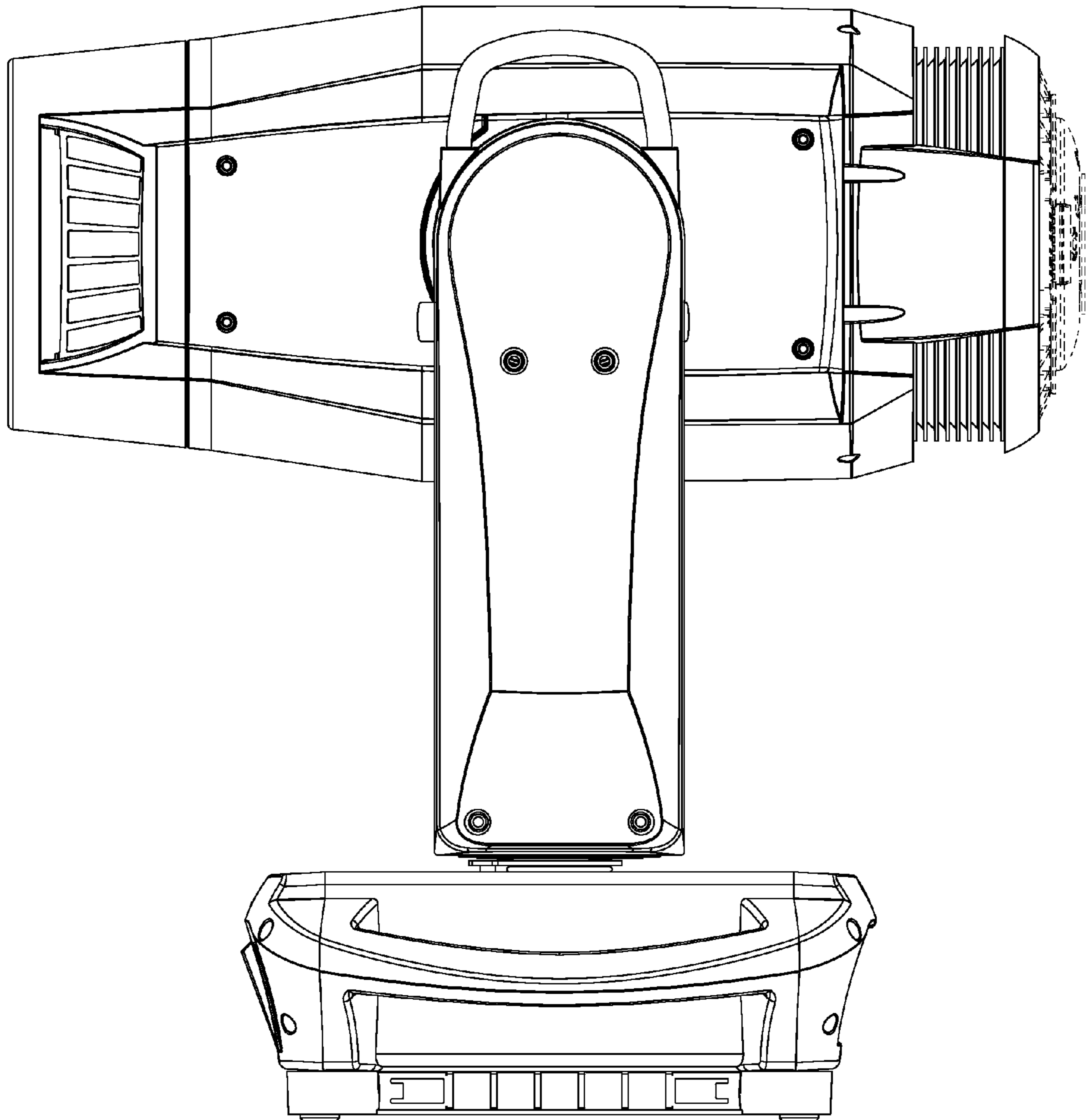


FIG. 4

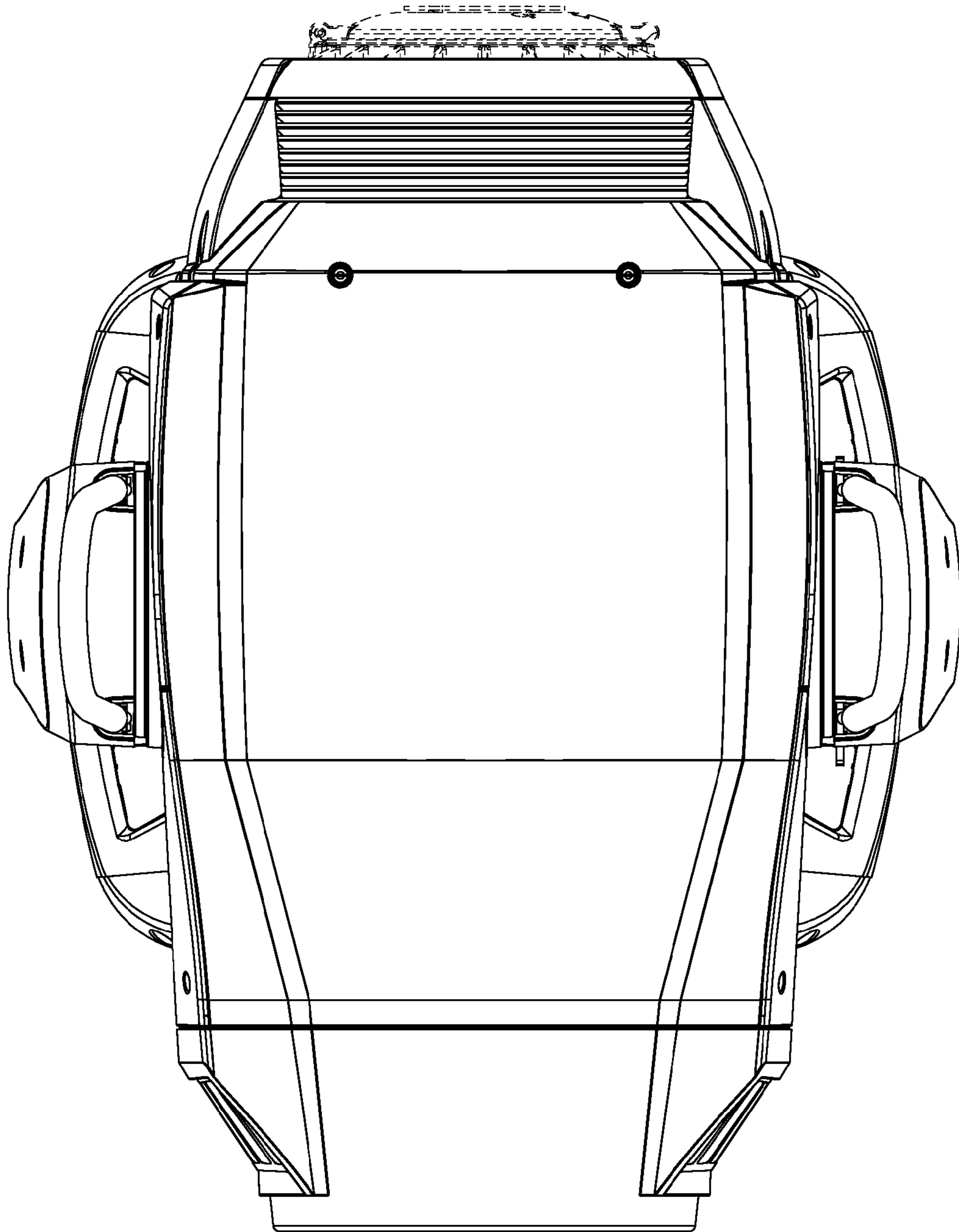


FIG. 5

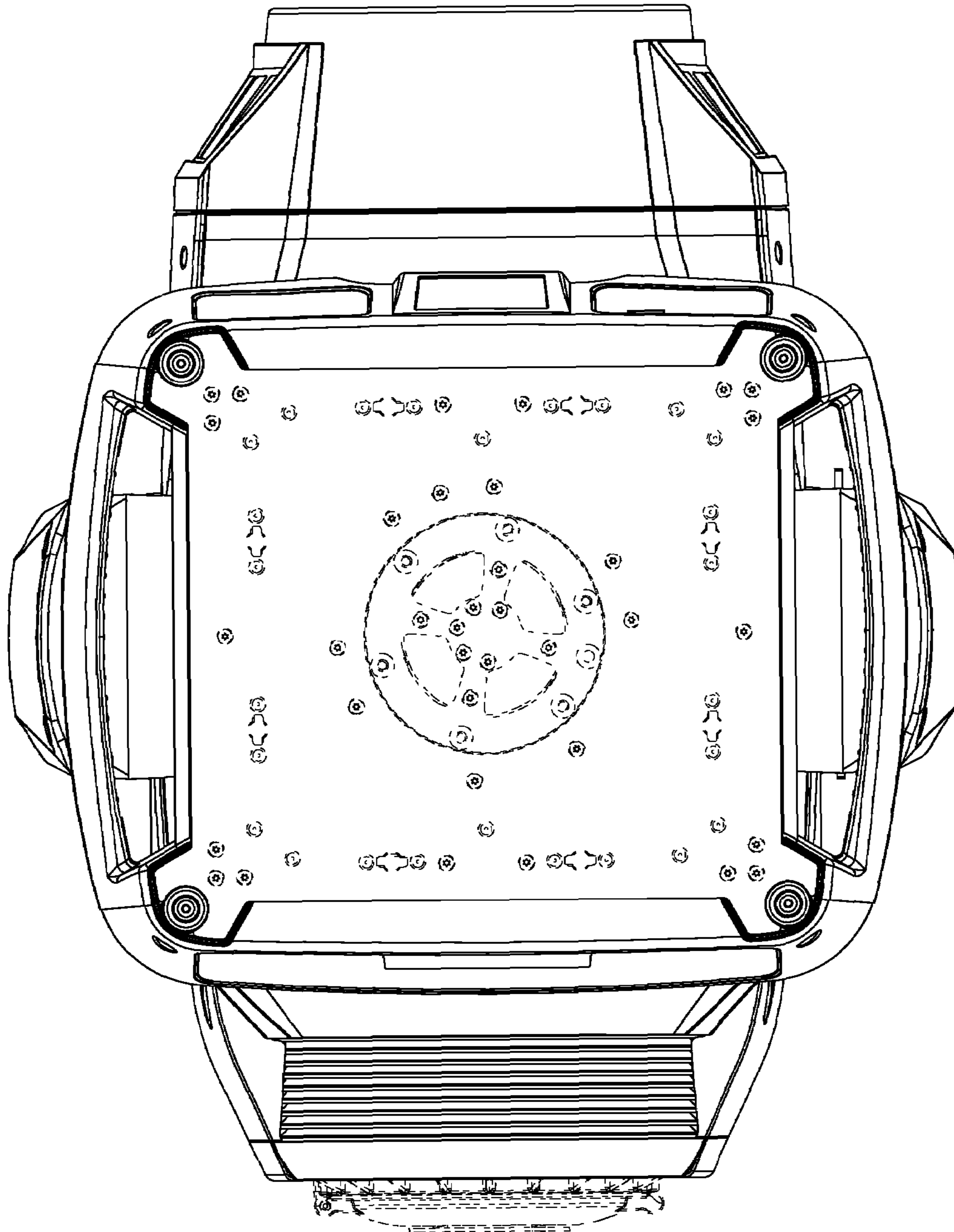


FIG. 6

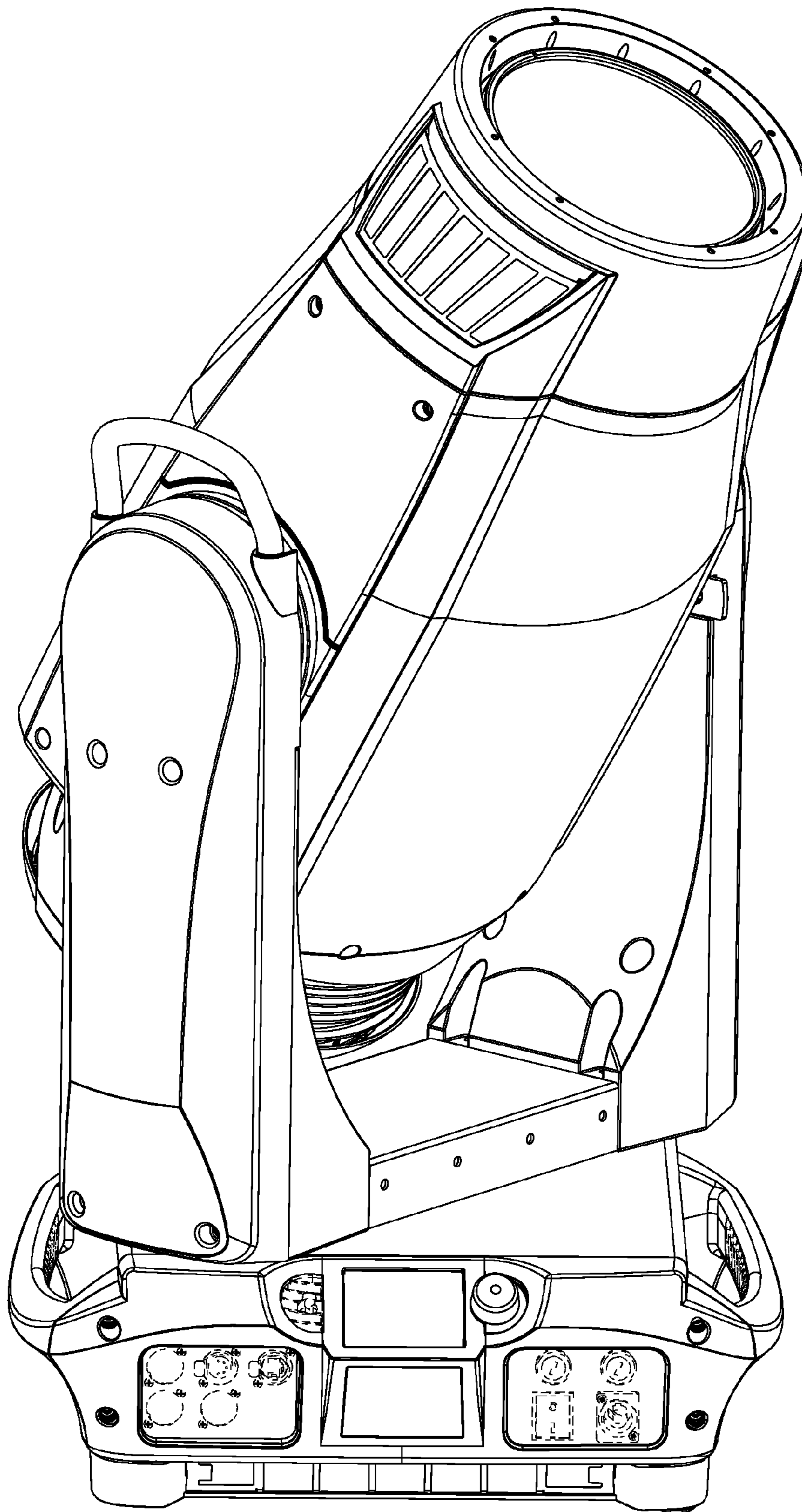


FIG. 7