



US00D618376S

(12) **United States Design Patent**
Redfern et al.

(10) **Patent No.:** **US D618,376 S**
(45) **Date of Patent:** **** Jun. 22, 2010**

(54) **LIGHTING FIXTURE**

(75) Inventors: **Chris Redfern**, Milan (IT); **Jean-Michel Wilmotte**, Paris (FR)

(73) Assignee: **Zumtobel Staff GmbH & Co. KG**, Lemgo (DE)

(**) Term: **14 Years**

(21) Appl. No.: **29/339,376**

(22) Filed: **Jun. 29, 2009**

Related U.S. Application Data

(62) Division of application No. 29/305,326, filed on Mar. 18, 2008, which is a division of application No. 29/211,634, filed on Aug. 19, 2004, now Pat. No. Des. 568,517.

Foreign Application Priority Data

Feb. 19, 2004 (EP) 00014403500010016

(51) **LOC (9) Cl.** **26-03**

(52) **U.S. Cl.** **D26/92**

(58) **Field of Classification Search** D26/61-66, D26/85, 118, 71, 72, 74, 87, 92; 362/147, 362/404-408, 362, 267, 364, 365, 431, 432
See application file for complete search history.

(56) **References Cited**

U.S. PATENT DOCUMENTS

| | | | | |
|--------------|---------|----------------|-------|---------|
| D47,863 S | 9/1915 | Seamon | | D26/63 |
| D74,734 S | 3/1928 | Garey et al. | | D26/63 |
| 1,870,241 A | 8/1932 | Dorey | | 362/243 |
| D128,967 S | 8/1941 | Peterson | | D26/63 |
| D166,411 S | 4/1952 | Rahn | | D26/80 |
| D168,738 S | 2/1953 | Friedman | | D23/334 |
| D175,528 S | 9/1955 | Atkin | | D48/20 |
| D211,388 S | 6/1968 | Harrison | | D48/20 |
| D222,556 S | 11/1971 | Mattson et al. | | D48/20 |
| 3,643,079 A | 2/1972 | Glickman | | 362/251 |
| D228,361 S * | 9/1973 | Burns et al. | | D26/71 |

| | | | | |
|-------------|--------|---------------|-------|---------|
| D232,256 S | 7/1974 | Koshigaya | | D26/102 |
| 4,316,237 A | 2/1982 | Yamada et al. | | 362/33 |
| 4,319,311 A | 3/1982 | Mitchell | | 362/250 |
| D264,206 S | 5/1982 | Heritage | | D13/133 |

(Continued)

OTHER PUBLICATIONS

Office Action, U.S. Patent and Trademark Office, U.S. Appl. No. 29/339,378, mailed on Dec. 8, 2009. 13 sheets.

(Continued)

Primary Examiner—Clare E Heflin

(74) *Attorney, Agent, or Firm*—Fitzpatrick, Cella, Harper & Scinto

(57) **CLAIM**

The ornamental design for a lighting fixture, as shown and described.

DESCRIPTION

FIG. 1 is a perspective view of an embodiment showing a side and the bottom of the new design;

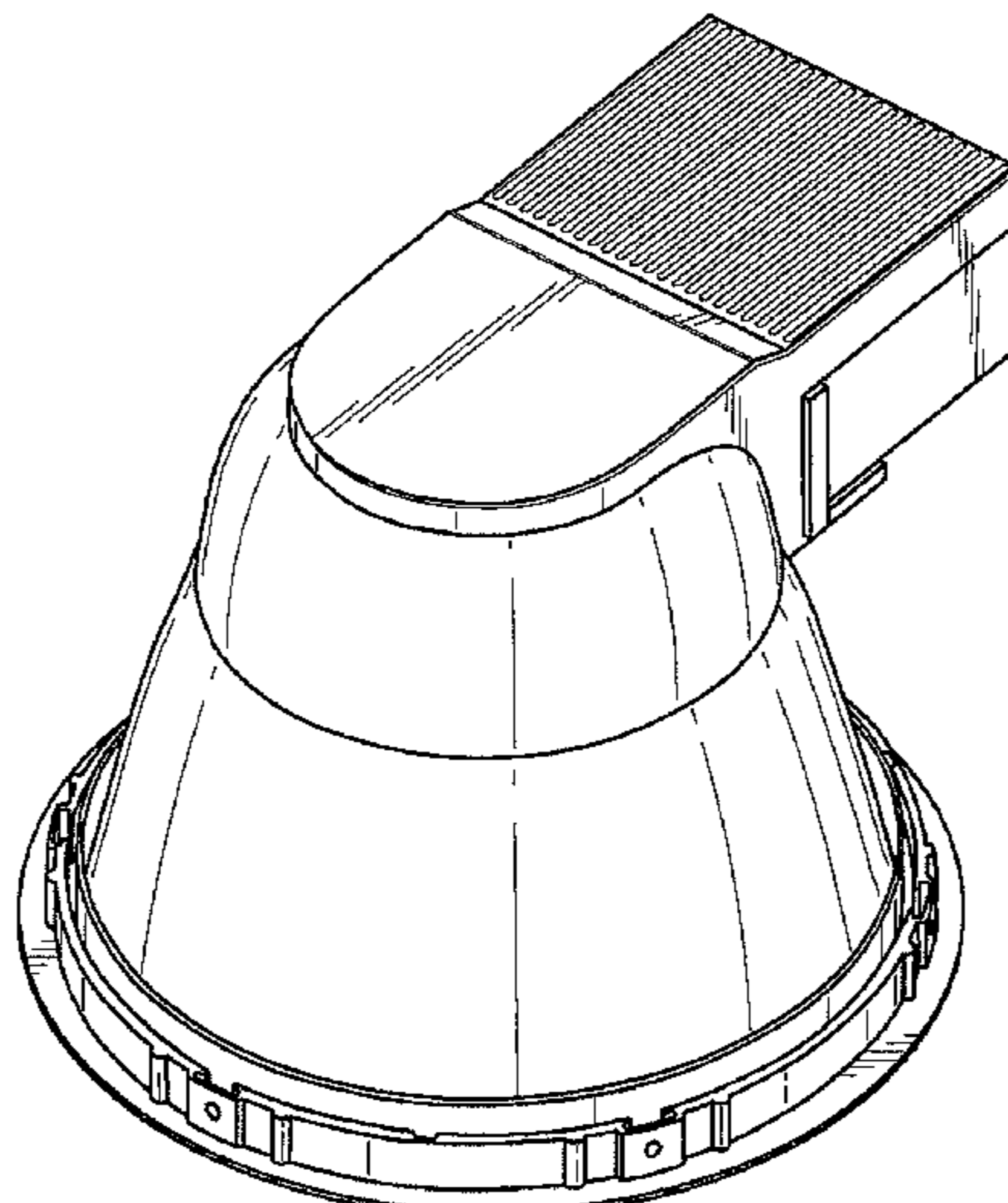
FIG. 2 is a perspective view of the embodiment of FIG. 1 and showing another side and the bottom of the new design;

FIG. 3 is a perspective view of the embodiment of FIGS. 1 and 2 and showing another side and the top of the new design; and,

FIG. 4 is a perspective view of the embodiment of FIGS. 1, 2, and 3 and showing the back and side of the new design.

The broken lines in FIGS. 1 and 2 showing lamps are shown for the purpose of illustrating environmental structure and form no part of the claimed design.

1 Claim, 2 Drawing Sheets



U.S. PATENT DOCUMENTS

| | | | | |
|----------------|---------|---------------------|-------|---------|
| D290,524 S | 6/1987 | Kusmer | | D13/110 |
| D315,419 S | 3/1991 | Layne | | D26/63 |
| D325,645 S | 4/1992 | Grange | | D26/63 |
| D333,529 S | 2/1993 | Denison et al. | | D26/68 |
| D355,722 S | 2/1995 | Roos et al. | | D26/63 |
| D360,959 S | 8/1995 | Donato et al. | | D26/63 |
| D361,146 S | 8/1995 | Jandrisits et al. | | D26/63 |
| D370,076 S | 5/1996 | Lecluze | | D26/63 |
| D384,430 S | 9/1997 | Lecluze | | D26/24 |
| D384,431 S * | 9/1997 | Bitton | | D26/74 |
| D394,241 S | 5/1998 | Wachter et al. | | D13/110 |
| D394,723 S | 5/1998 | Mier-Langner et al. | | D26/63 |
| 5,869,786 A | 2/1999 | Jaakkola et al. | | 174/96 |
| 5,921,790 A | 7/1999 | Nieminen et al. | | 439/121 |
| D420,759 S | 2/2000 | Shuenn-Fa | | D26/65 |
| 6,056,561 A | 5/2000 | Lin | | 439/121 |
| 6,059,582 A | 5/2000 | Tsai | | 439/121 |
| 6,113,401 A | 9/2000 | Nieminen et al. | | 439/121 |
| 6,120,164 A | 9/2000 | Libin et al. | | 362/269 |
| 6,132,062 A | 10/2000 | Borders et al. | | 362/251 |
| 6,132,065 A * | 10/2000 | Wedell et al. | | 362/267 |
| 6,132,069 A * | 10/2000 | Sato et al. | | 362/365 |
| 6,174,069 B1 | 1/2001 | Plunk et al. | | 362/147 |
| D437,439 S | 2/2001 | Tang | | D26/63 |
| D457,977 S | 5/2002 | Mier-Langner et al. | | D26/63 |
| D459,514 S | 6/2002 | Mier-Langner et al. | | D26/63 |
| 6,457,848 B1 * | 10/2002 | Wolf et al. | | 362/364 |

| | | | | |
|-----------------|---------|---------------------|-------|---------|
| 6,755,558 B2 * | 6/2004 | Krietenstein et al. | | 362/365 |
| D493,138 S | 7/2004 | Jiang | | D13/110 |
| 6,779,910 B1 * | 8/2004 | Pelton | | 362/364 |
| D520,177 S | 5/2006 | Roos et al. | | D26/143 |
| D526,735 S | 8/2006 | Targetti | | D26/63 |
| D538,959 S | 3/2007 | Kosche | | D26/63 |
| D545,988 S * | 7/2007 | Goetz-Schaefer | | D26/74 |
| D564,121 S | 3/2008 | Lin | | D26/64 |
| D566,873 S | 4/2008 | Grundl et al. | | D26/63 |
| D569,544 S | 5/2008 | Aubrey | | D26/138 |
| D576,345 S | 9/2008 | Aubrey | | D26/138 |
| D580,085 S * | 11/2008 | Svensson | | D26/71 |
| 2002/0137374 A1 | 9/2002 | O'Rourke et al. | | 439/121 |
| 2003/0223234 A1 | 12/2003 | Tang | | 362/226 |
| 2007/0268701 A1 | 11/2007 | Devlin | | 362/272 |

OTHER PUBLICATIONS

Office Action, U.S. Patent and Trademark Office, U.S. Appl. No. 29/339,405, mailed on Dec. 9, 2009. 11 sheets.
 Office Action, U.S. Patent and Trademark Office, U.S. Appl. No. 29/339,404, mailed on Dec. 9, 2009. 11 sheets.
 Notice of Allowance, U.S. Patent and Trademark Office, U.S. Appl. No. 29/305,326, mailed on Dec. 22, 2009. 7 sheets.
 Office Action, U.S. Patent and Trademark Office, U.S. Appl. No. 29/305,326, mailed on Sep. 10, 2009. 8 sheets.
 Office Action, U.S. Patent and Trademark Office, U.S. Appl. No. 29/305,326, mailed on Apr. 2, 2009. 4 sheets.

* cited by examiner

FIG. 1

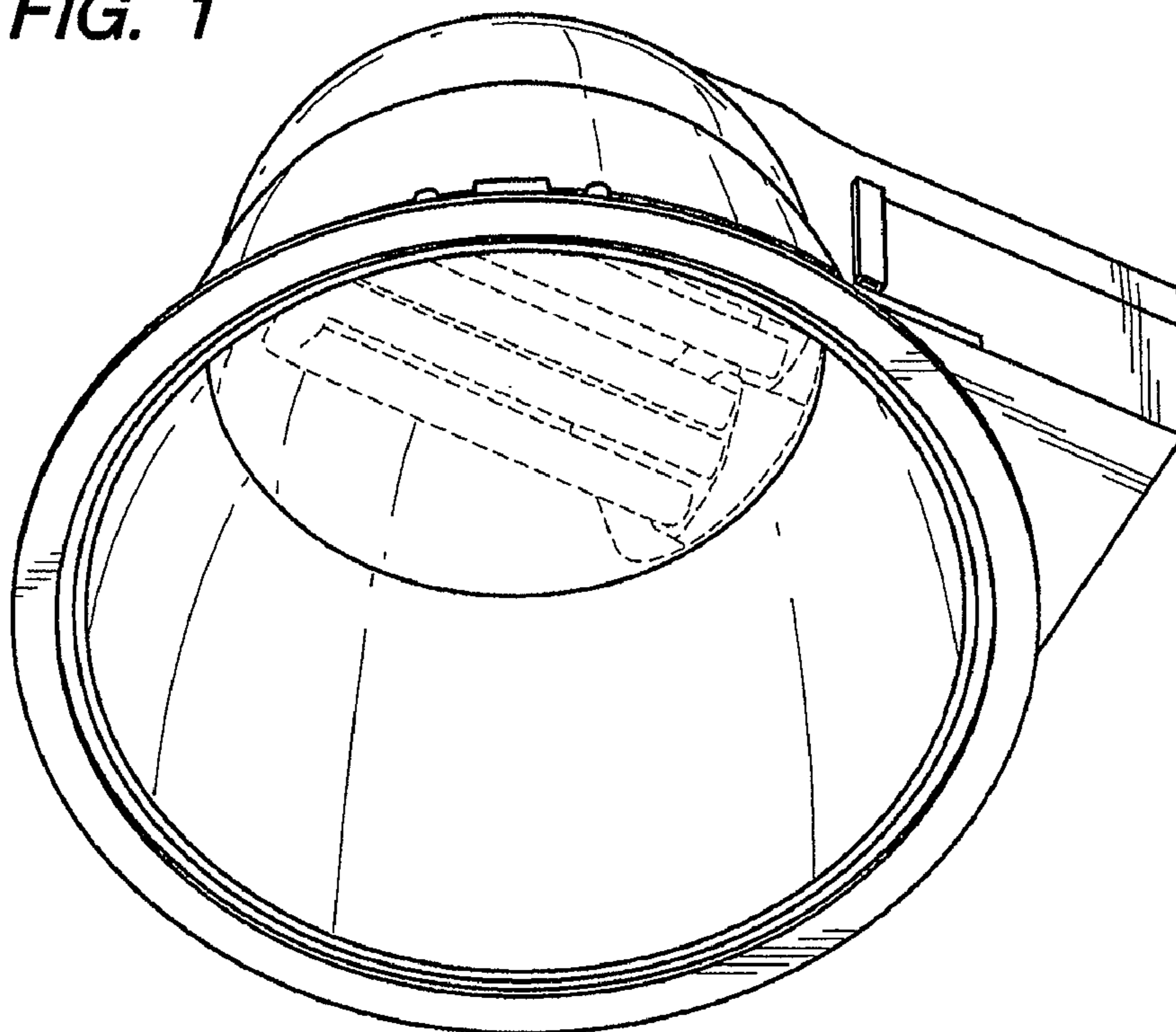


FIG. 2

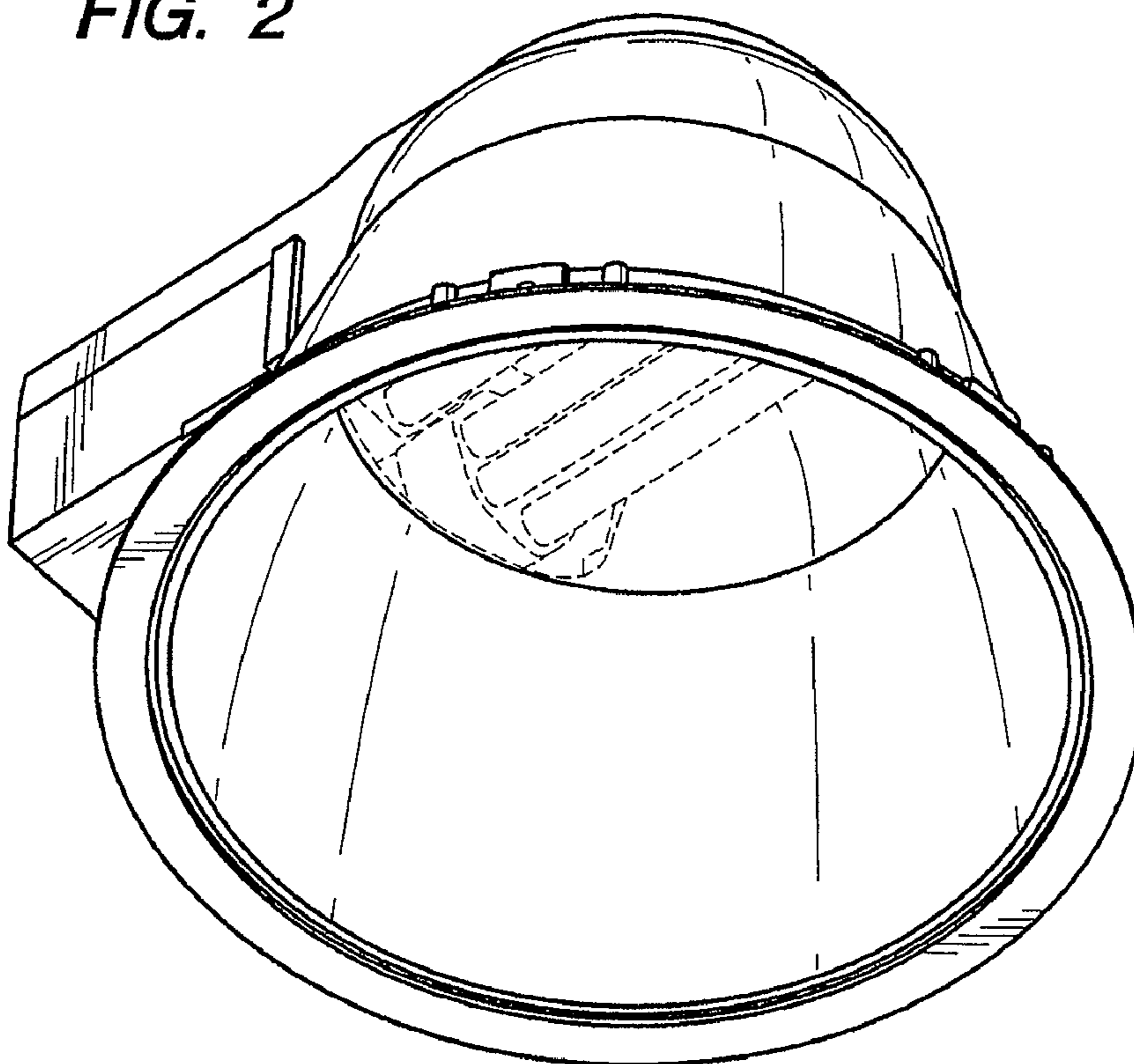


FIG. 3

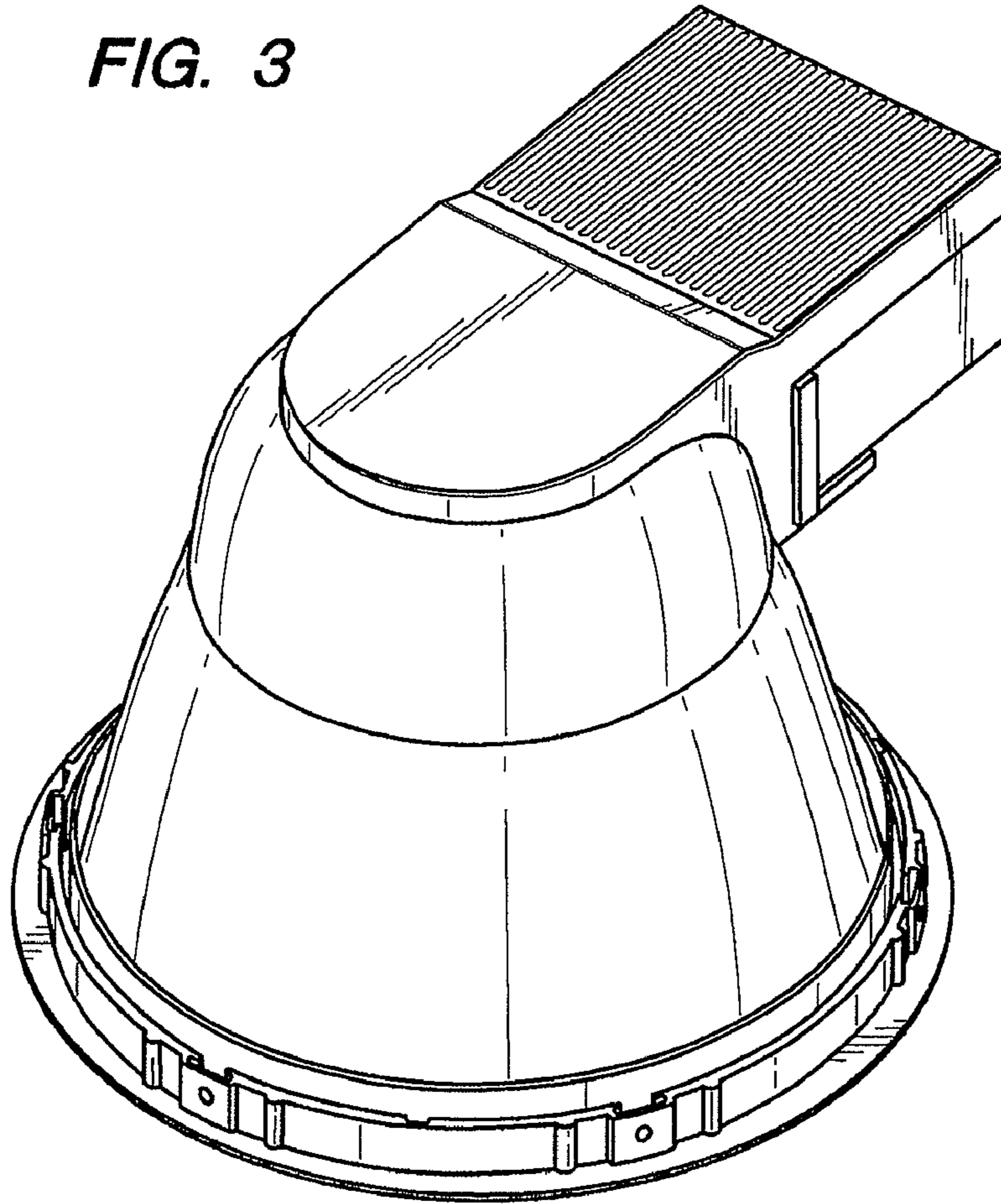


FIG. 4

