



US00D618373S

(12) **United States Design Patent**
Fukasawa

(10) **Patent No.:** **US D618,373 S**
(45) **Date of Patent:** **** Jun. 22, 2010**

(54) **TRACK-TYPE LUMINAIRE**

(75) Inventor: **Naoto Fukasawa**, Tokyo (JP)

(73) Assignee: **Erco Leuchten GmbH**, Ludenscheid (DE)

(**) Term: **14 Years**

(21) Appl. No.: **29/301,106**

(22) Filed: **Feb. 8, 2008**

(30) **Foreign Application Priority Data**

Aug. 13, 2007 (EM) 000774005-007
Aug. 13, 2007 (EM) 000774005-009
Aug. 13, 2007 (EM) 000774005-011

(51) **LOC (9) Cl.** **26-05**

(52) **U.S. Cl.** **D26/63**

(58) **Field of Classification Search** D26/61-66,
D26/24, 43, 44, 45, 50, 51, 56, 60, 67, 87,
D26/92, 93, 103, 113, 138, 141, 140, 145,
D26/142, 107, 108, 118, 106, 110; 362/269,
362/270, 277, 278, 282, 285, 287, 296.09,
362/311.11, 388, 401, 413, 418, 431, 217.06,
362/217.07, 217.15, 217.16, 217.17, 249.07,
362/249.08, 249.1, 135, 138, 139, 142, 143,
362/144, 153, 219, 220, 223

See application file for complete search history.

(56) **References Cited**

U.S. PATENT DOCUMENTS

D263,630 S * 3/1982 Wong D26/41
D296,717 S * 7/1988 Kane et al. D26/63
D324,431 S * 3/1992 Richardson et al. D26/63
D330,944 S * 11/1992 Wereley D26/63
D349,356 S * 8/1994 Layne D26/63

D372,550 S * 8/1996 Stultz D26/63
D417,300 S * 11/1999 Stacy et al. D26/63
6,048,080 A * 4/2000 Belliveau 362/282
7,160,001 B2 * 1/2007 Bartlett 362/285
D544,128 S * 6/2007 Carro D26/74
D552,284 S * 10/2007 Kosche et al. D26/63

* cited by examiner

Primary Examiner—Jennifer Rivard

Assistant Examiner—Angela J Lee

(74) *Attorney, Agent, or Firm*—Andrew Wilford

(57) **CLAIM**

The ornamental design for a track-type luminaire, as shown and described.

DESCRIPTION

FIG. 1 is a front elevational view of the track-type luminaire according to the invention showing the head, its mounting bracket, and its base adapted to fit in an unillustrated track;

FIG. 2 is a left-side elevational view of the track-type luminaire;

FIG. 3 is a rear elevational view of the track-type luminaire;

FIG. 4 is a bottom view of the track-type luminaire;

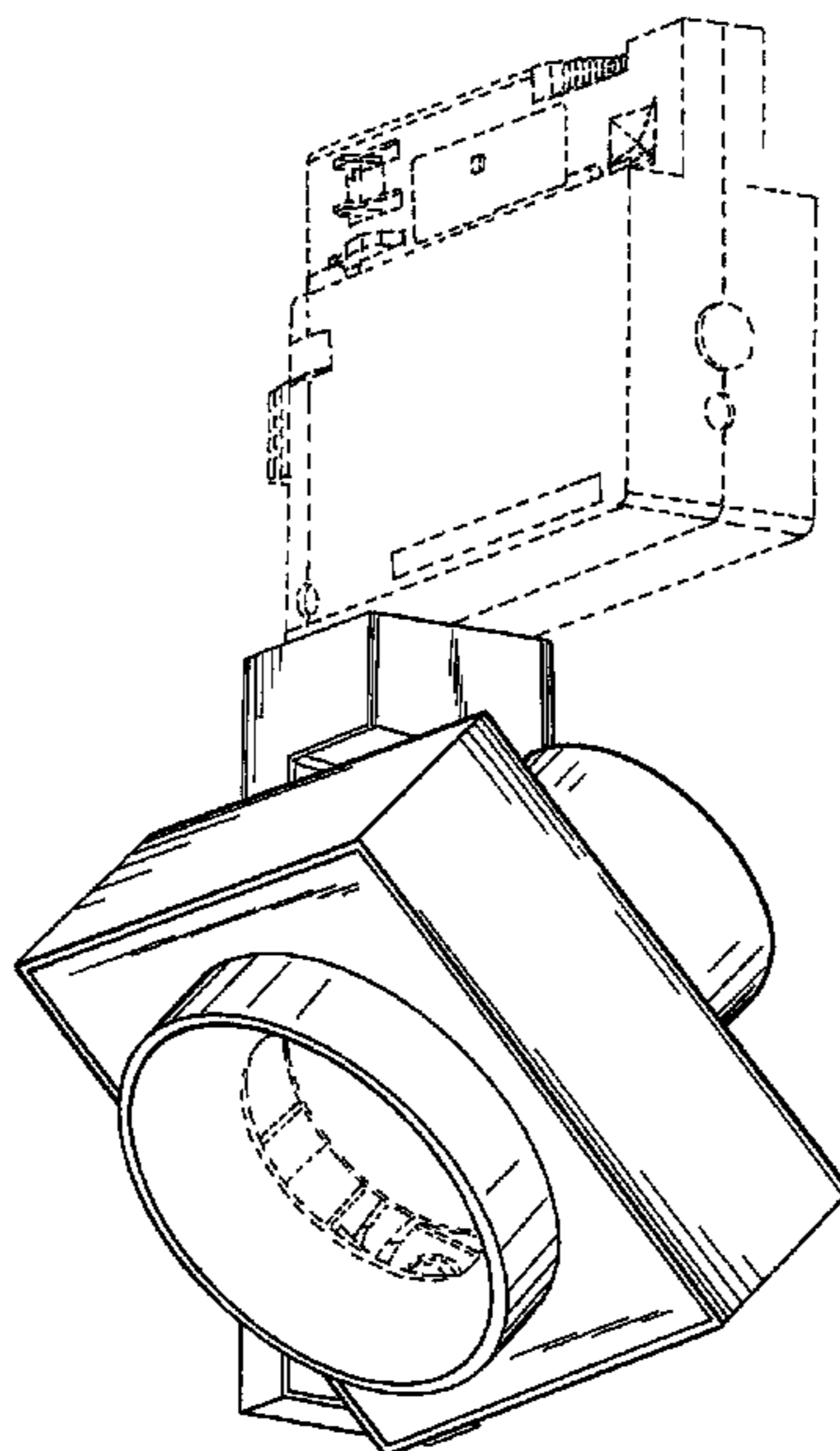
FIG. 5 is a perspective view from above and to the right of the track-type luminaire;

FIG. 6 is a perspective view from below and to the left of the track-type luminaire; and,

FIG. 7 is a perspective view from below and to the right of the track-type luminaire with its head tipped downward.

The broken line showing of unclaimed portions of the track-type luminaire is included for the purpose of illustrating environmental structure and forms no part of the claimed design.

1 Claim, 7 Drawing Sheets



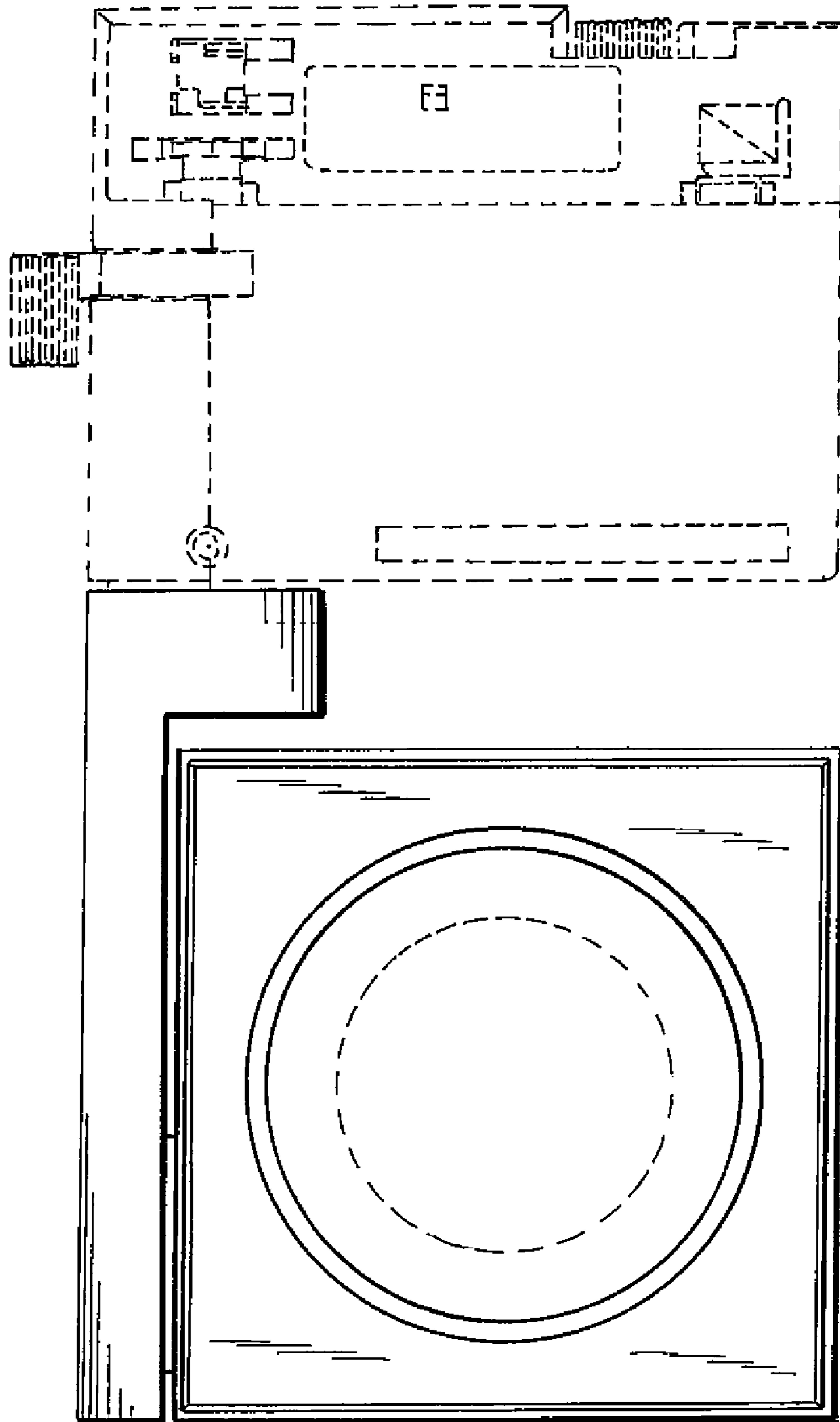


FIG. 1

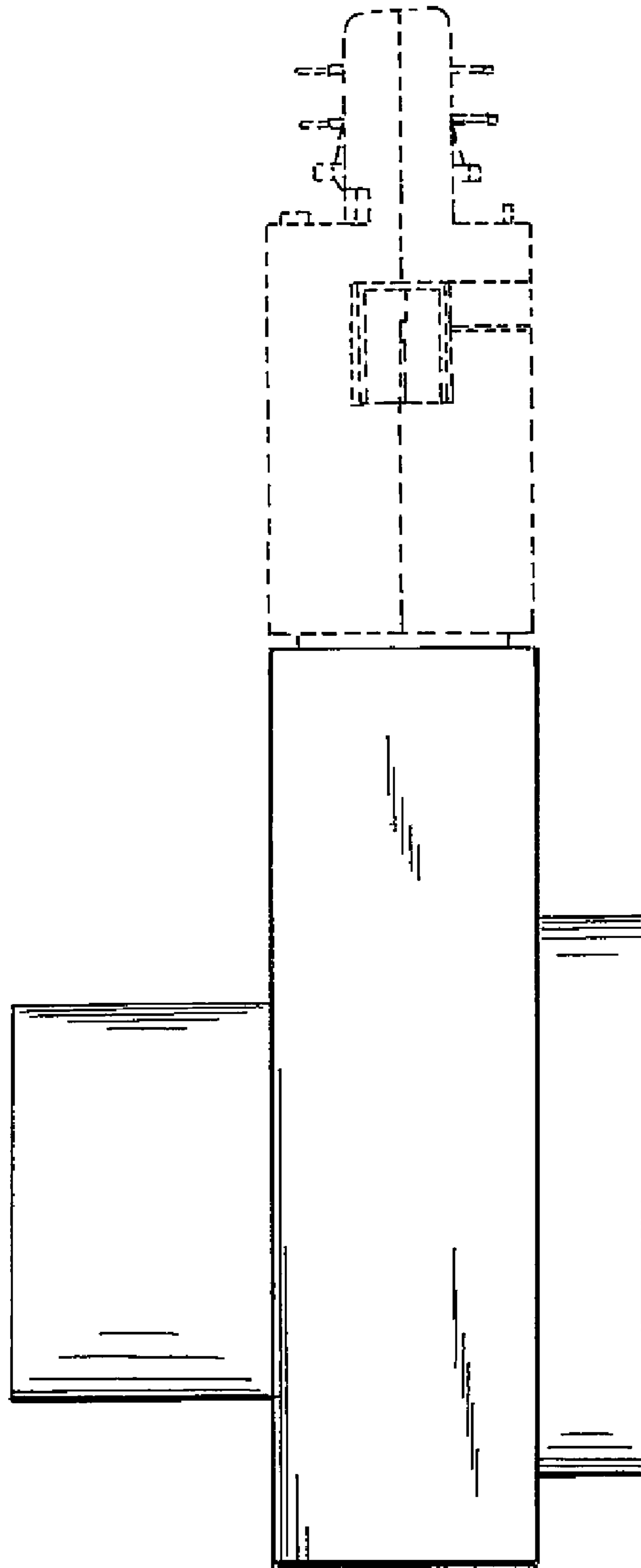


FIG. 2

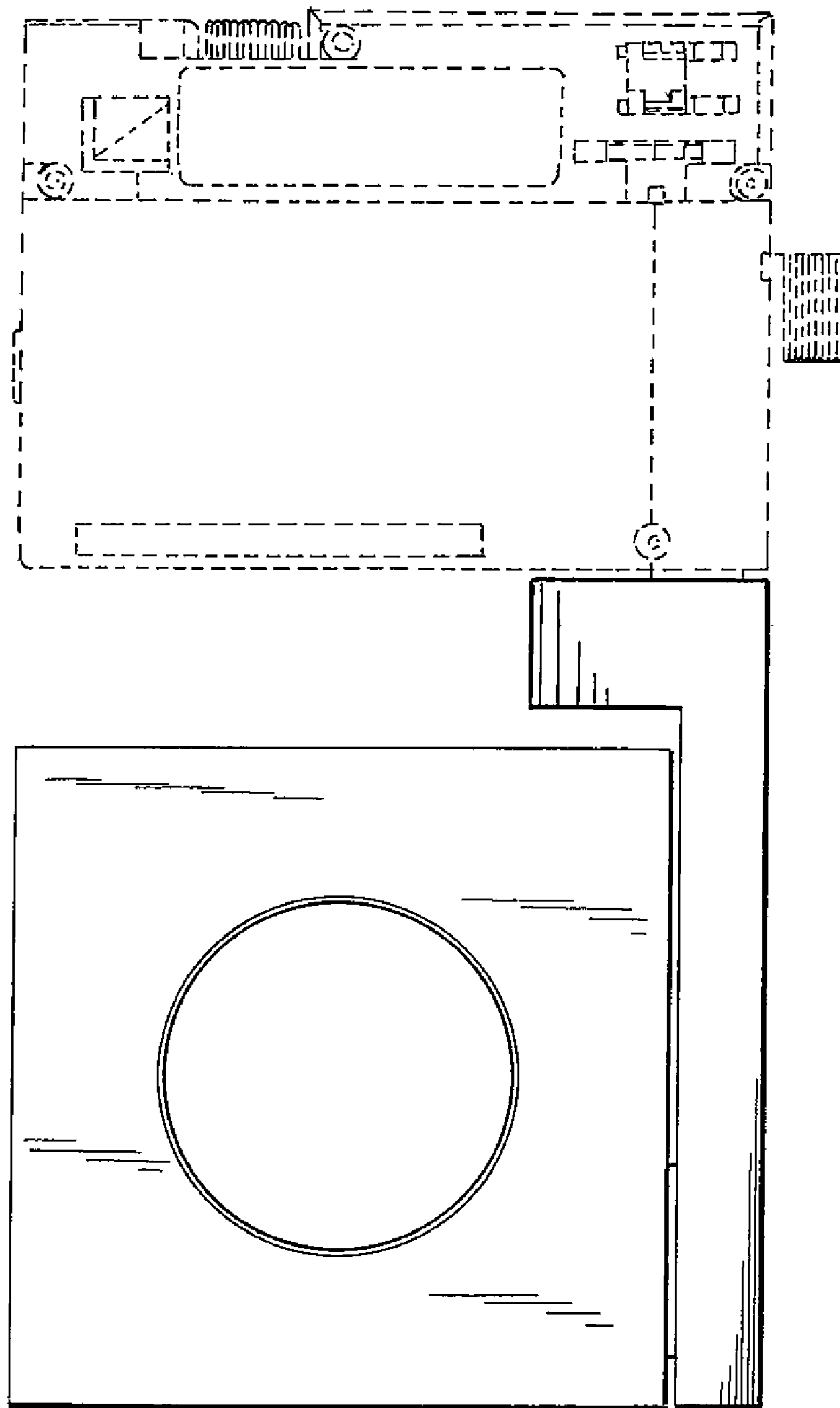


FIG.3

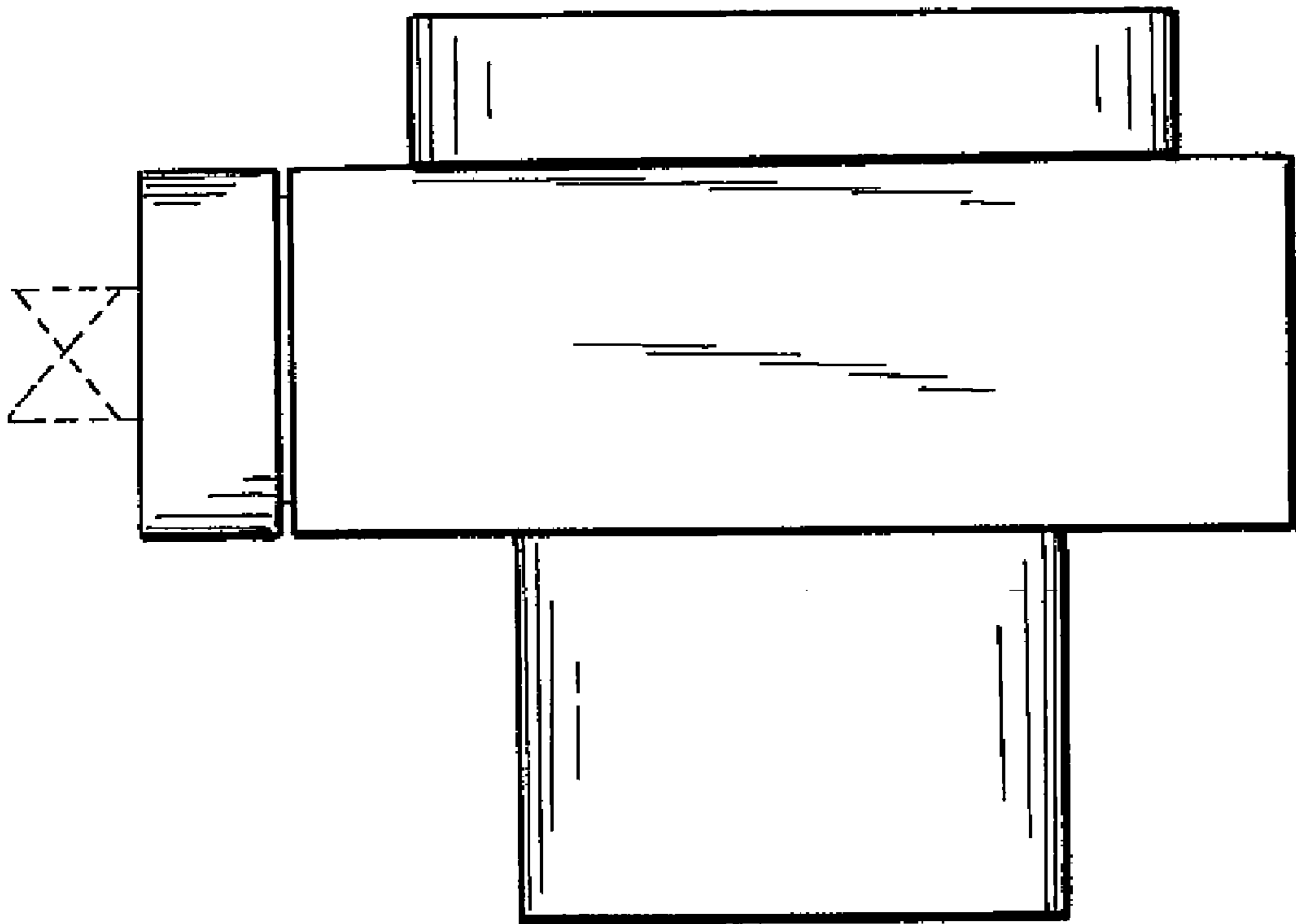


FIG.4

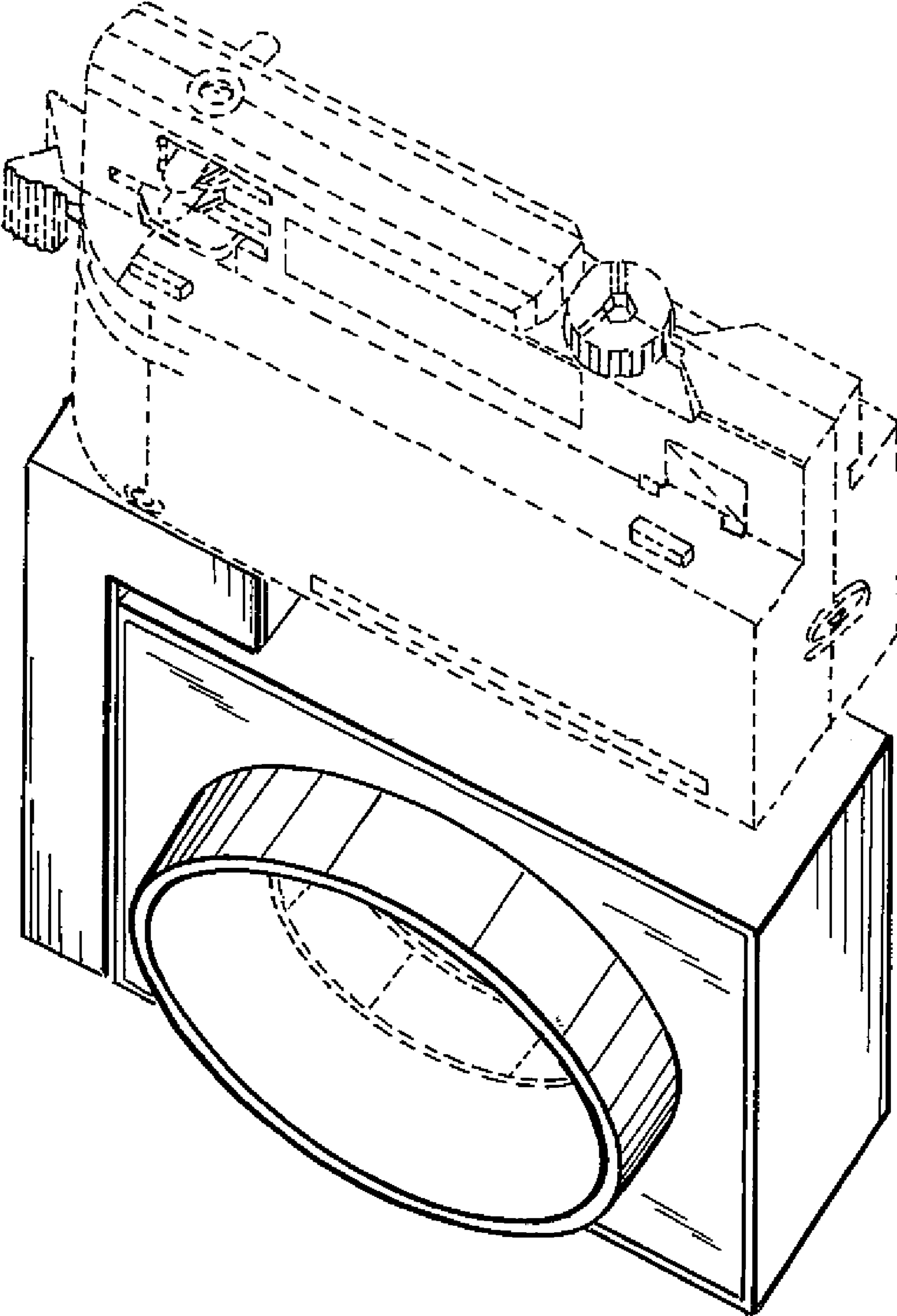


FIG. 5

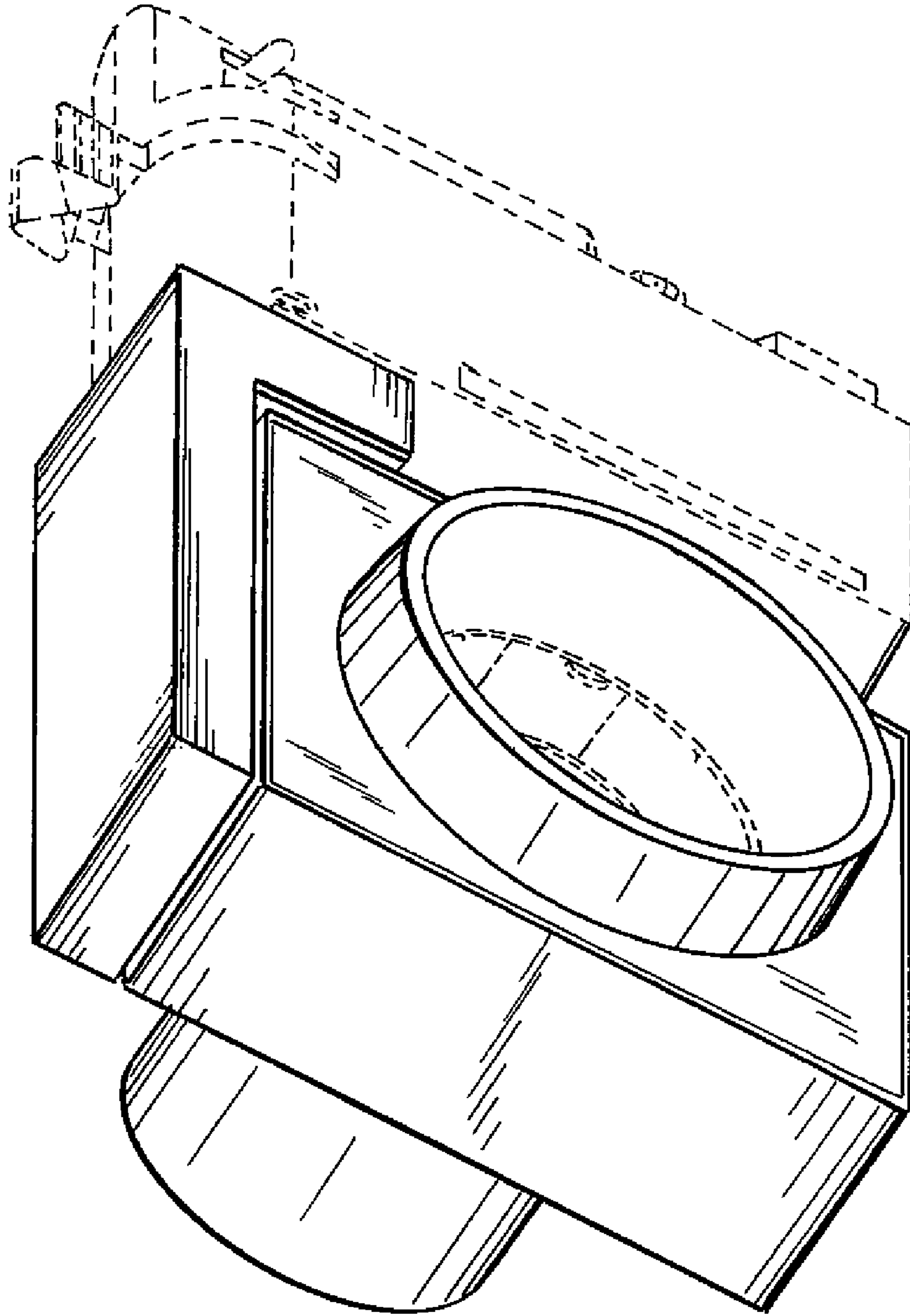


FIG. 6

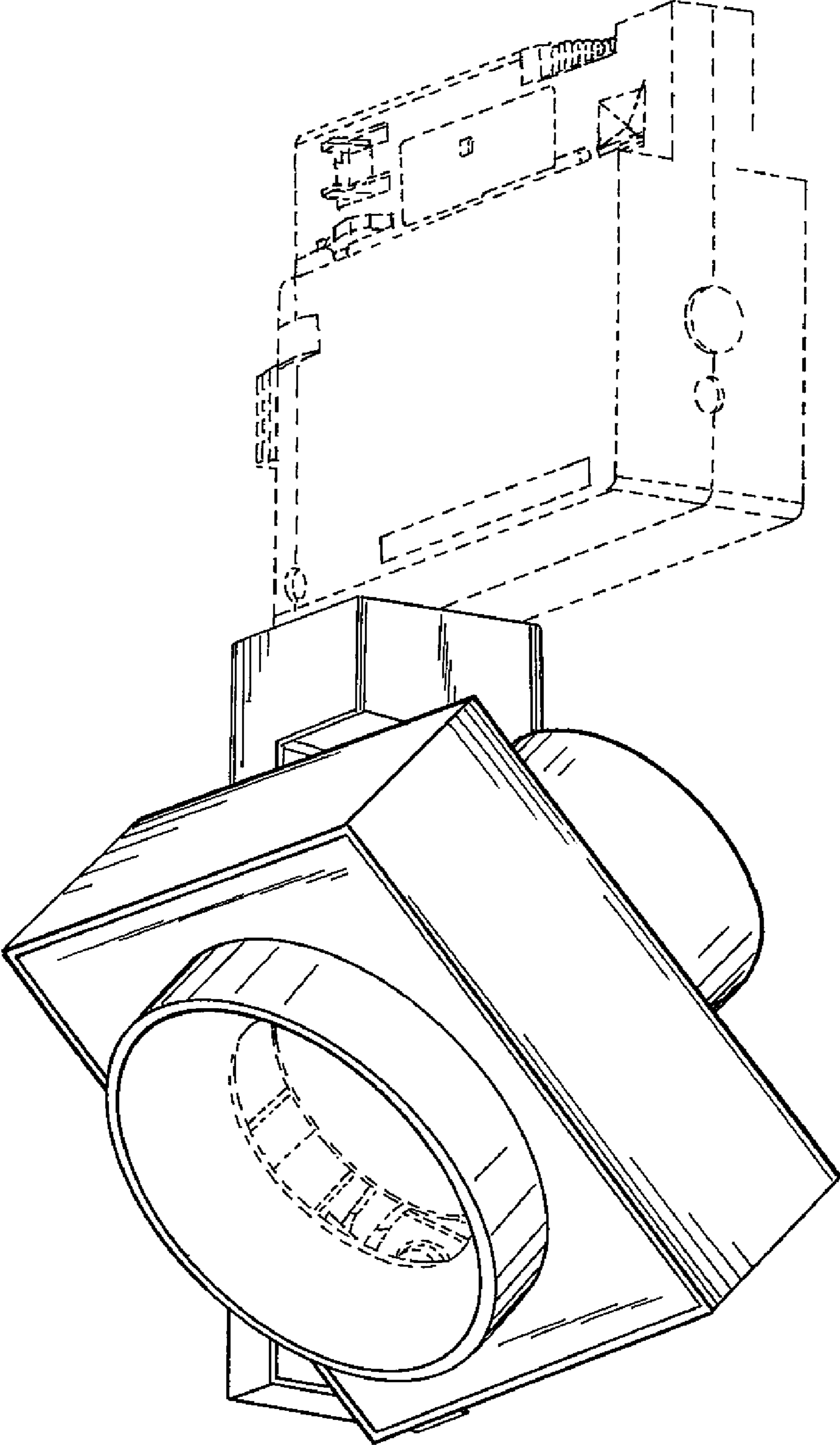


FIG. 7