



US00D618372S

(12) **United States Design Patent**
Hopkins

(10) **Patent No.:** **US D618,372 S**

(45) **Date of Patent:** **** Jun. 22, 2010**

(54) **PORTABLE FISHING LIGHT**

(76) **Inventor:** **Timothy Nevin Hopkins**, 605 Dunaway Rd., Lebanon, TN (US) 37090

(**) **Term:** **14 Years**

(21) **Appl. No.:** **29/336,963**

(22) **Filed:** **May 12, 2009**

(51) **LOC (9) Cl.** **26-05**

(52) **U.S. Cl.** **D26/60**

(58) **Field of Classification Search** D26/43,
D26/44, 60-66, 39, 51; 362/220, 223, 269,
362/360, 396, 397, 427, 430

See application file for complete search history.

(56) **References Cited**

U.S. PATENT DOCUMENTS

- 5,491,621 A * 2/1996 Duty 362/397
- 6,644,829 B1 * 11/2003 Tracy et al. 362/220
- D549,379 S * 8/2007 Sharrah et al. D26/60

* cited by examiner

Primary Examiner—Mitchell I Siegel
(74) Attorney, Agent, or Firm—Eric Karich

(57) **CLAIM**

The ornamental design for a “portable fishing light,” as shown and described.

DESCRIPTION

FIG. 1 is a perspective view of a portable fishing light, showing my new design;

FIG. 2 is a front elevational view thereof;

FIG. 3 is a rear elevational view thereof;

FIG. 4 is a left side elevational view thereof

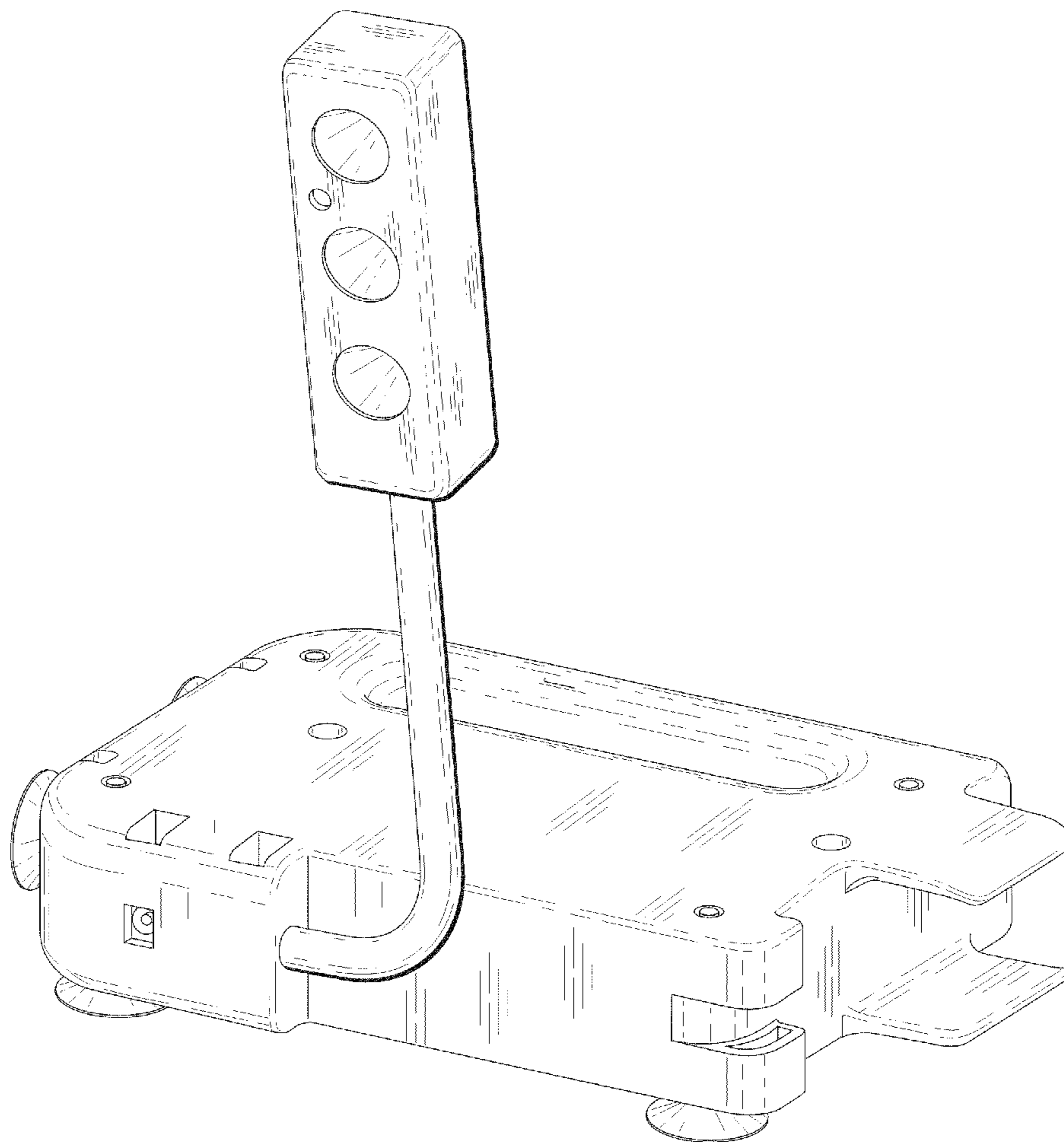
FIG. 5 is a right side elevational view thereof;

FIG. 6 is a top plan view thereof;

FIG. 7 is a bottom plan view thereof; and,

FIG. 8 is a perspective view of the portable fishing light, illustrating the fishing light once a light wand of the fishing light has been extended for use.

1 Claim, 4 Drawing Sheets



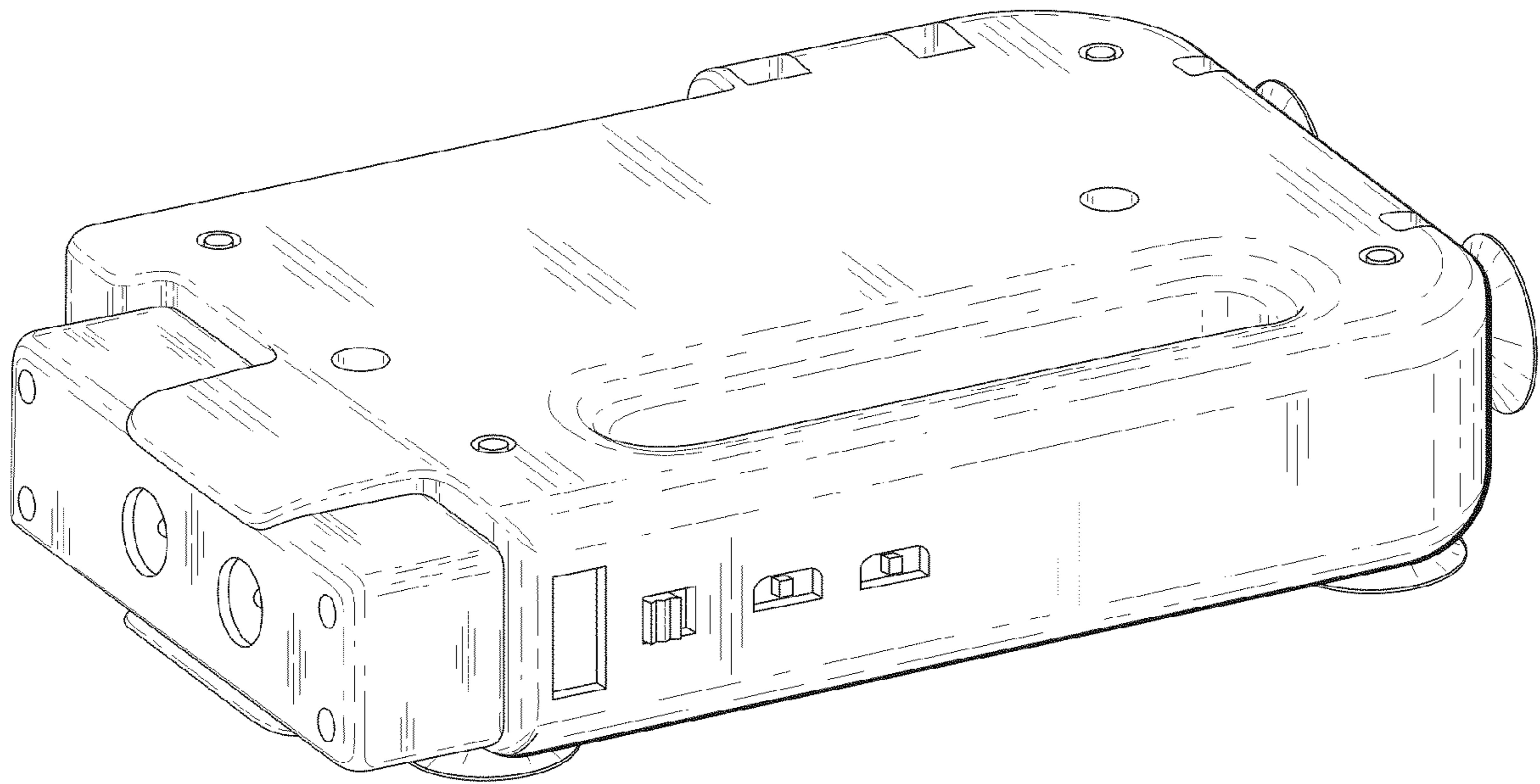


Fig. 1

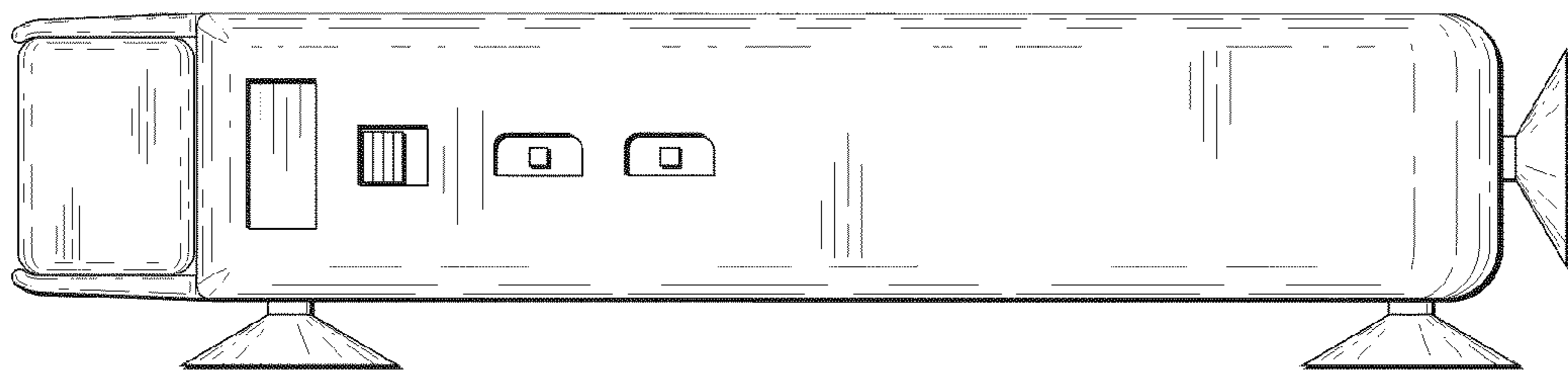


Fig. 2

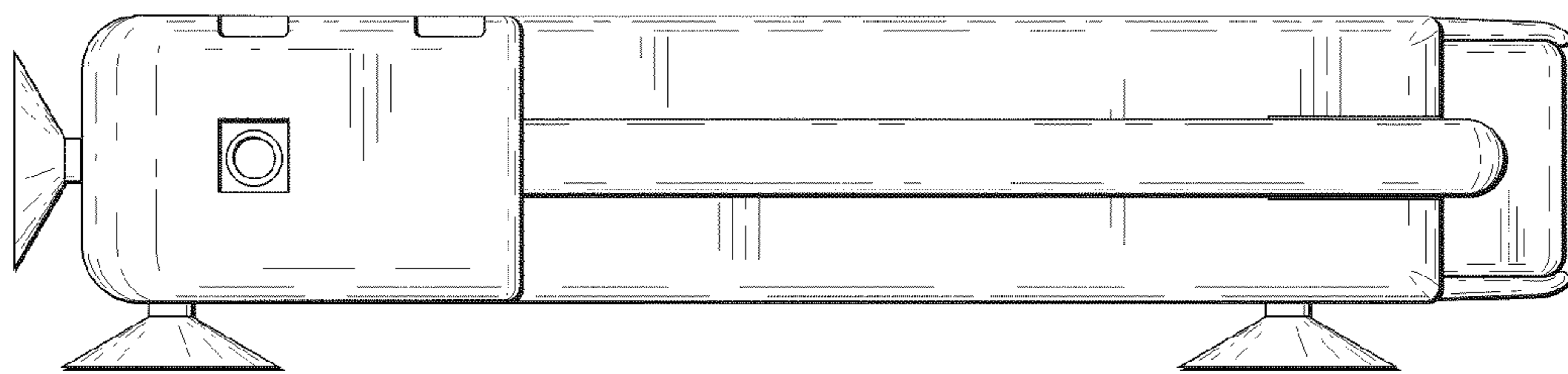


Fig. 3

Fig. 4

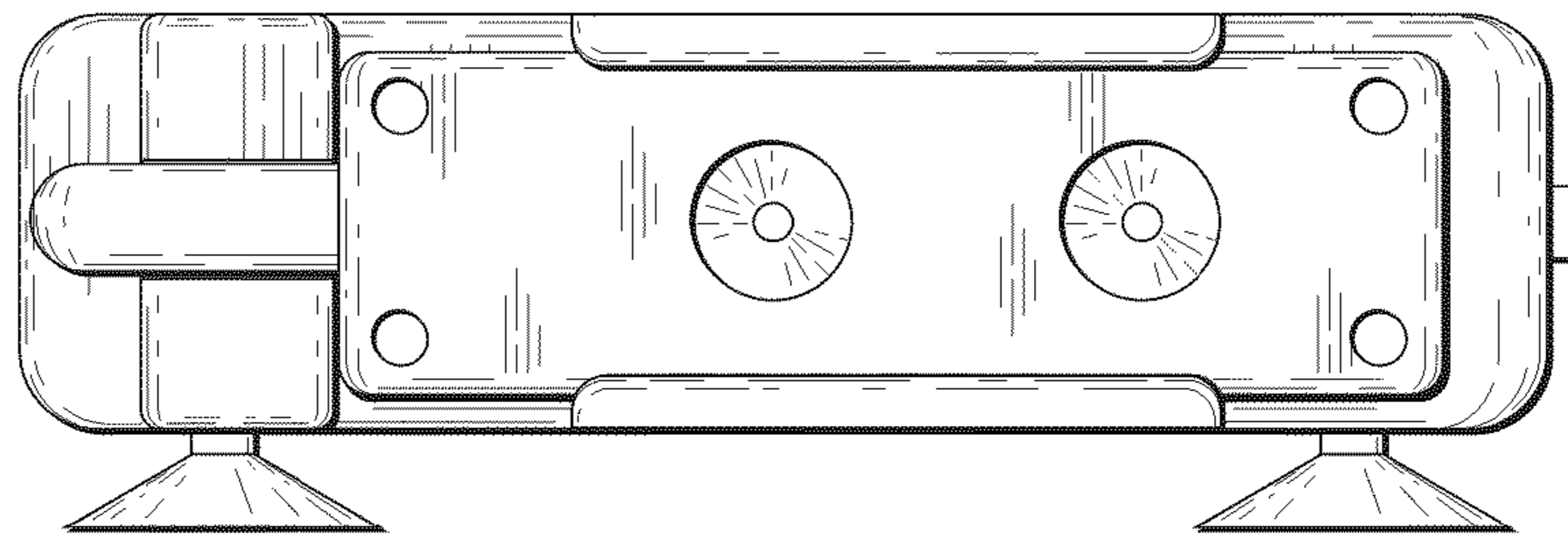


Fig. 5

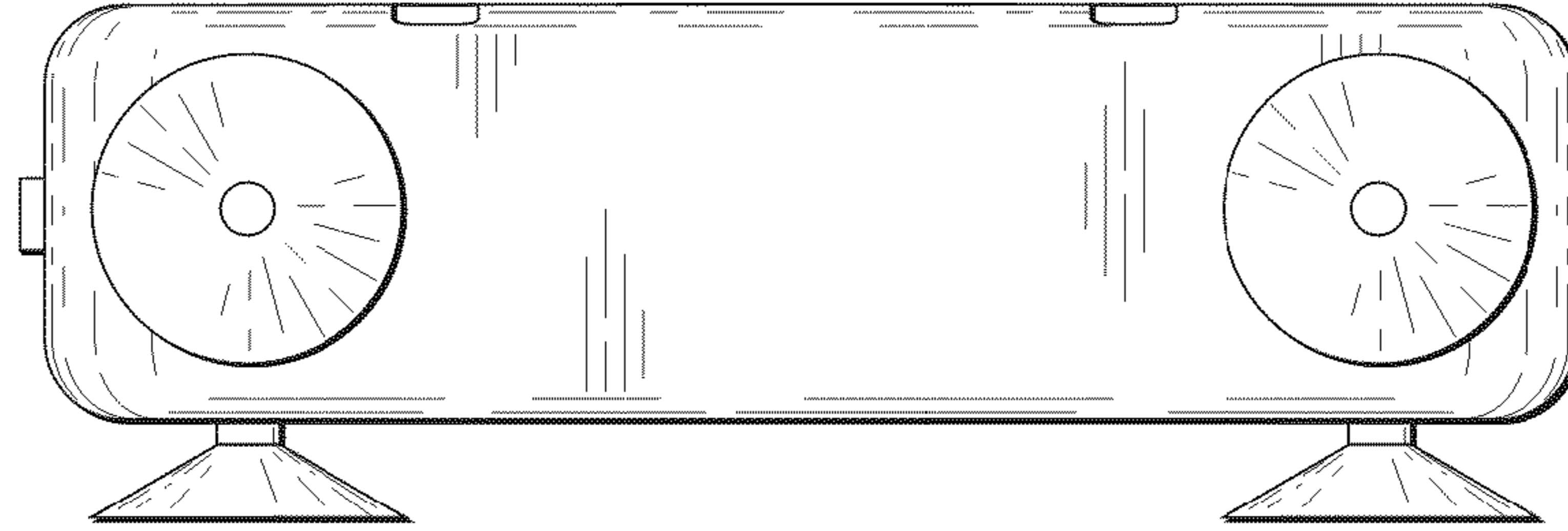
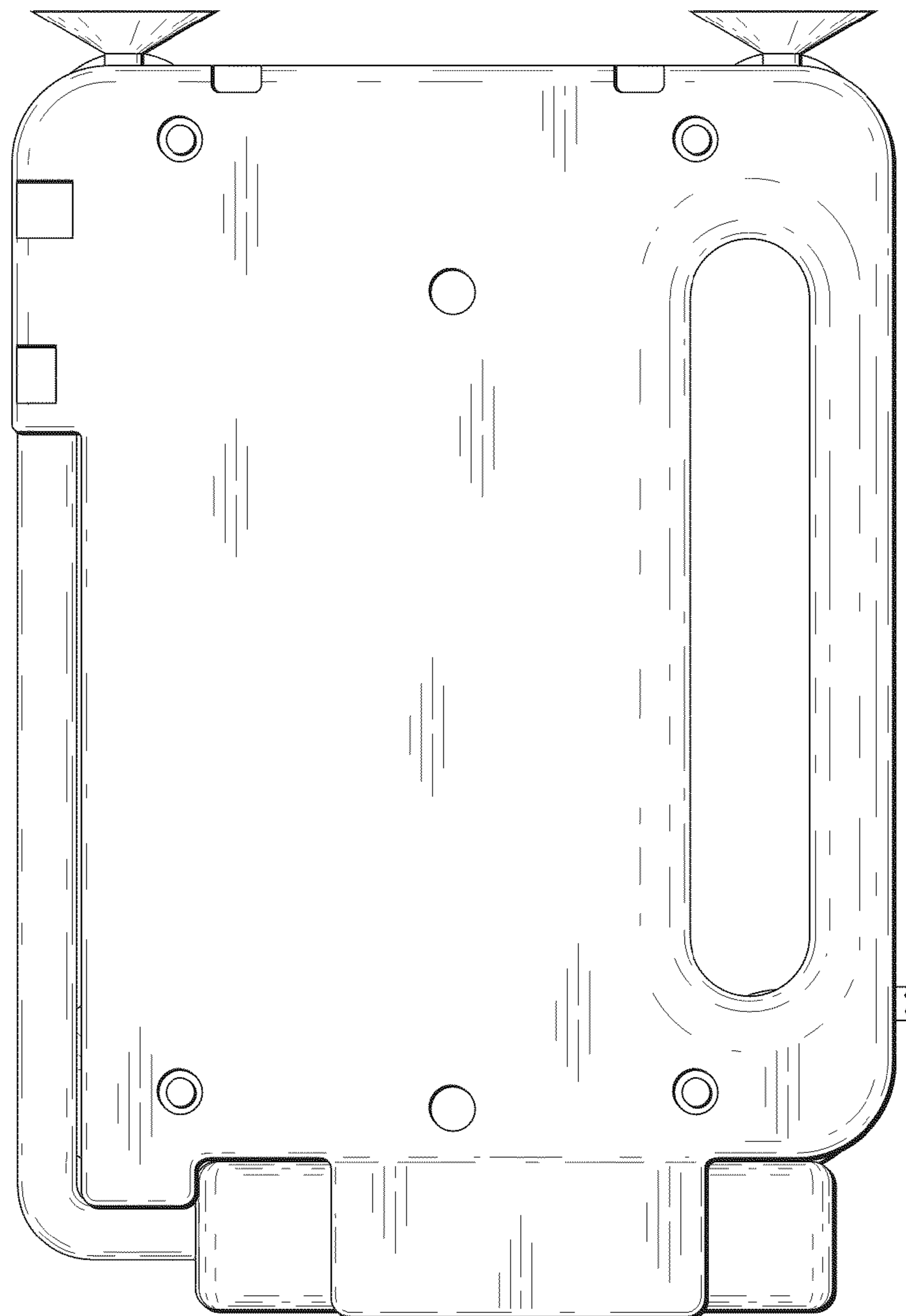


Fig. 6



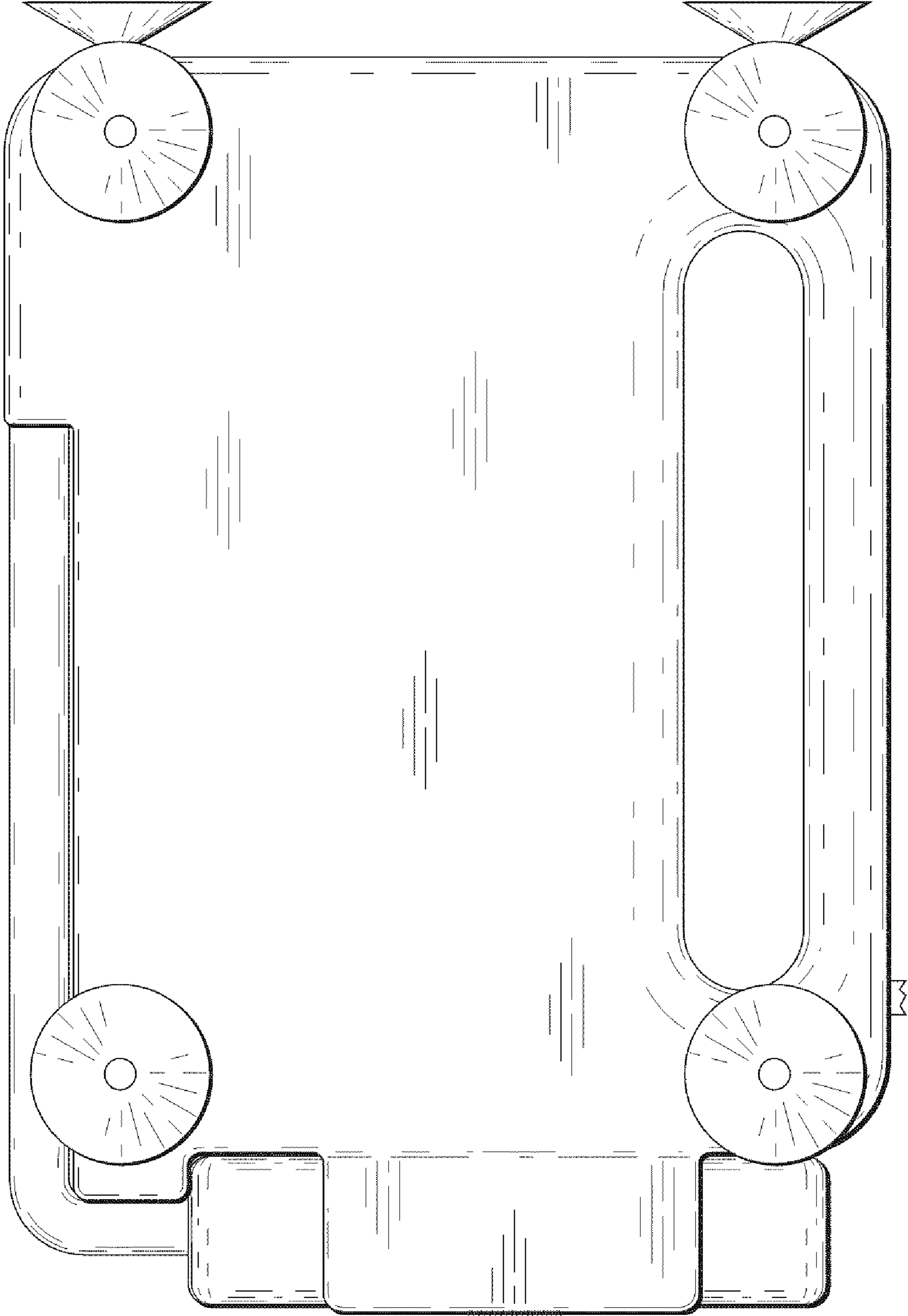


Fig. 7

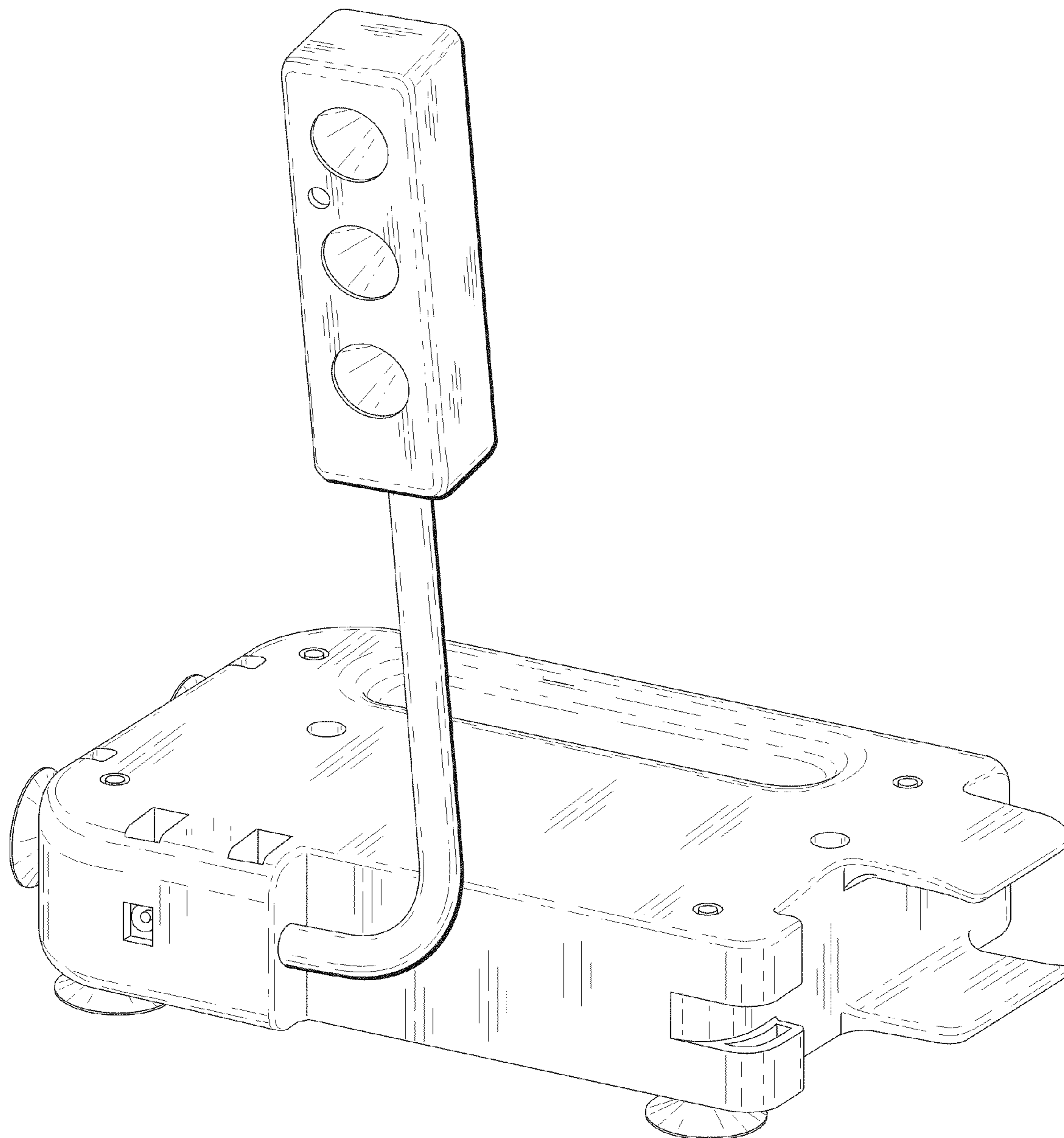


Fig. 8