



US00D618370S

(12) **United States Design Patent**
Lai et al.

(10) **Patent No.:** **US D618,370 S**
(45) **Date of Patent:** **** Jun. 22, 2010**

(54) **LIGHT EMITTING DIODE BULB**

D535,038 S * 1/2007 Egawa et al. D26/2
D593,223 S * 5/2009 Komar D26/2

(75) Inventors: **Chih-Ming Lai**, Miao-Li Hsien (TW);
Ming-Young Shiao, Miao-Li Hsien
(TW)

* cited by examiner

Primary Examiner—Marcus A Jackson

(74) *Attorney, Agent, or Firm*—Raymond J. Chew

(73) Assignee: **Foxsemicon Integrated Technology, Inc.**, Chu-Nan, Miao-Li Hsien (TW)

(57) **CLAIM**

(**) Term: **14 Years**

The ornamental design for a light emitting diode bulb, as shown.

(21) Appl. No.: **29/353,027**

(22) Filed: **Dec. 30, 2009**

(30) **Foreign Application Priority Data**

Dec. 29, 2009 (CN) 200930331798

(51) **LOC (9) Cl.** **26-04**

(52) **U.S. Cl.** **D26/2**

(58) **Field of Classification Search** D26/1-4;
313/313, 315, 316, 317, 318, 493; 315/52,
315/53, 56, 57, 58

See application file for complete search history.

(56) **References Cited**

U.S. PATENT DOCUMENTS

D499,820 S * 12/2004 Foo D26/2

D500,872 S * 1/2005 Foo D26/2

DESCRIPTION

FIG. 1 is a perspective view of a light emitting diode bulb showing our new design.

FIG. 2 is a front elevational view thereof.

FIG. 3 is a rear elevational view thereof.

FIG. 4 is a left-side, elevational view thereof.

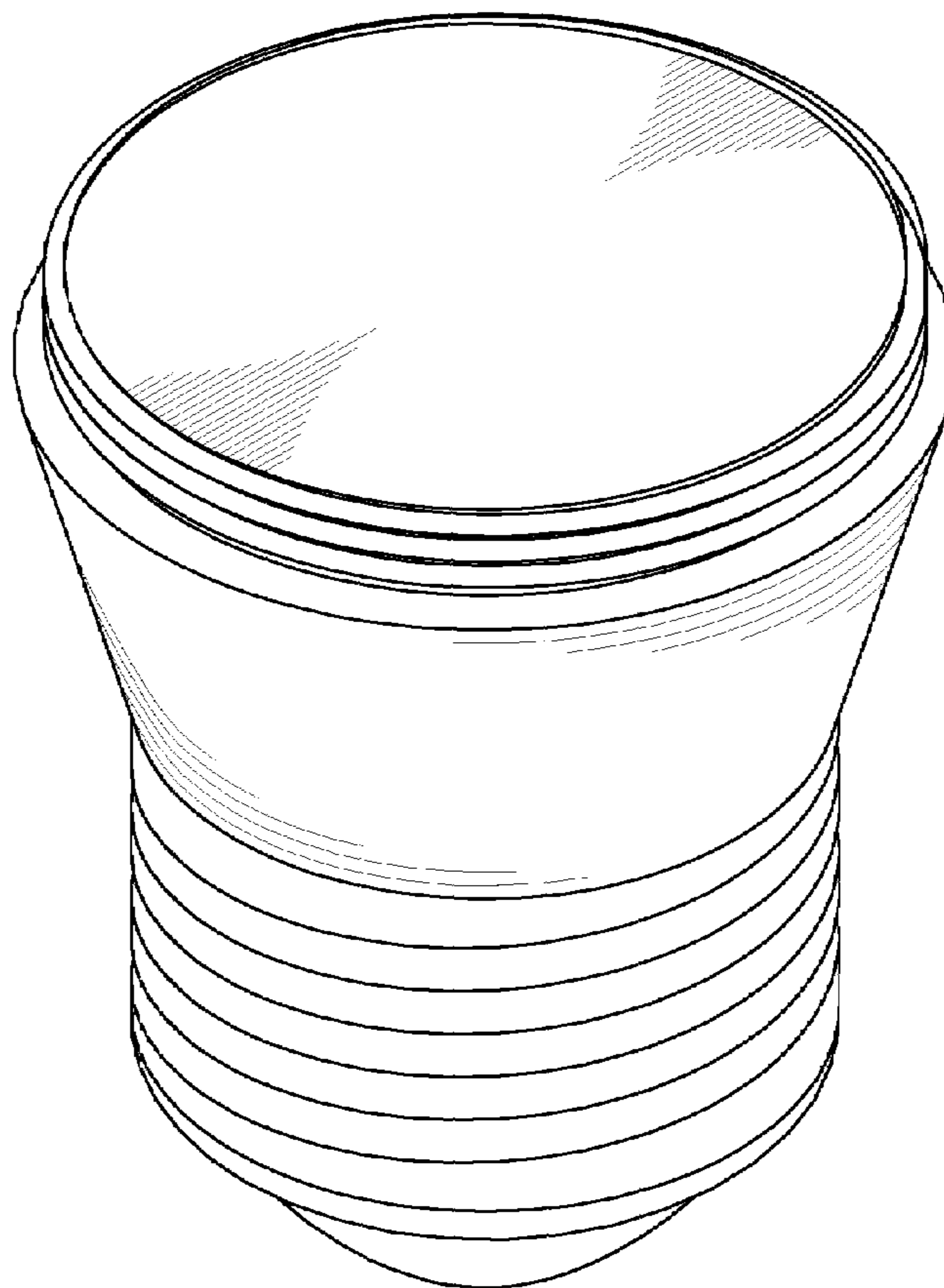
FIG. 5 is a right-side, elevational view thereof.

FIG. 6 is a top plan view thereof.

FIG. 7 is a bottom plan view thereof; and,

FIG. 8 is a perspective view of the light emitting diode bulb with a lamp shade and light emitting diodes which are shown in broken lines and are for illustrative purposes only and form no part of the design claimed.

1 Claim, 8 Drawing Sheets



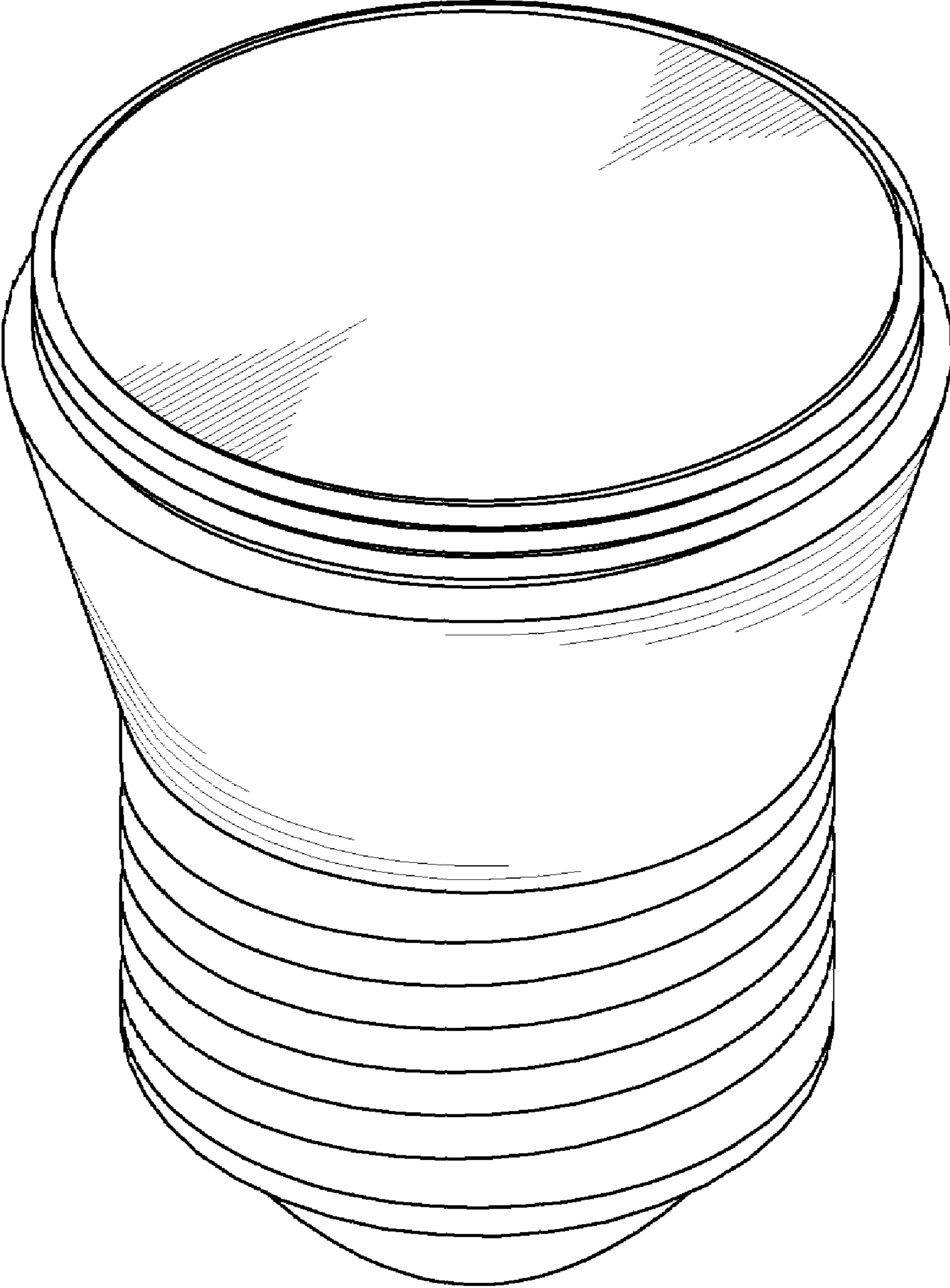


FIG. 1

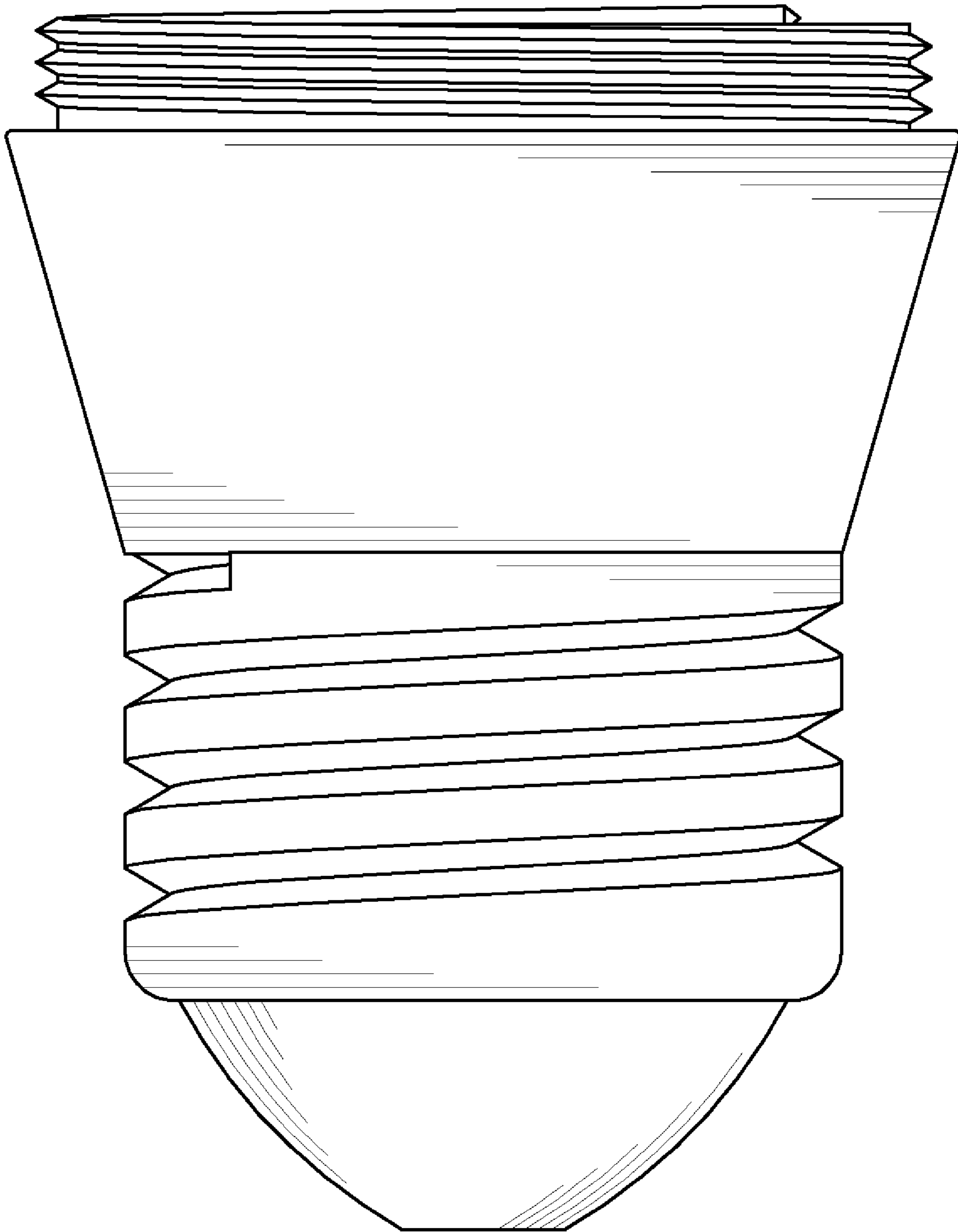


FIG. 2

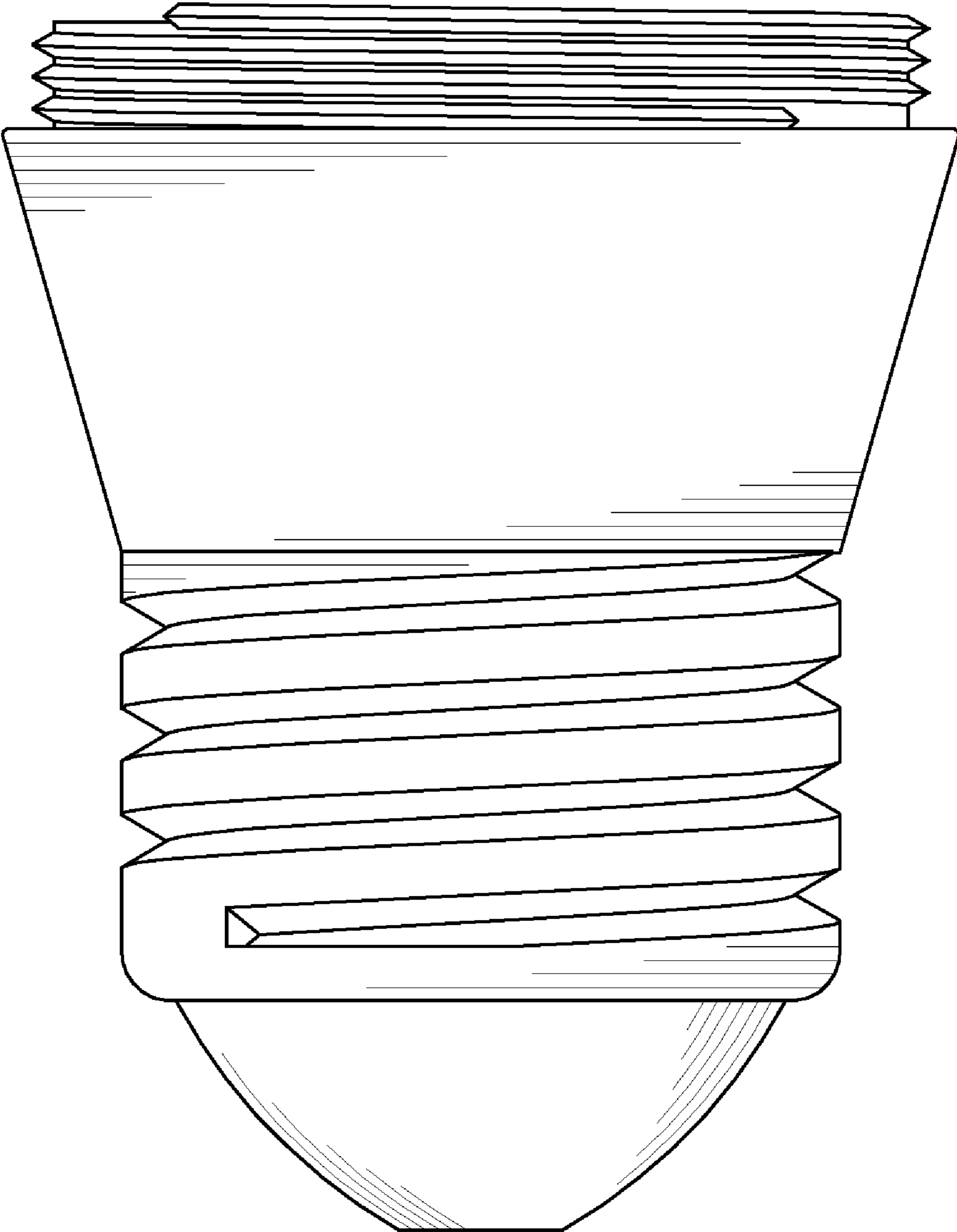


FIG. 3

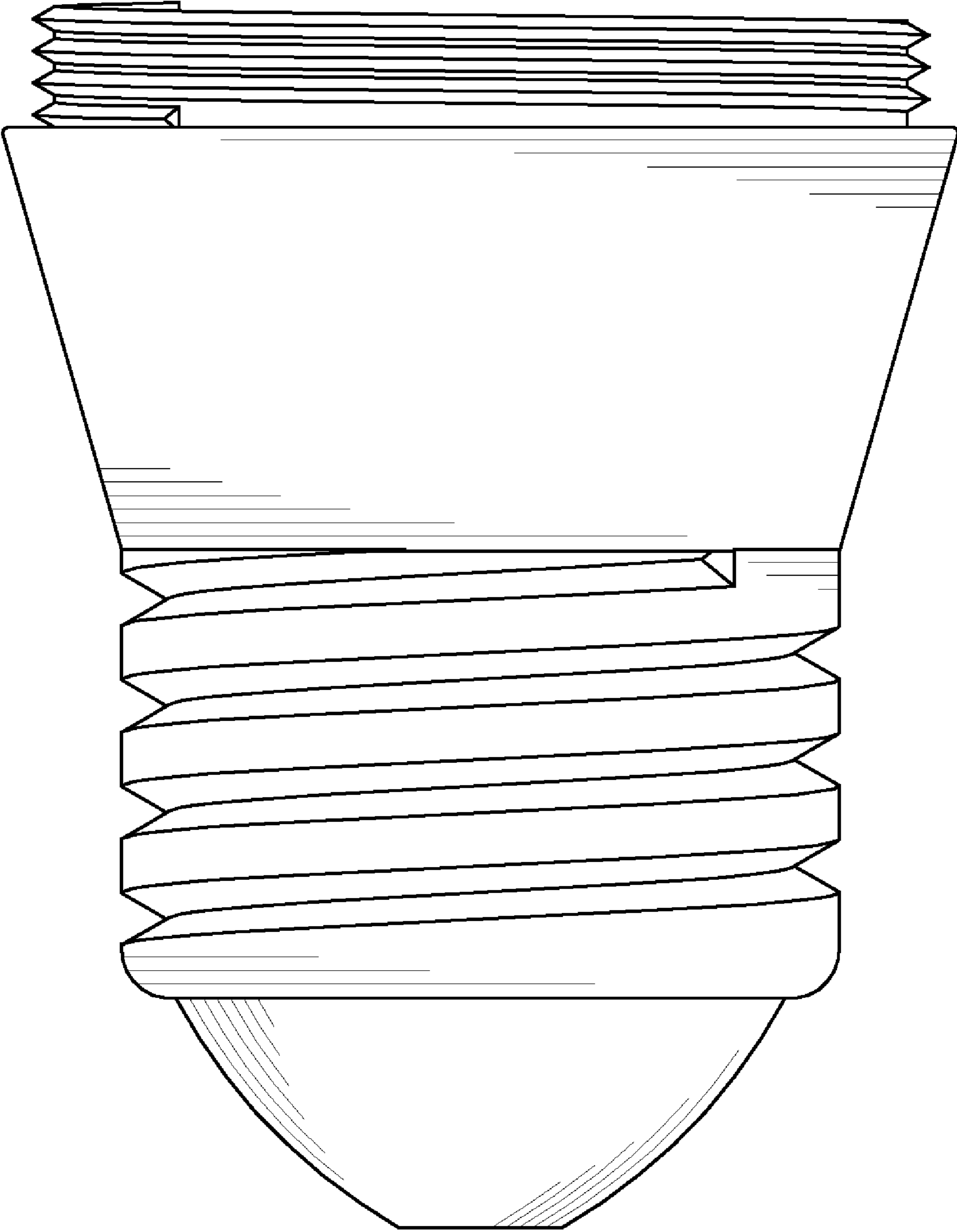


FIG. 4

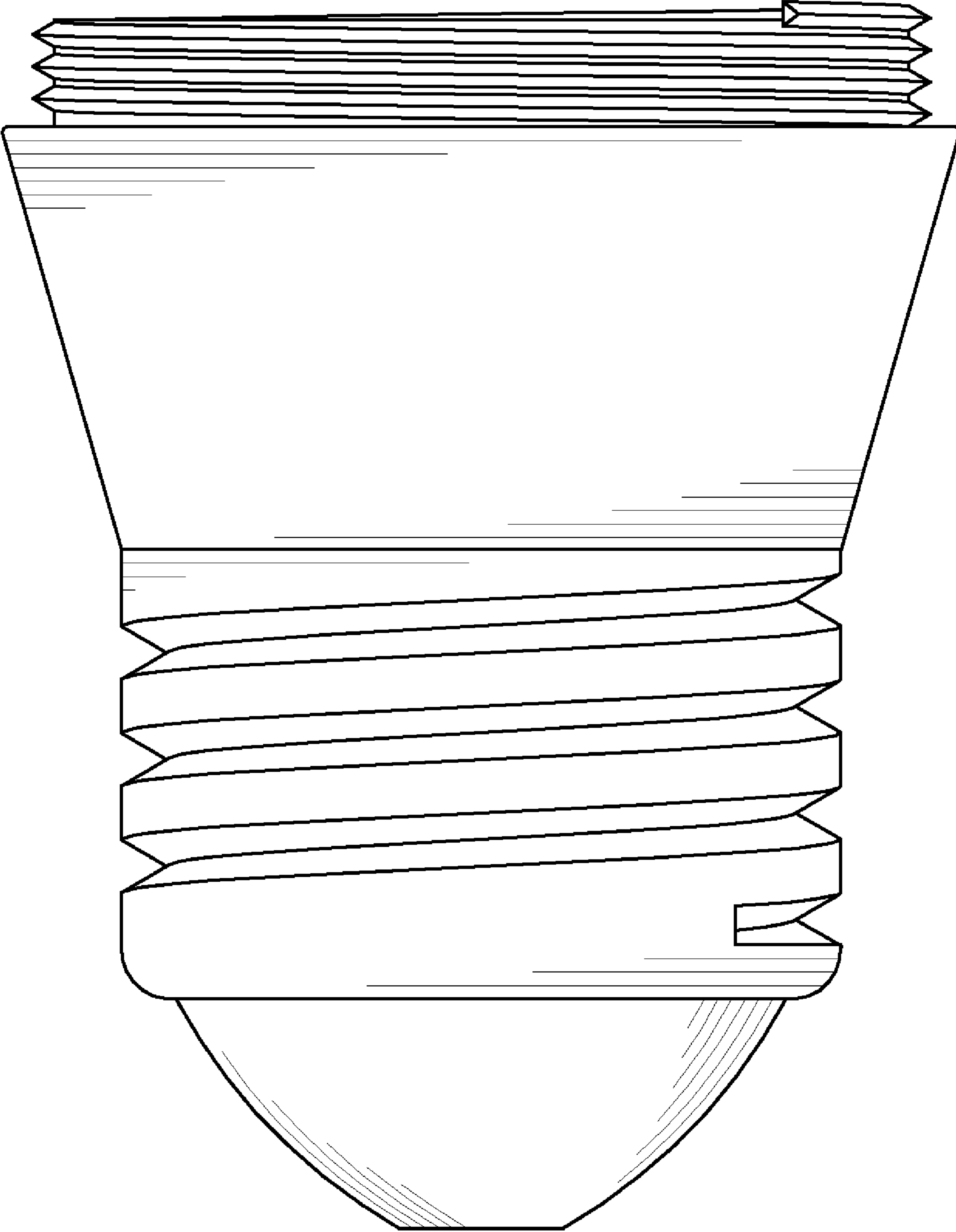


FIG. 5

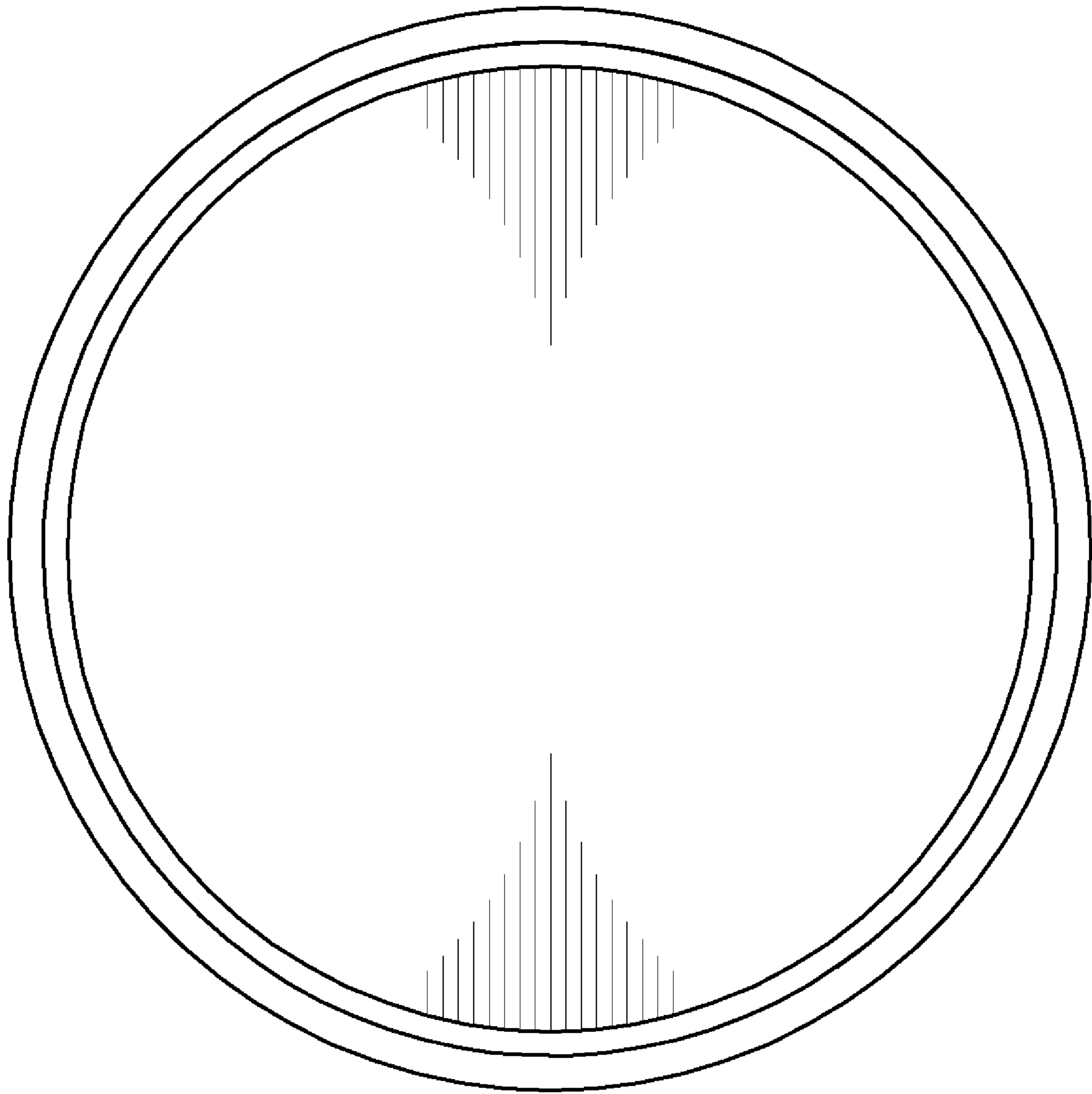


FIG. 6

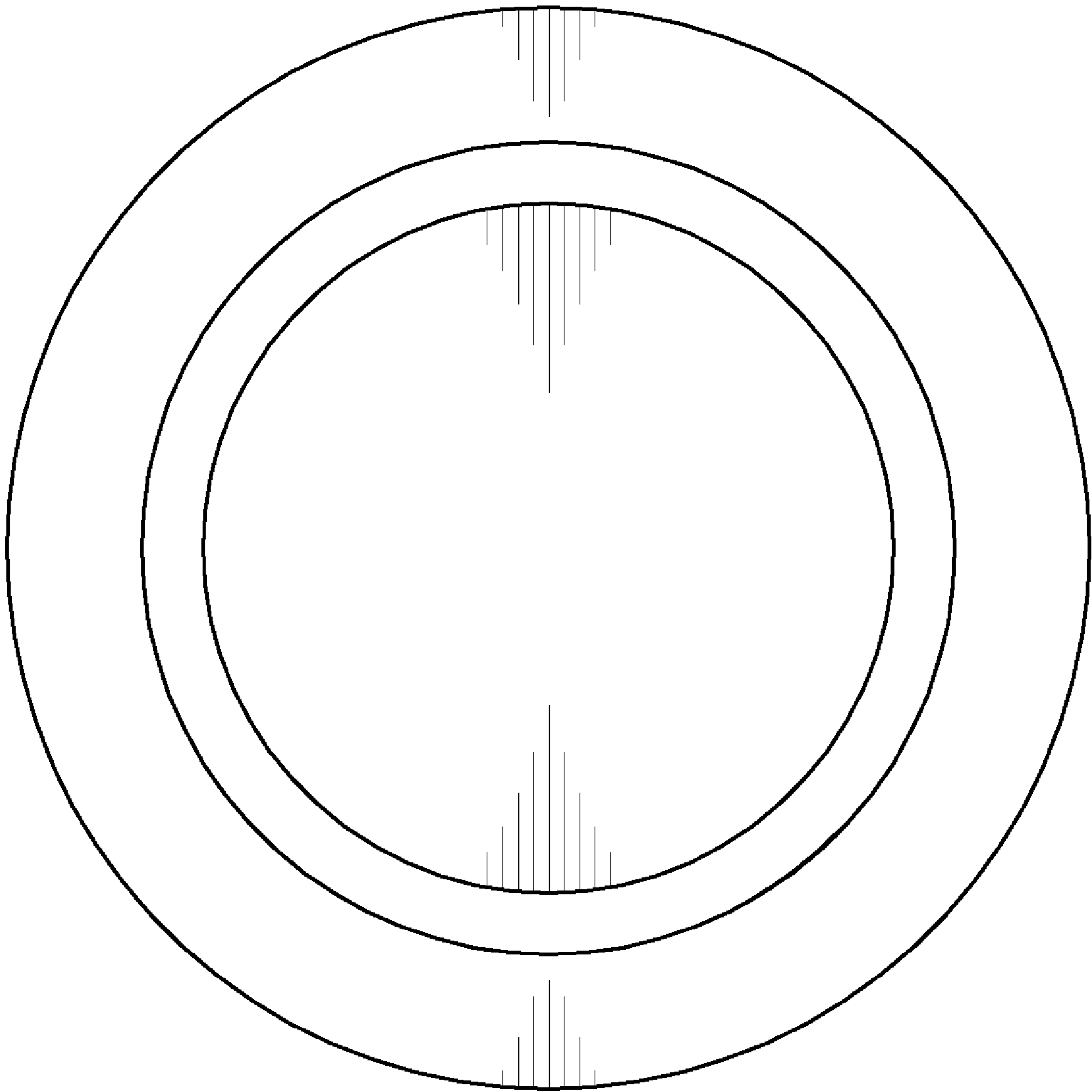


FIG. 7

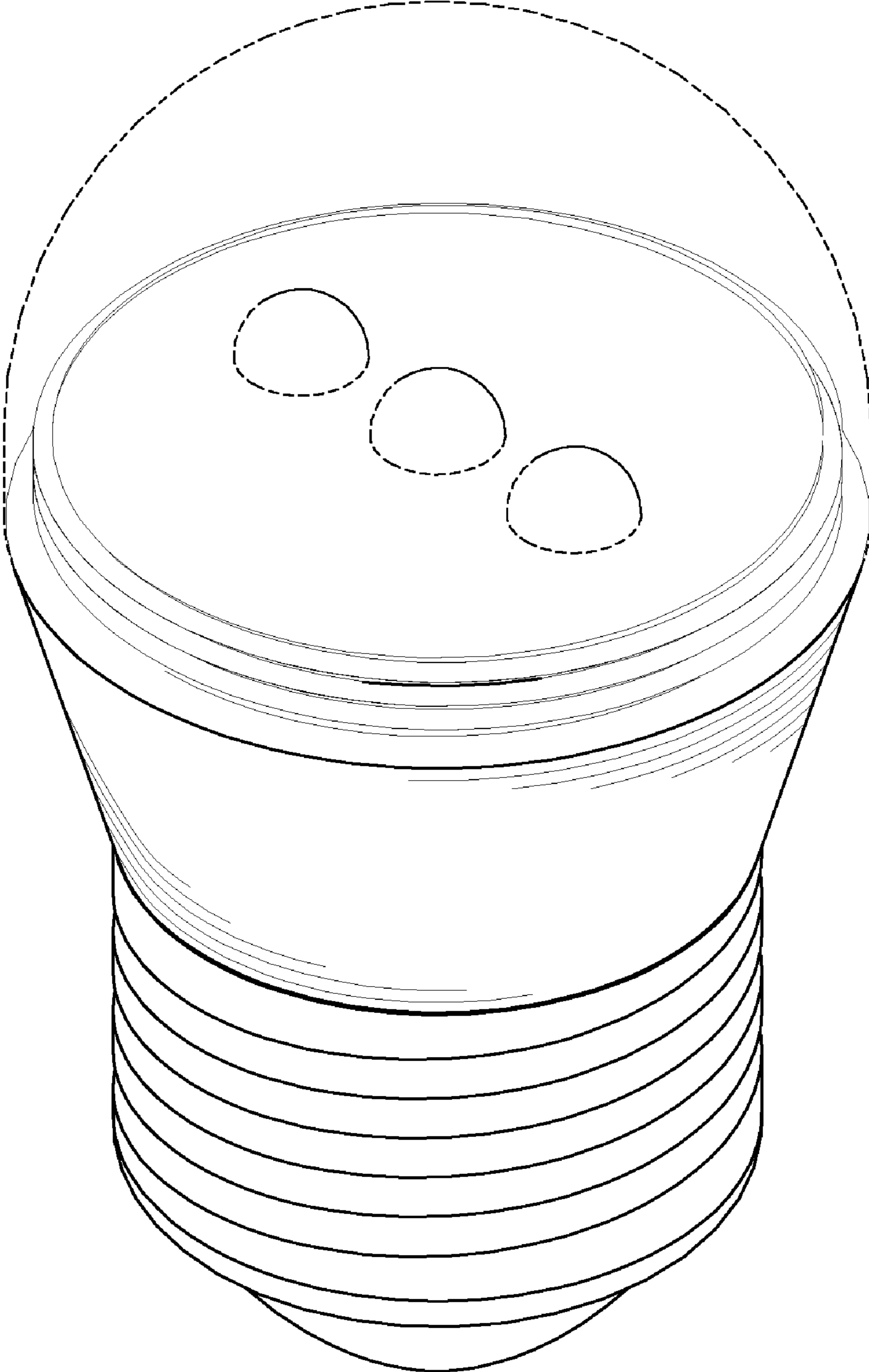


FIG. 8