



US00D618369S

(12) **United States Design Patent**
Lee et al.

(10) **Patent No.:** **US D618,369 S**
(45) **Date of Patent:** **** Jun. 22, 2010**

(54) **LED LAMP**

D601,275 S * 9/2009 Ho et al. D26/2

(75) Inventors: **Jiann-Hung Lee**, Taipei County (TW);
Hsien-Chang Wu, Taipei County (TW)

* cited by examiner

(73) Assignee: **Cal-Comp Electronics & Communications Company Limited**,
Taipei County (TW)

Primary Examiner—Marcus A Jackson
(74) *Attorney, Agent, or Firm*—Rosenberg, Klein & Lee

(**) Term: **14 Years**

(57) **CLAIM**

The ornamental design for a “LED lamp, ” as shown and described.

(21) Appl. No.: **29/352,174**

DESCRIPTION

(22) Filed: **Dec. 17, 2009**

FIG. 1 is a perspective view of a “LED lamp” showing our new design;

(51) **LOC (9) Cl.** **26-04**

(52) **U.S. Cl.** **D26/2**

FIG. 2 is a front view thereof;

(58) **Field of Classification Search** D26/1–4;

FIG. 3 is a rear view thereof;

313/313, 315, 316, 317, 318, 493; 315/52,

FIG. 4 is a left side view thereof;

315/53, 56, 57, 58

FIG. 5 is a right side view thereof;

See application file for complete search history.

FIG. 6 is a top view thereof;

(56) **References Cited**

FIG. 7 is a bottom view thereof; and,

U.S. PATENT DOCUMENTS

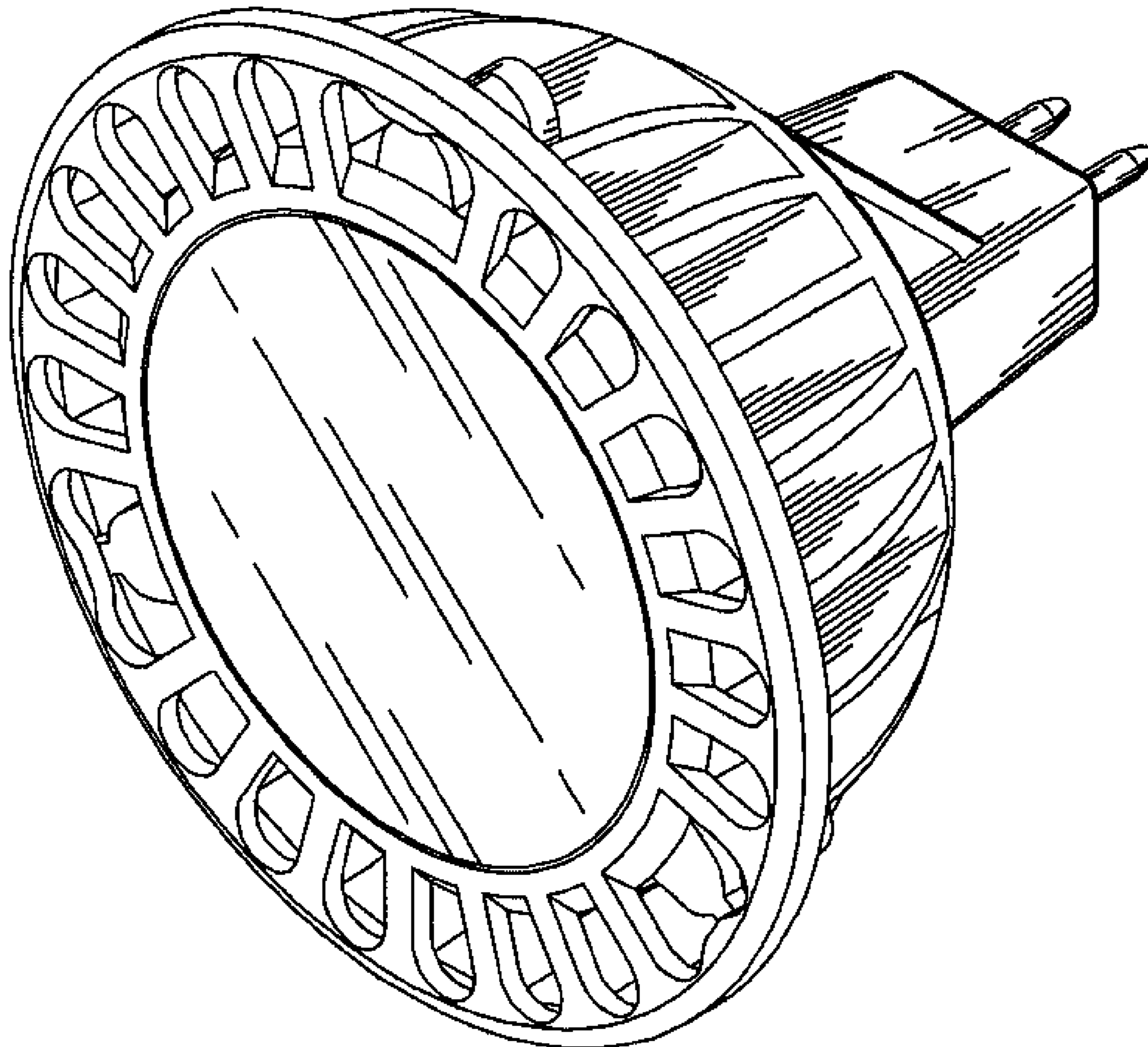
FIG. 8 is a perspective view showing the practical usage thereof.

D551,784 S * 9/2007 Krieglmeier et al. D26/2

D572,385 S * 7/2008 Mazzoquette et al. D26/2

D581,554 S * 11/2008 To et al. D26/2

1 Claim, 5 Drawing Sheets



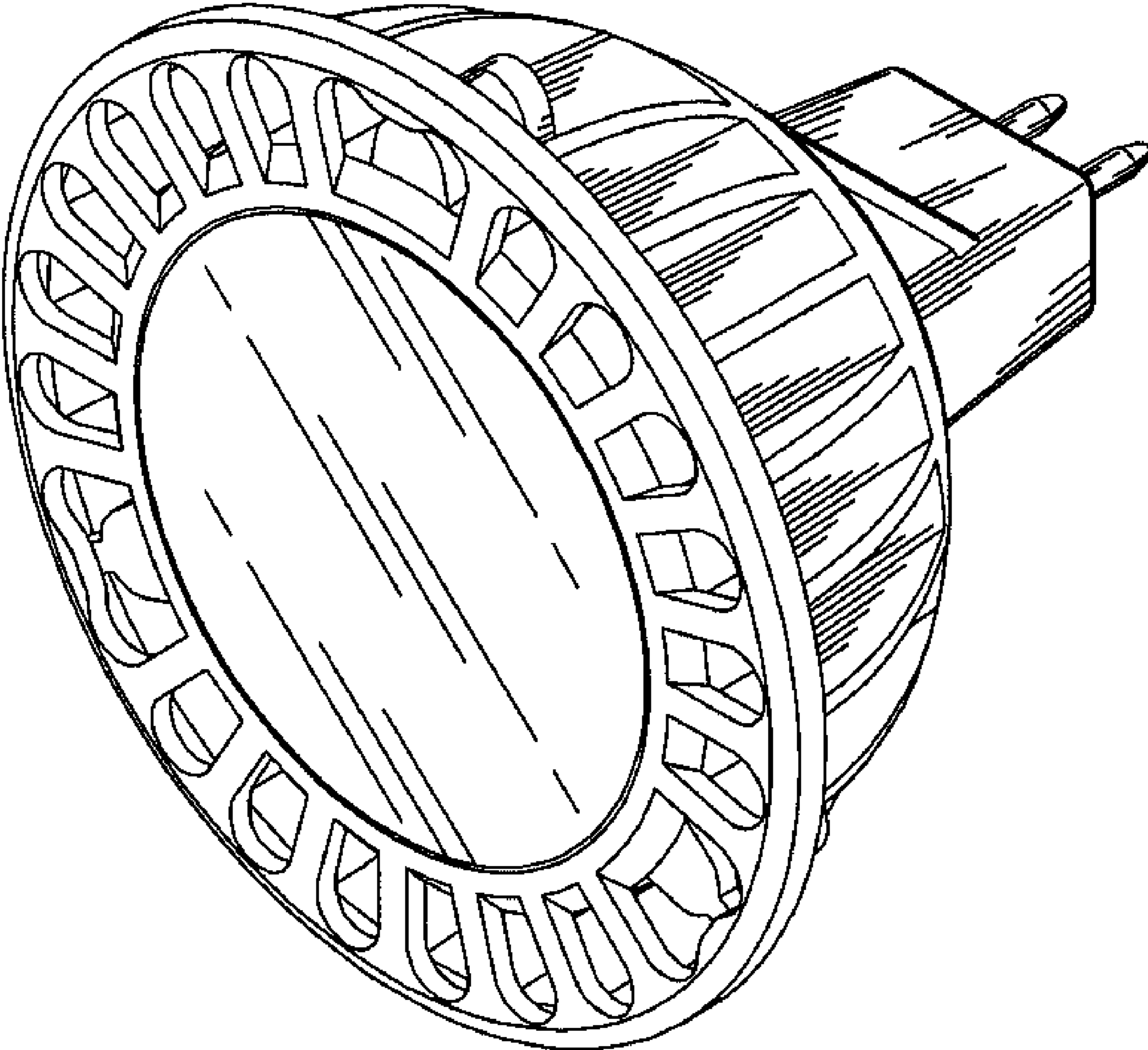


FIG. 1

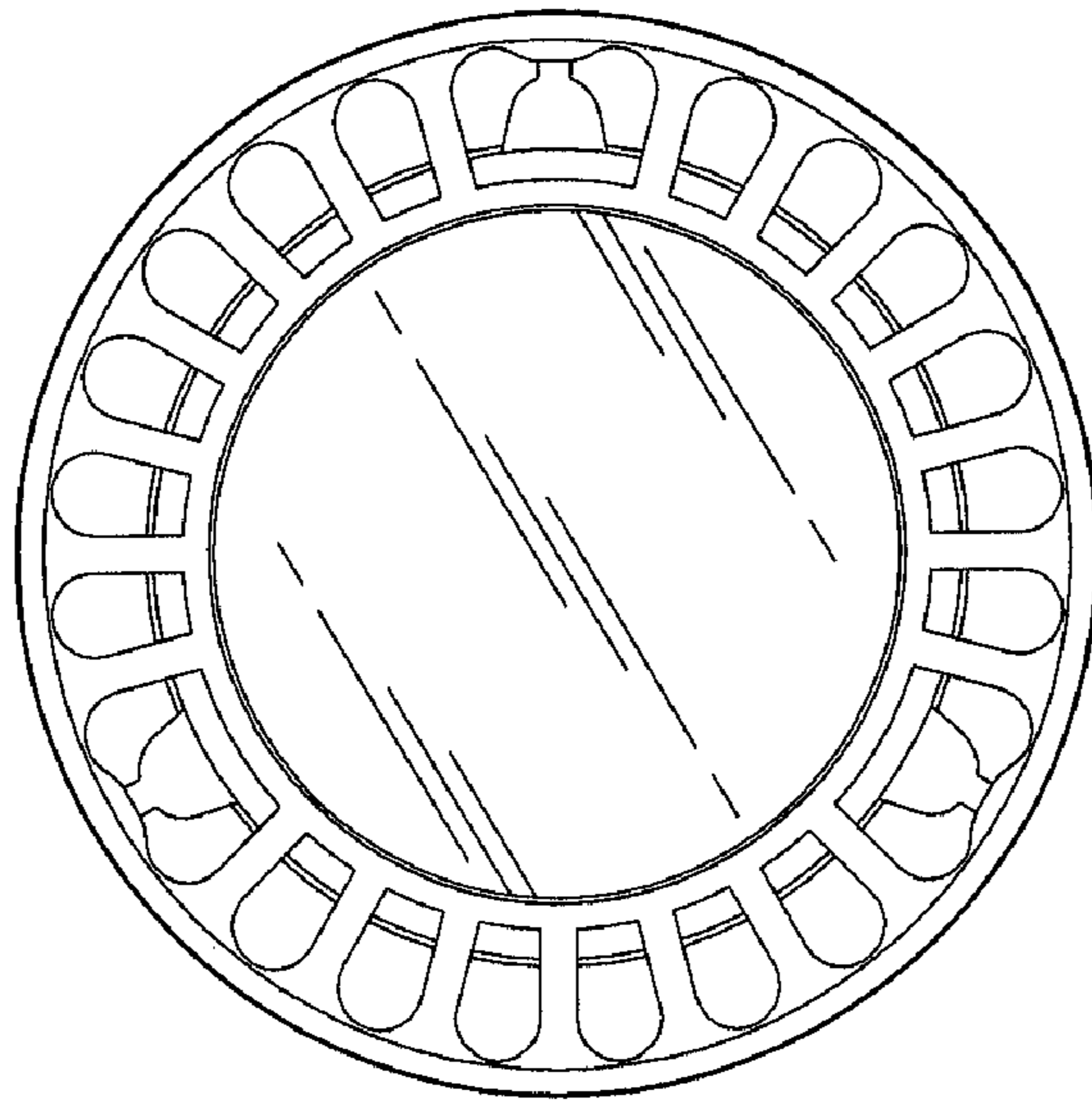


FIG. 2

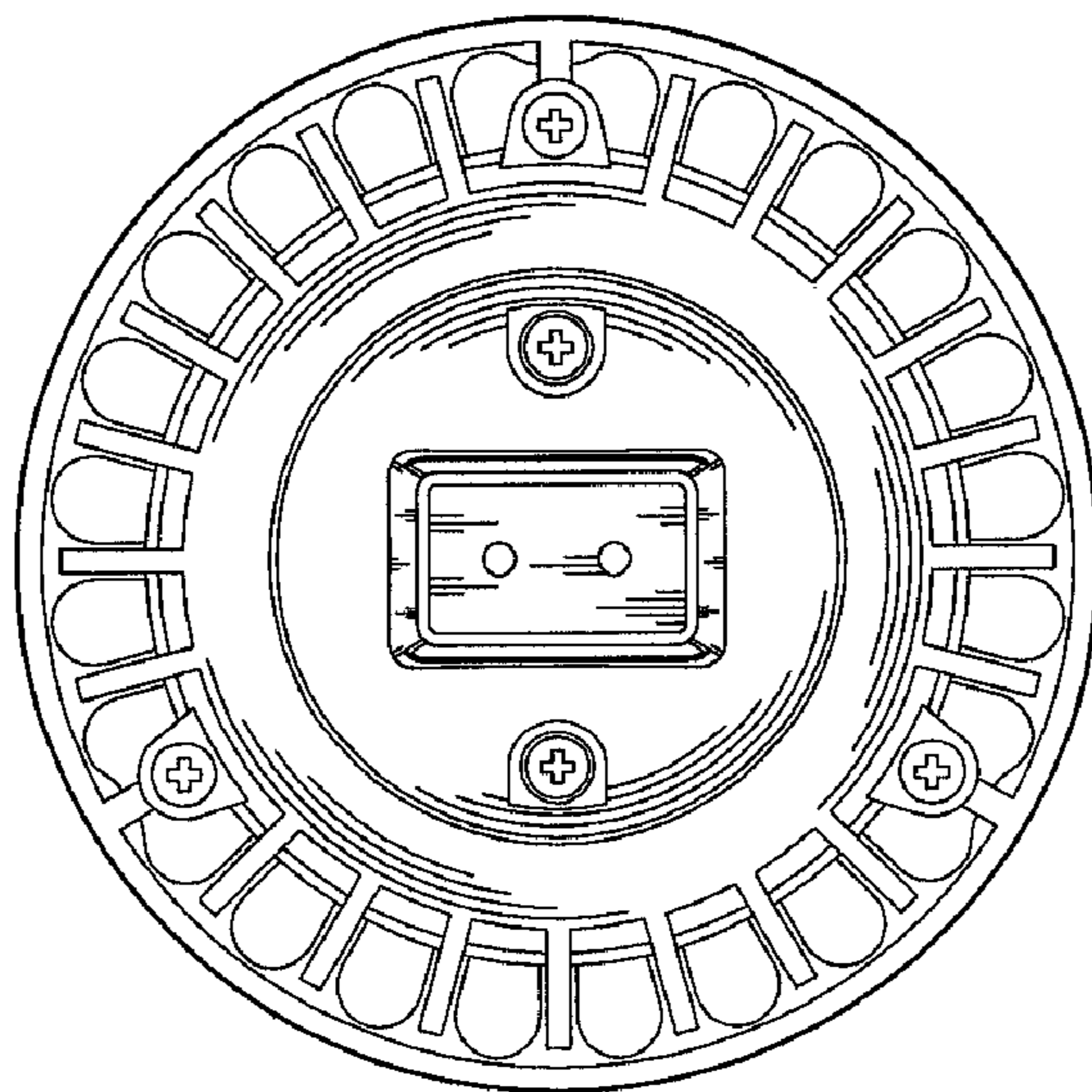


FIG. 3

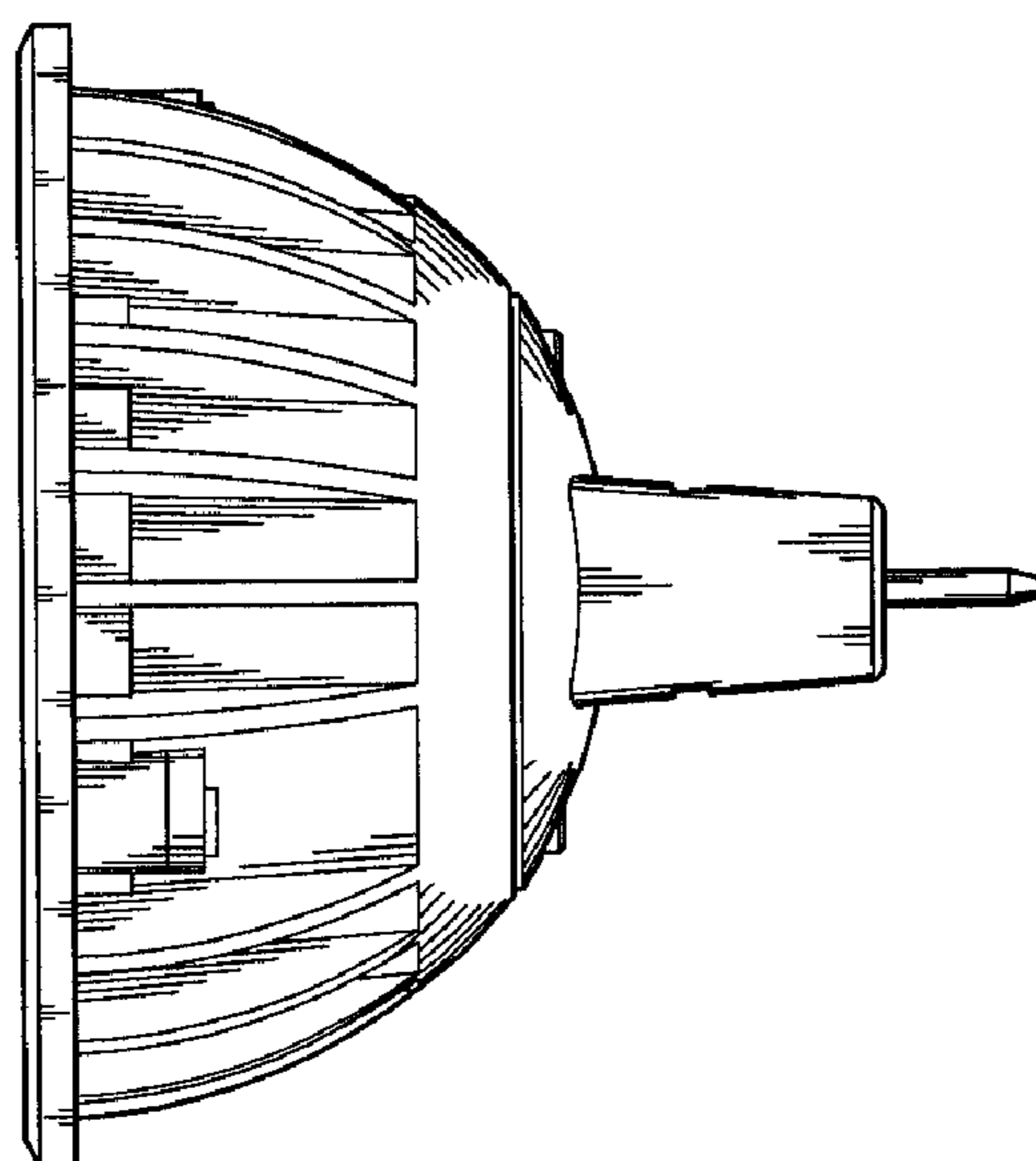


FIG. 4

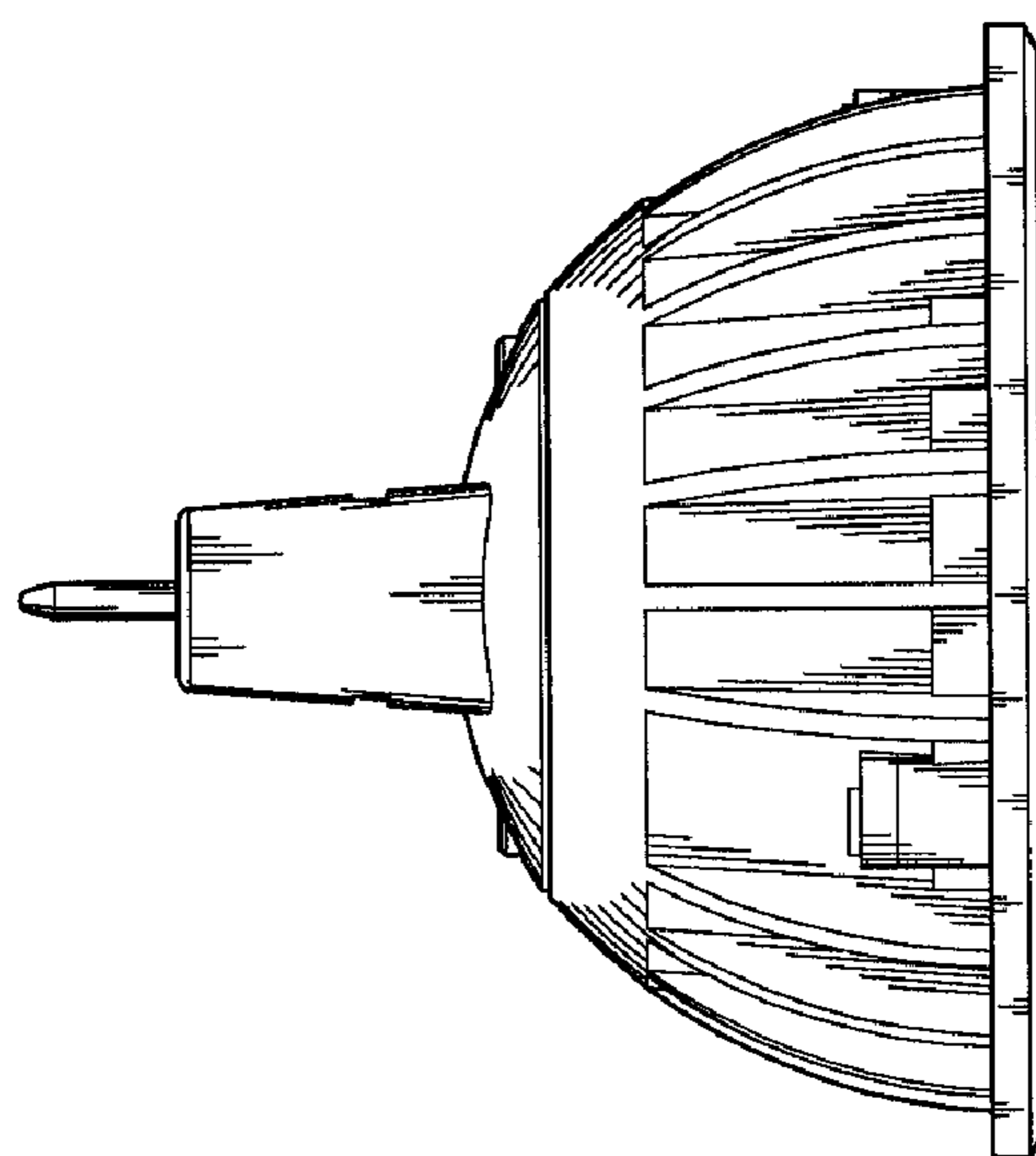


FIG. 5

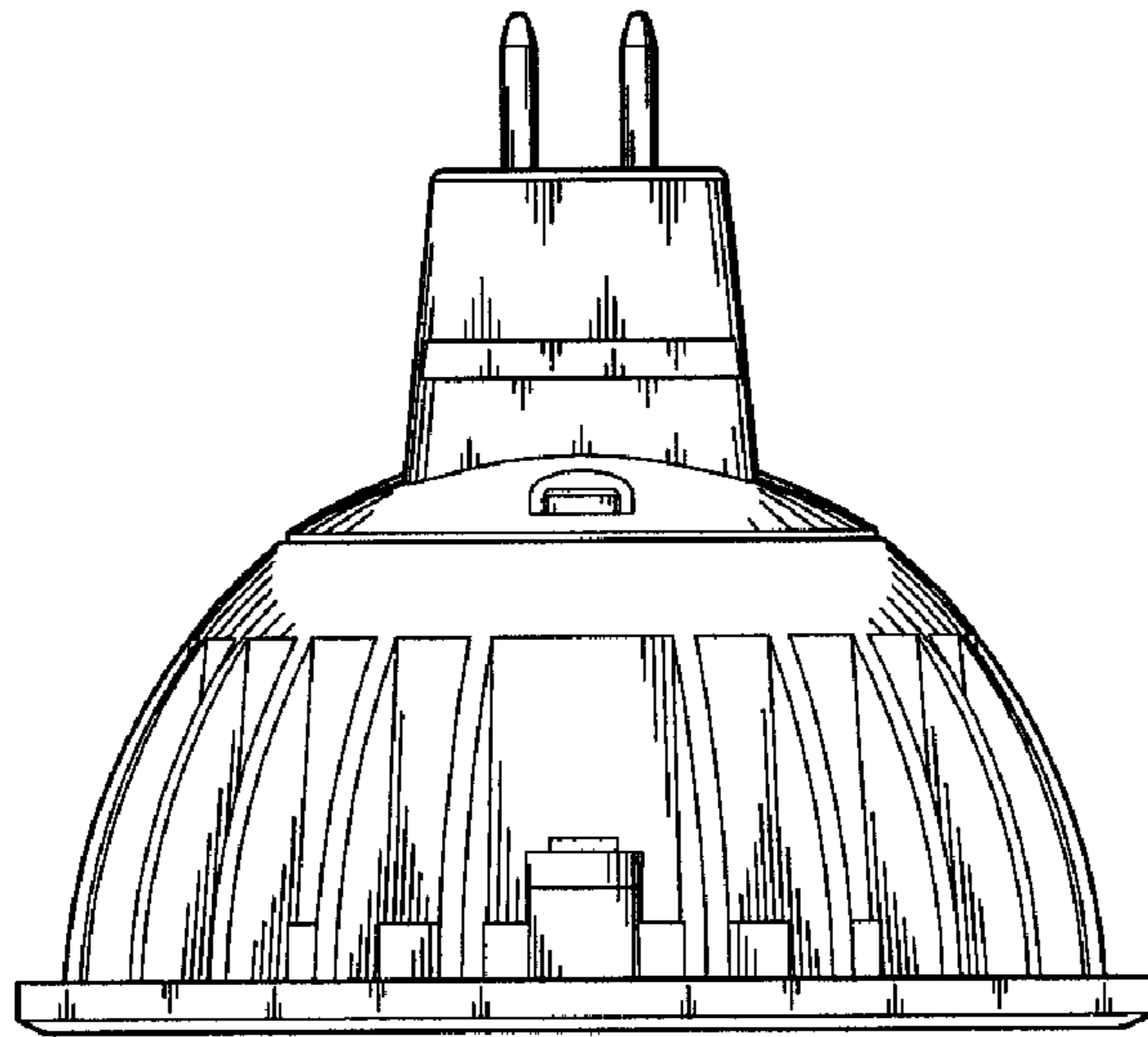


FIG. 6

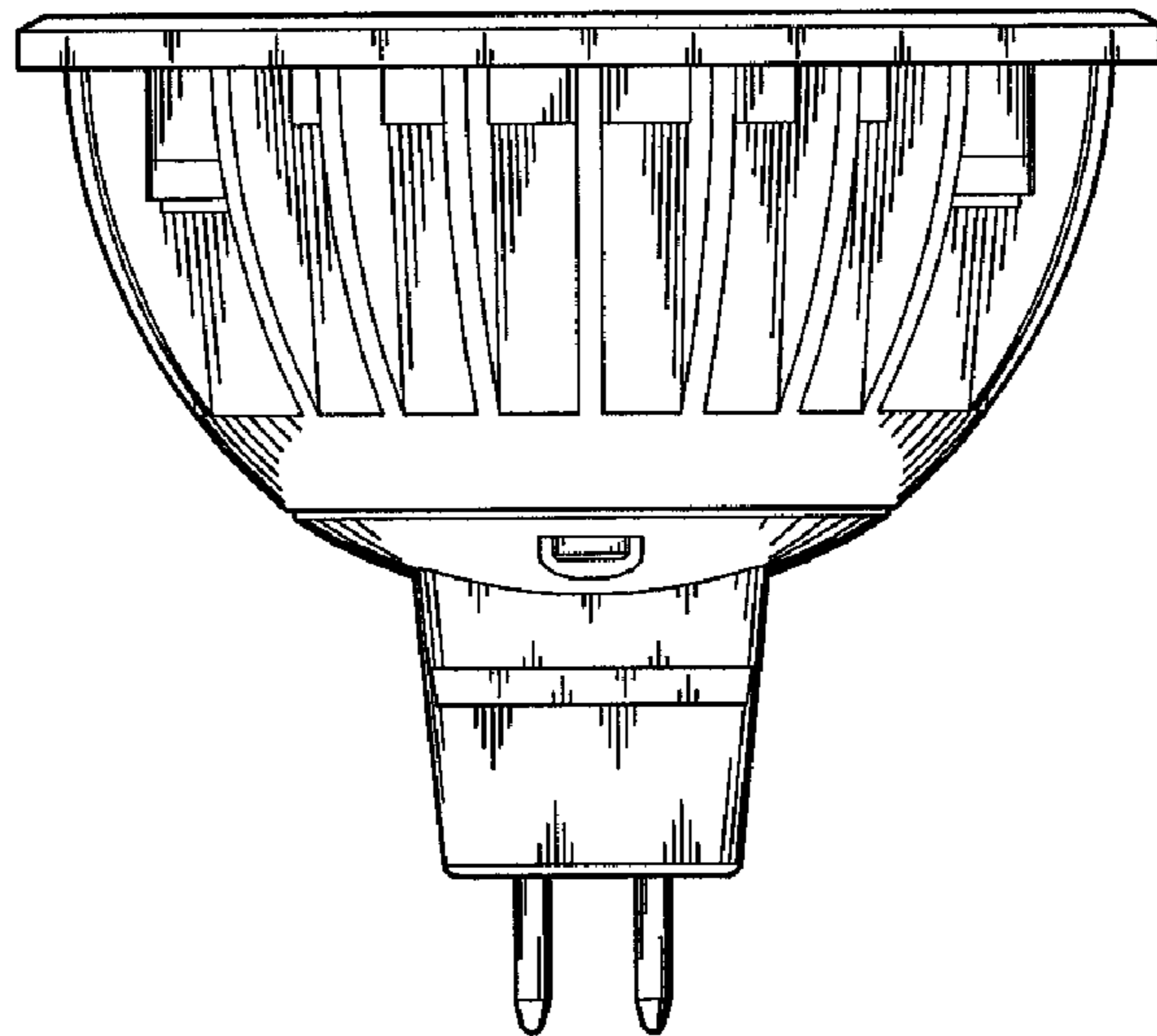


FIG. 7

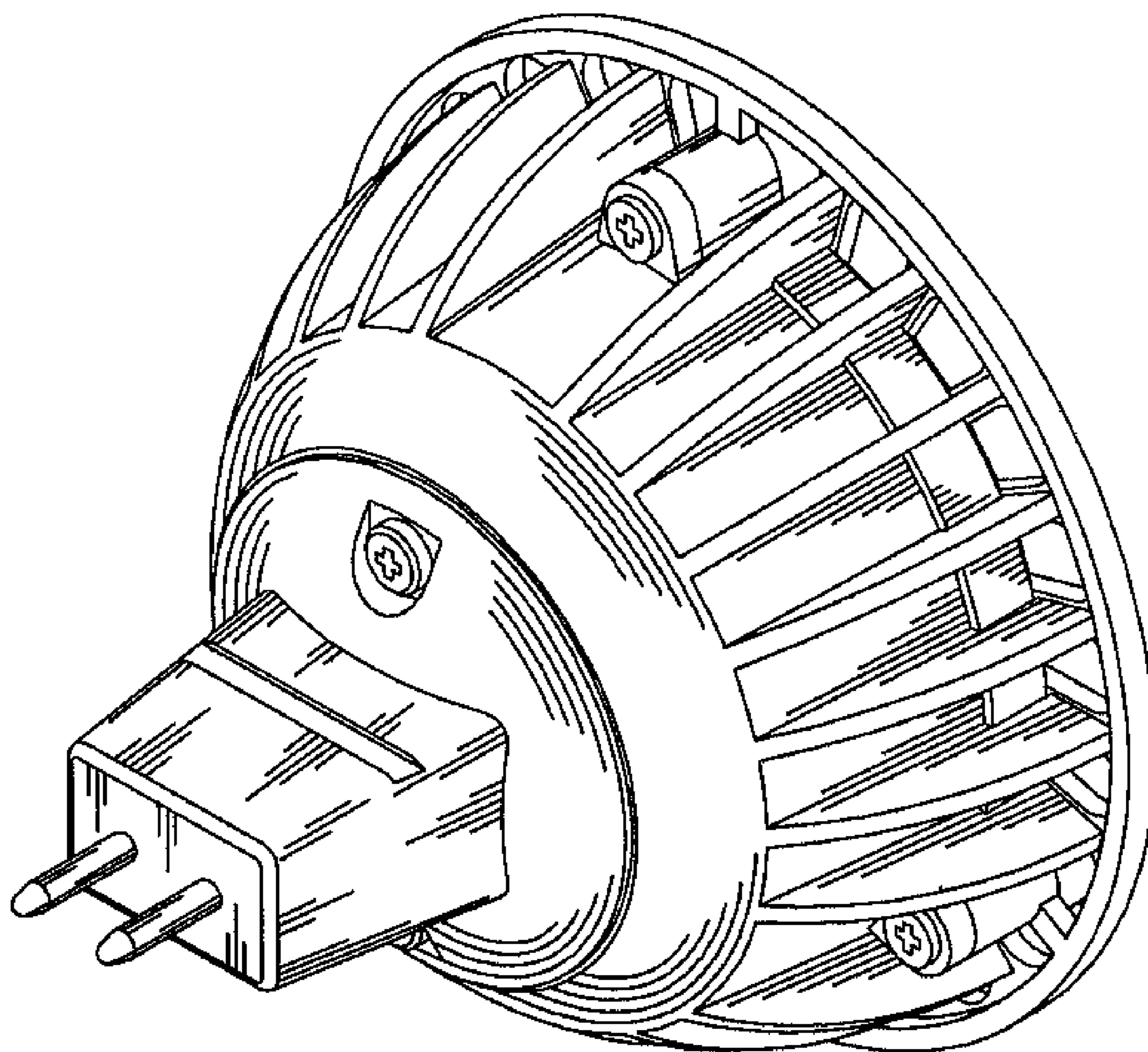


FIG. 8