



US00D618367S

(12) **United States Design Patent**  
**Schwarz et al.**

(10) **Patent No.:** **US D618,367 S**

(45) **Date of Patent:** **\*\* Jun. 22, 2010**

(54) **WALL PANEL WITH SIMULATED MASONRY**

4,241,554 A \* 12/1980 Infantino ..... 52/314

(75) Inventors: **Stefan Helmut Schwarz**, Coral Springs, FL (US); **Robert Trabue**, Hollywood, FL (US)

\* cited by examiner

*Primary Examiner*—Catherine R Oliver

(74) *Attorney, Agent, or Firm*—Drinker Biddle & Reath LLP

(73) Assignee: **Exteria Building Products**, Miami, FL (US)

(57) **CLAIM**

(\*\*) Term: **14 Years**

The ornamental design for a wall panel with simulated masonry, as shown and described.

(21) Appl. No.: **29/341,035**

**DESCRIPTION**

(22) Filed: **Jul. 29, 2009**

FIG. 1 is a perspective of a wall panel with simulated masonry embodying the design of the present invention.

(51) **LOC (9) Cl.** ..... **25-01**

(52) **U.S. Cl.** ..... **D25/151**

(58) **Field of Classification Search** ..... D25/54, D25/58, 35, 138, 112–118, 151, 163–164, D25/156; 52/596–612, 311, 314–315, 390; 405/15–16, 284, 286

FIG. 2 is a front elevational view of the wall panel with simulated masonry;

FIG. 3 is a rear elevational view of the wall panel with simulated masonry;

See application file for complete search history.

FIG. 4 is a left side elevational view of the wall panel with simulated masonry, taken in the plane of line 4–4 in FIG. 1;

FIG. 5 is a right side elevational view of the wall panel with simulated masonry, taken in the plane of line 5–5 in FIG. 1;

FIG. 6 is a top view of the wall panel with simulated masonry, taken in the plane of line 6–6 in FIG. 2; and,

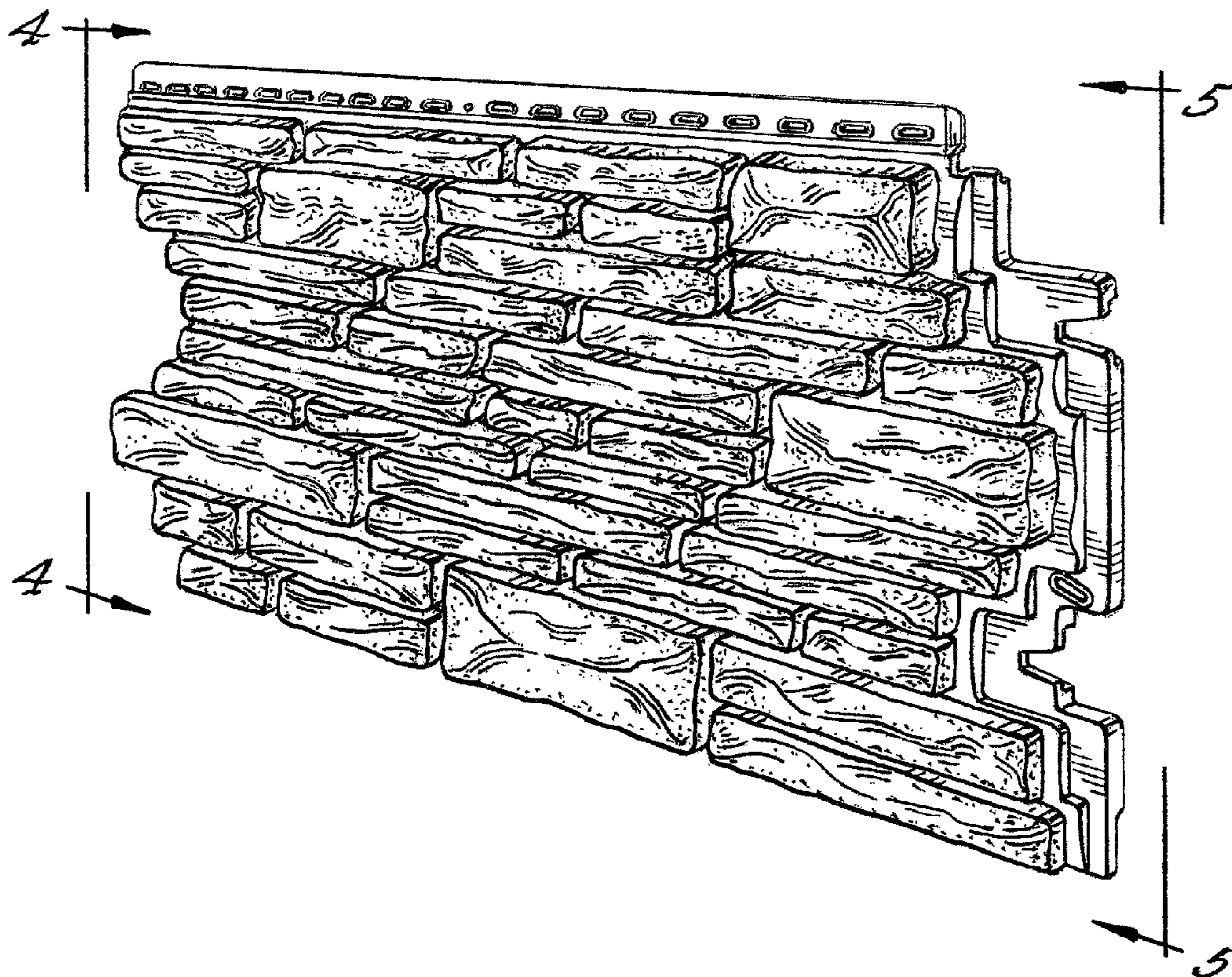
FIG. 7 is a bottom view of the wall panel with simulated masonry, taken in the plane of line 7–7 in FIG. 2.

(56) **References Cited**

**U.S. PATENT DOCUMENTS**

2,130,911 A \* 9/1938 Teunon ..... 52/315  
D133,920 S \* 9/1942 Beeson ..... D25/151  
D163,689 S \* 6/1951 Gach ..... D25/151  
D190,779 S \* 6/1961 Steckl ..... D25/151  
3,594,968 A \* 7/1971 Johnson ..... 52/390

**1 Claim, 3 Drawing Sheets**



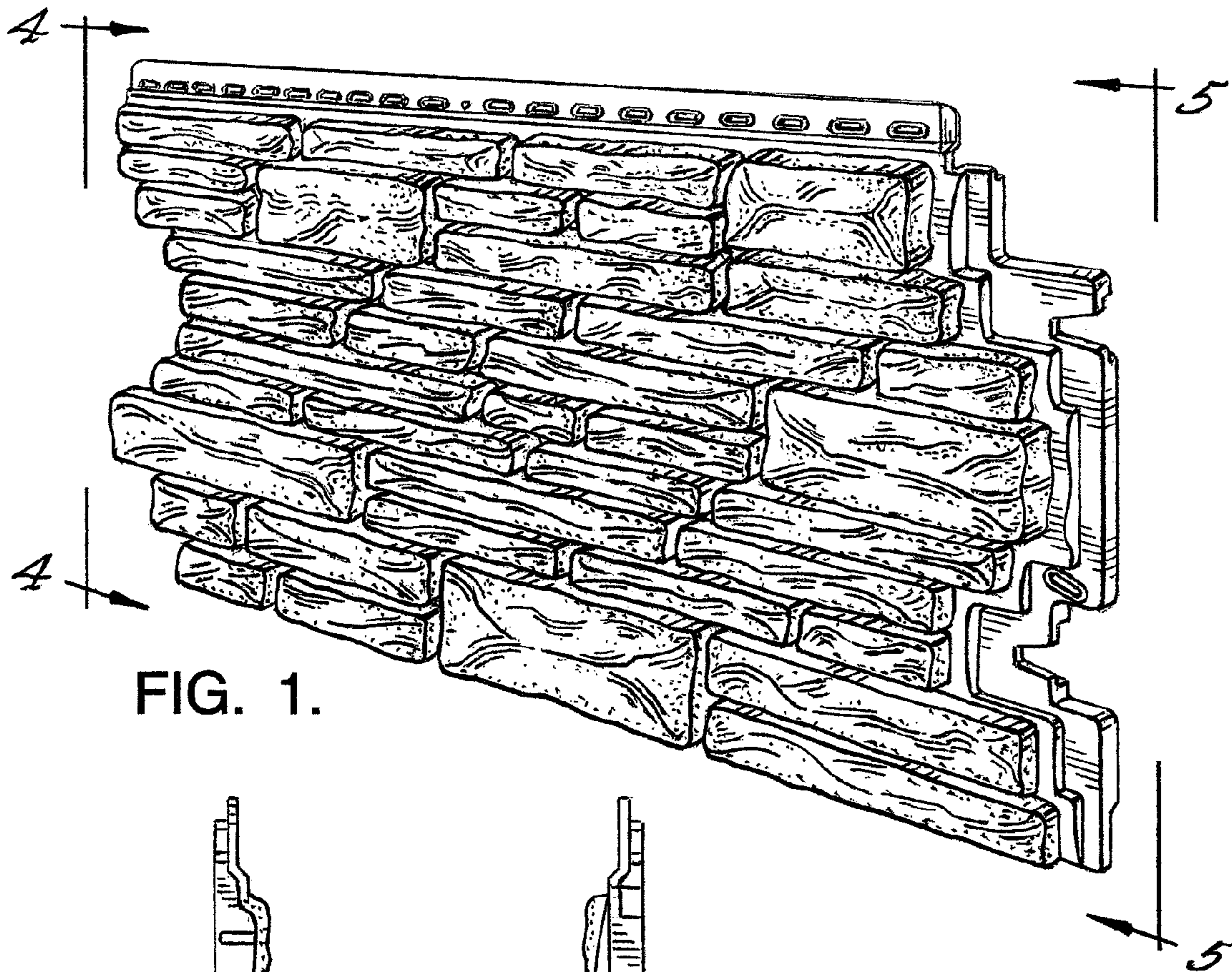


FIG. 1.



FIG. 4.



FIG. 5.



FIG. 2.

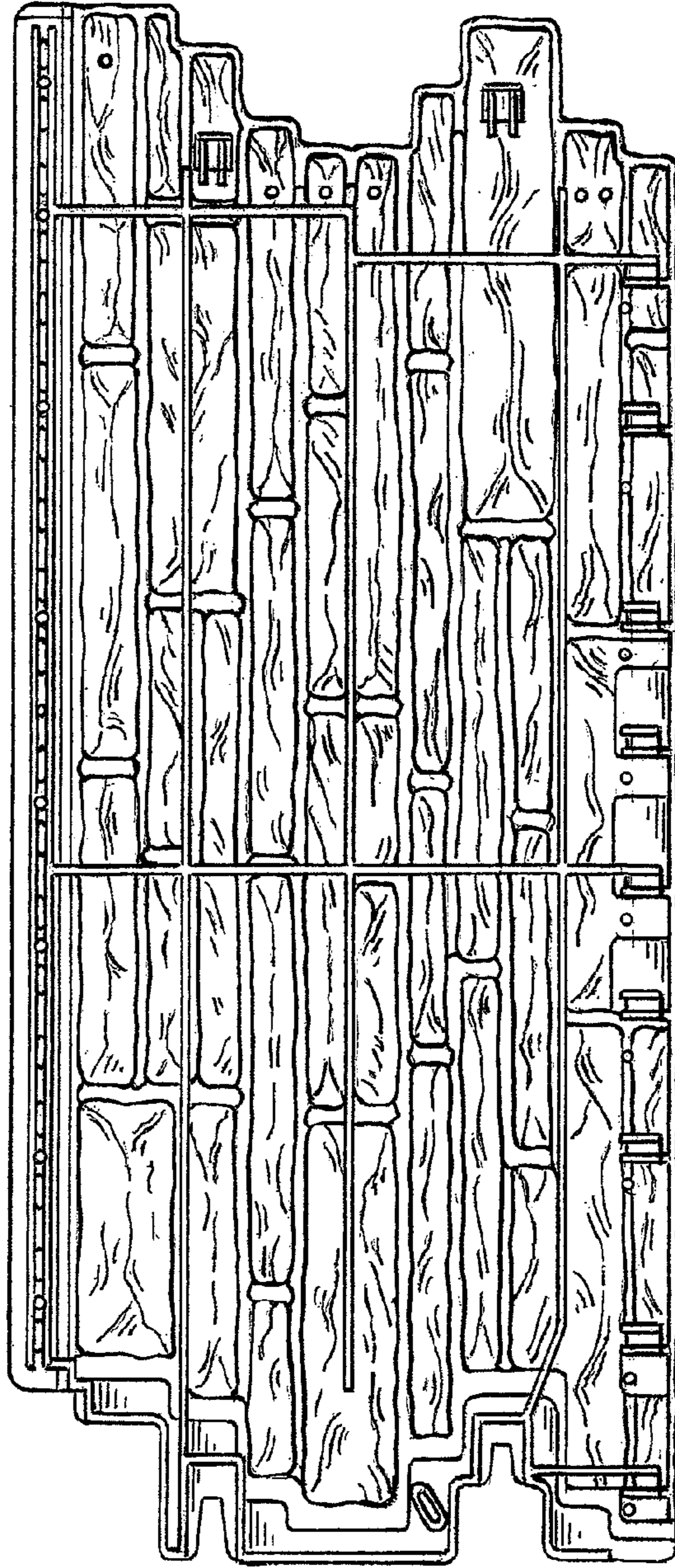
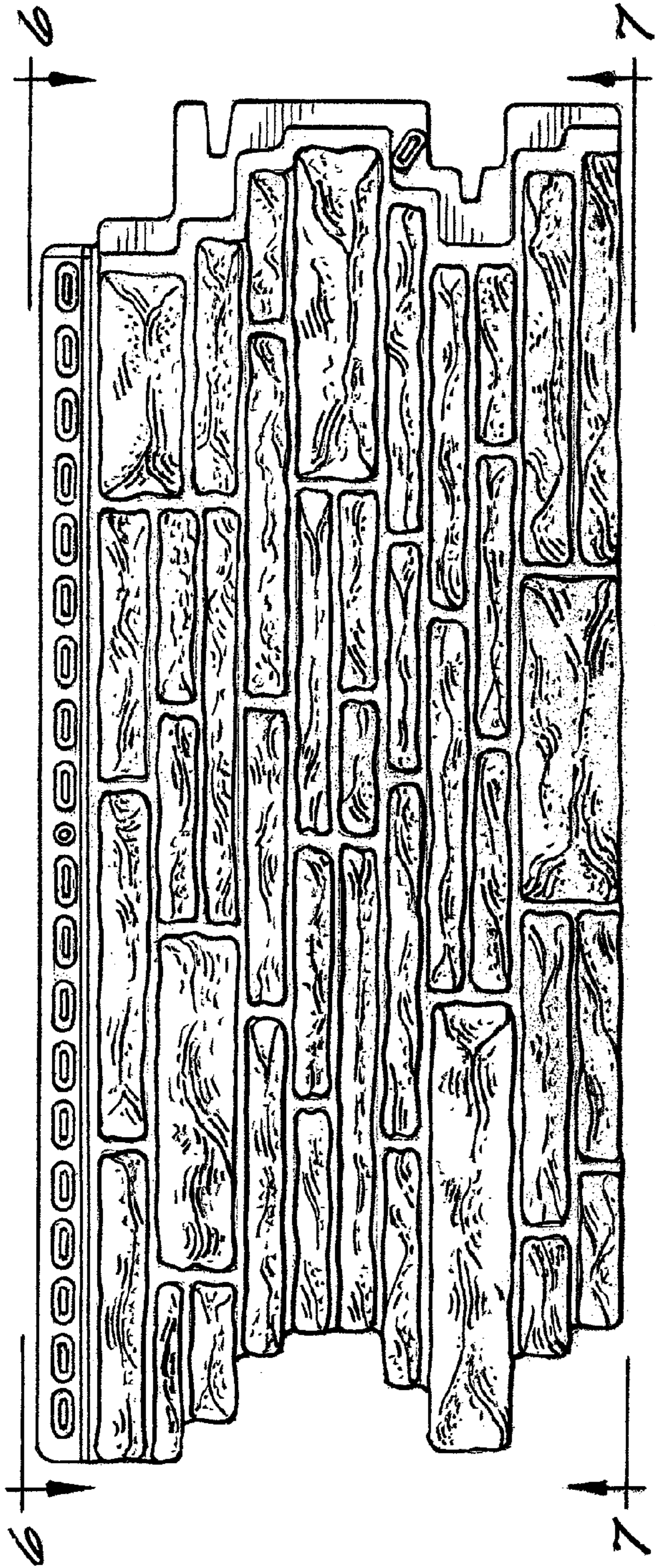


FIG. 3.



FIG. 6.



FIG. 7.