



US00D618365S

(12) **United States Design Patent**
Crane

(10) **Patent No.:** **US D618,365 S**

(45) **Date of Patent:** **** Jun. 22, 2010**

(54) **REINFORCED STEEL STUD**

(76) **Inventor:** **James Crane**, 1122 Johnson Rd., York,
SC (US) 29745

(**) **Term:** **14 Years**

(21) **Appl. No.:** **29/338,823**

(22) **Filed:** **Jun. 18, 2009**

(51) **LOC (9) Cl.** **25-01**

(52) **U.S. Cl.** **D25/121**

(58) **Field of Classification Search** D25/121,
D25/126; 52/465, 468, 481.1, 633, 650.1,
52/831

See application file for complete search history.

(56) **References Cited**

U.S. PATENT DOCUMENTS

3,129,792	A	4/1964	Gwynee	
3,950,912	A	4/1976	Lundberg	
5,222,335	A	6/1993	Petrecca	
5,315,804	A	5/1994	Attalla	
5,592,796	A	1/1997	Landers	
5,797,233	A	8/1998	Hascall	
6,205,740	B1 *	3/2001	Ekerholm et al.	52/846
D452,016	S *	12/2001	Hall	D25/121
6,374,558	B1	4/2002	Surowiecki	
6,698,155	B2	3/2004	Menendez	
6,854,397	B2	2/2005	Terajima	
6,871,470	B1 *	3/2005	Stover	52/648.1
7,127,862	B2 *	10/2006	Saldana	52/715
7,178,304	B2 *	2/2007	Brady	52/653.1

7,461,494	B2	12/2008	Flemington
2002/0005023	A1	1/2002	Ford
2003/0163970	A1	9/2003	Moore
2004/0083665	A1	5/2004	Surowiecki
2005/0081477	A1	4/2005	St. Quinton
2006/0075715	A1	4/2006	Serpico
2007/0175149	A1	8/2007	Bodnar
2008/0110126	A1	5/2008	Howchin

* cited by examiner

Primary Examiner—Doris Clark

(74) *Attorney, Agent, or Firm*—QuickPatents, Inc.; Kevin Prince

(57) **CLAIM**

I claim the ornamental design for a reinforced steel stud, as shown and described.

DESCRIPTION

FIG. 1 is a perspective view of a reinforced steel stud, showing my new design;

FIG. 2 is a front elevational view thereof;

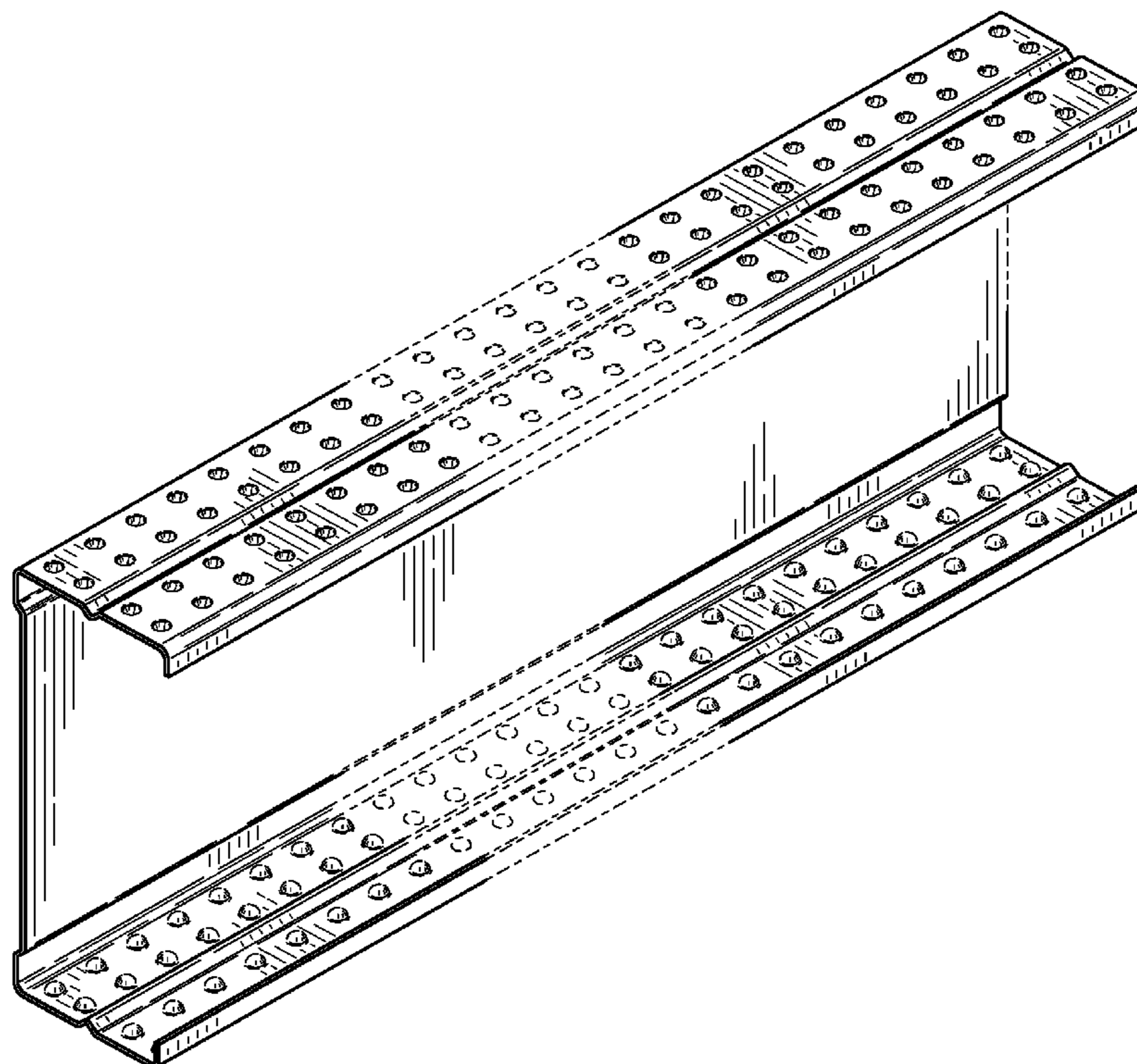
FIG. 3 is a rear elevational view thereof;

FIG. 4 is a top plan view thereof, the bottom plan view being a mirror image thereof; and,

FIG. 5 is a left-side elevational view thereof, the right-side elevational view being a mirror image thereof.

The broken lines in FIGS. 1-4 are included for the purpose of illustrating the indeterminate length of the design.

1 Claim, 3 Drawing Sheets



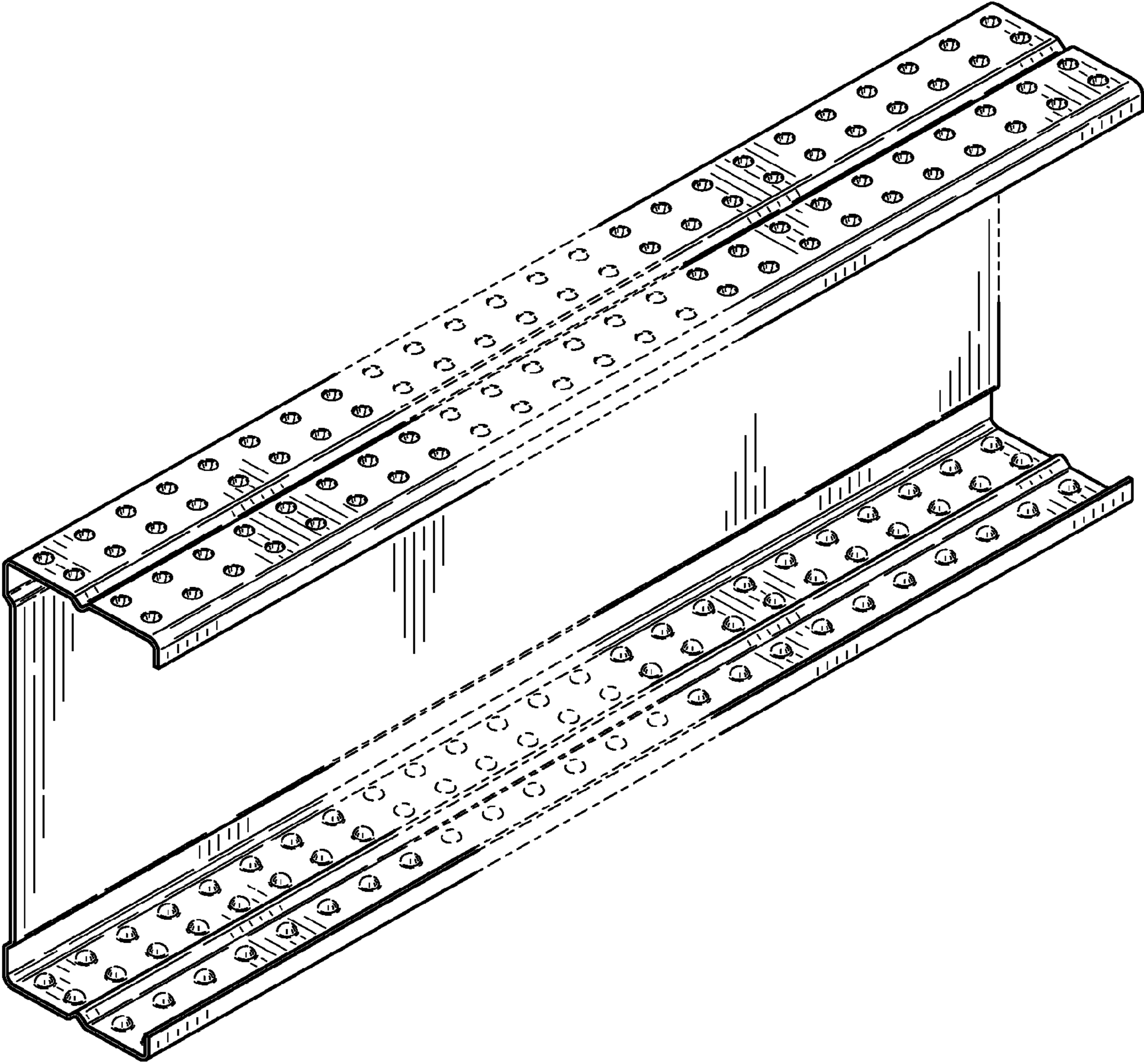


FIG. 1

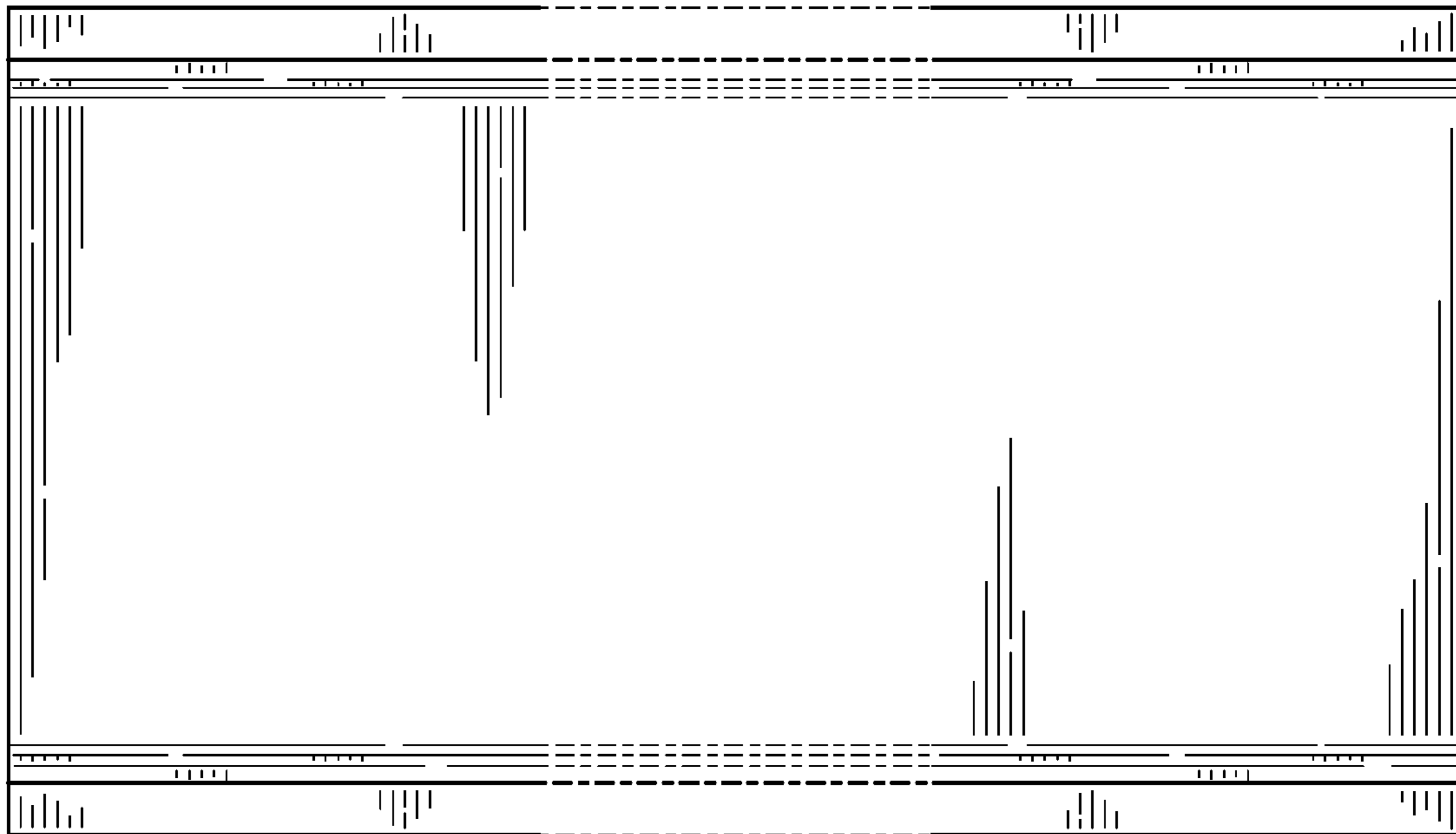


FIG. 2

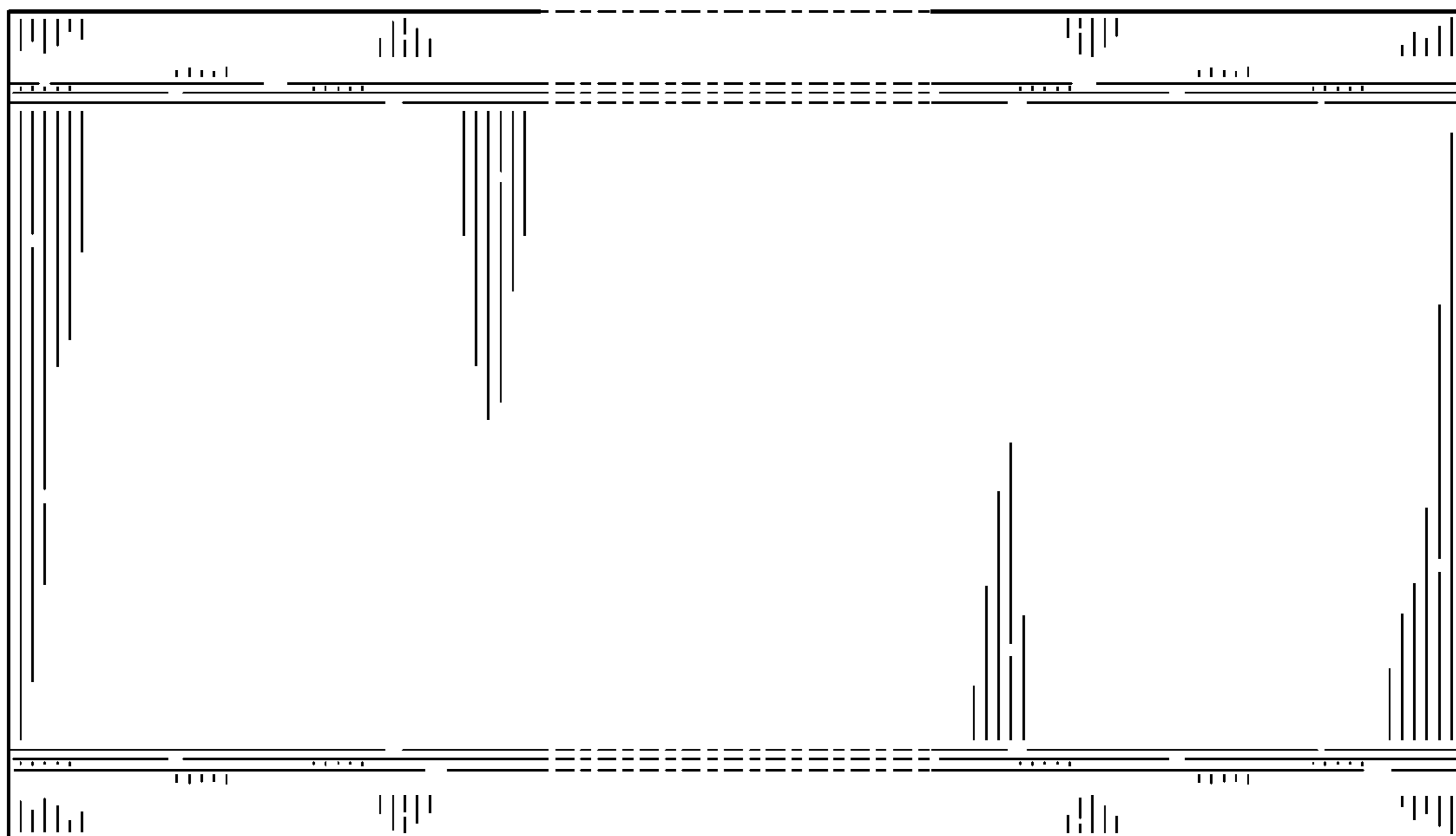


FIG. 3

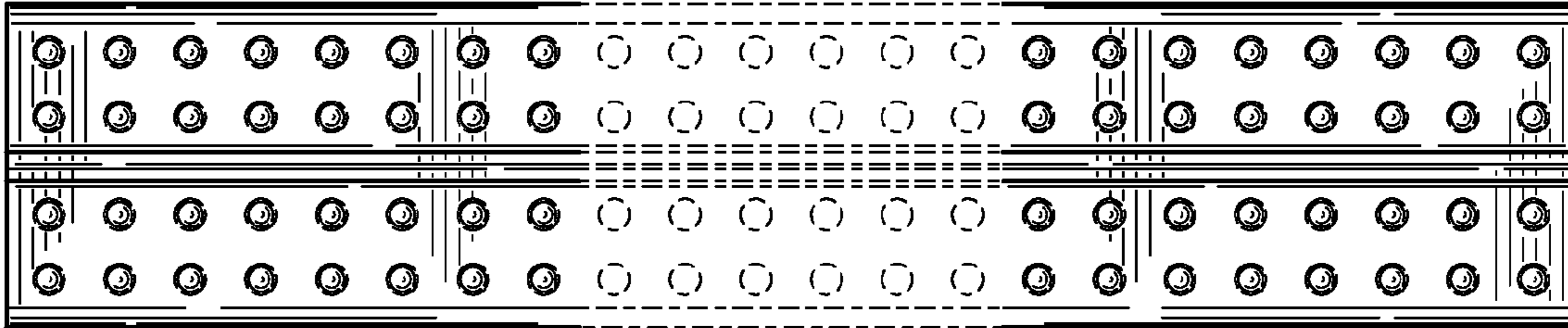


FIG. 4

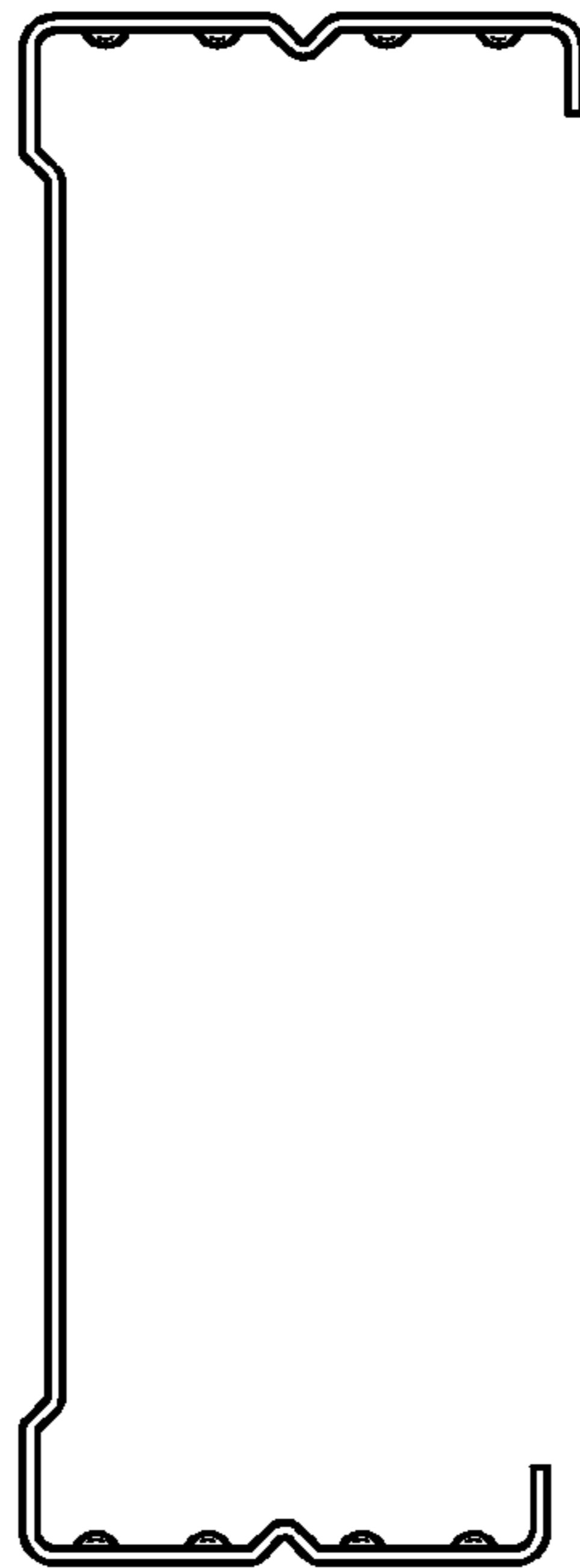


FIG. 5