

US00D618364S

(12) **United States Design Patent**
Schrom et al.

(10) **Patent No.:** **US D618,364 S**
(45) **Date of Patent:** **** Jun. 22, 2010**

(54) **SURFACE-COVERING ELEMENT**

(75) Inventors: **Daniel A. Schrom**, St. Cloud, MN (US);
William G. Schrom, St. Cloud, MN (US)

(73) Assignee: **BonnieLines LLC**, St. Cloud, MN (US)

(**) Term: **14 Years**

(21) Appl. No.: **29/332,221**

(22) Filed: **Feb. 11, 2009**

(51) **LOC (9) Cl.** **25-01**

(52) **U.S. Cl.** **D25/113; D25/138**

(58) **Field of Classification Search** D25/102,
D25/112-118, 138, 157, 160, 162; D21/484-486;
52/503-505, 574, 575, 596, 600-605, 311.2;
405/284, 286; 404/29, 30, 34, 37, 41, 42
See application file for complete search history.

(56) **References Cited**

U.S. PATENT DOCUMENTS

4,544,305	A	10/1985	Hair	
4,997,308	A *	3/1991	Welling, Jr.	404/38
5,046,887	A *	9/1991	Fontana et al.	404/34
5,466,089	A *	11/1995	Jurik	404/34
5,678,370	A *	10/1997	Douglass	52/311.2
D429,530	S *	8/2000	Fleishman	D25/113
D431,870	S *	10/2000	Ziegler, Jr.	D25/113
D439,990	S *	4/2001	Abbrancati	D25/113
D440,322	S *	4/2001	Abbrancati	D25/113
D451,208	S *	11/2001	Falconer	D25/113
D458,695	S *	6/2002	Langue	D25/157
D497,437	S *	10/2004	Poliacek et al.	D25/138
D571,936	S *	6/2008	Juhasz	D25/157

OTHER PUBLICATIONS

“Pattern Selections for Belgard Paver Series”, pages from www.belgrade.biz www.belgrade.biz/patterns.htm?section=0 As early as Jan. 8, 2009 , 5 pages.

“Photograph of Floor Grate”, Photo taken before Oct. 2008, 1 page.

* cited by examiner

Primary Examiner—T. Chase Nelson

Assistant Examiner—Anhdao Doan

(74) *Attorney, Agent, or Firm*—Pauly, DeVries Smith & Deffner, L.L.C.

(57) **CLAIM**

The ornamental design for a surface-covering element, as shown and described.

DESCRIPTION

FIG. 1 is a perspective view of a first embodiment of a surface-covering element showing our new design;

FIG. 2 is a top view thereof;

FIG. 3 is a front elevation view thereof, the rear elevation view being identical to the front elevation view;

FIG. 4 is a left side elevation view thereof, the right side elevation view being identical to the left side elevation view;

FIG. 5 is a perspective view of a second embodiment of a surface-covering element showing our new design;

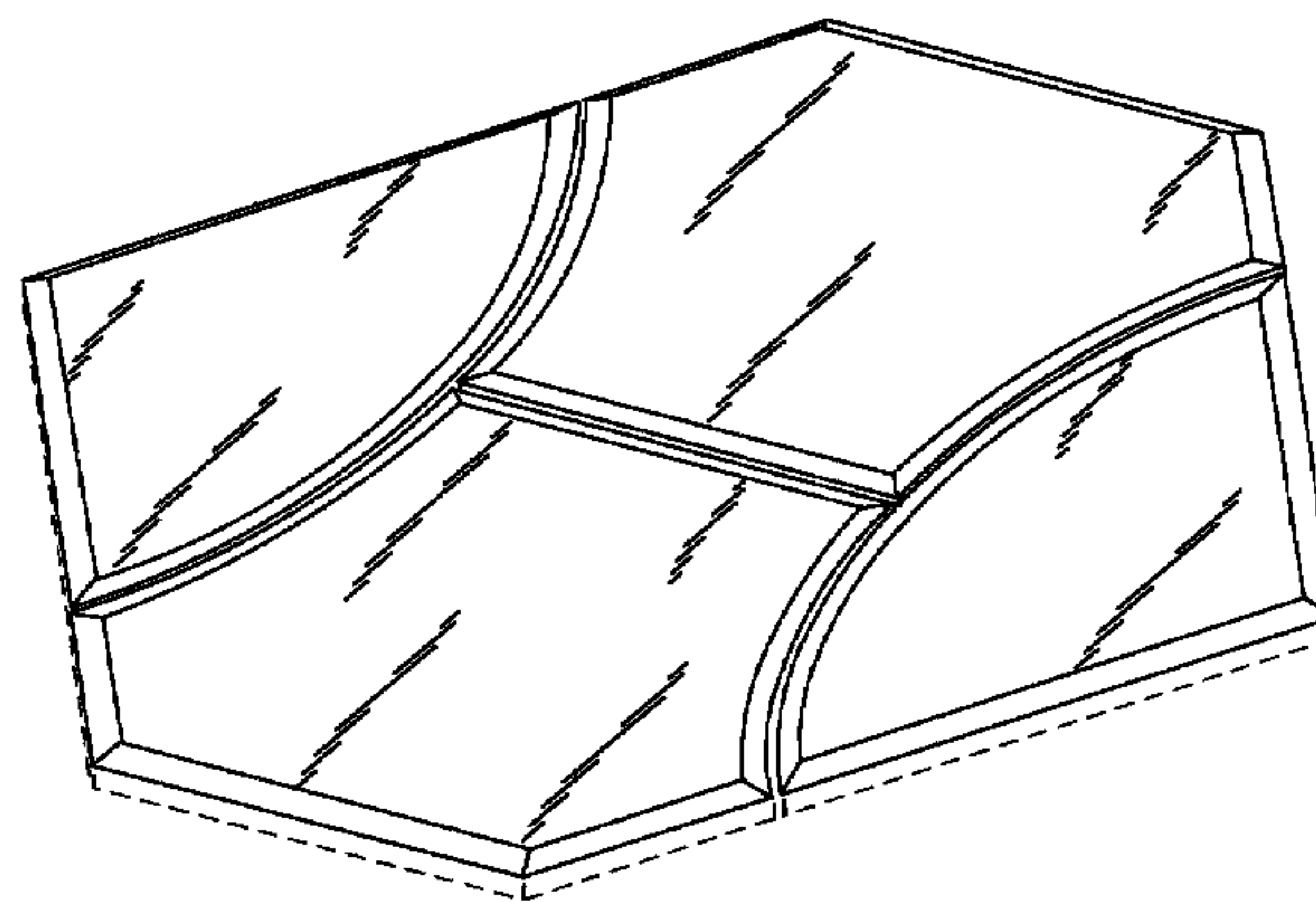
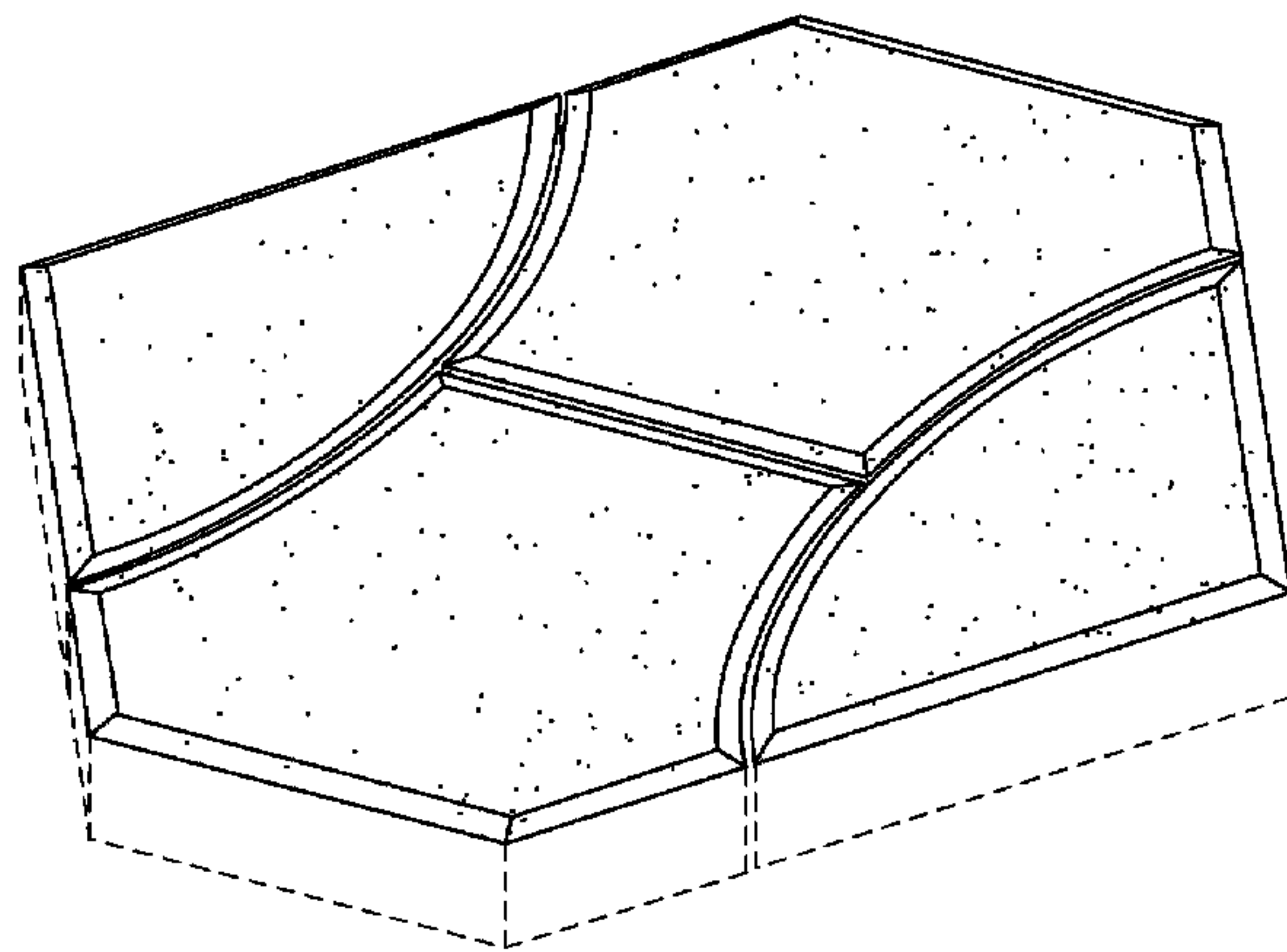
FIG. 6 is a top view thereof;

FIG. 7 is a front elevation view thereof, the rear elevation view being identical to the front elevation view; and,

FIG. 8 is a left side elevation view thereof, the right side elevation view being identical to the left side elevation view.

The broken lines in the drawing views are included for the purpose of illustrating portions of the surface-covering element that form no part of the claimed design.

1 Claim, 4 Drawing Sheets



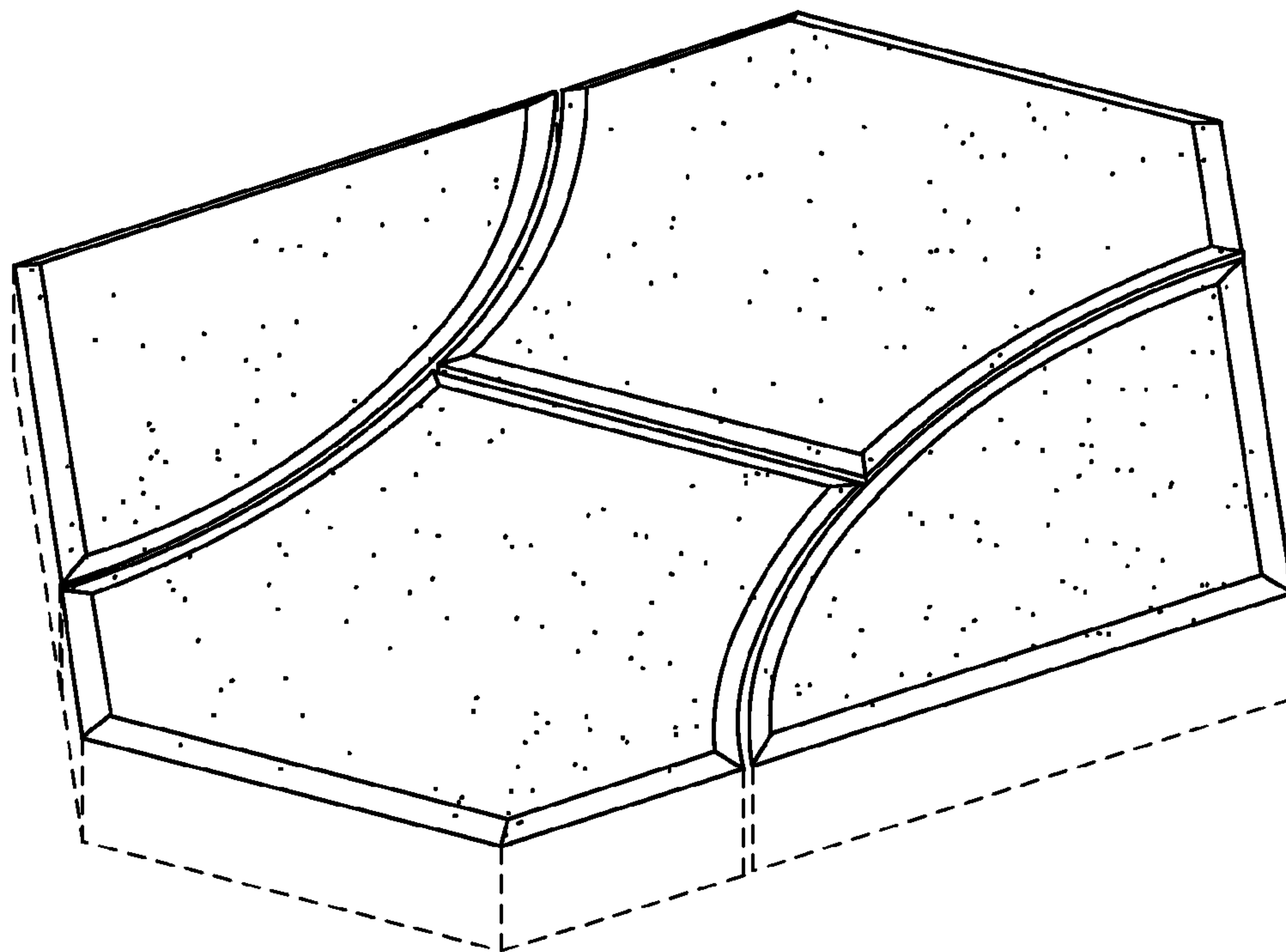


FIG. 1

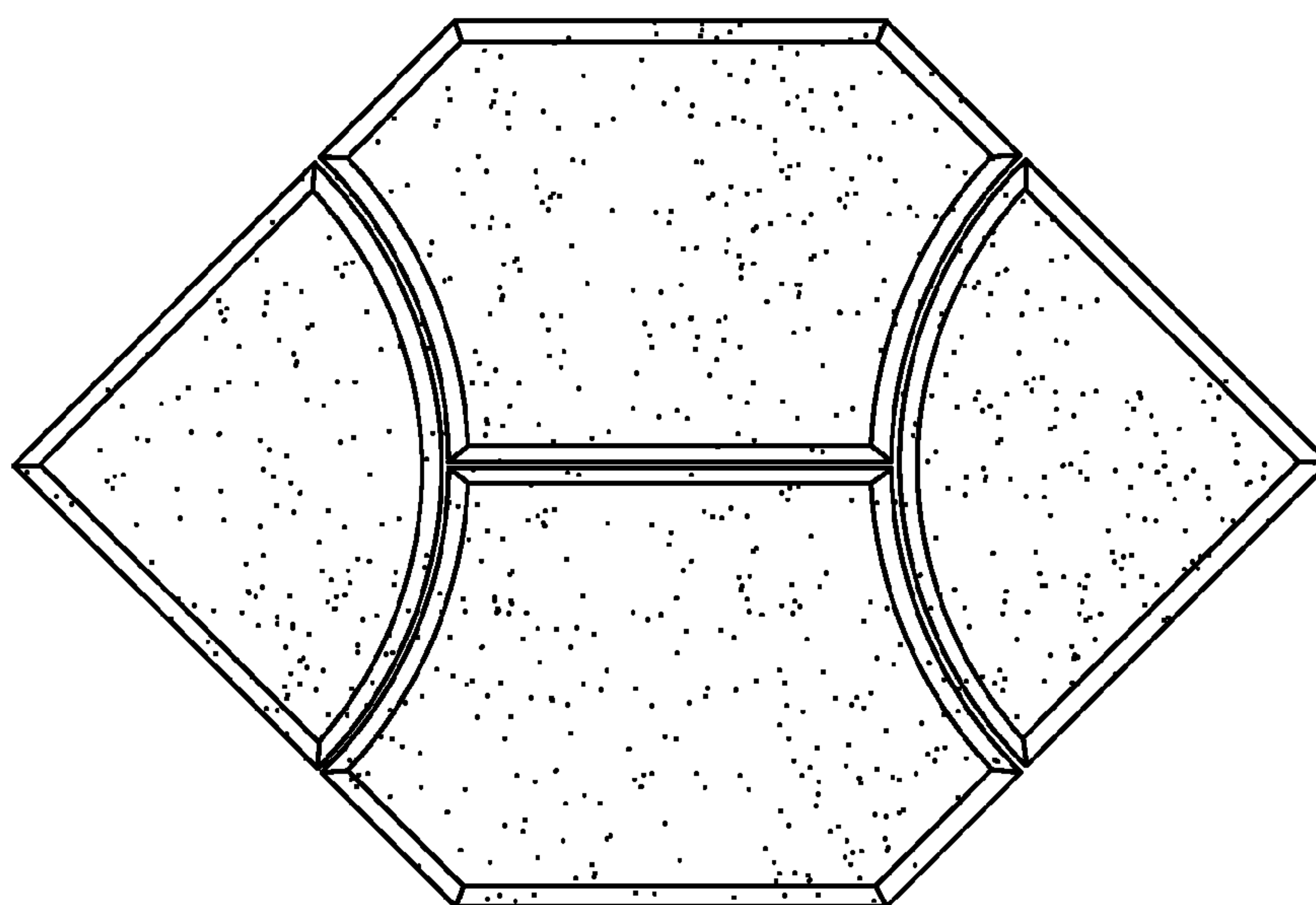


FIG. 2

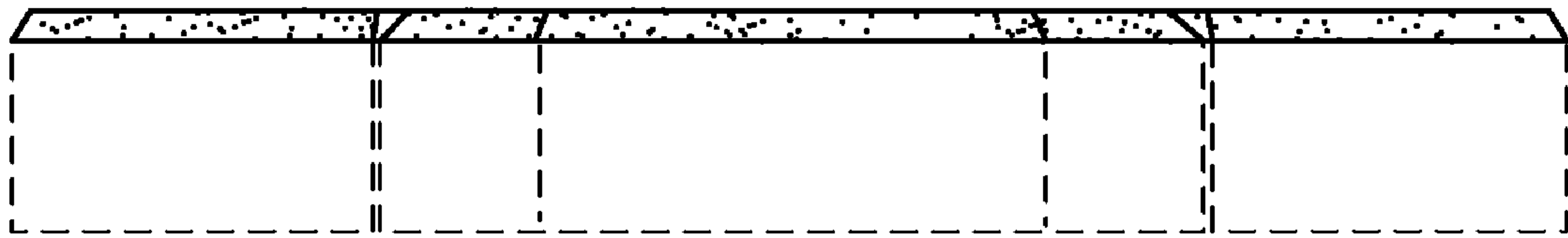


FIG. 3

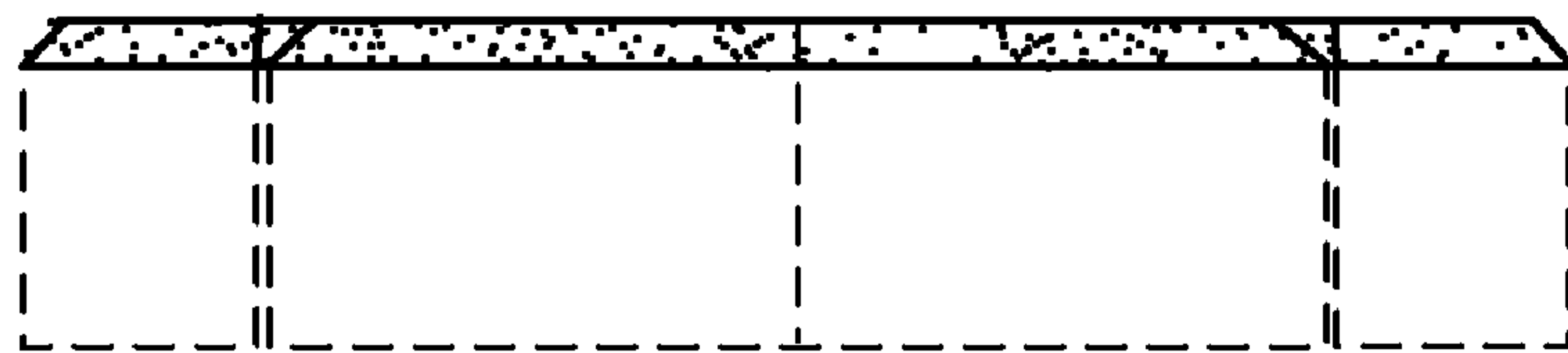


FIG. 4

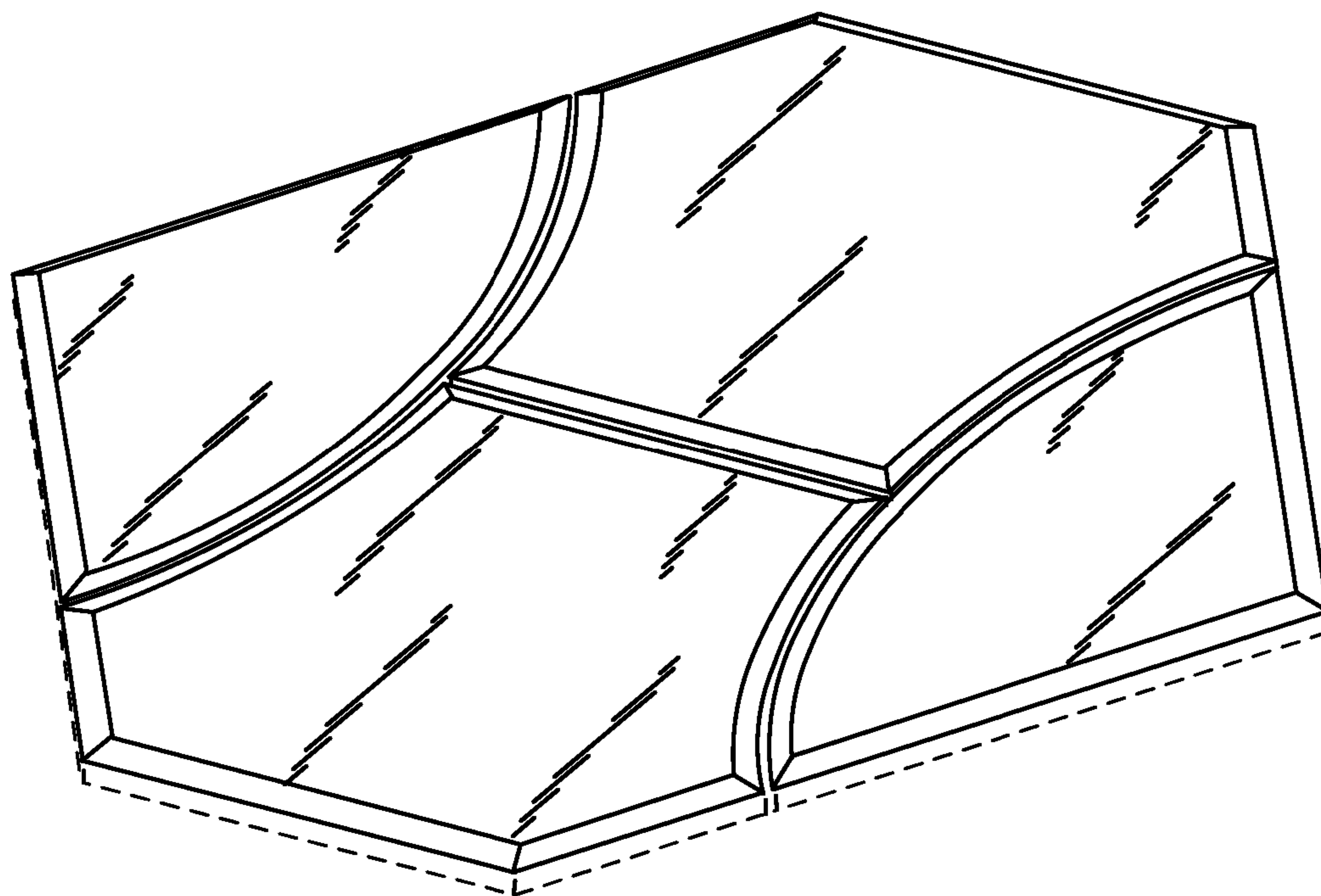


FIG. 5

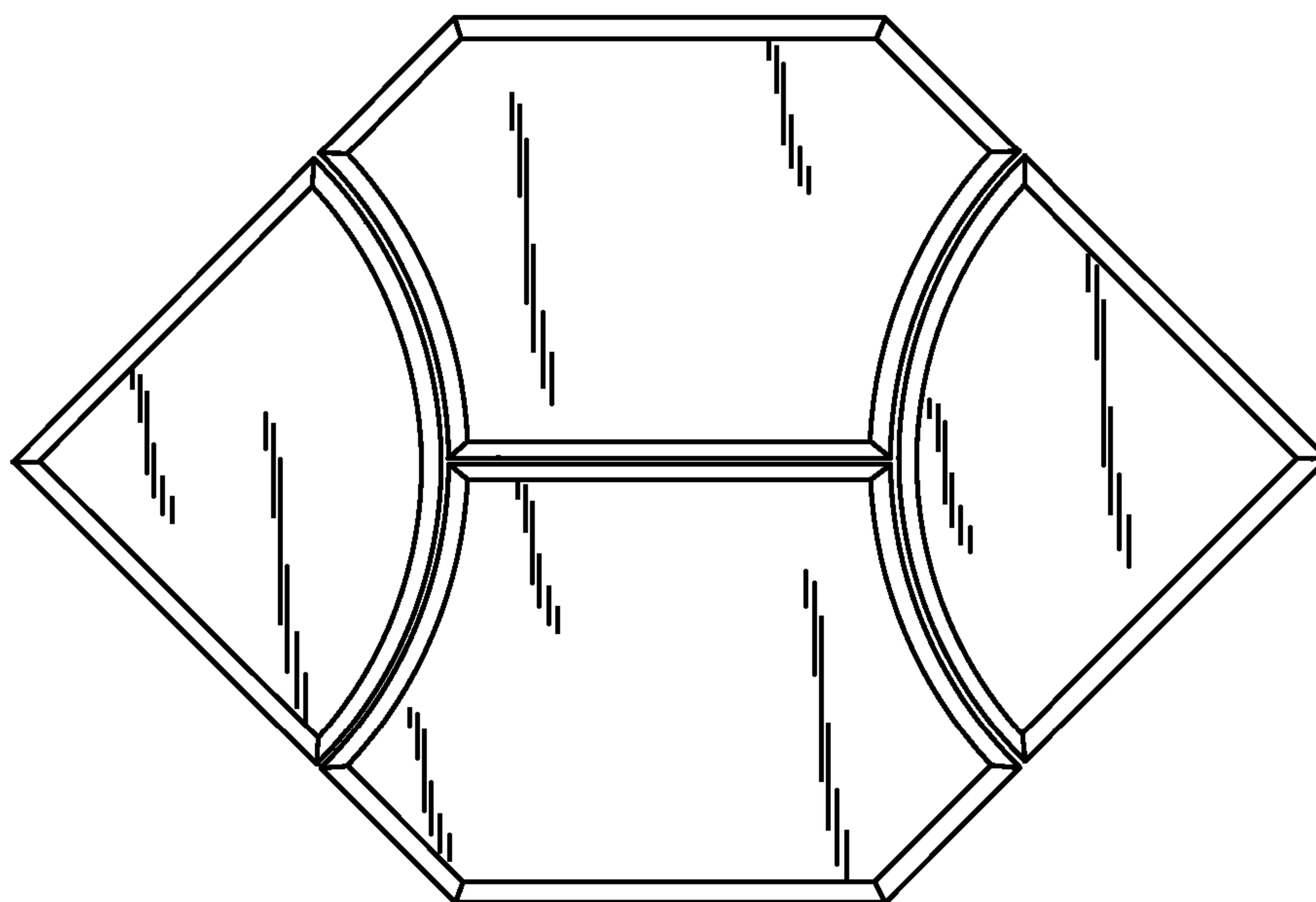


FIG. 6



FIG. 7

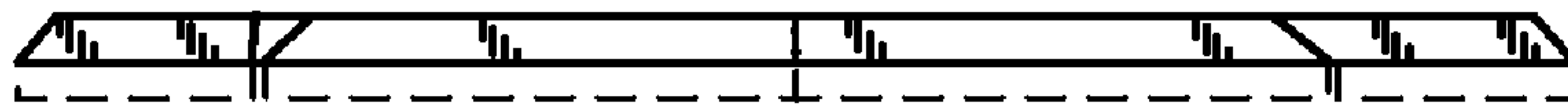


FIG. 8