



US00D618360S

(12) **United States Design Patent**
Mac

(10) **Patent No.:** **US D618,360 S**

(45) **Date of Patent:** **** Jun. 22, 2010**

(54) **SPRAY TANNING BOOTH**

(76) **Inventor:** **Adam Mac**, 1607 Von Phister, Key West,
FL (US) 33040

(**) **Term:** **14 Years**

(21) **Appl. No.:** **29/343,588**

(22) **Filed:** **Sep. 15, 2009**

(51) **LOC (9) Cl.** **28-03**

(52) **U.S. Cl.** **D24/209**

(58) **Field of Classification Search** D24/209,
D24/210; 607/80, 81, 88, 90, 91, 94, 95;
4/596, 15, 524, 525, 612, 600, 599, 526,
4/615; 135/128, 137, 156, 157; D25/16,
D25/32, 33, 47, 48, 18, 19; 239/200, 548

See application file for complete search history.

(56) **References Cited**

U.S. PATENT DOCUMENTS

4,674,507	A *	6/1987	Basso	607/91
D458,382	S *	6/2002	Charette	D24/209
D459,001	S *	6/2002	Baird	D25/18
6,478,810	B1 *	11/2002	Purschel	607/91
D495,421	S *	8/2004	Tebo	D24/209
D496,109	S *	9/2004	Tebo	D24/209
D497,997	S *	11/2004	Charette	D24/209
D500,362	S *	12/2004	Charette	D24/209
D525,713	S *	7/2006	Charette	D24/209
D557,812	S *	12/2007	Charette	D24/209
2004/0068789	A1 *	4/2004	Pastorelli	4/596

2005/0065578	A1 *	3/2005	Venuto, Sr.	607/88
2006/0163382	A1 *	7/2006	Spivak et al.	239/200
2007/0107121	A1 *	5/2007	Smith et al.	4/615
2007/0125798	A1 *	6/2007	McGuire	222/14
2007/0169261	A1 *	7/2007	Smith et al.	4/615

* cited by examiner

Primary Examiner—T. Chase Nelson

Assistant Examiner—Melanie Levy

(74) *Attorney, Agent, or Firm*—QuickPatents, Inc.; Kevin Prince

(57) **CLAIM**

I claim the ornamental design for a spray tanning booth, as shown and described.

DESCRIPTION

FIG. 1 is a front perspective view of a spray tanning booth, showing my new design;

FIG. 2 is a rear perspective view thereof;

FIG. 3 is a front elevational view thereof;

FIG. 4 is a rear elevational view thereof;

FIG. 5 is a left-side elevational view thereof;

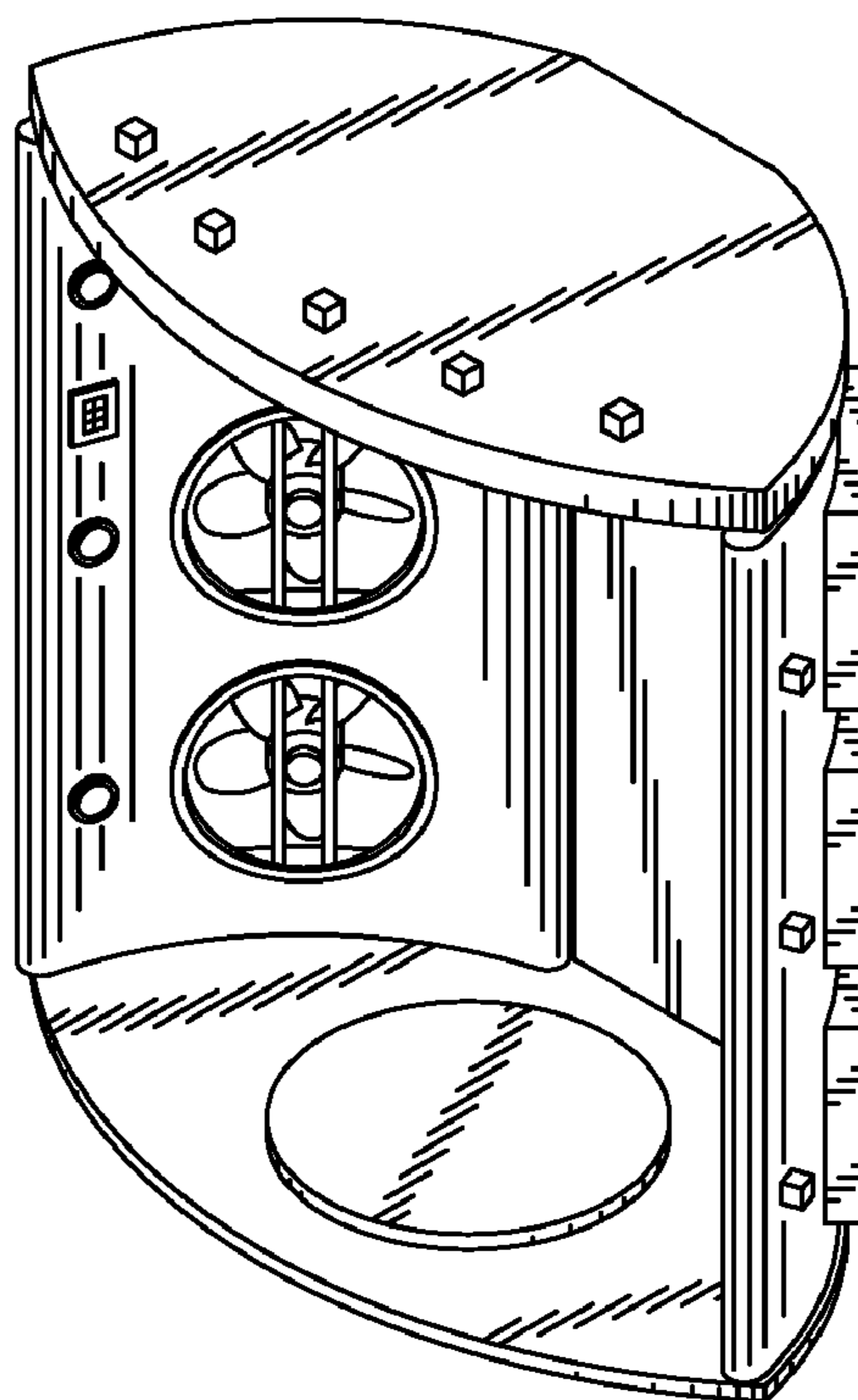
FIG. 6 is a right-side elevational view thereof;

FIG. 7 is a top plan view thereof;

FIG. 8 is a bottom plan view thereof; and,

FIG. 9 is an exploded perspective view thereof.

1 Claim, 3 Drawing Sheets



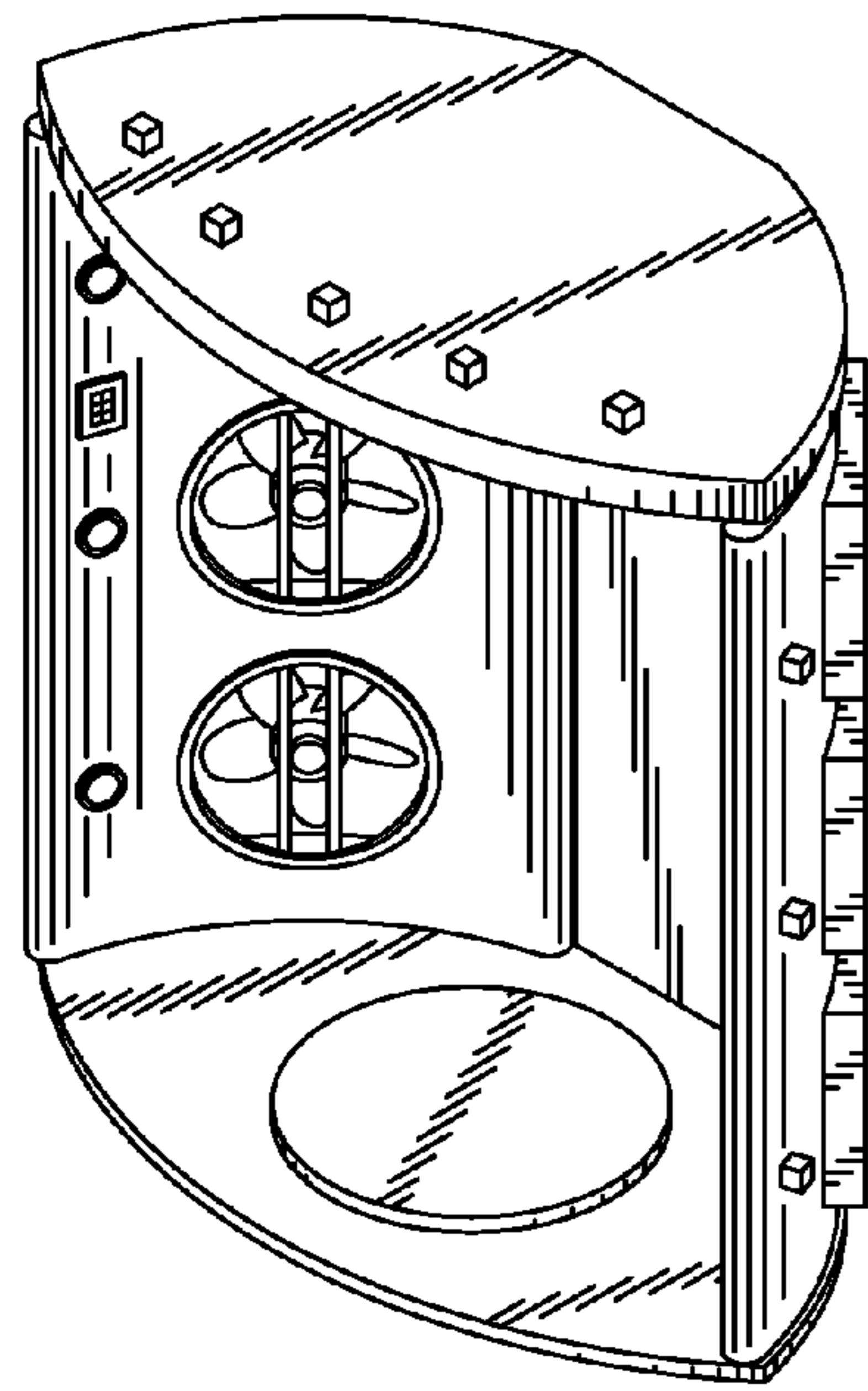


FIG. 1

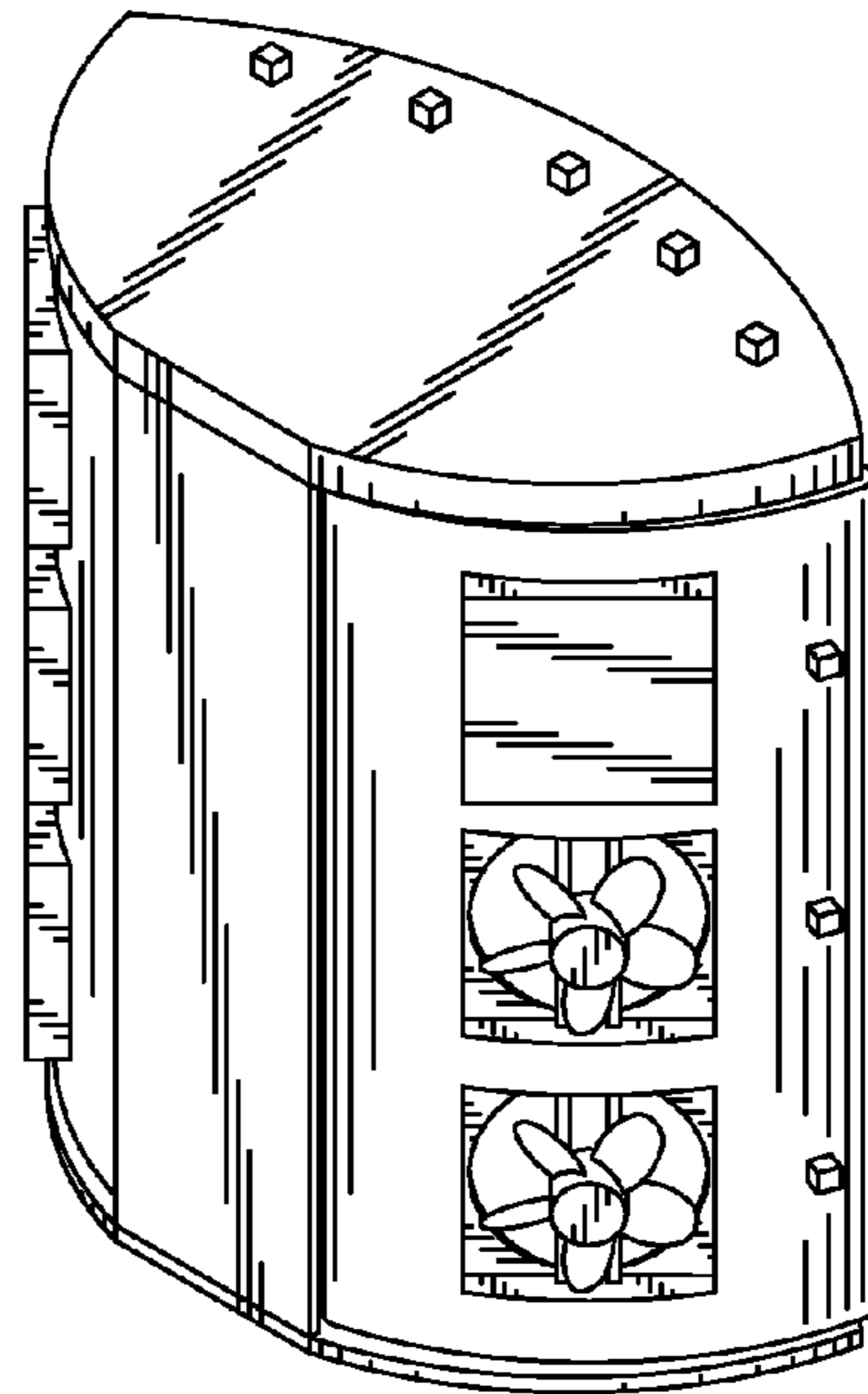


FIG. 2

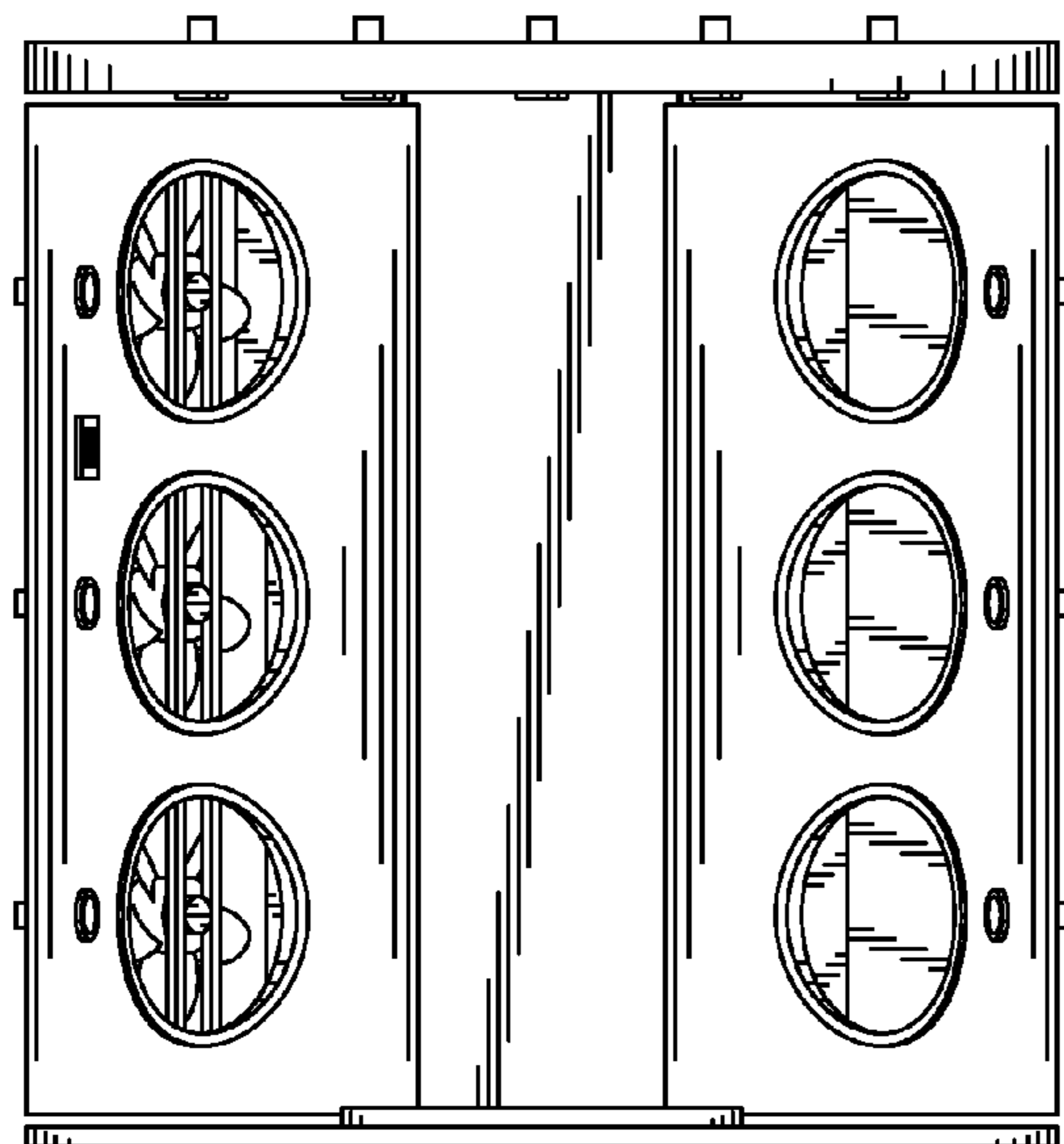


FIG. 3

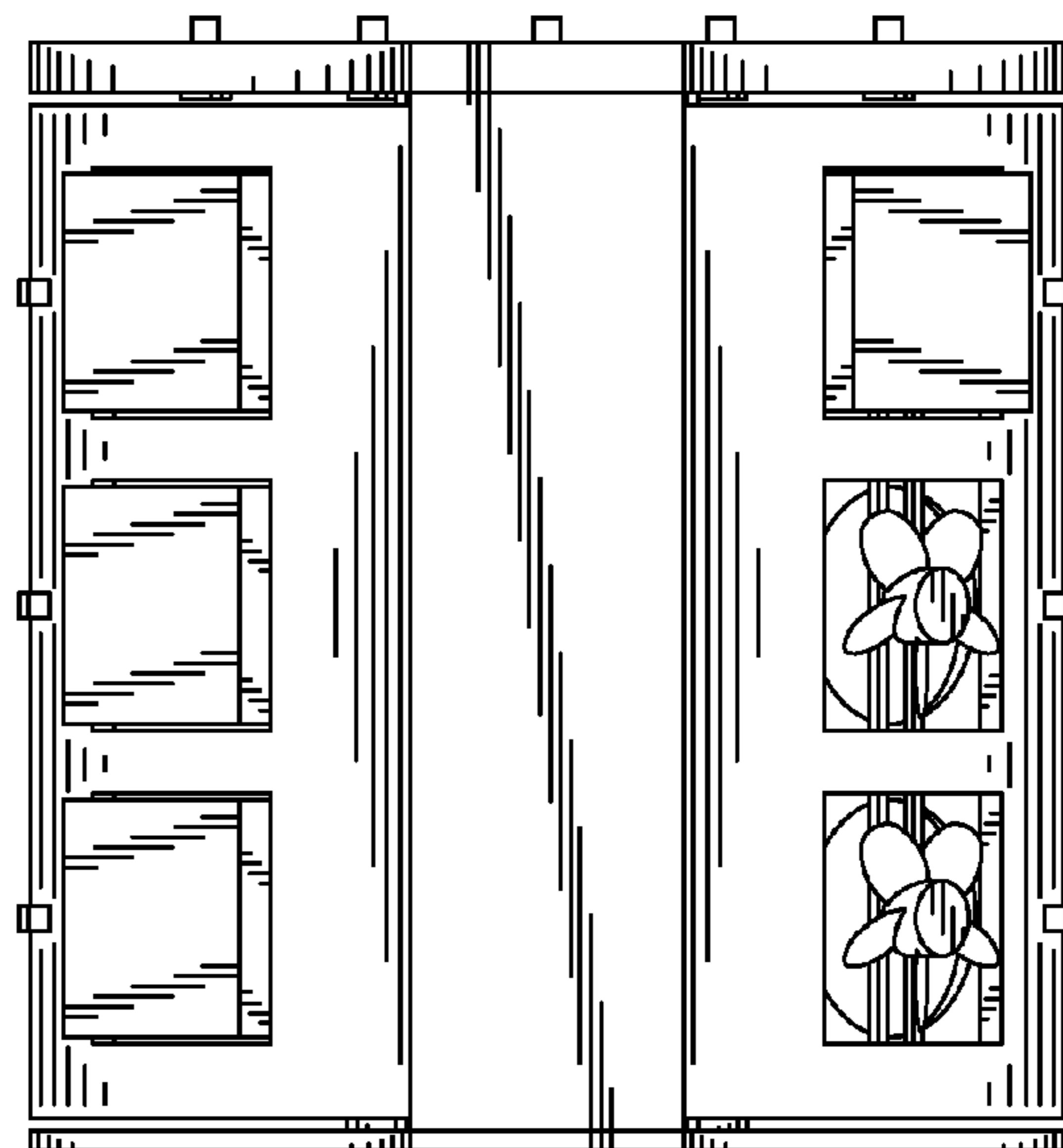


FIG. 4

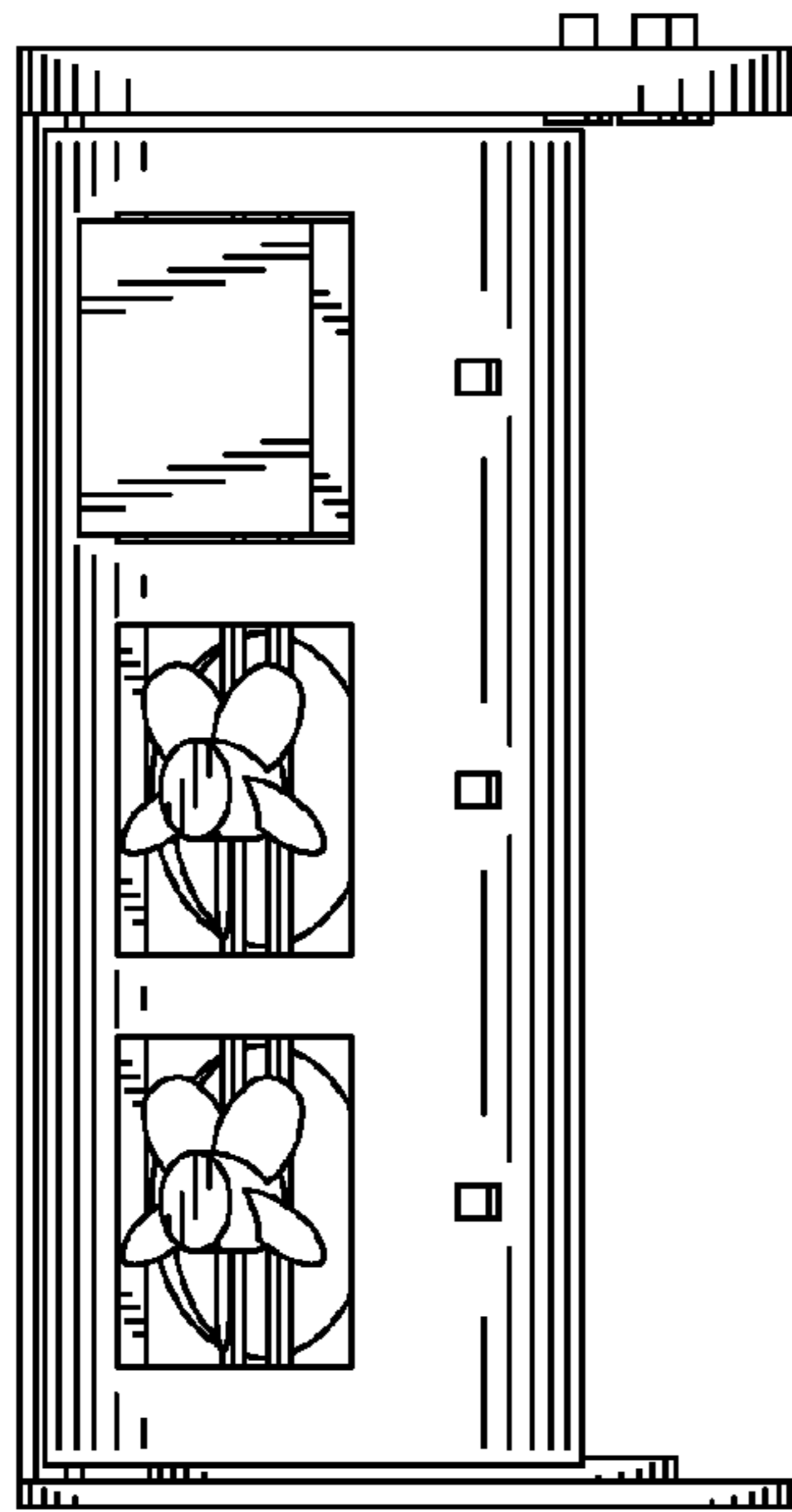


FIG. 5

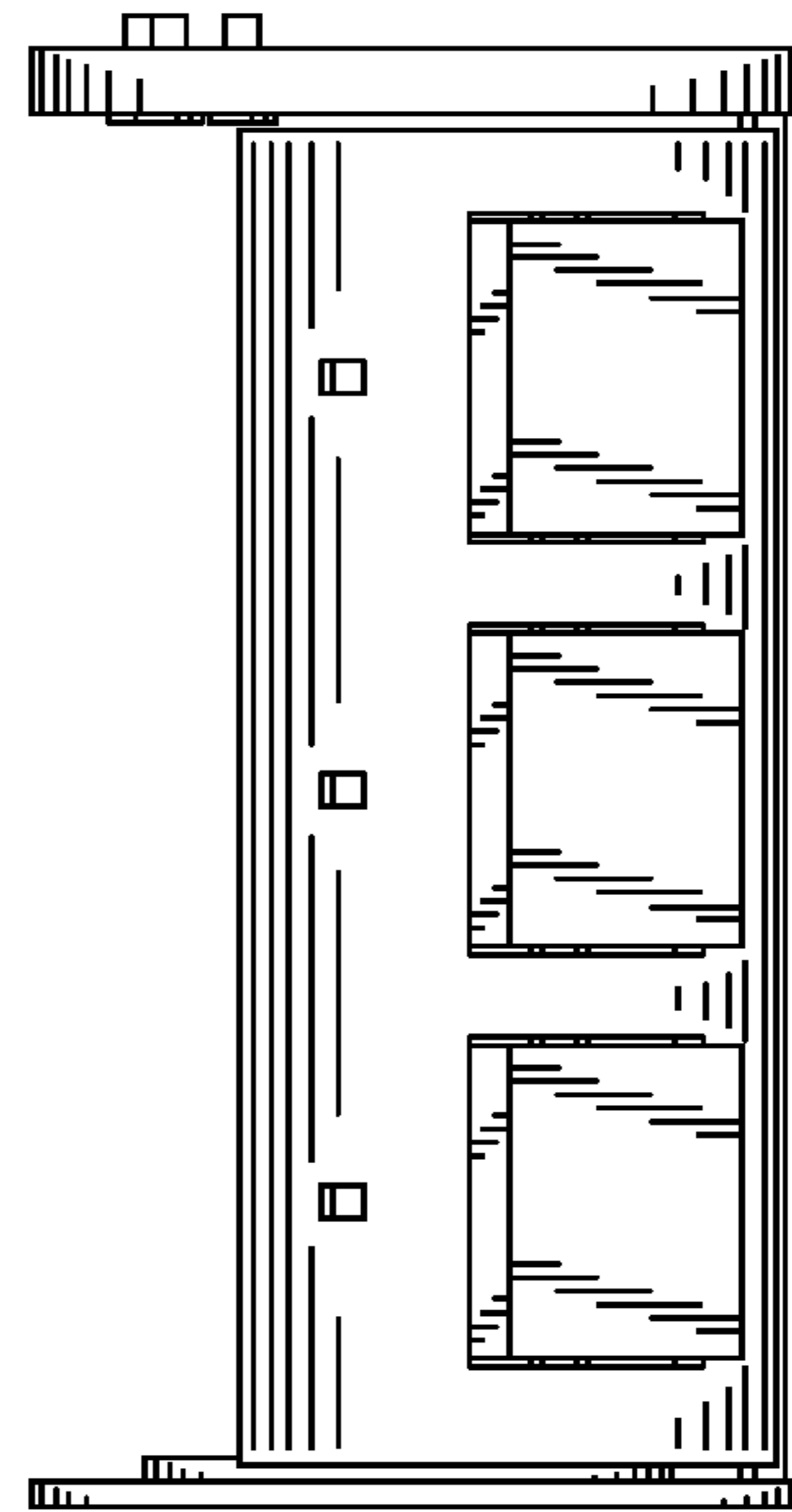


FIG. 6

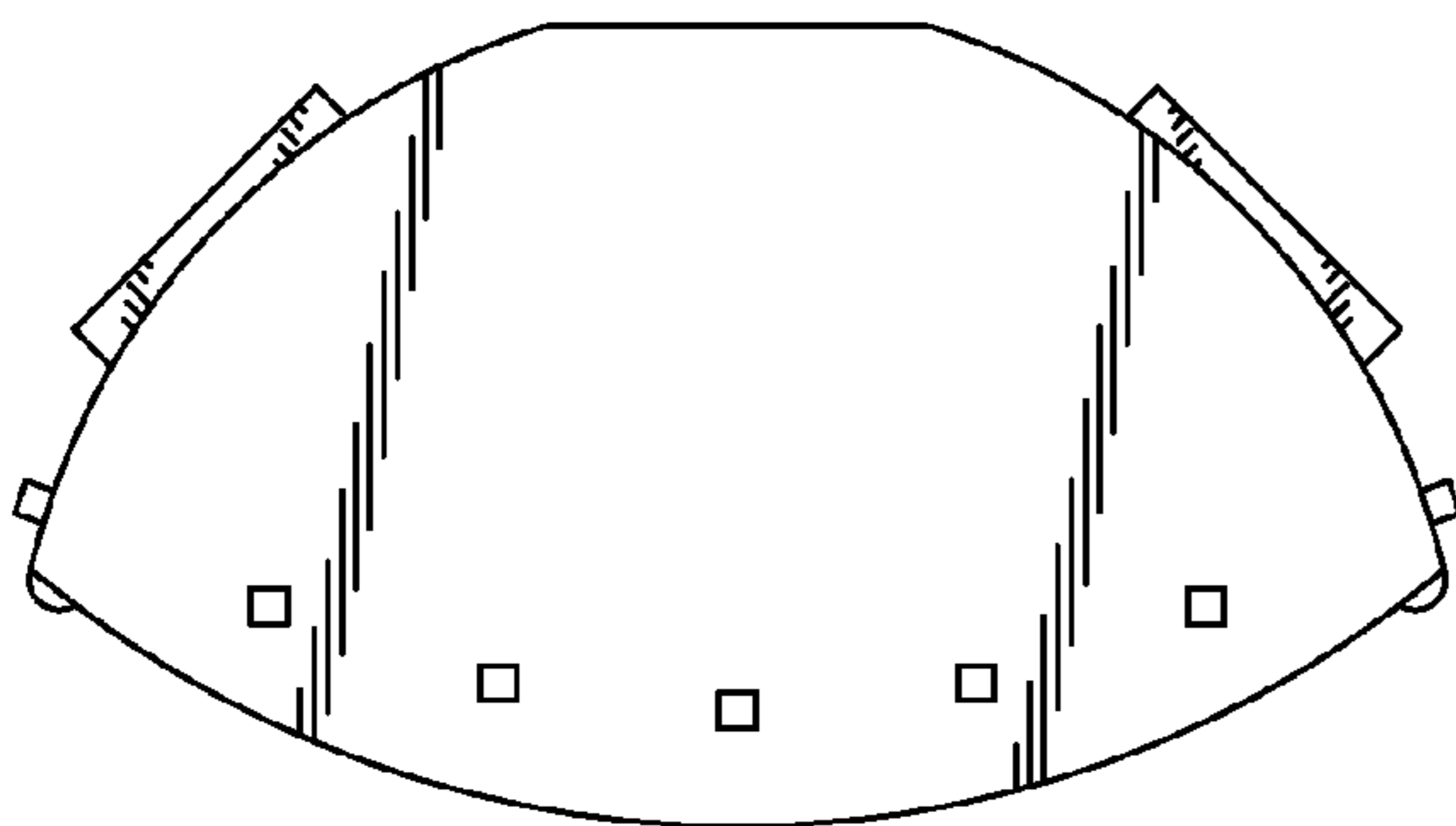


FIG. 7

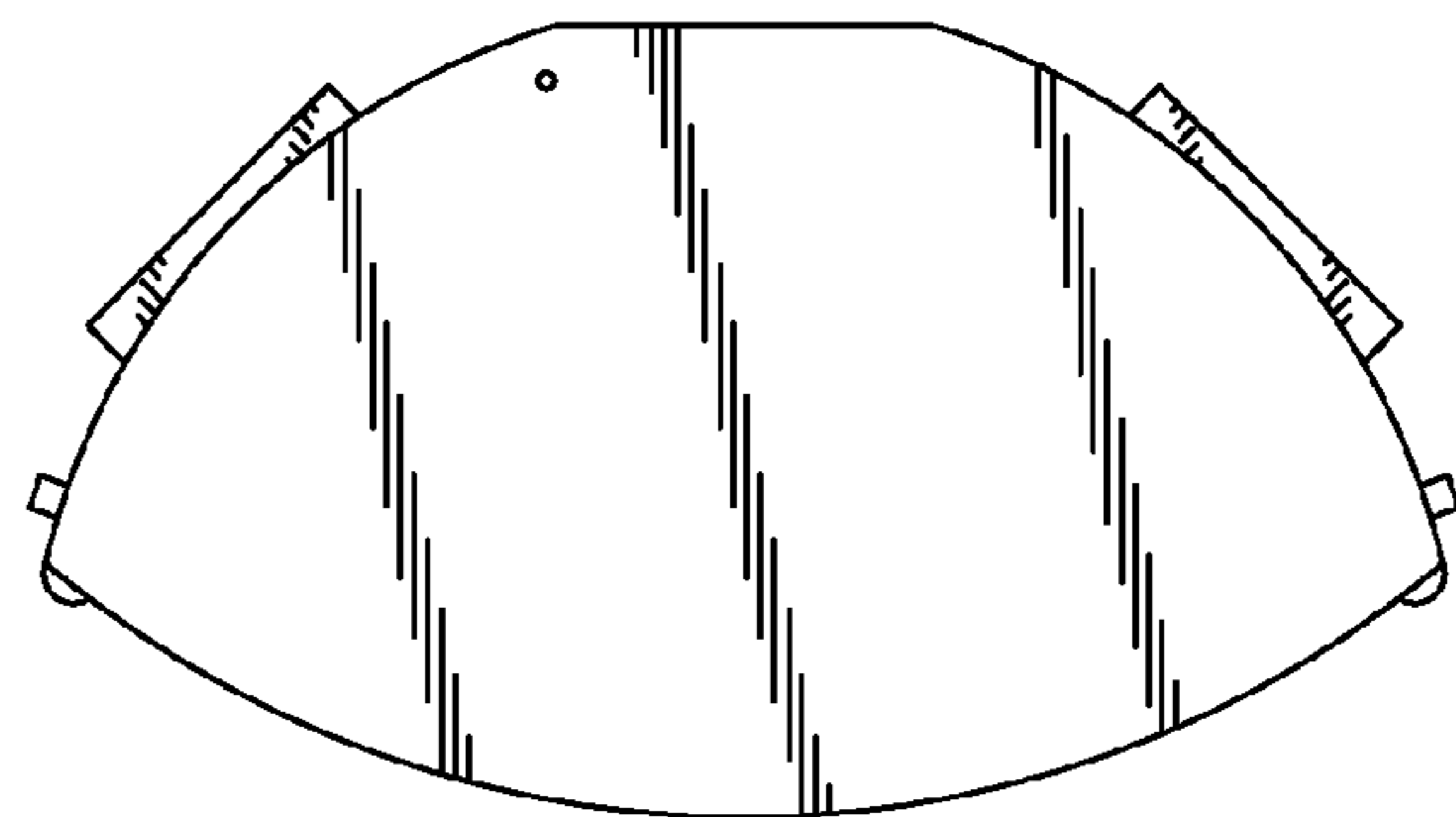


FIG. 8

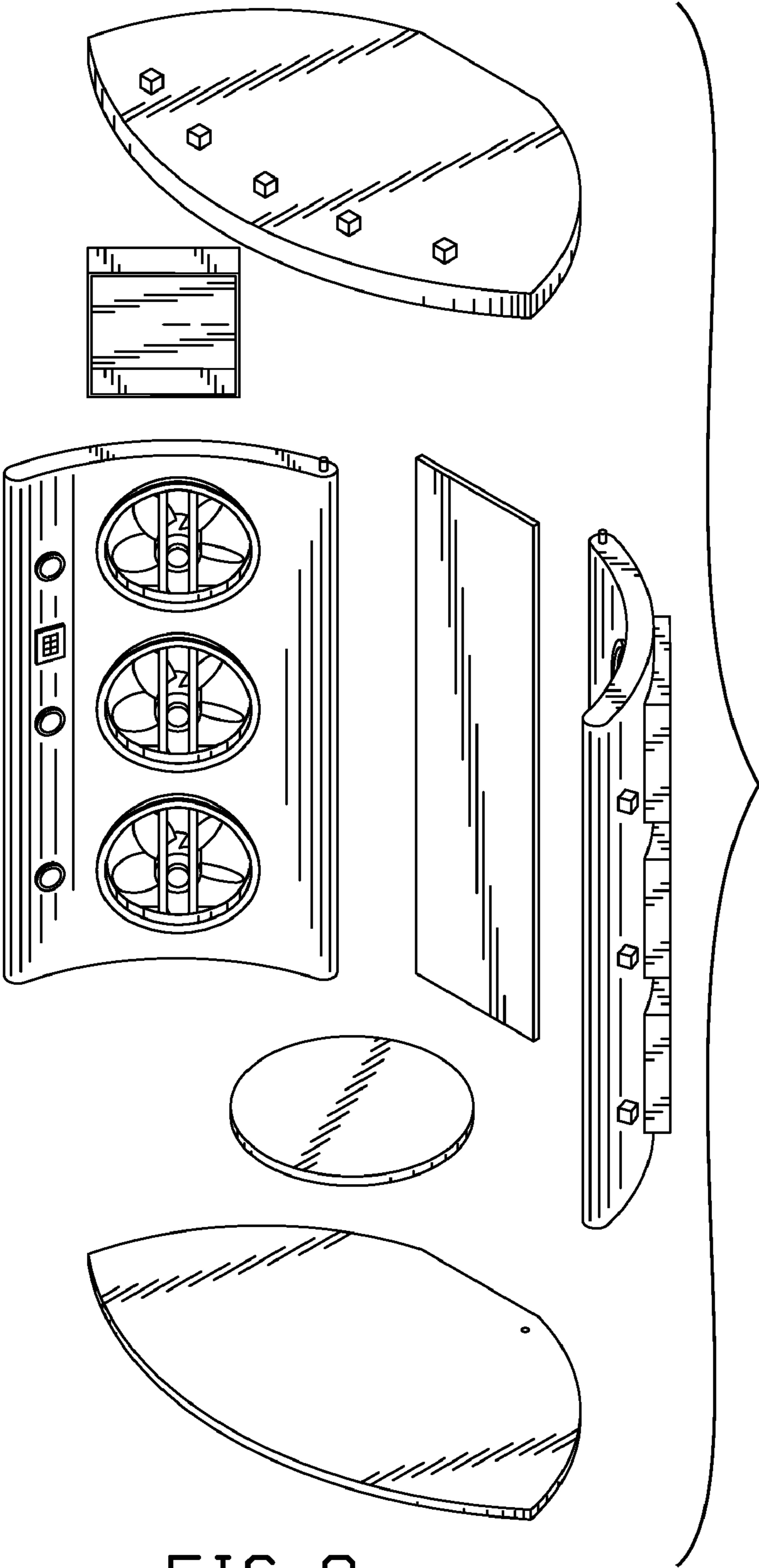


FIG. 9