



US00D618355S

(12) **United States Design Patent**
Delaey

(10) **Patent No.:** **US D618,355 S**
(45) **Date of Patent:** **** Jun. 22, 2010**

(54) **DIAGNOSIS APPARATUS READER**

(75) Inventor: **Tom Philippe Jean-Jacques Delaey,**
Mol (BE)

(73) Assignee: **Koninklijke Philips Electronics N.V.,**
Eindhoven (NL)

(**) Term: **14 Years**

(21) Appl. No.: **29/328,271**

(22) Filed: **Nov. 21, 2008**

(30) **Foreign Application Priority Data**

May 22, 2008 (EM) 000938279-0001

(51) **LOC (9) Cl.** **24-01**

(52) **U.S. Cl.** **D24/185**

(58) **Field of Classification Search** D24/107,
D24/138, 144, 158, 164, 165, 167, 170, 186,
D24/231, 232; D14/203.01, 363, 388, 498;
128/900, 902; 422/1, 61, 68.1, 99-104, 129;
600/300, 301, 368, 372, 481, 529, 544, 554,
600/561; D10/46, 75, 81

See application file for complete search history.

(56) **References Cited**

U.S. PATENT DOCUMENTS

D302,205 S * 7/1989 Whitley D24/186
D427,315 S * 6/2000 Saltzstein et al. D24/186
D437,414 S * 2/2001 Kern et al. D24/165
D446,306 S * 8/2001 Ochi et al. D24/167

D489,722 S * 5/2004 Matuschek D14/388
D489,816 S * 5/2004 Ross D24/107
D490,516 S * 5/2004 Takahashi et al. D24/107
D534,654 S * 1/2007 Hayamizu D24/144
D535,031 S * 1/2007 Barrett et al. D24/186
D536,795 S * 2/2007 Knieriem et al. D24/186
D573,051 S * 7/2008 Alden et al. D24/232

* cited by examiner

Primary Examiner—T. Chase Nelson
Assistant Examiner—Mark Cavanna

(57) **CLAIM**

The ornamental design for a diagnosis apparatus reader, as shown and described.

DESCRIPTION

FIG. 1 is a perspective view of a diagnosis apparatus reader showing my new design;

FIG. 2 is an enlarged front view thereof;

FIG. 3 is a rear view thereof;

FIG. 4 is a right side view thereof;

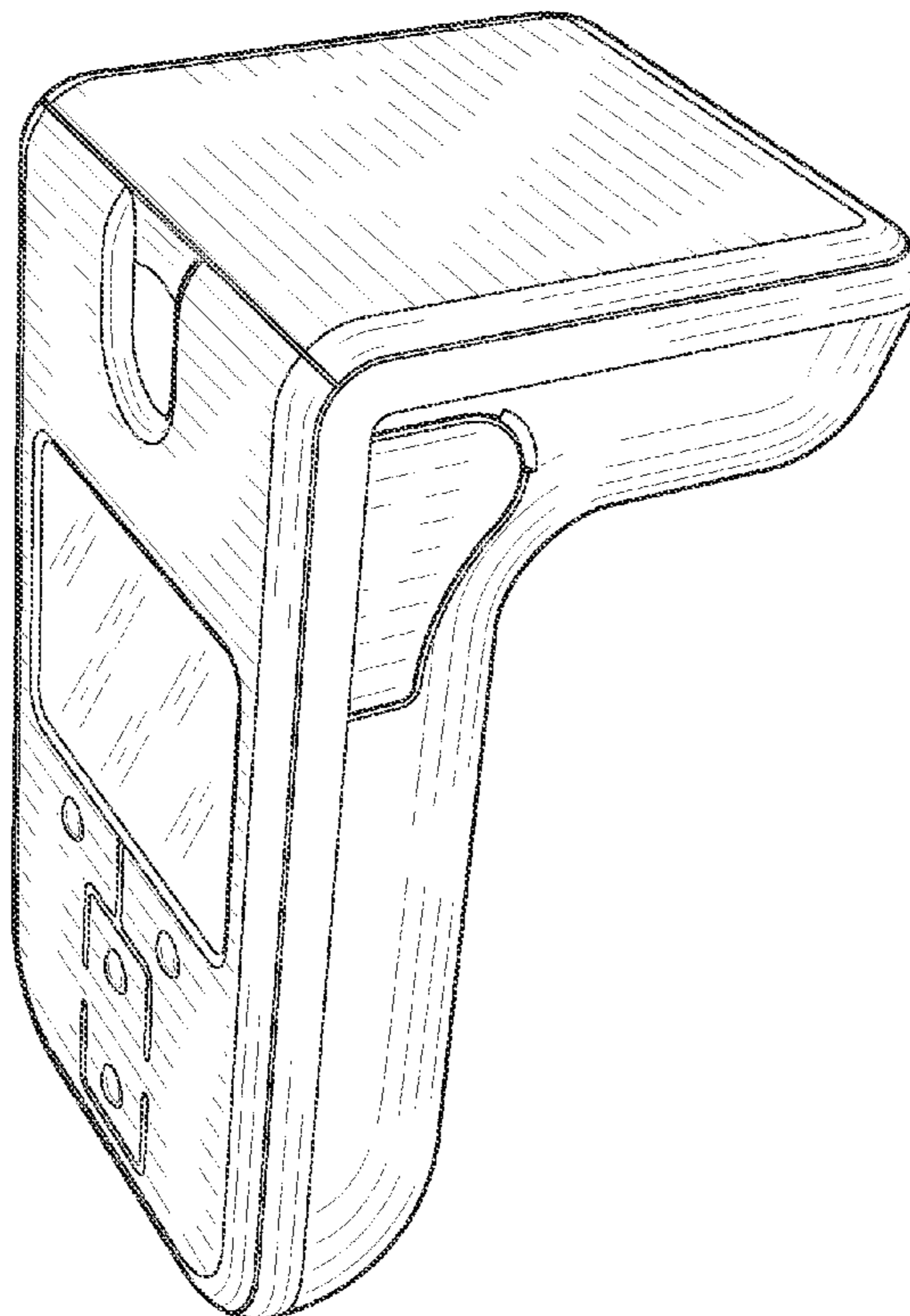
FIG. 5 is a left side view thereof;

FIG. 6 is top view thereof; and,

FIG. 7 is bottom view thereof.

The broken lines shown are included for the purpose of illustrating portions of the diagnosis apparatus reader that form no part of the claimed design.

1 Claim, 4 Drawing Sheets



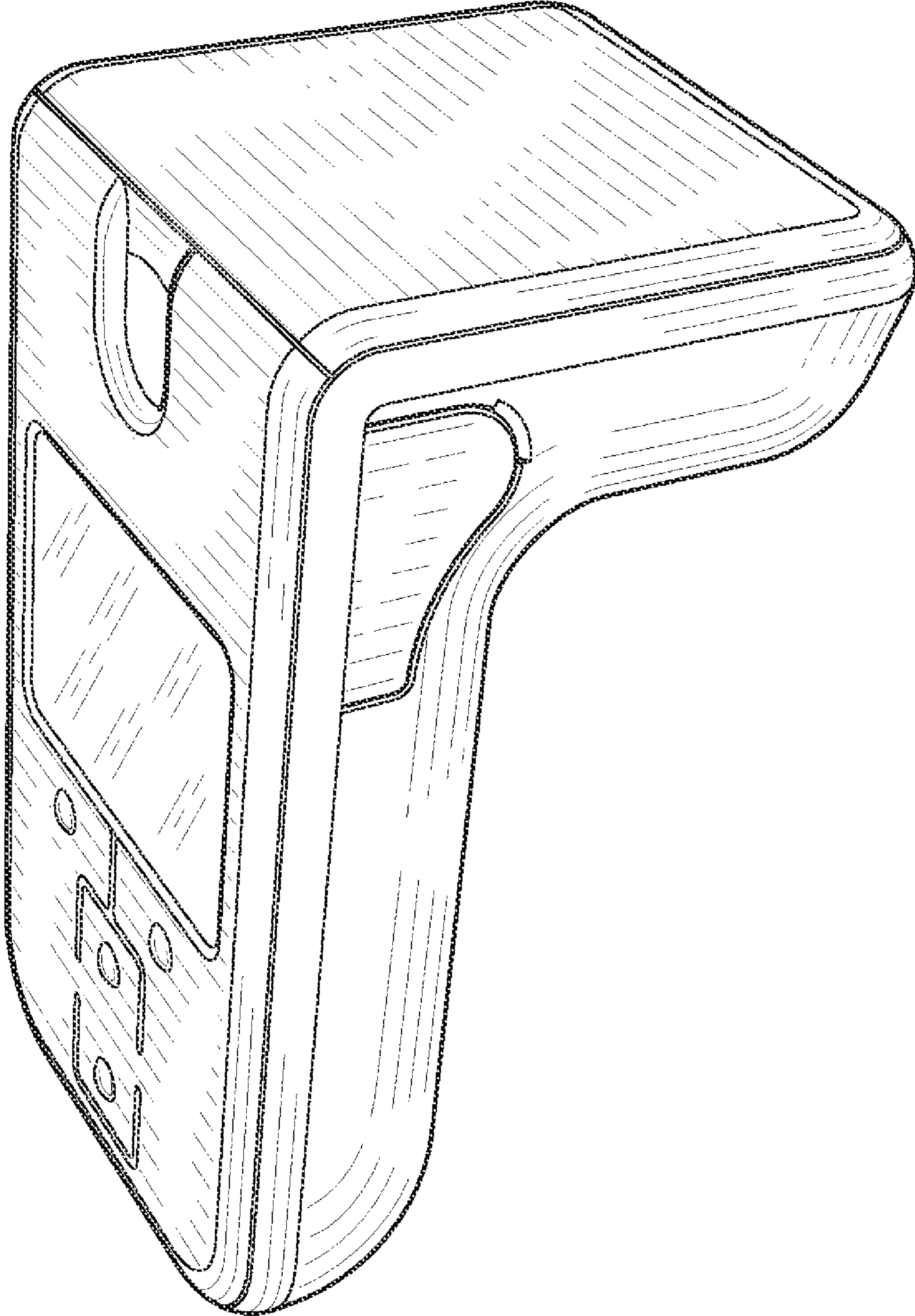


FIG. 1

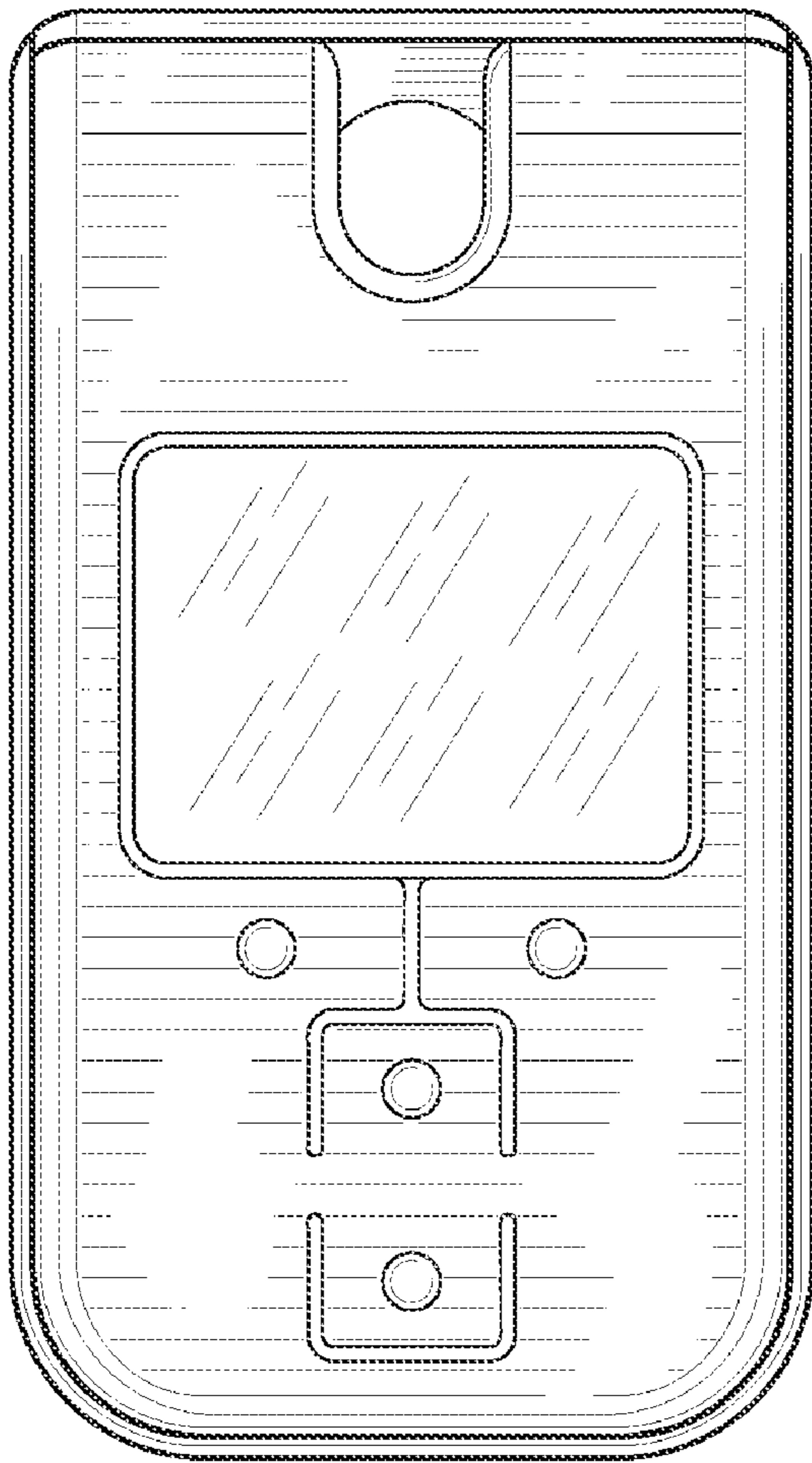


FIG. 2

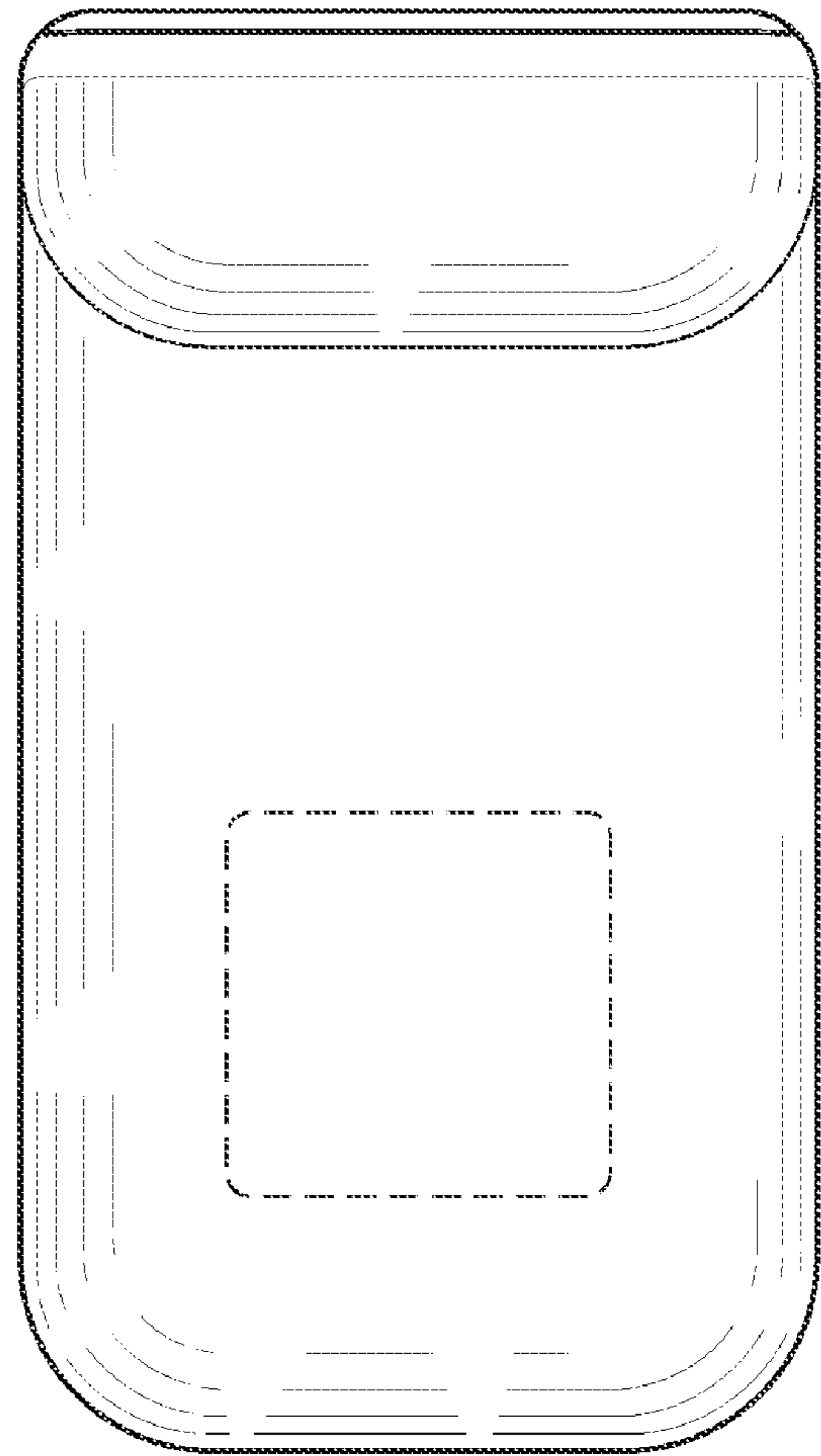


FIG. 3

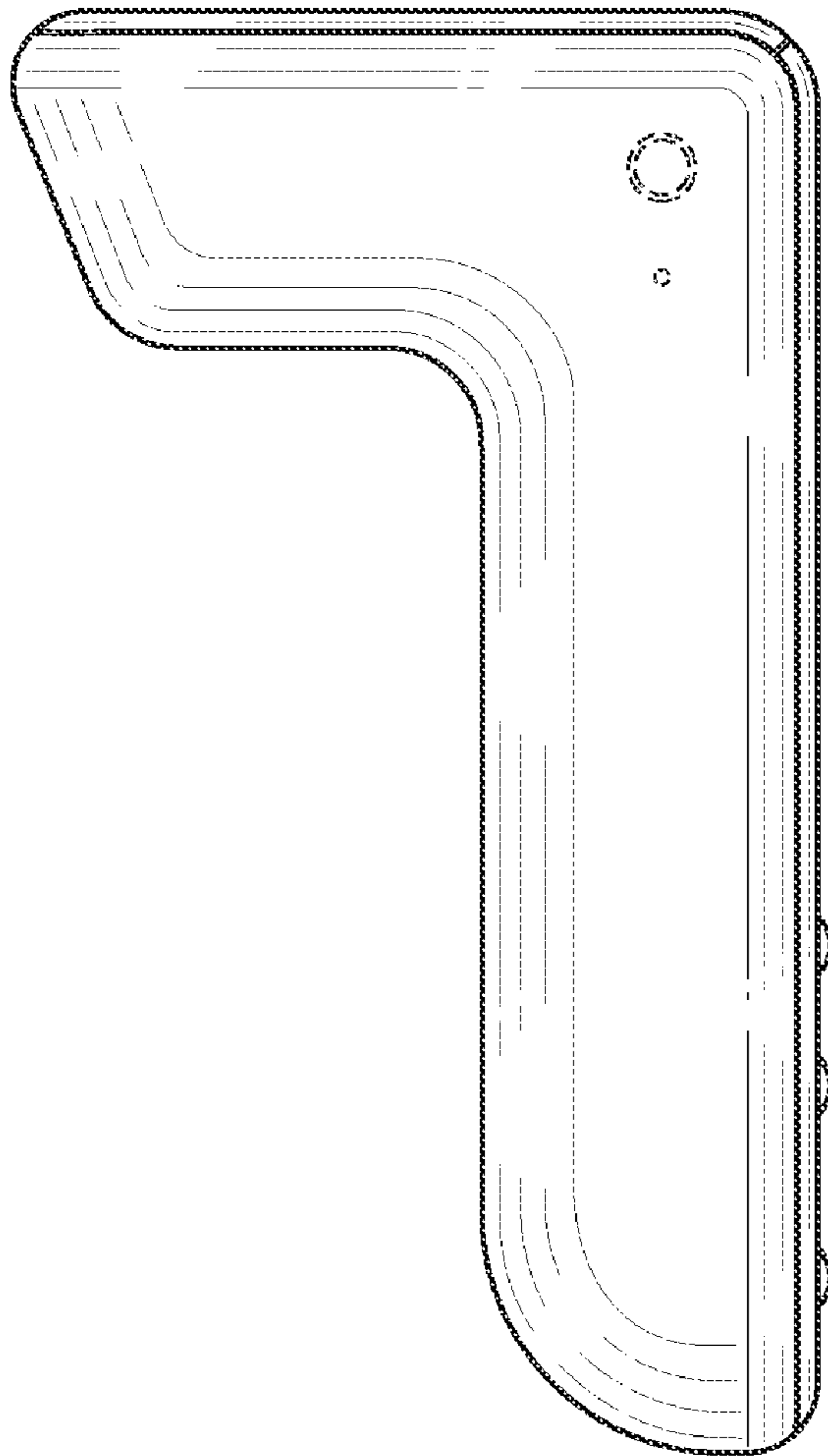


FIG. 4

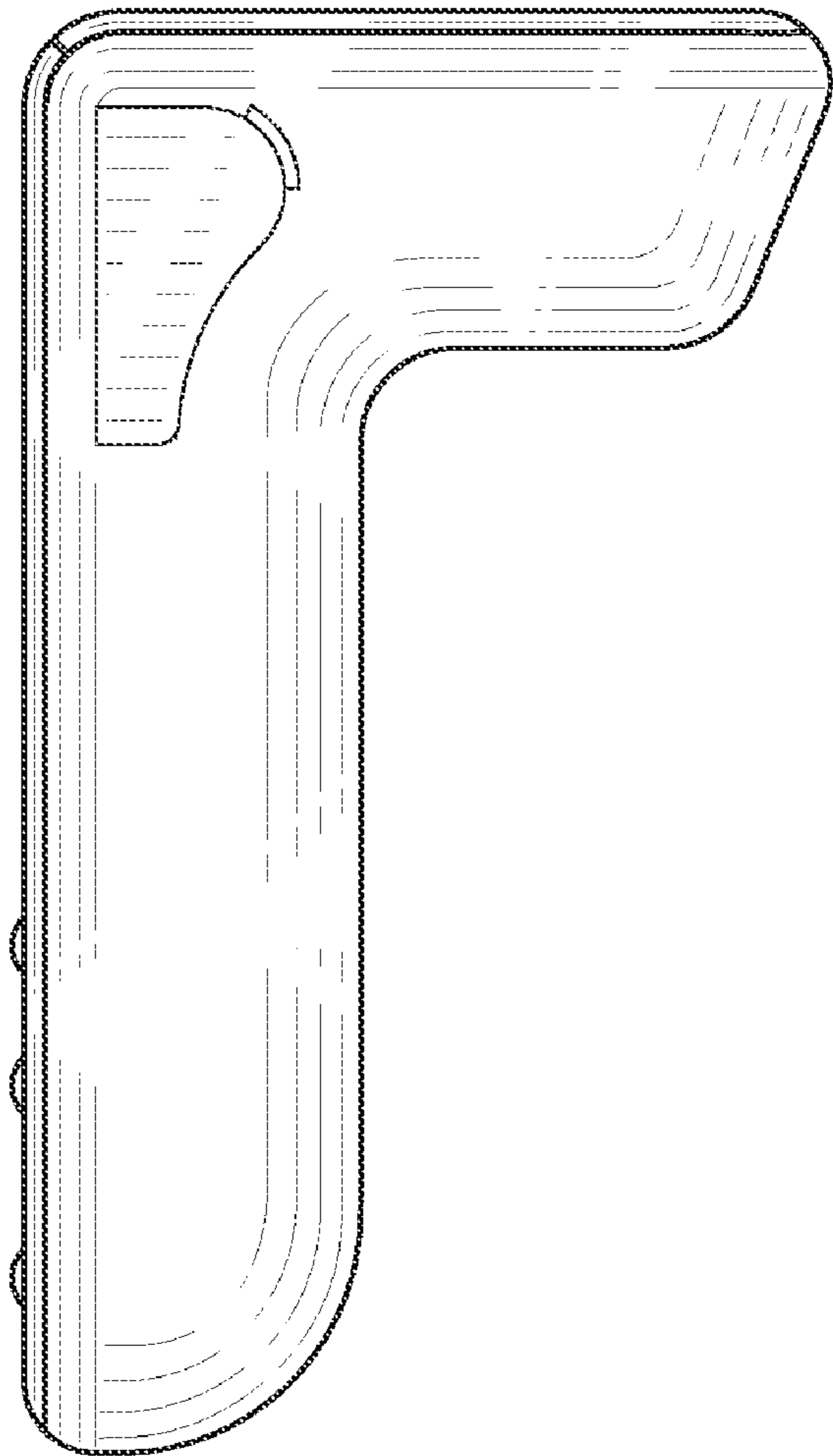


FIG. 5

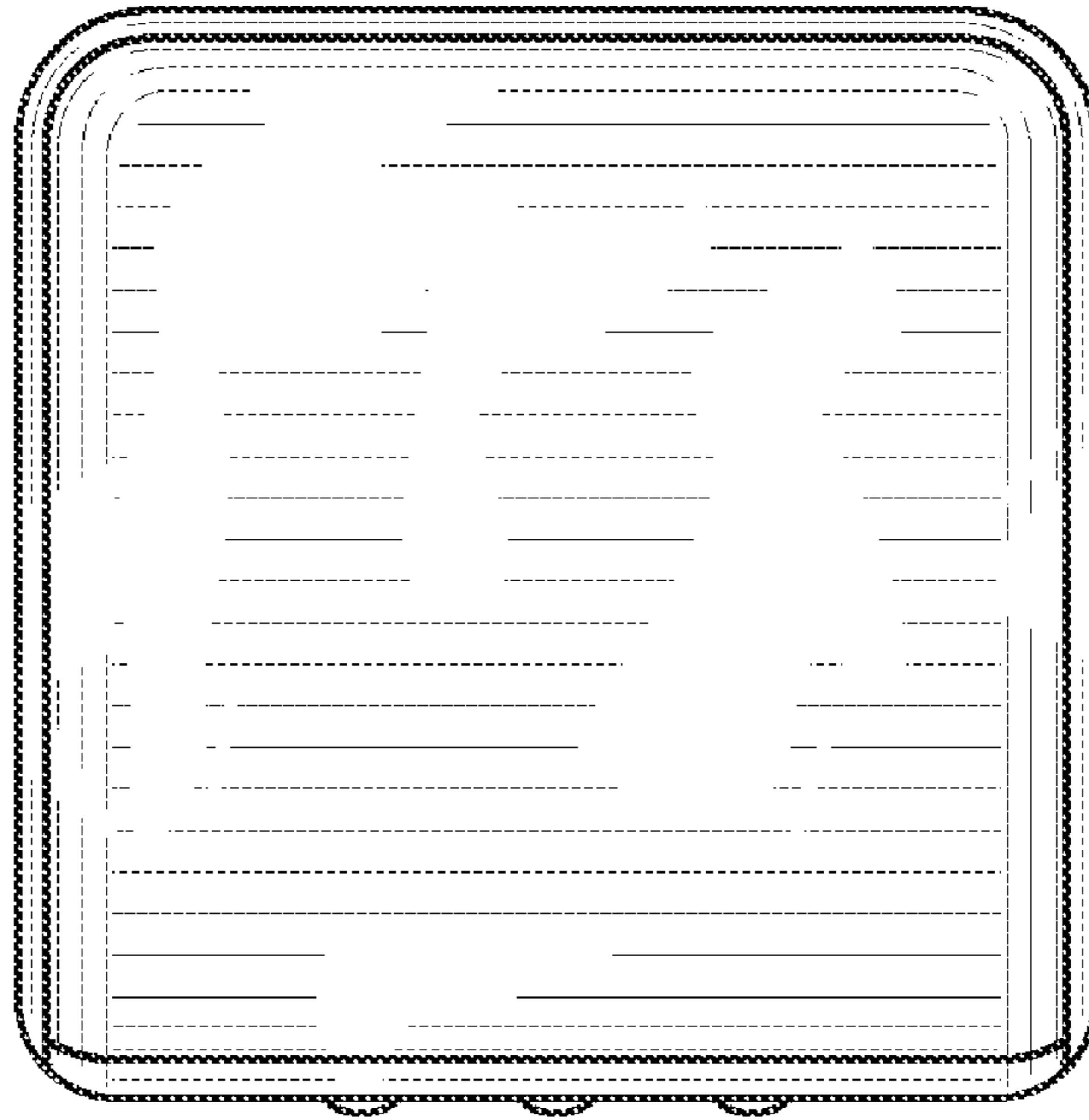


FIG. 6

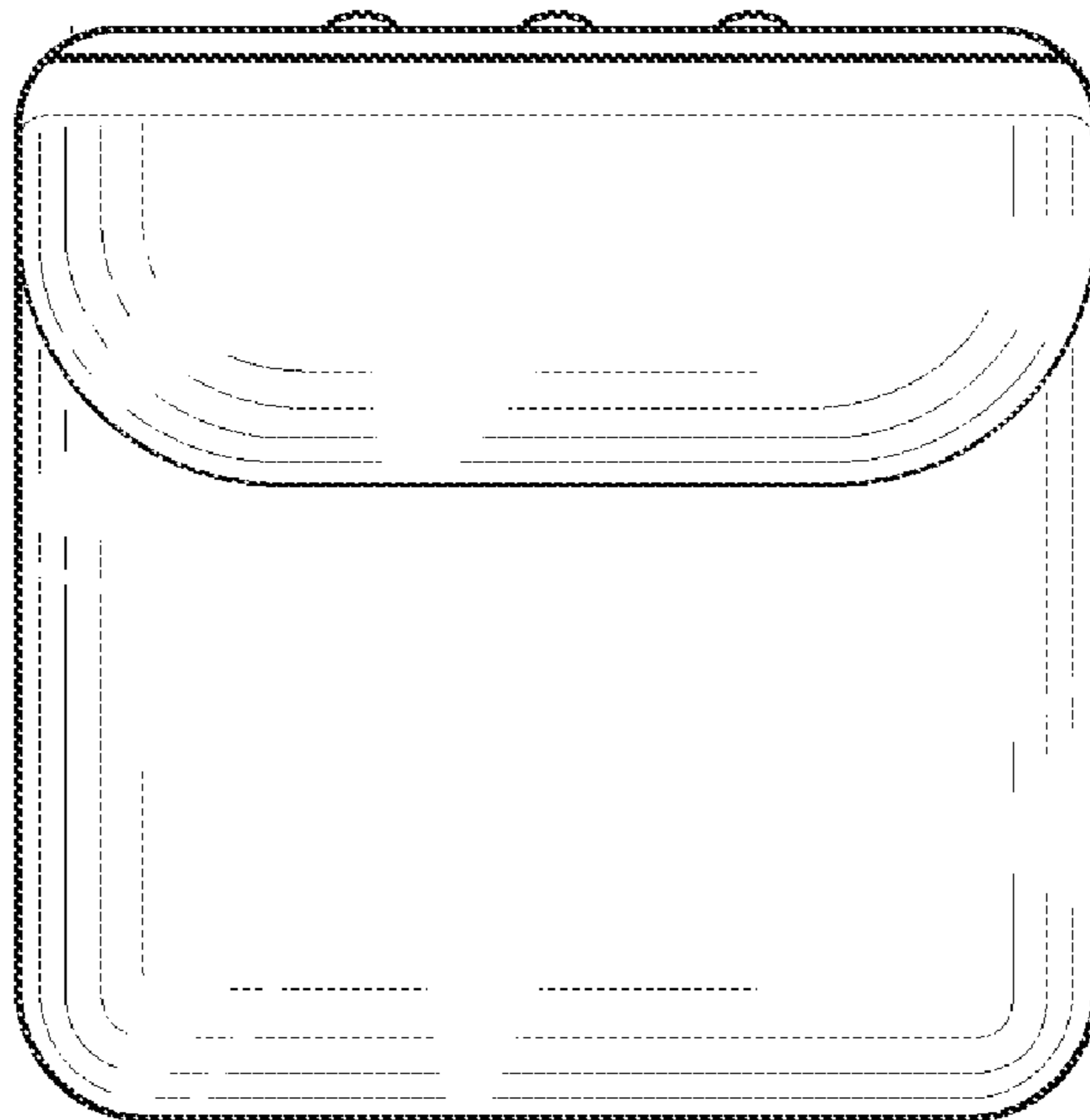


FIG. 7