



US00D618354S

(12) **United States Design Patent**
Francucci et al.

(10) **Patent No.:** **US D618,354 S**
(45) **Date of Patent:** **** Jun. 22, 2010**

(54) **THERAPEUTIC PILLOW**

(76) Inventors: **Catherine A. Francucci**, 1007 Durham Rd., Madison, CT (US) 06443; **Connie K. Kam**, 376 3rd St., Brooklyn, NY (US) 11215

(**) Term: **14 Years**

(21) Appl. No.: **29/348,037**

(22) Filed: **Nov. 19, 2009**

(51) **LOC (9) Cl.** **24-02**

(52) **U.S. Cl.** **D24/183**

(58) **Field of Classification Search** D24/183,
D24/184, 190, 159; D12/128, 133; D6/382,
D6/406.5, 596, 601, 604, 633, 652; 5/81,
5/1 HS, 428, 625, 627, 630, 634, 636, 644-645,
5/925

See application file for complete search history.

(56) **References Cited**

U.S. PATENT DOCUMENTS

D246,816 S *	1/1978	Tam et al.	D6/596
D271,647 S *	12/1983	McLeod	D6/596
D309,542 S *	7/1990	Glenn	5/652
D318,923 S *	8/1991	Marsh	D24/183
D328,349 S *	7/1992	Waldrop	D24/183
D375,557 S *	11/1996	Dixon	D24/183
D384,850 S *	10/1997	Fanuzzi	D6/601
D396,771 S *	8/1998	Iannuzzi	D6/596
D461,900 S *	8/2002	Siepmann et al.	D24/184
D496,105 S *	9/2004	Walters et al.	D24/183
D502,350 S *	3/2005	O'Reagan	D6/596

D543,064 S *	5/2007	Hale	D6/596
D543,407 S *	5/2007	Thom	D6/604
D566,448 S *	4/2008	Ridder	D6/601
D569,977 S *	5/2008	Luginbuhl et al.	D24/159
D574,960 S *	8/2008	Parrish et al.	D24/184
D578,219 S *	10/2008	Daggett	D24/183
D578,220 S *	10/2008	Ebard	D24/184
D585,139 S *	1/2009	Andrews	D24/184

* cited by examiner

Primary Examiner—T. Chase Nelson

Assistant Examiner—Mark Cavanna

(74) *Attorney, Agent, or Firm*—Melvin I. Stoltz

(57) **CLAIM**

The ornamental design for a therapeutic pillow, as shown and described.

DESCRIPTION

FIG. 1 is a perspective view of the therapeutic pillow showing our new design;

FIG. 2 is a front elevational view thereof;

FIG. 3 is a rear elevational view thereof;

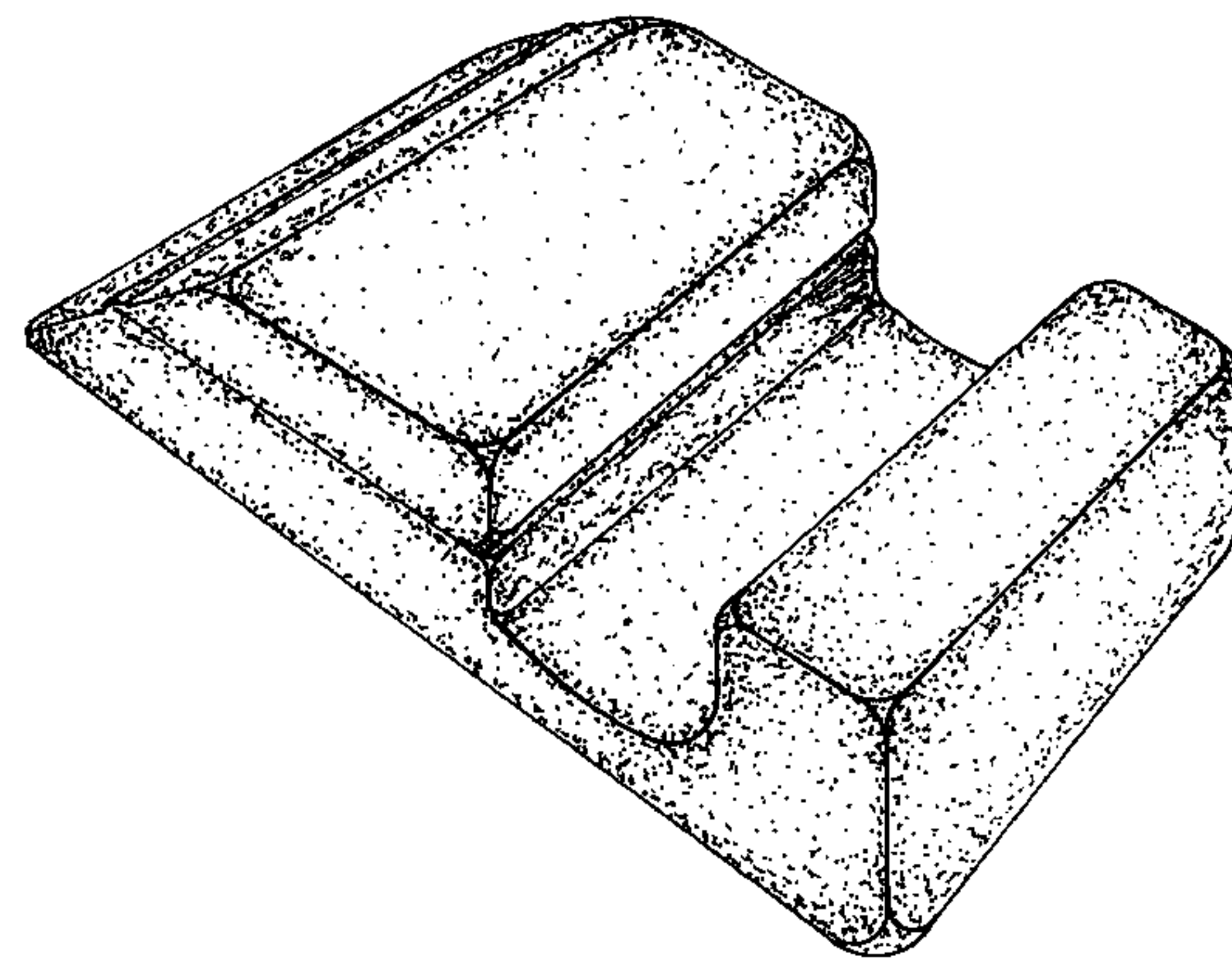
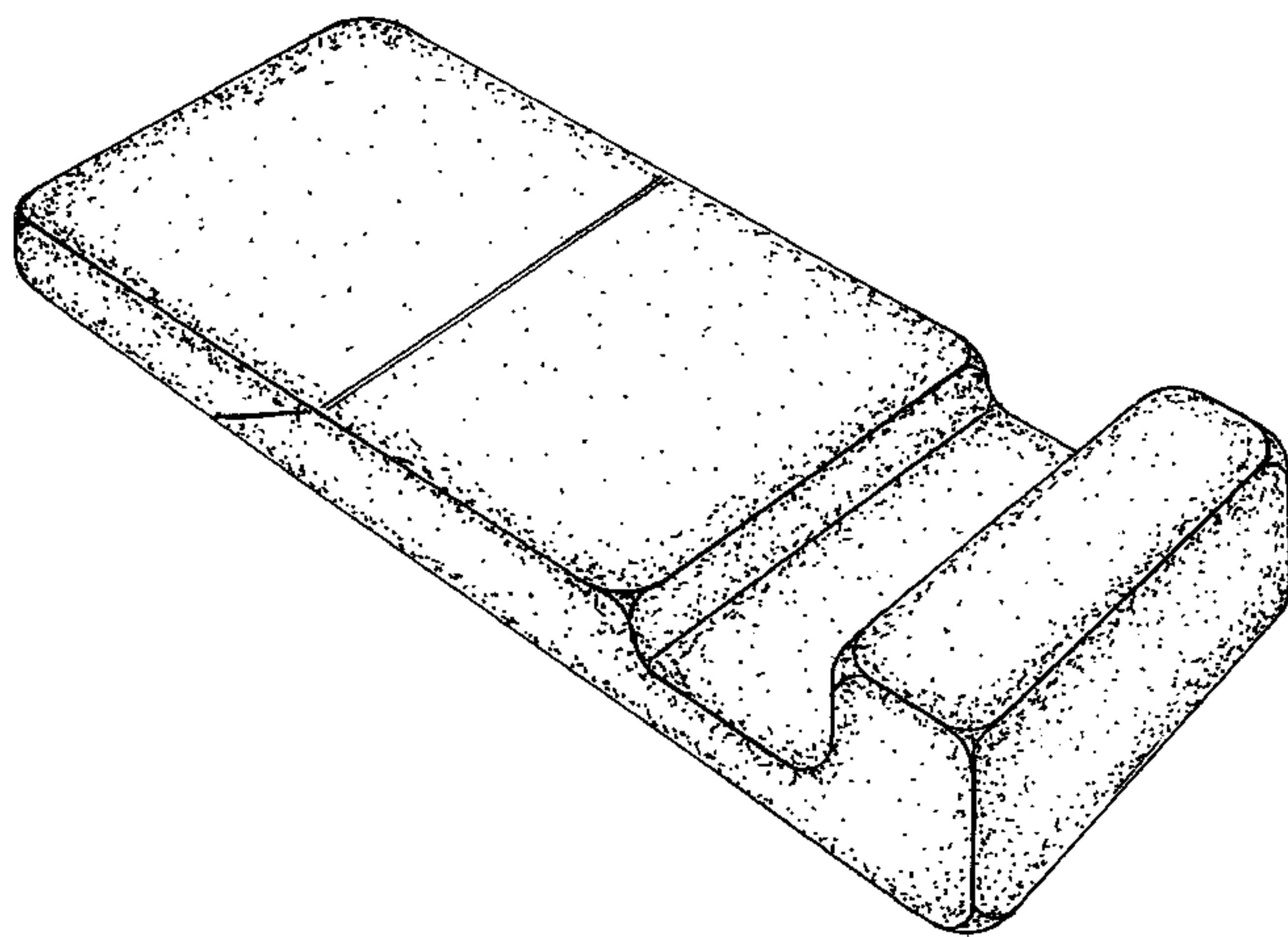
FIG. 4 is a side elevational view thereof, the opposite side being identical in appearance;

FIG. 5 is a top plan view thereof;

FIG. 6 is a bottom plan view thereof; and,

FIG. 7 is a perspective view of the therapeutic pillow showing our design in its folded position.

1 Claim, 3 Drawing Sheets



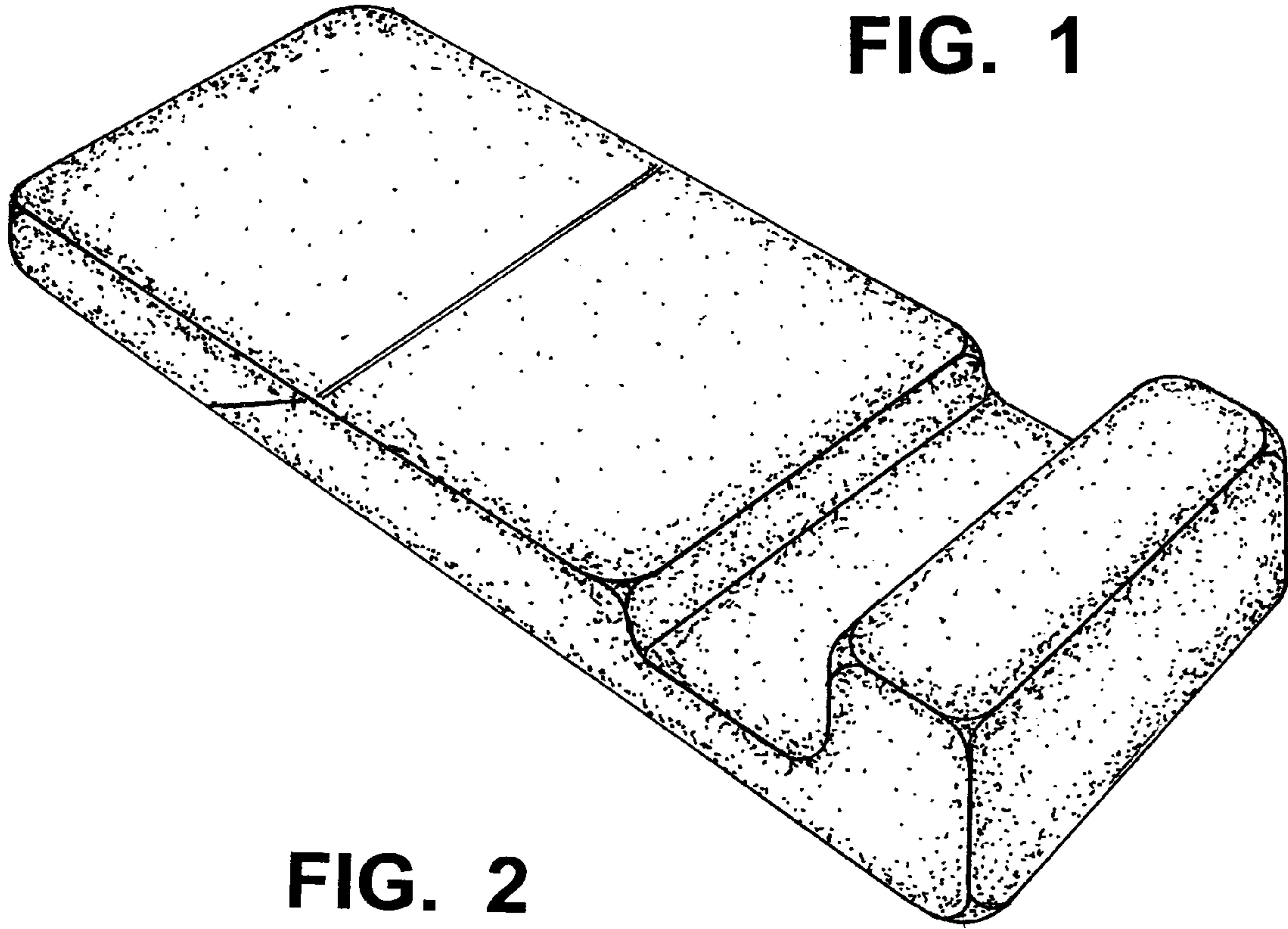


FIG. 2

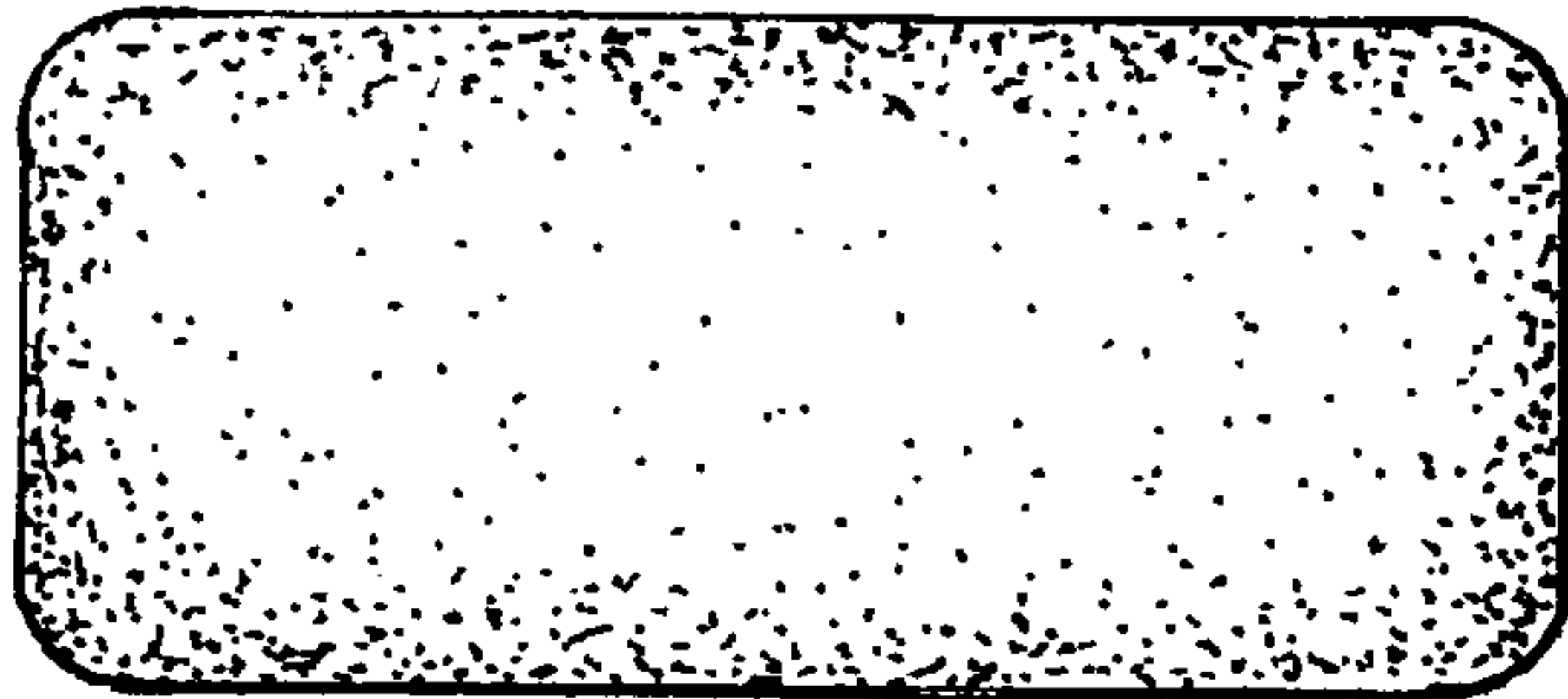


FIG. 3

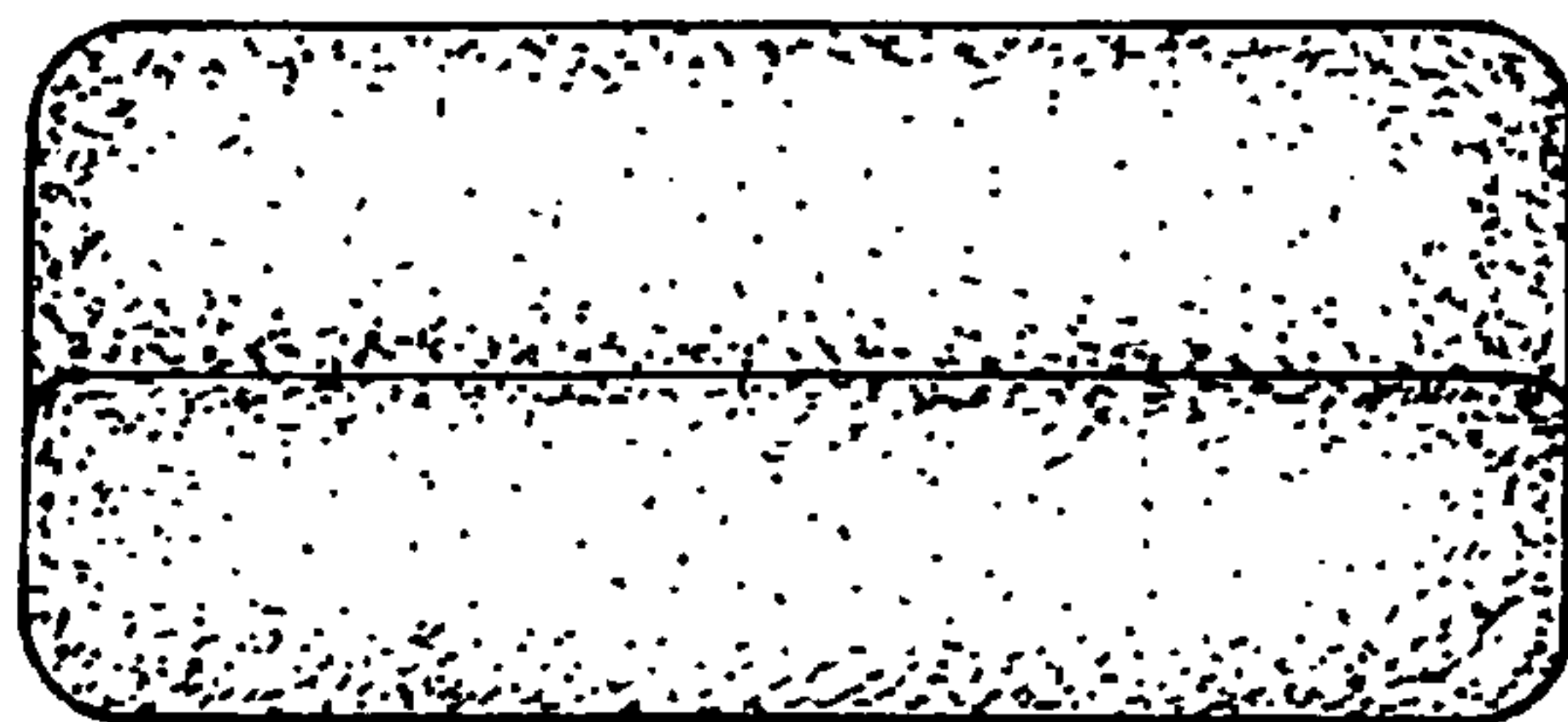


FIG. 4

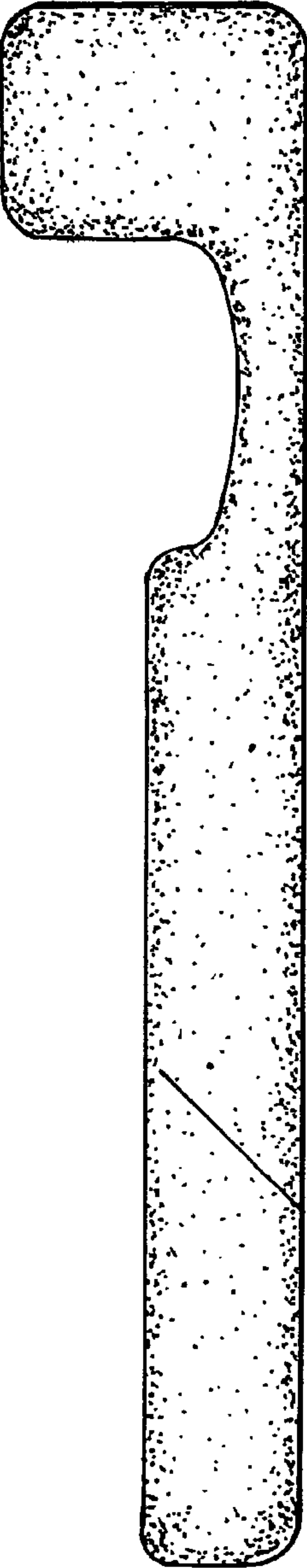


FIG. 7

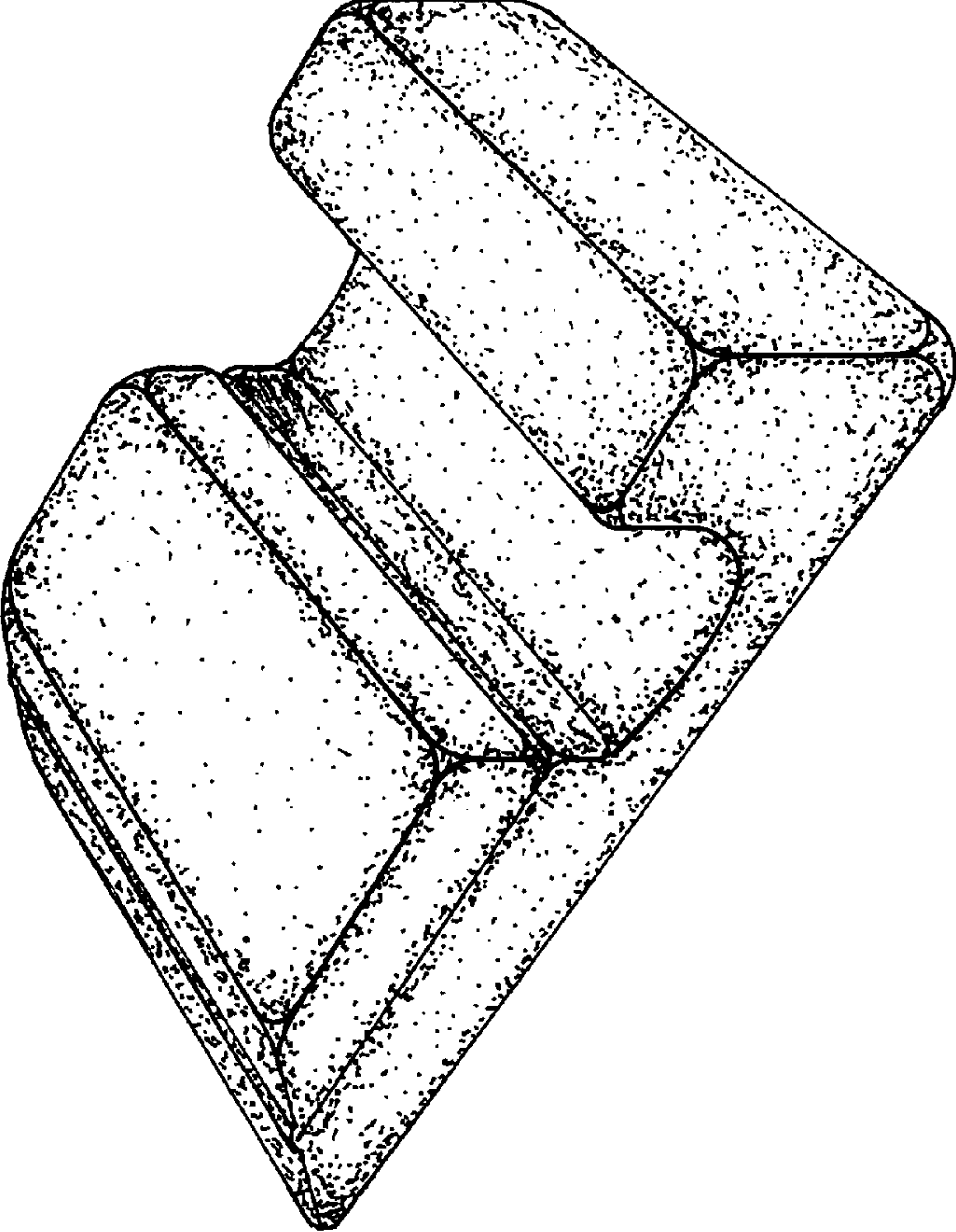


FIG. 5

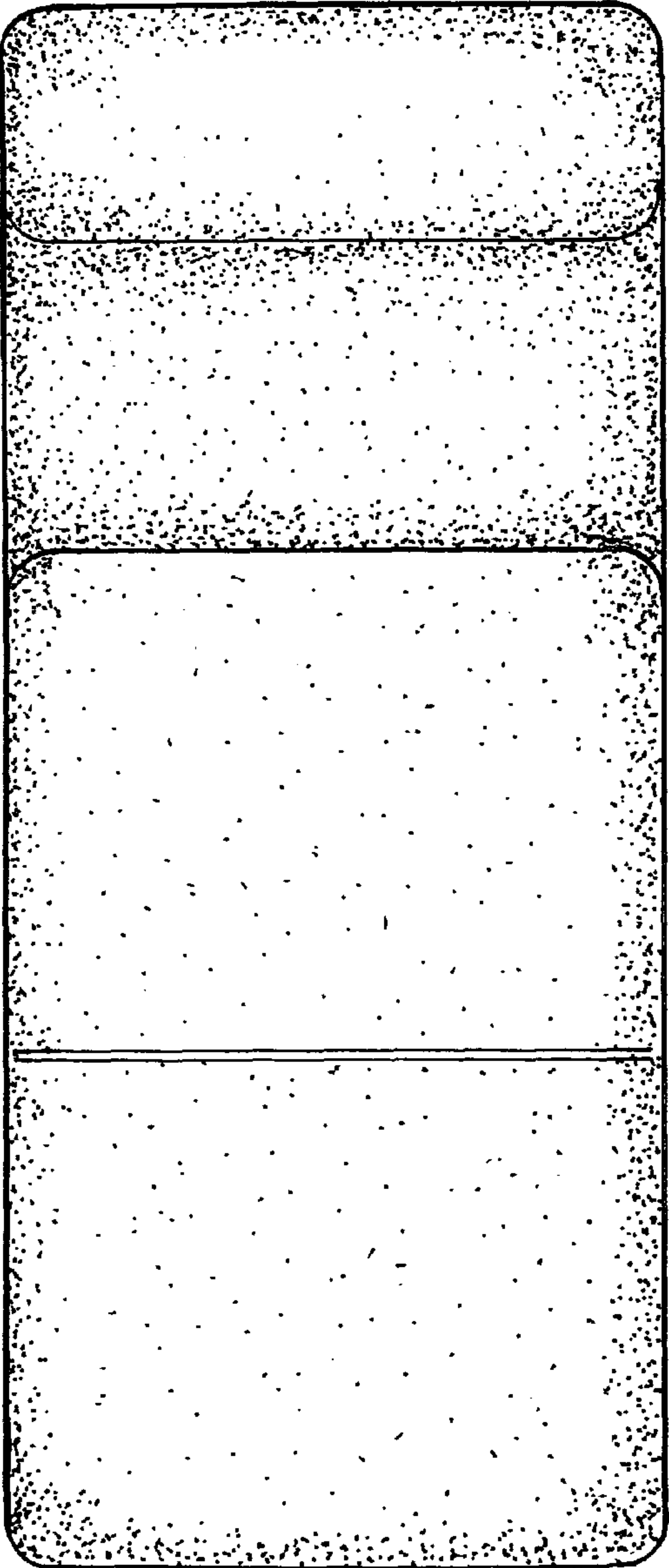


FIG. 6

