



US00D618352S

(12) **United States Design Patent**
Hara

(10) **Patent No.:** **US D618,352 S**
(45) **Date of Patent:** **** Jun. 22, 2010**

(54) **BLOOD PRESSURE MEASURING APPARATUS**

(74) *Attorney, Agent, or Firm*—Greenblum & Bernstein P.L.C.

(75) Inventor: **Shigehito Hara**, Yokohama (JP)

(57) **CLAIM**

(73) Assignee: **Panasonic Electric Works Co., Ltd.**, Osaka (JP)

The ornamental design for a blood pressure measuring apparatus, as shown and described.

(**) Term: **14 Years**

DESCRIPTION

(21) Appl. No.: **29/339,087**

FIG. 1 is a perspective view of the front, right and bottom of a blood pressure measuring apparatus showing our new design;

(22) Filed: **Jun. 24, 2009**

FIG. 2 is a front view thereof;

(30) **Foreign Application Priority Data**

FIG. 3 is a rear view thereof;

Dec. 24, 2008 (JP) 2008-032809

FIG. 4 is a right side view thereof;

(51) **LOC (9) Cl.** **24-02**

FIG. 5 is a left side view thereof;

(52) **U.S. Cl.** **D24/165**

FIG. 6 is a top plan view thereof;

(58) **Field of Classification Search** D24/164–169, D24/186; D10/98; 600/301, 481, 483–485, 600/490, 493–495, 499, 500, 501; 128/900
See application file for complete search history.

FIG. 7 is a bottom view thereof;

FIG. 8 is a cross sectional view at 8—8 in FIG. 2 thereof;

FIG. 9 is a cross sectional view at 9—9 in FIG. 2 thereof;

(56) **References Cited**

FIG. 10 is a perspective view showing the cover only thereof;

U.S. PATENT DOCUMENTS

FIG. 11 is a reference view with a cover in open condition thereof; and,

D262,318 S * 12/1981 Koshino D24/165
D277,133 S * 1/1985 Houlihan D24/165

FIG. 12 is a reference perspective view showing a halftone depicting the translucent portion of the otherwise transparent claimed design. While this division of transparent and translucent portions has not been shown in all views for clarity of illustration, this delineation between translucent and transparent is understood to be present in all of the preceding figure views.

(Continued)

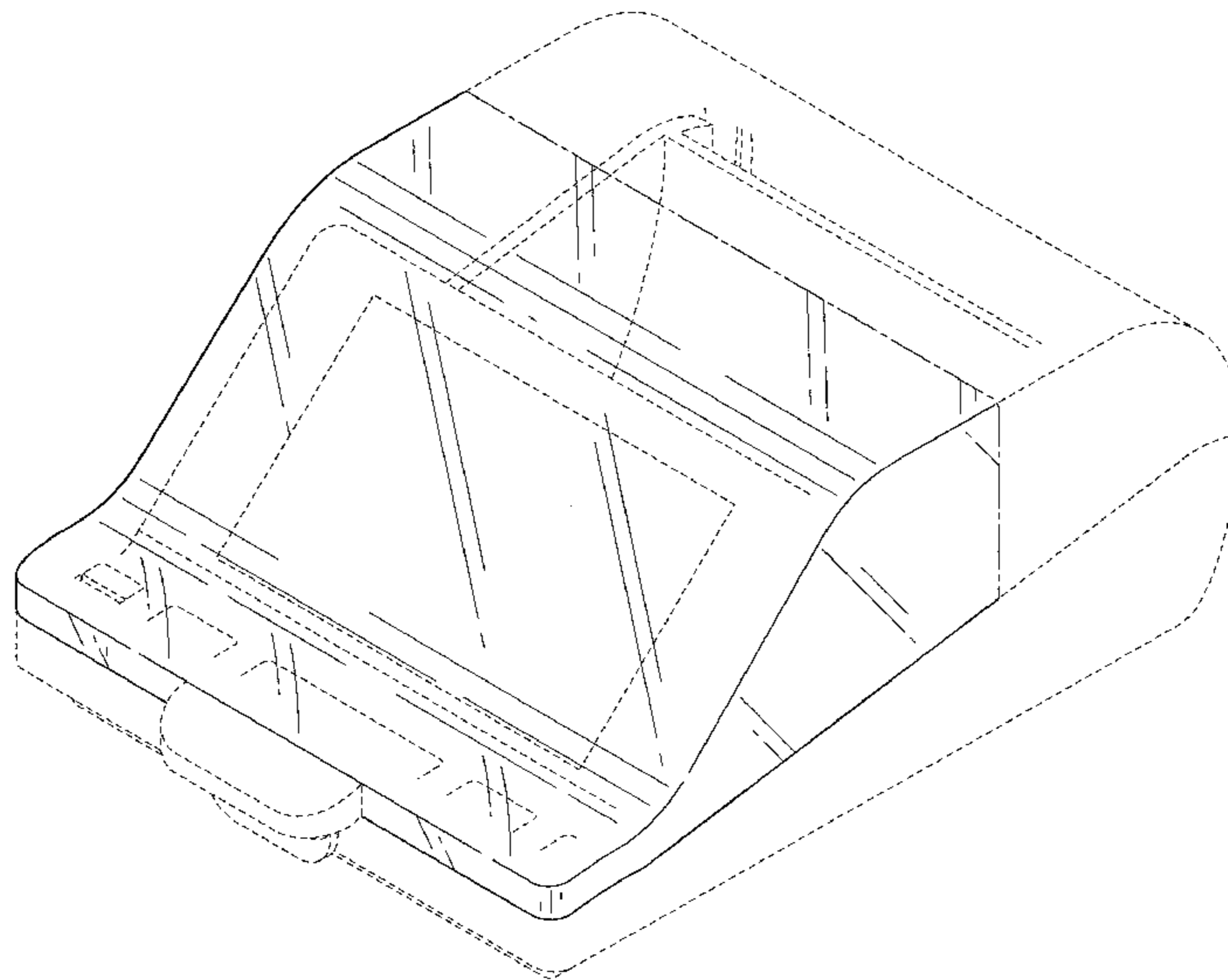
OTHER PUBLICATIONS

U.S. Appl. No. 29/307,383 to Omaki, filed Apr. 16, 2008.
U.S. Appl. No. 29/313,463 to Hara, filed Jan. 8, 2009.
U.S. Appl. No. 29/307,380 to Omaki, filed Apr. 16, 2008.
U.S. Appl. No. 29/339,085 to Hara, filed Jun. 24, 2009.
U.S. Appl. No. 29/339,084 to Hara, filed Jun. 24, 2009.

The broken lines in the drawing views are included for the purpose of illustrating portions of the blood pressure measuring apparatus that form no part of the claimed design. The halftone shading of FIG. 12 represents translucency, and not a color or color contrast.

Primary Examiner—T. Chase Nelson
Assistant Examiner—Anhdao Doan

1 Claim, 11 Drawing Sheets



US D618,352 S

Page 2

U.S. PATENT DOCUMENTS

D284,029 S *	5/1986	Nishibori et al.	D24/165	D552,240 S *	10/2007	Kishimoto et al.	D24/165
D475,788 S *	6/2003	Inagaki et al.	D24/165	D583,060 S *	12/2008	Kitamura et al.	D24/165
D509,591 S *	9/2005	Tomioka et al.	D24/165	D583,474 S *	12/2008	Mitsunami et al.	D24/165
D520,638 S *	5/2006	Zeindler	D24/166	D583,950 S *	12/2008	Itonaga et al.	D24/165
D533,666 S *	12/2006	Kobayashi et al.	D24/165	D598,551 S *	8/2009	Miwa et al.	D24/186
D537,944 S *	3/2007	Eda et al.	D24/165	2005/0187485 A1	8/2005	Fumuro et al.	

* cited by examiner

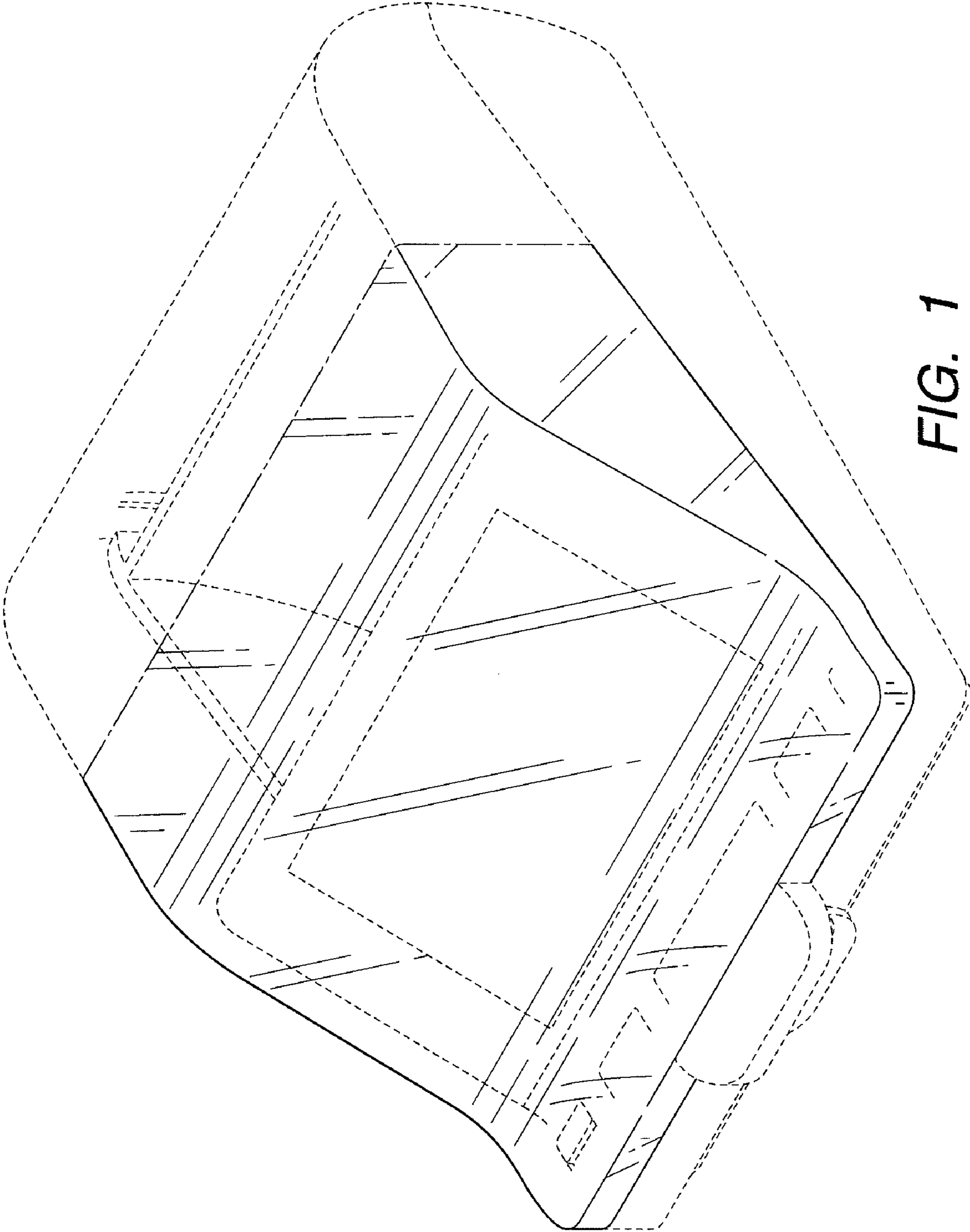


FIG. 1

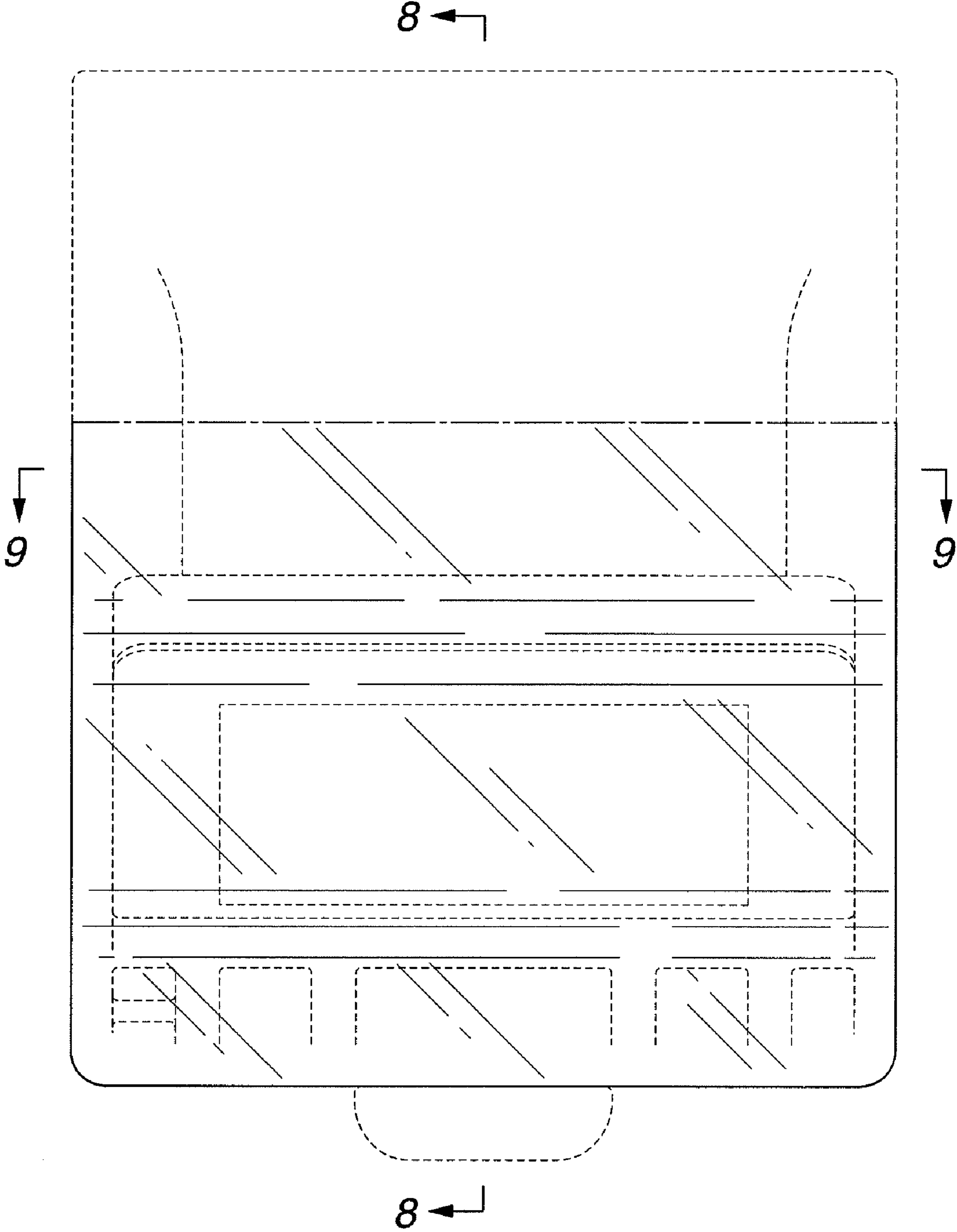


FIG. 2

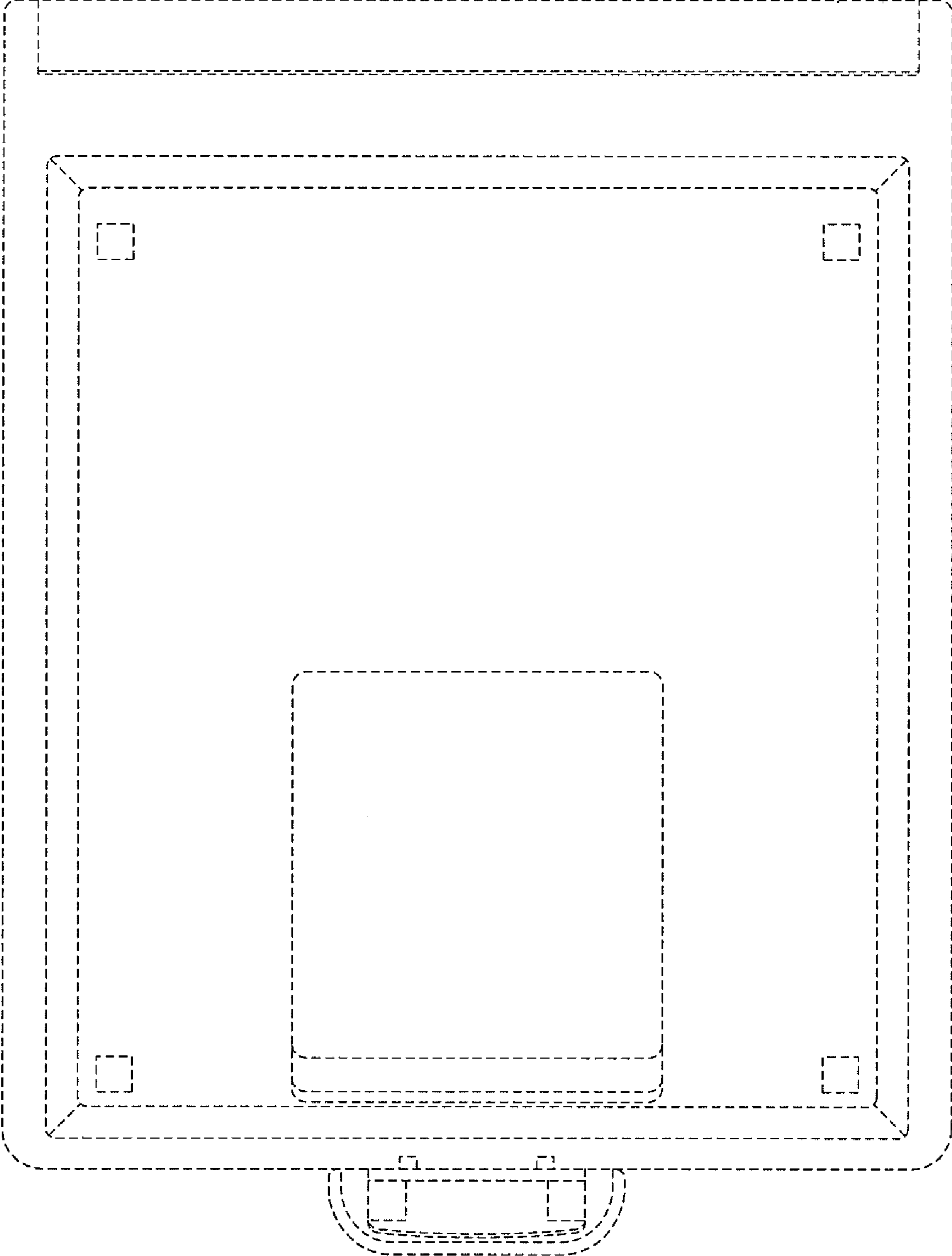


FIG. 3

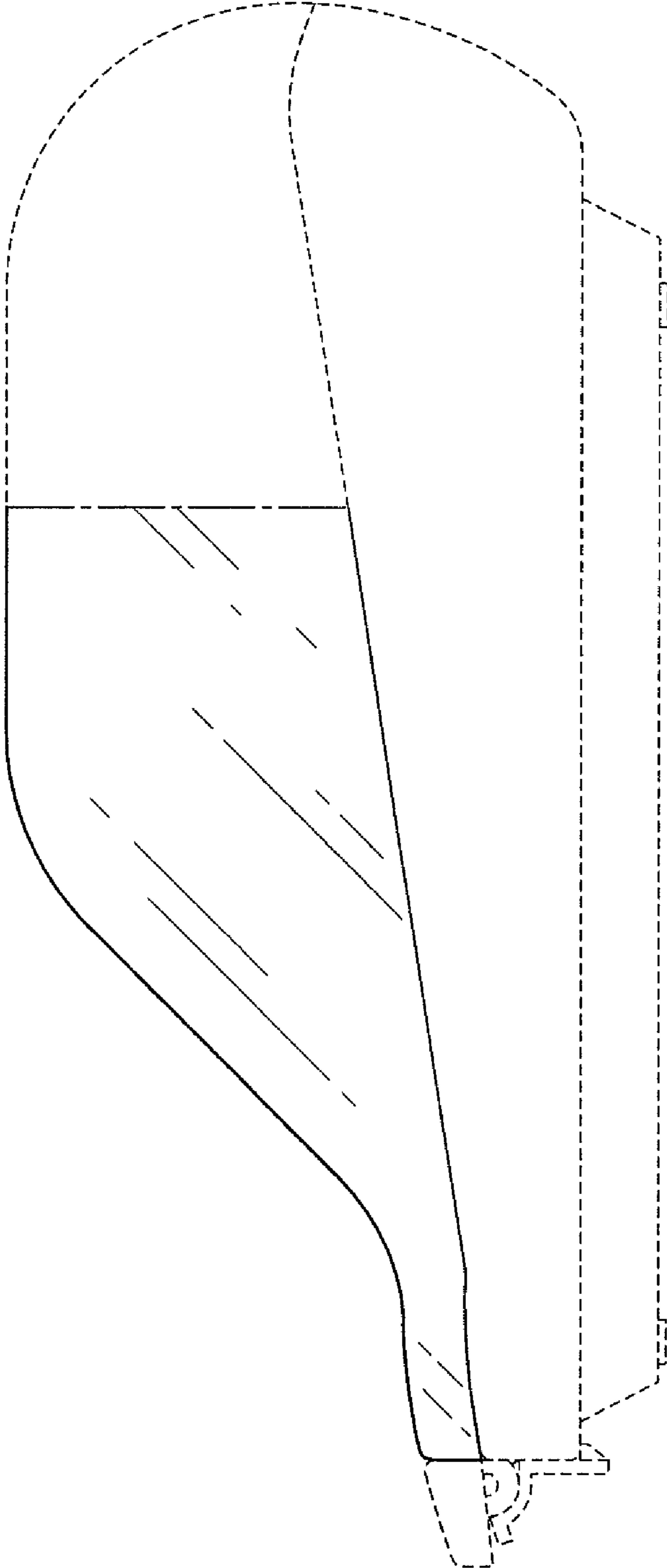


FIG. 4

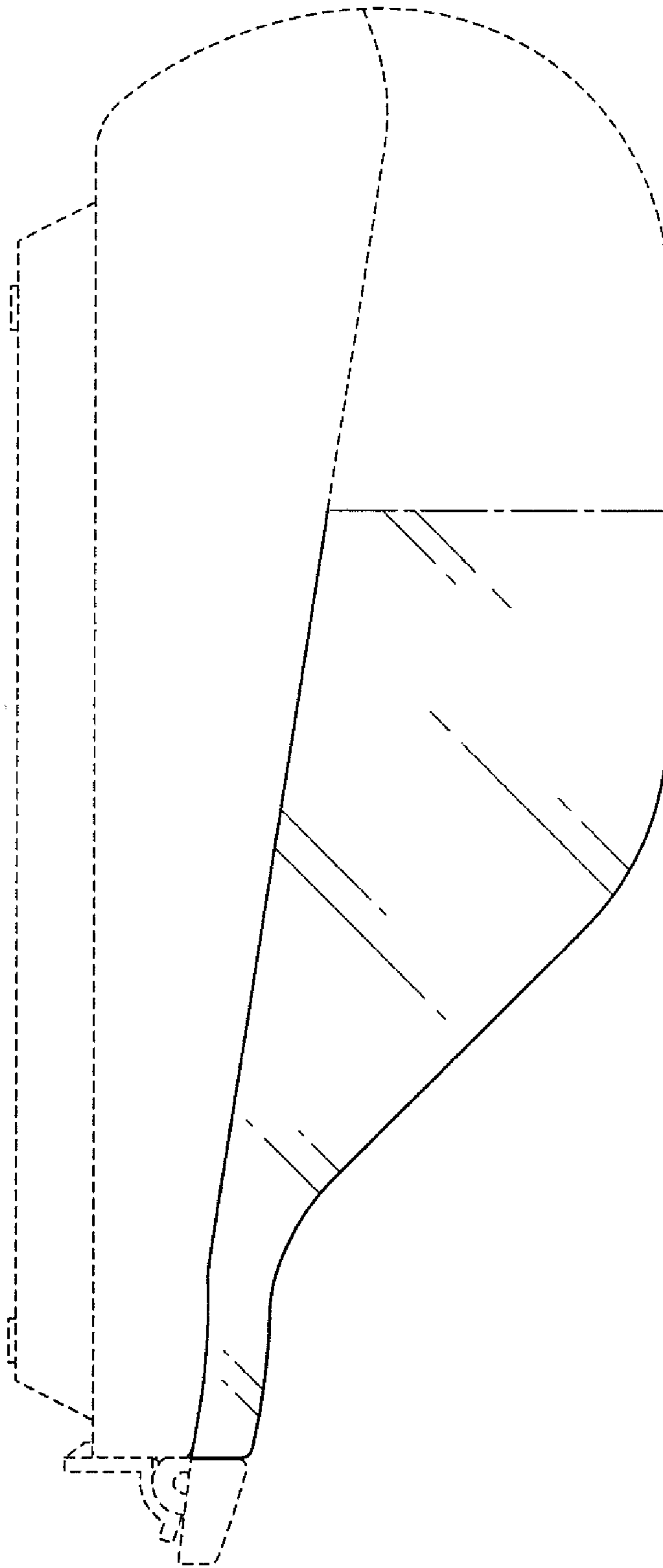


FIG. 5

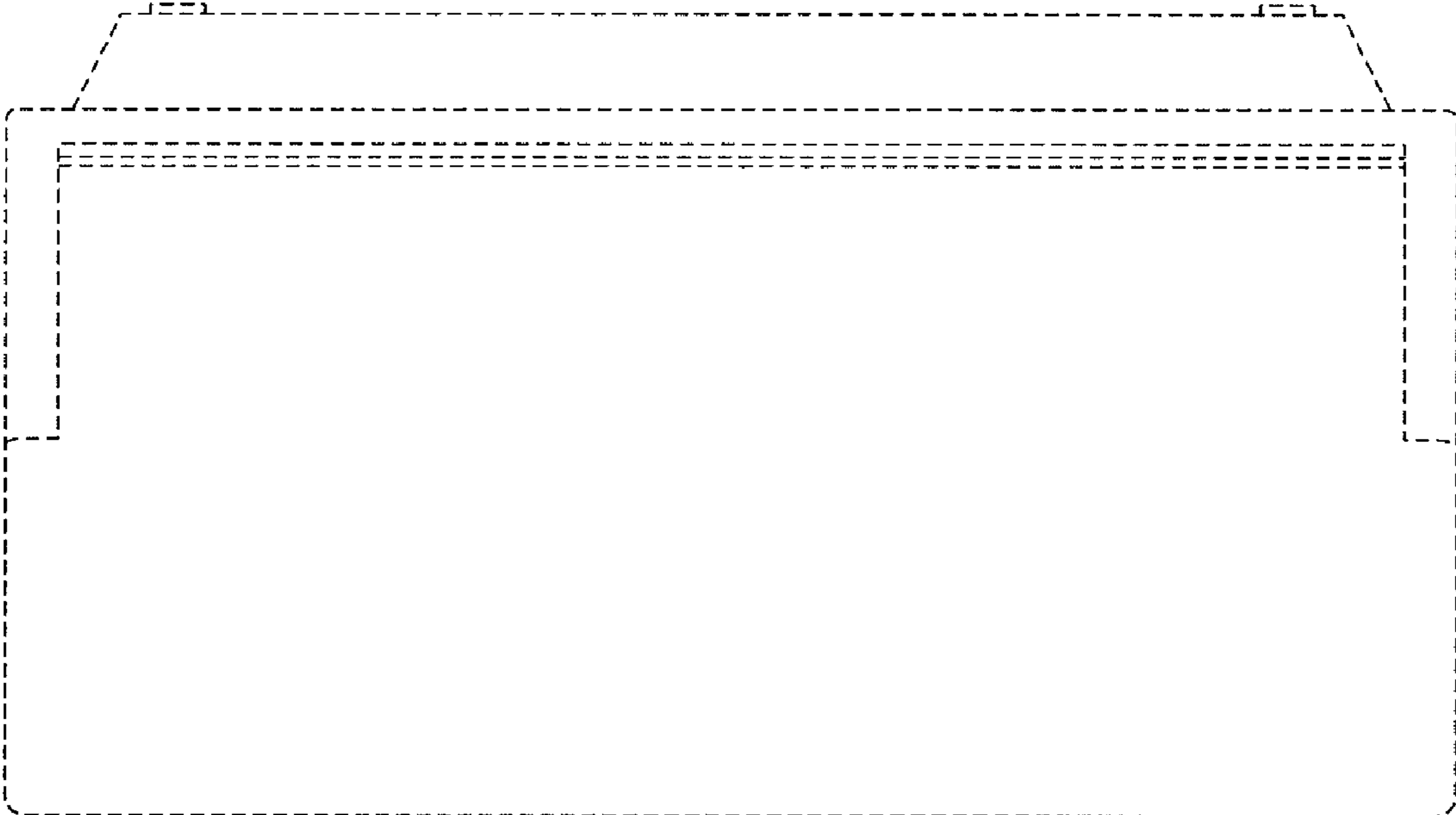


FIG. 6

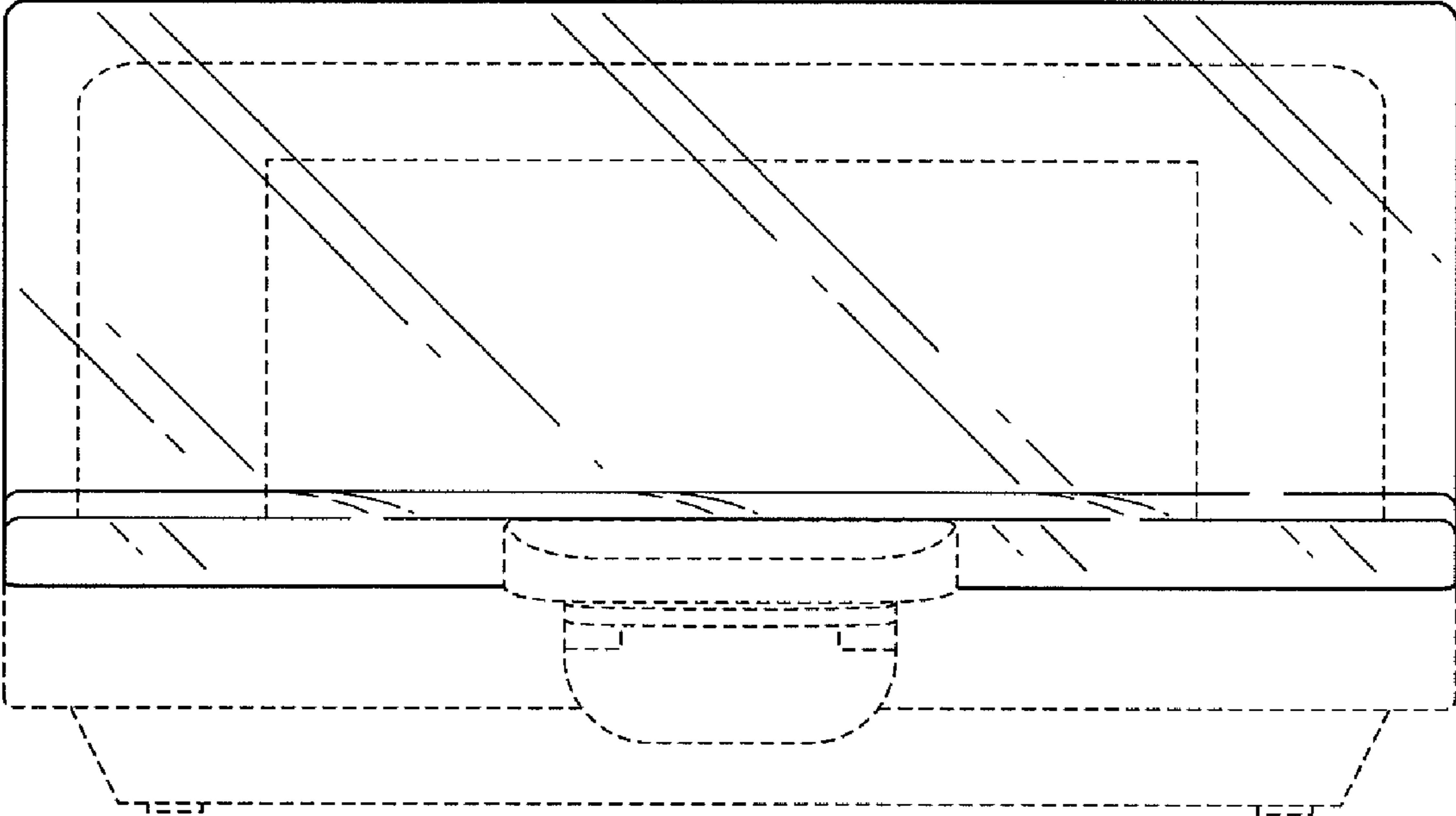


FIG. 7

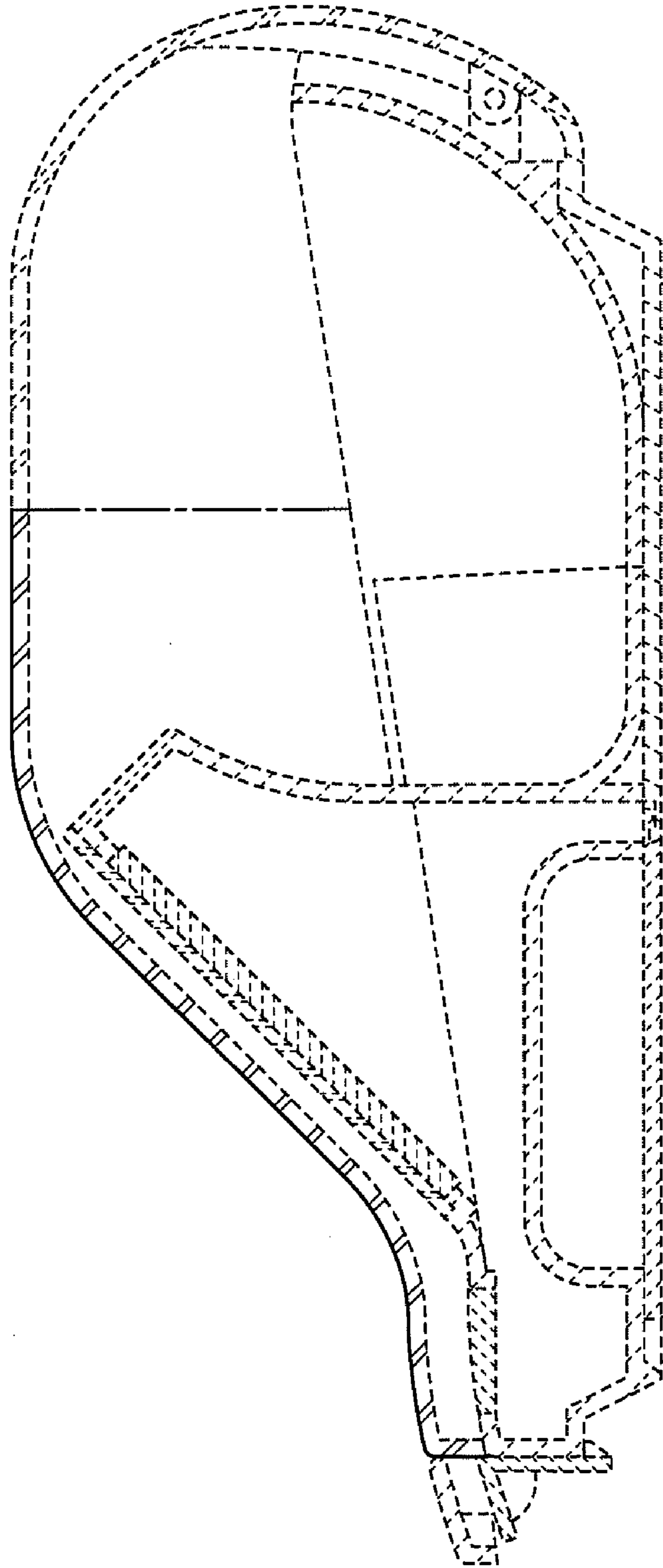


FIG. 8

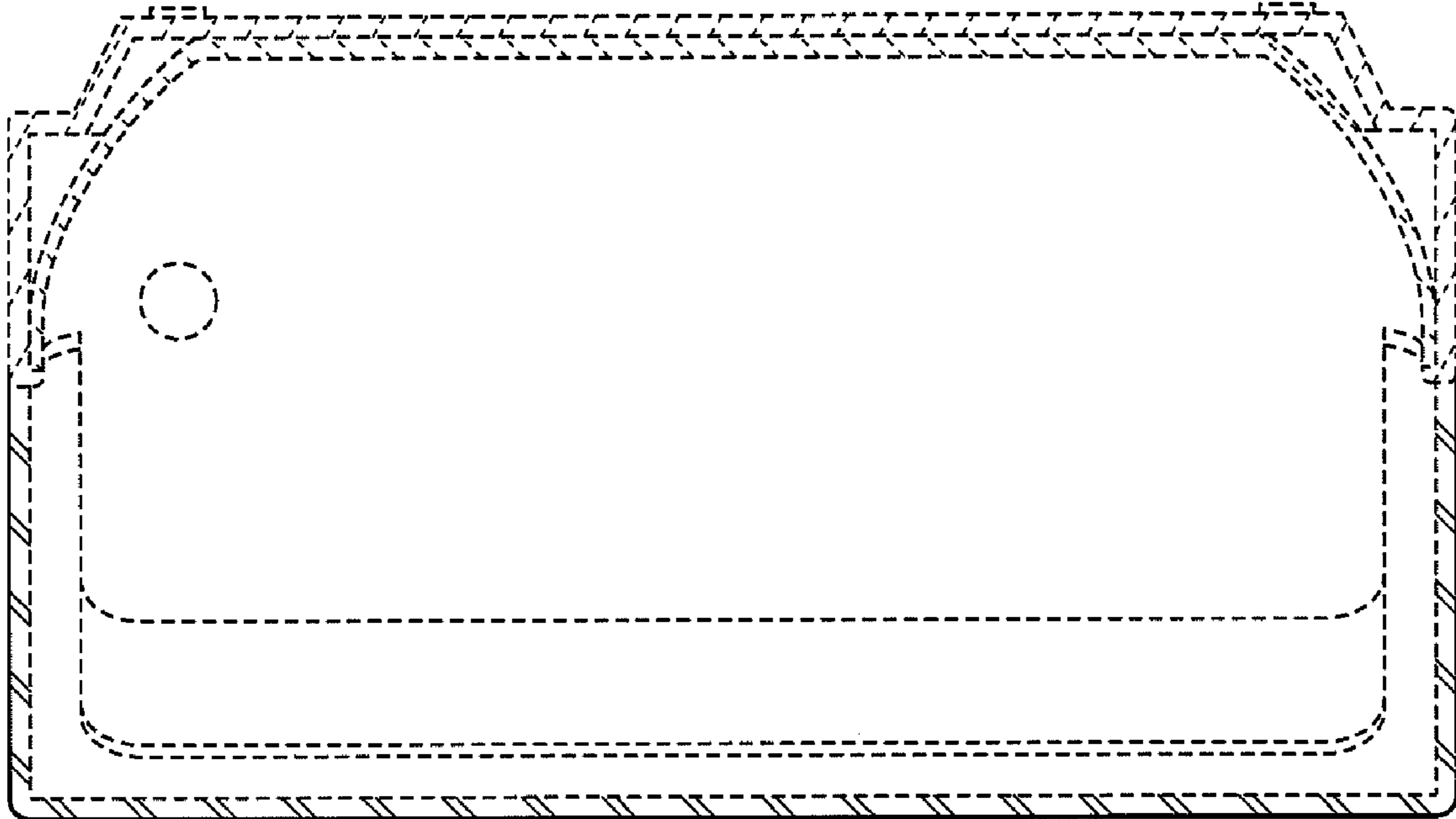


FIG. 9

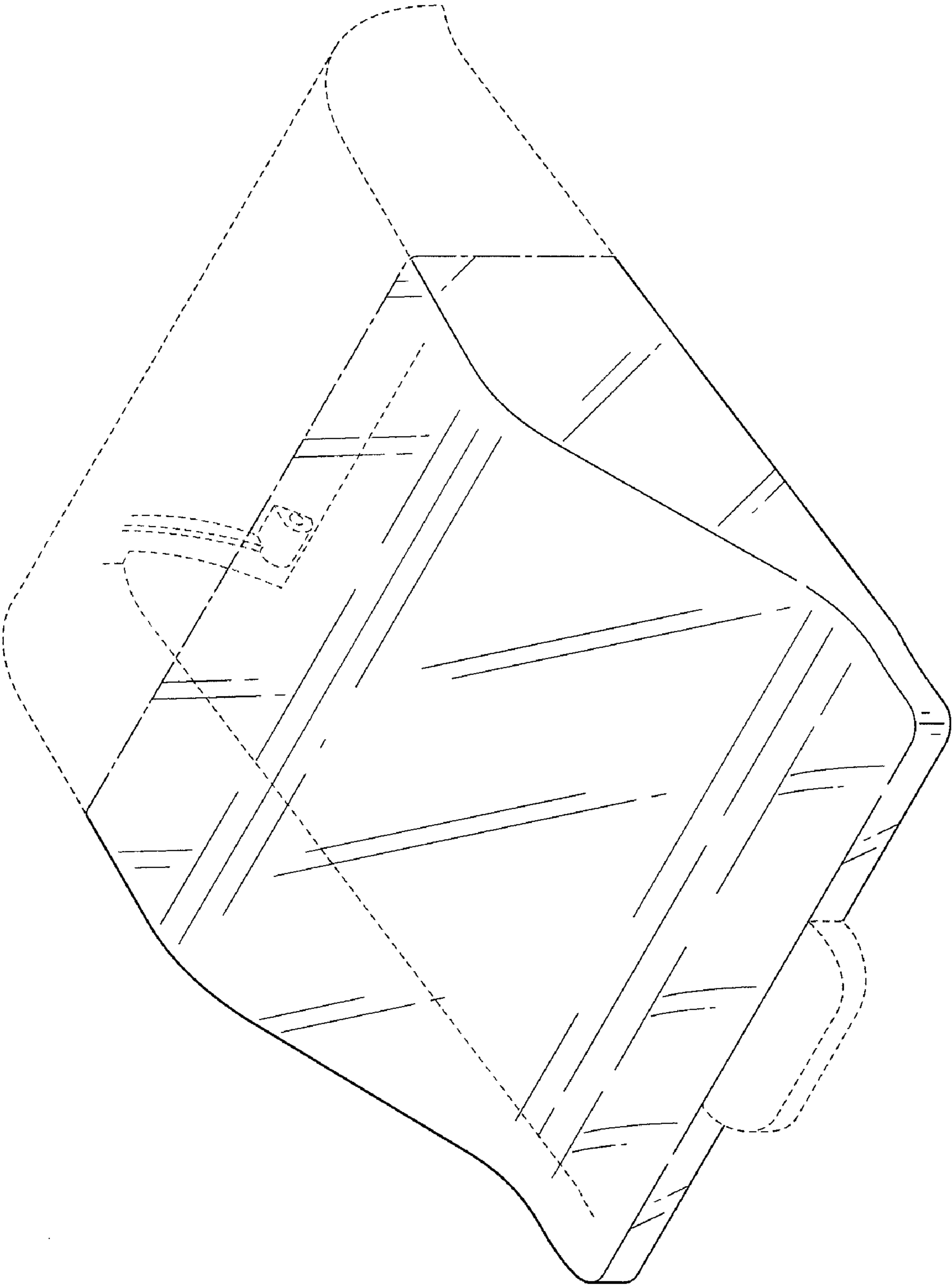


FIG. 10

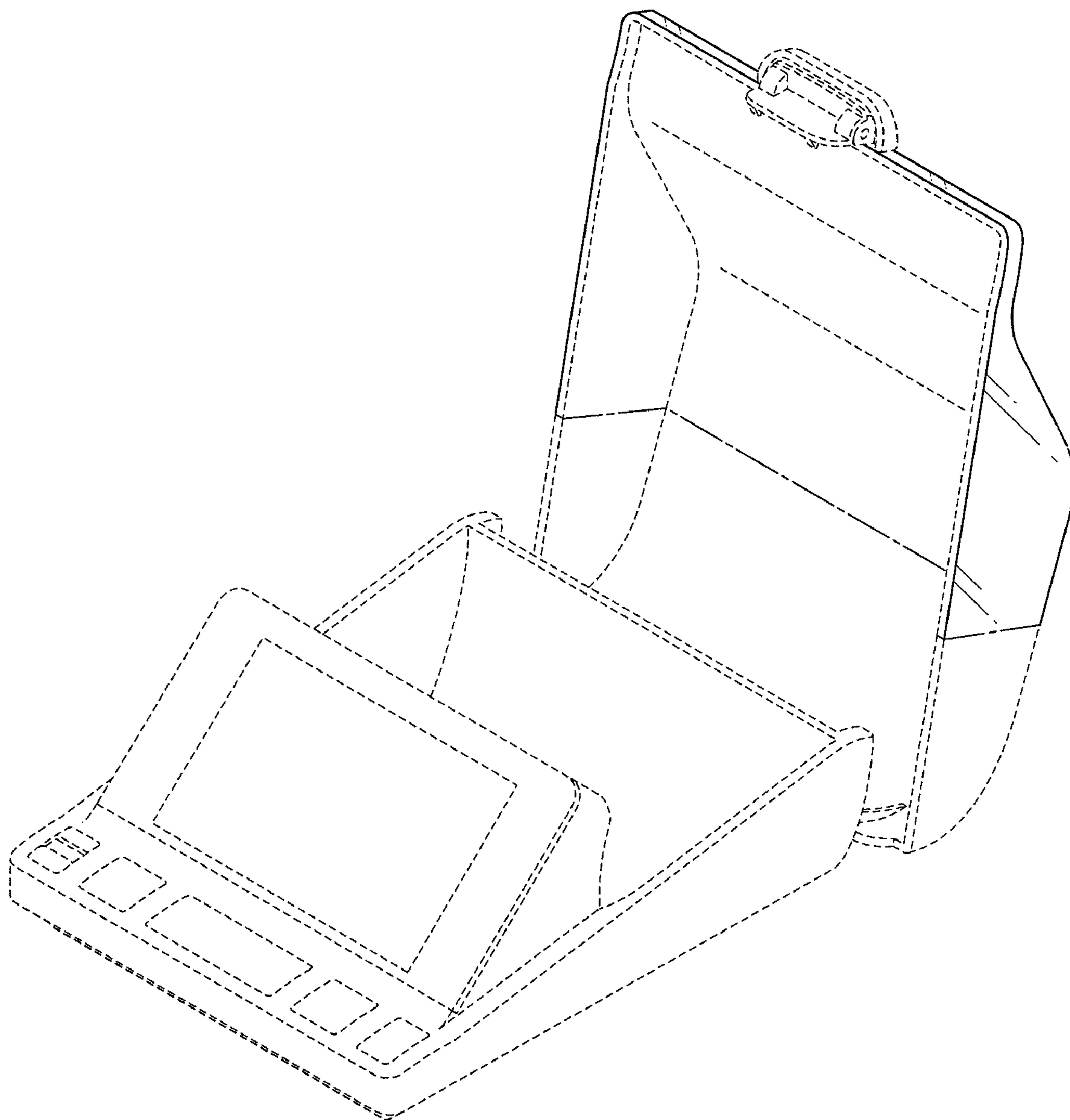


FIG. 11

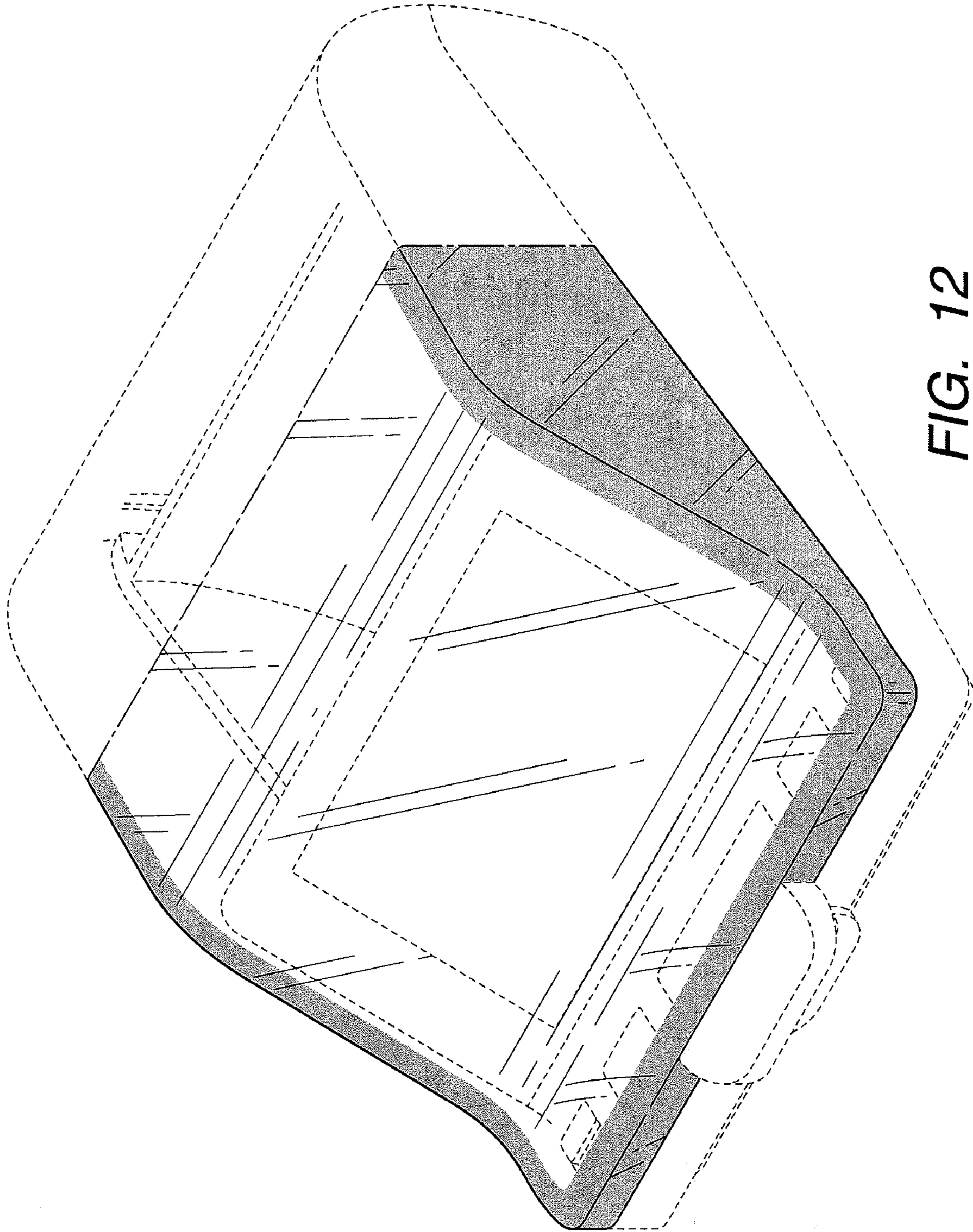


FIG. 12