



US00D618350S

(12) **United States Design Patent**  
**Balas**

(10) **Patent No.:** **US D618,350 S**

(45) **Date of Patent:** **\*\* Jun. 22, 2010**

(54) **IMAGING SYSTEM**

(75) Inventor: **Konstantinos Balas**, Athens (GR)

(73) Assignee: **Forth Phototronics Ltd.**, London (GB)

(\*\*) Term: **14 Years**

(21) Appl. No.: **29/301,807**

(22) Filed: **Mar. 17, 2008**

(51) **LOC (9) Cl.** ..... **24-01**

(52) **U.S. Cl.** ..... **D24/158**

(58) **Field of Classification Search** ..... D24/158-161,  
D24/183, 186; 378/4, 15, 17, 19, 20, 21-27,  
378/38-40, 102, 146, 195, 197, 198; 600/409,  
600/410, 425, 476; D15/199

See application file for complete search history.

(56) **References Cited**

**U.S. PATENT DOCUMENTS**

4,247,779	A *	1/1981	Ciavattoni et al.	.....	378/40
D282,077	S *	1/1986	Abe et al.	.....	D15/199
D435,107	S *	12/2000	Blair et al.	.....	D24/186
D545,967	S *	7/2007	Joyce et al.	.....	D24/160
D572,739	S *	7/2008	Jennings et al.	.....	D15/199

7,433,505 B2 \* 10/2008 Yoo et al. .... 382/128  
2006/0241423 A1 \* 10/2006 Anderson et al. .... 600/437

\* cited by examiner

*Primary Examiner*—T. Chase Nelson

*Assistant Examiner*—Anhdao Doan

(74) *Attorney, Agent, or Firm*—Nixon & Vanderhye P.C.

(57) **CLAIM**

The ornamental design for an imaging system, substantially as shown and described.

**DESCRIPTION**

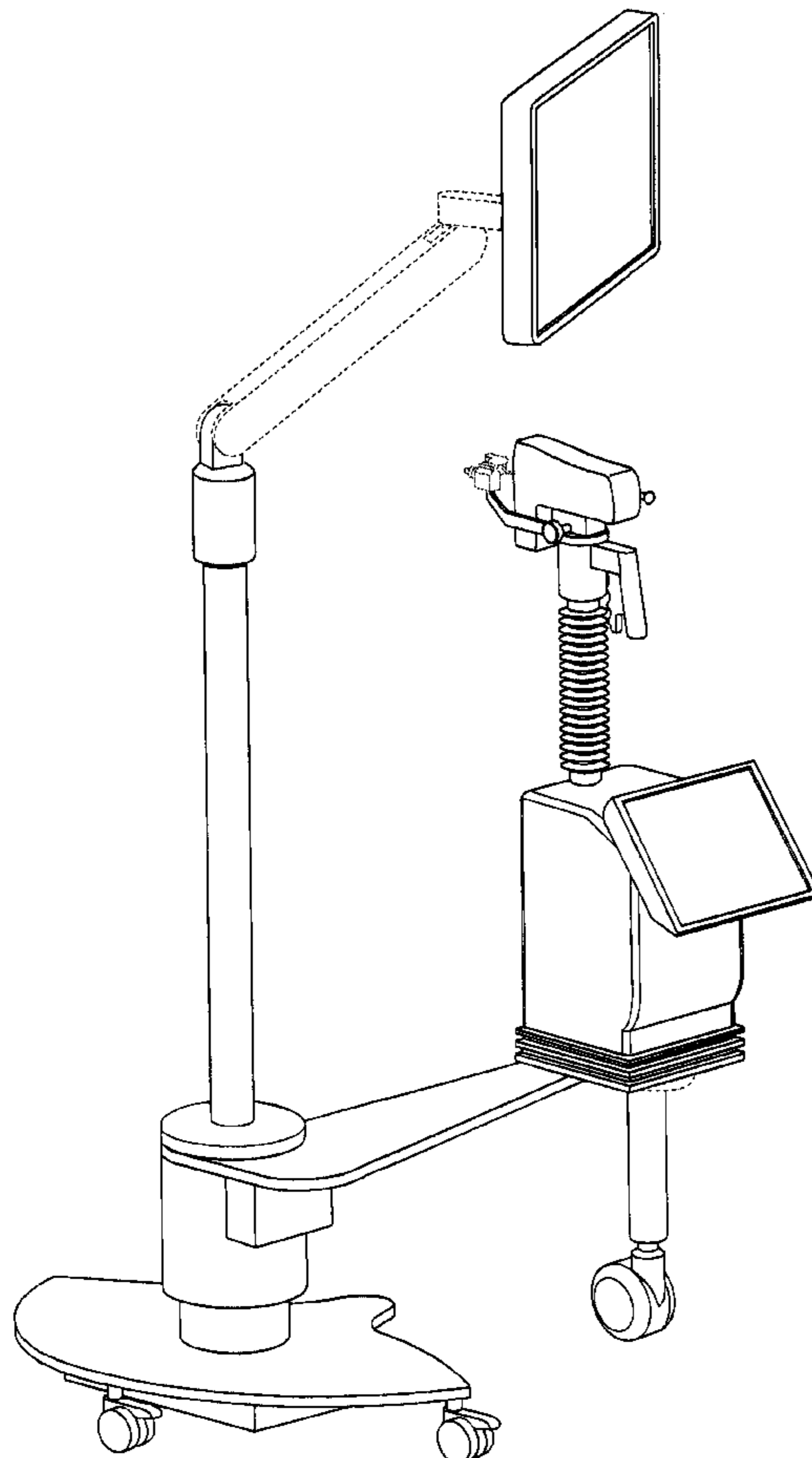
FIG. 1 is a left and front perspective view of an imaging system with an upper display element in a first rotation position, showing my new design;

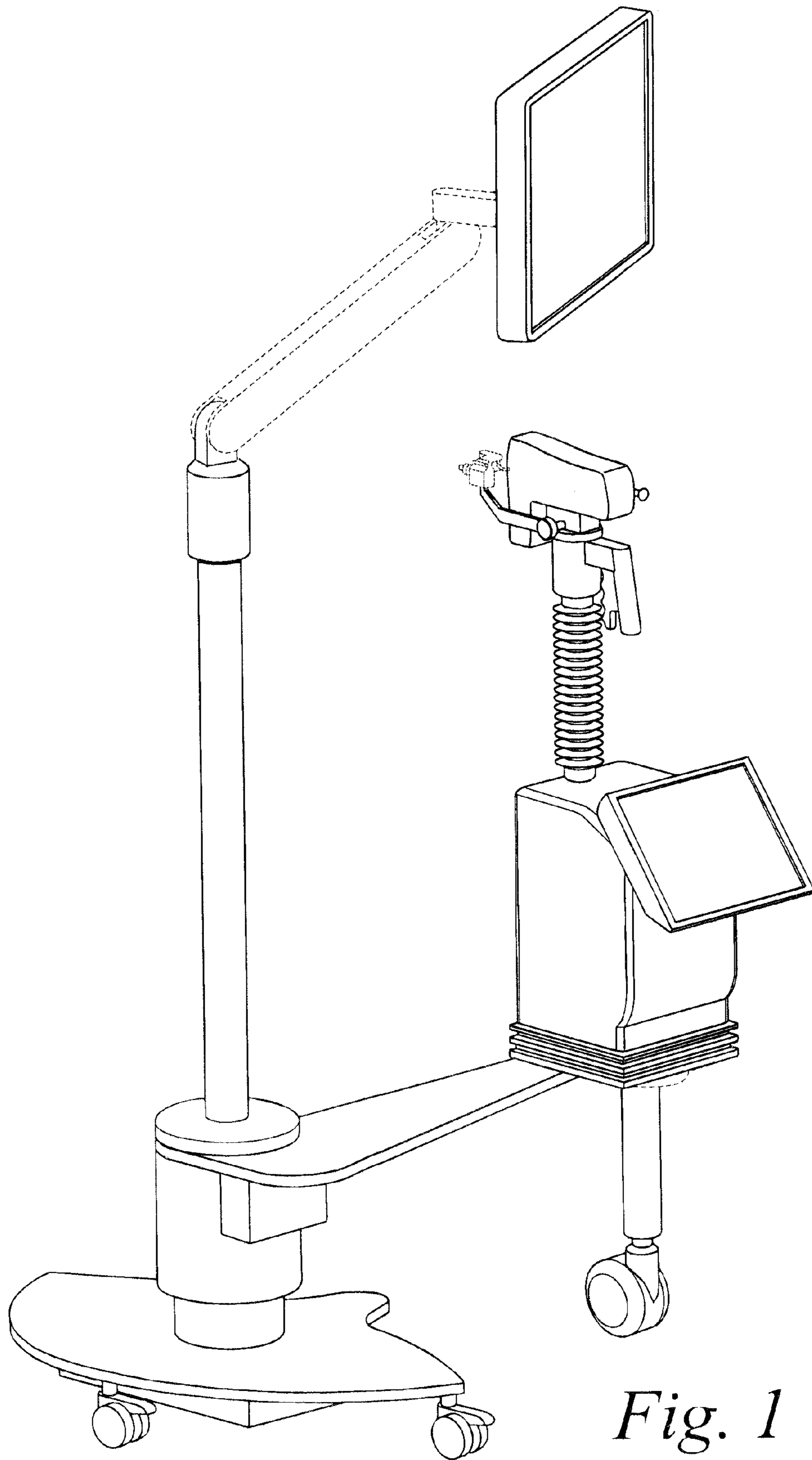
FIG. 2 is a rear perspective view thereof, with the upper display element in a second rotational position; and,

FIG. 3 is a right and front perspective view thereof, with the upper display element in a third rotational position.

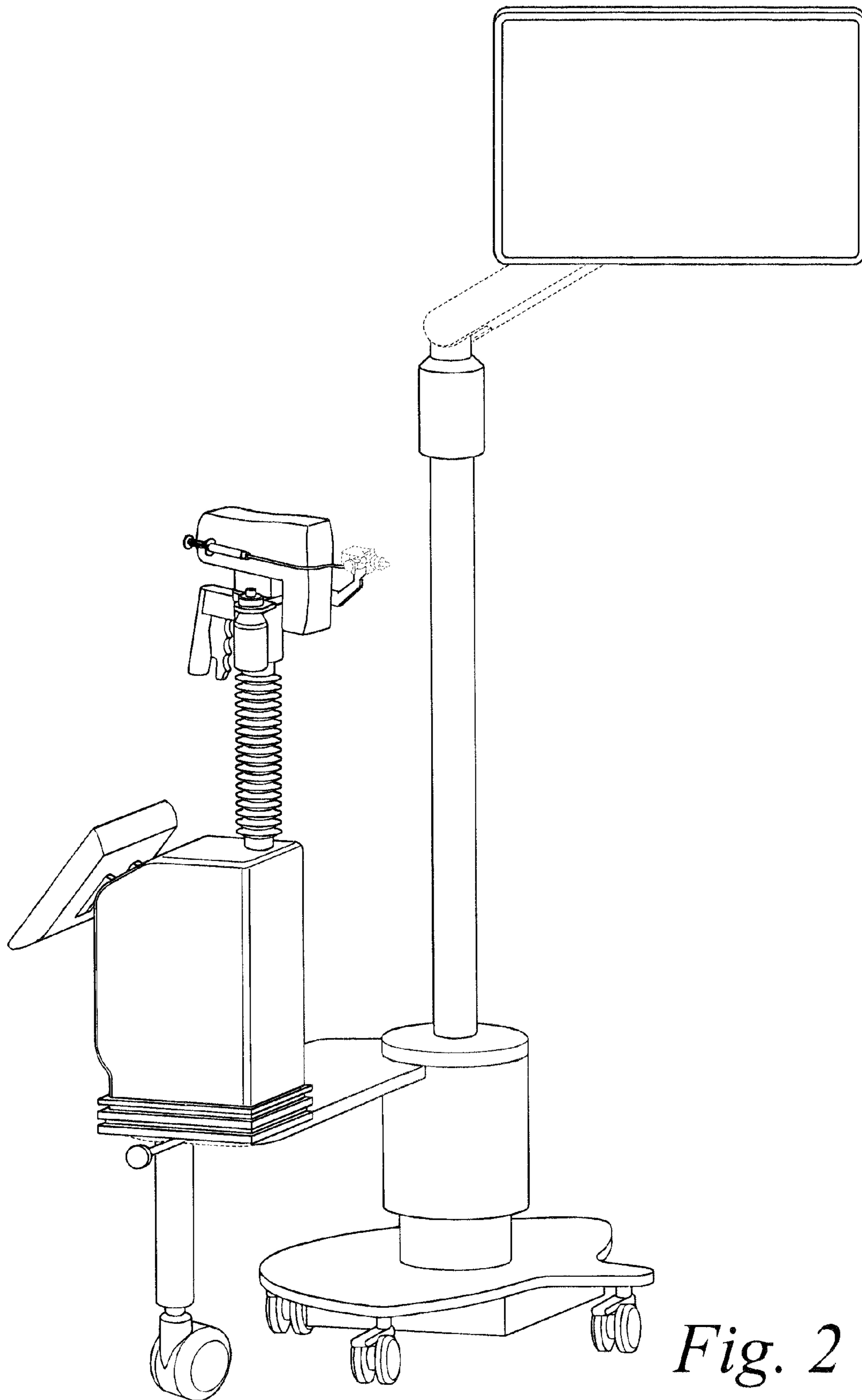
The broken lines in FIGS. 1-3 are included for the purpose of illustrating portions of the imaging system that form no part of the claimed design.

**1 Claim, 3 Drawing Sheets**

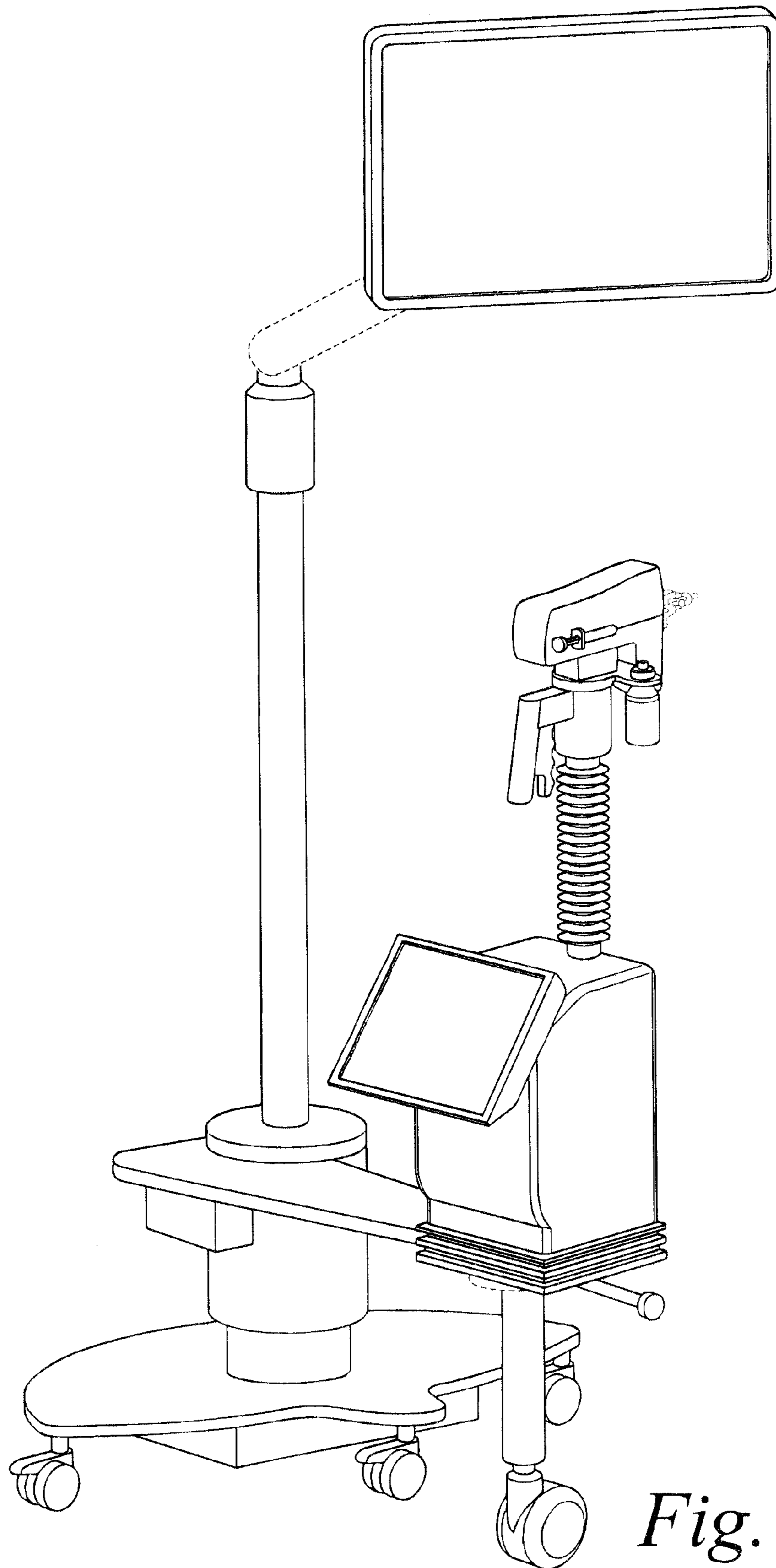




*Fig. 1*



*Fig. 2*



*Fig. 3*