



US00D618349S

(12) **United States Design Patent**  
**Krishna et al.**

(10) **Patent No.:** **US D618,349 S**  
(45) **Date of Patent:** **\*\* Jun. 22, 2010**

(54) **SPINAL STABILIZATION DEVICE**

(75) Inventors: **Manoj Krishna**, Yarm (GB); **Tai Friesem**, Ingleby Barwick (GB); **Steven Brown**, Parkland, FL (US); **Jose Fernandez**, Coral Springs, FL (US)

(73) Assignee: **Disc Motion Technologies, Inc.**, Boca Raton, FL (US)

(\*\*) Term: **14 Years**

(21) Appl. No.: **29/326,552**

(22) Filed: **Oct. 20, 2008**

**Related U.S. Application Data**

(63) Continuation-in-part of application No. 12/103,576, filed on Apr. 15, 2008, which is a continuation-in-part of application No. 11/728,204, filed on Mar. 23, 2007.

(51) **LOC (9) Cl.** ..... **24-03**

(52) **U.S. Cl.** ..... **D24/155**

(58) **Field of Classification Search** ..... D24/155, D24/156, 180, 176; 433/173, 176; 606/304, 606/74, 72, 255, 259, 297, 329; 623/21.19, 623/23.41

See application file for complete search history.

(56) **References Cited**

**U.S. PATENT DOCUMENTS**

4,204,284 A \* 5/1980 Koeneman ..... 623/23.41  
D277,509 S \* 2/1985 Lawrence et al. .... D24/155

D277,784 S \* 2/1985 Sgarlato et al. .... D24/155  
D284,099 S \* 6/1986 Laporta et al. .... D24/155  
D291,731 S \* 9/1987 Aikins ..... D24/155  
D292,124 S \* 9/1987 Roden et al. .... D24/156  
5,375,823 A 12/1994 Navas  
D355,487 S \* 2/1995 Broberg ..... D24/156  
5,423,816 A 6/1995 Lin  
5,480,401 A 1/1996 Navas  
5,562,737 A 10/1996 Graf  
D378,314 S \* 3/1997 Koros et al. .... D24/155  
5,672,175 A 9/1997 Martin  
5,733,284 A 3/1998 Martin

(Continued)

*Primary Examiner*—Charles A Rademaker

(74) *Attorney, Agent, or Firm*—Christopher & Weisberg, P.A.

(57)

**CLAIM**

The ornamental design for a spinal stabilization device, as shown.

**DESCRIPTION**

FIG. 1 is a perspective view of a spinal stabilization device showing our new design;

FIG. 2 is a first side view thereof;

FIG. 3 is a second side view thereof;

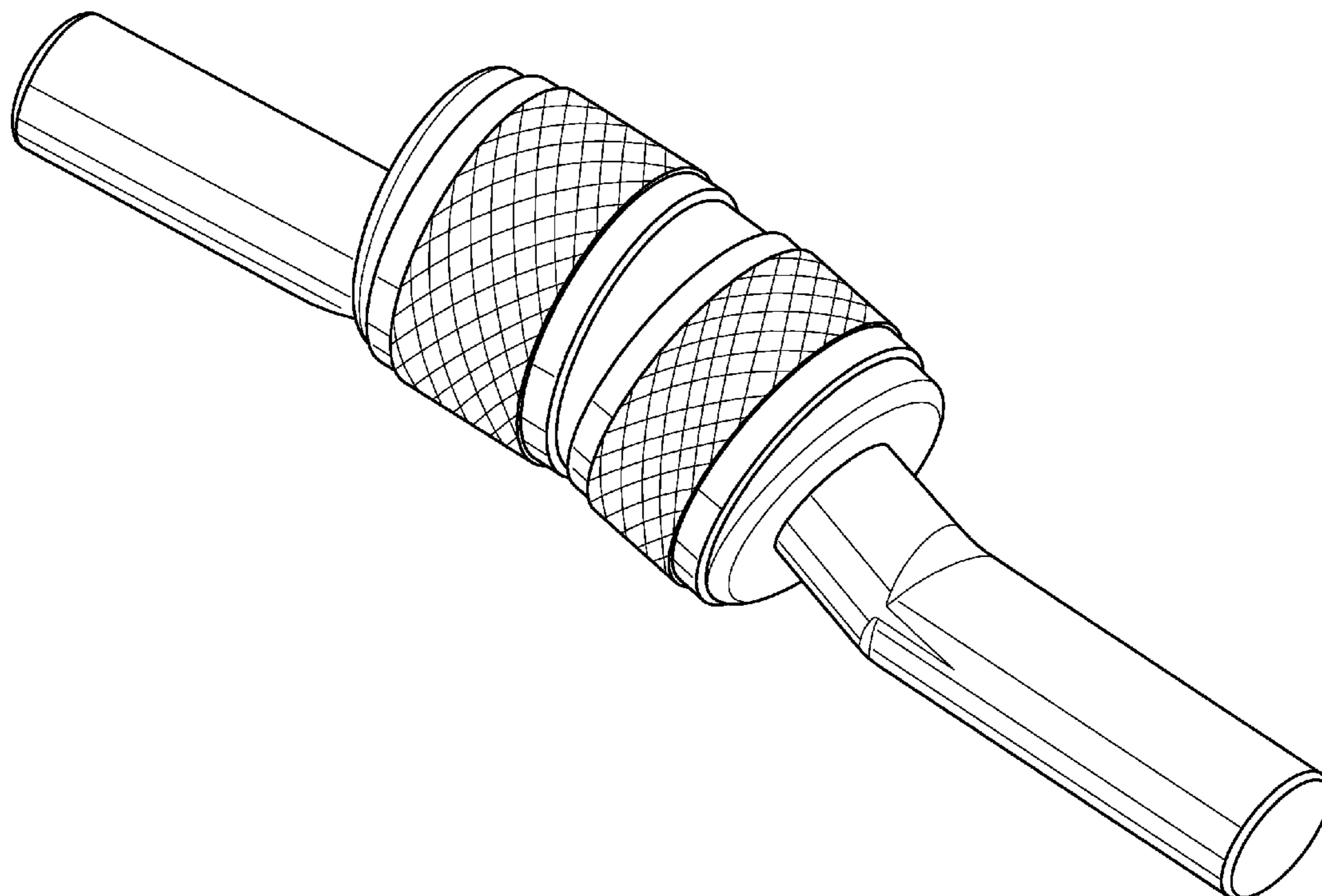
FIG. 4 is a front view thereof;

FIG. 5 is a rear view thereof;

FIG. 6 is a first end view thereof; and,

FIG. 7 is a second end view thereof.

**1 Claim, 4 Drawing Sheets**

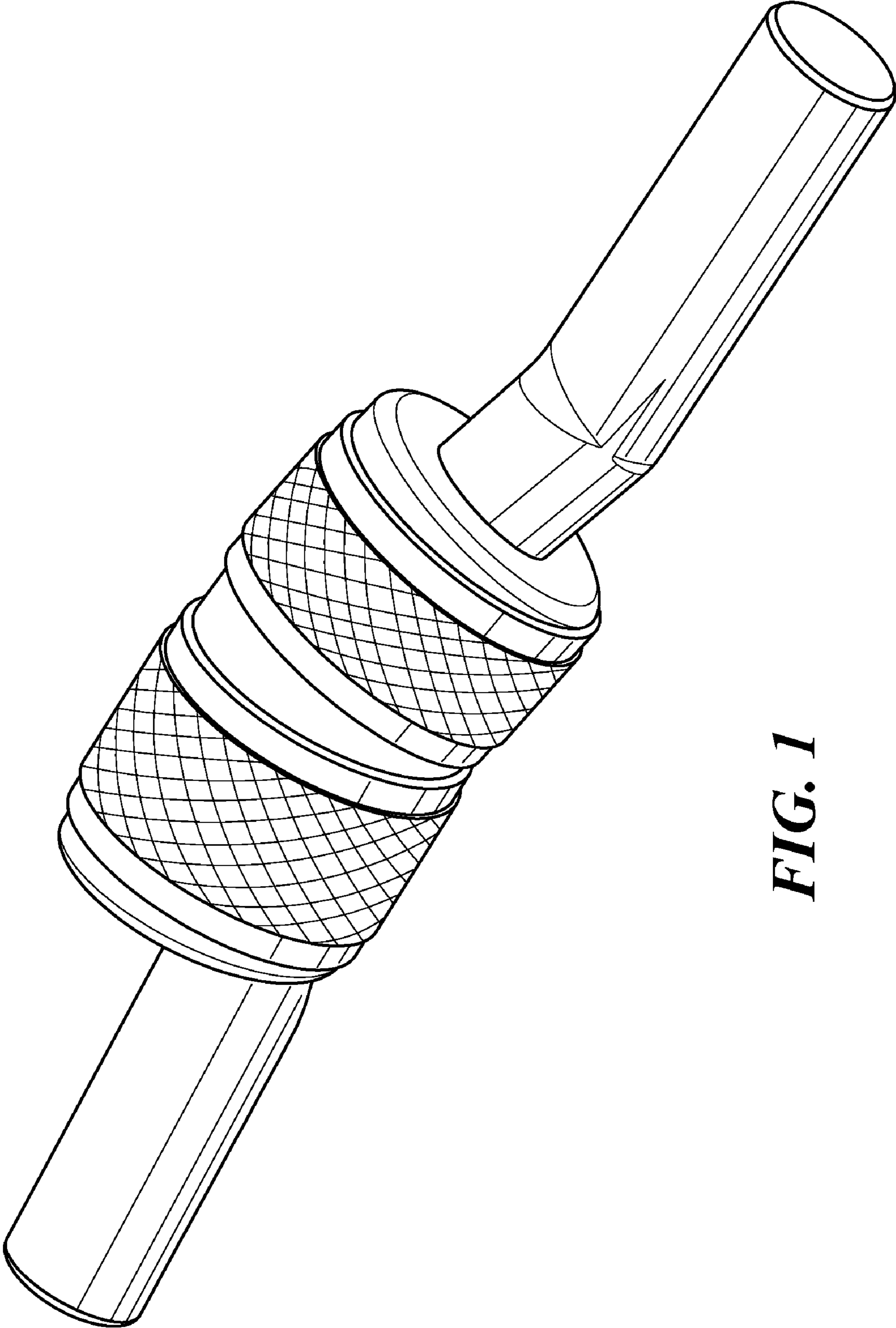


# US D618,349 S

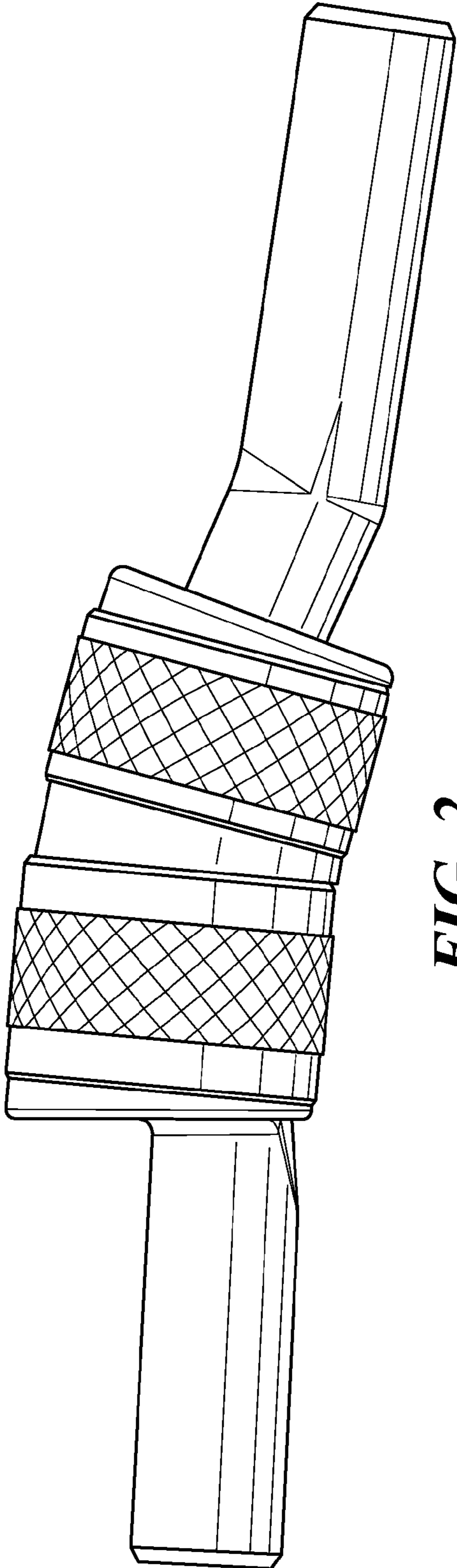
Page 2

U.S. PATENT DOCUMENTS						
			7,326,210	B2	2/2008	Jahng et al.
			7,329,258	B2	2/2008	Studer
			7,641,673	B2*	1/2010	Le Couedic et al. .... 606/259
D430,299	S *	8/2000	Bergstrom et al. ....	D24/156		
6,241,730	B1	6/2001	Alby			
6,267,764	B1 *	7/2001	Elberg .....	606/255		
6,319,284	B1 *	11/2001	Rushdy et al. ....	623/21.19		
6,402,750	B1	6/2002	Atkinson et al.			
6,669,729	B2	12/2003	Chin			
D490,900	S *	6/2004	Ogilvie et al. ....	D24/155		
6,835,205	B2	12/2004	Atkinson et al.			
6,852,128	B2	2/2005	Lange			
6,945,974	B2	9/2005	Dalton			
6,974,478	B2	12/2005	Reiley et al.			
6,986,771	B2	1/2006	Paul et al.			
6,989,011	B2	1/2006	Paul et al.			
7,029,475	B2	4/2006	Panjabi			
7,041,136	B2	5/2006	Goble et al.			
7,074,237	B2	7/2006	Goble et al.			
7,074,238	B2	7/2006	Stinson et al.			
7,083,622	B2	8/2006	Simonson			
7,087,084	B2	8/2006	Reiley			
7,090,698	B2	8/2006	Goble et al.			
7,282,065	B2	10/2007	Kirschman			
7,291,150	B2	11/2007	Graf			
			2004/0236329	A1	11/2004	Panjabi
			2005/0049592	A1	3/2005	Keith et al.
			2005/0049708	A1	3/2005	Atkinson et al.
			2005/0171543	A1	8/2005	Timm et al.
			2005/0177156	A1	8/2005	Timm et al.
			2005/0177164	A1	8/2005	Walters et al.
			2005/0182400	A1	8/2005	White
			2005/0182401	A1	8/2005	Timm et al.
			2005/0182409	A1	8/2005	Callahan et al.
			2005/0203517	A1	9/2005	Jahng et al.
			2005/0222569	A1	10/2005	Panjabi
			2005/0245930	A1	11/2005	Timm et al.
			2006/0084994	A1	4/2006	Atkinson et al.
			2006/0184171	A1	8/2006	Biedermann et al.
			2006/0189984	A1	8/2006	Fallin et al.
			2007/0225814	A1	9/2007	Atkinson et al.
			2007/0225815	A1	9/2007	Keith et al.
			2007/0225816	A1	9/2007	Keith et al.
			2007/0233257	A1	10/2007	Keith et al.
			2007/0239280	A1	10/2007	Keith et al.

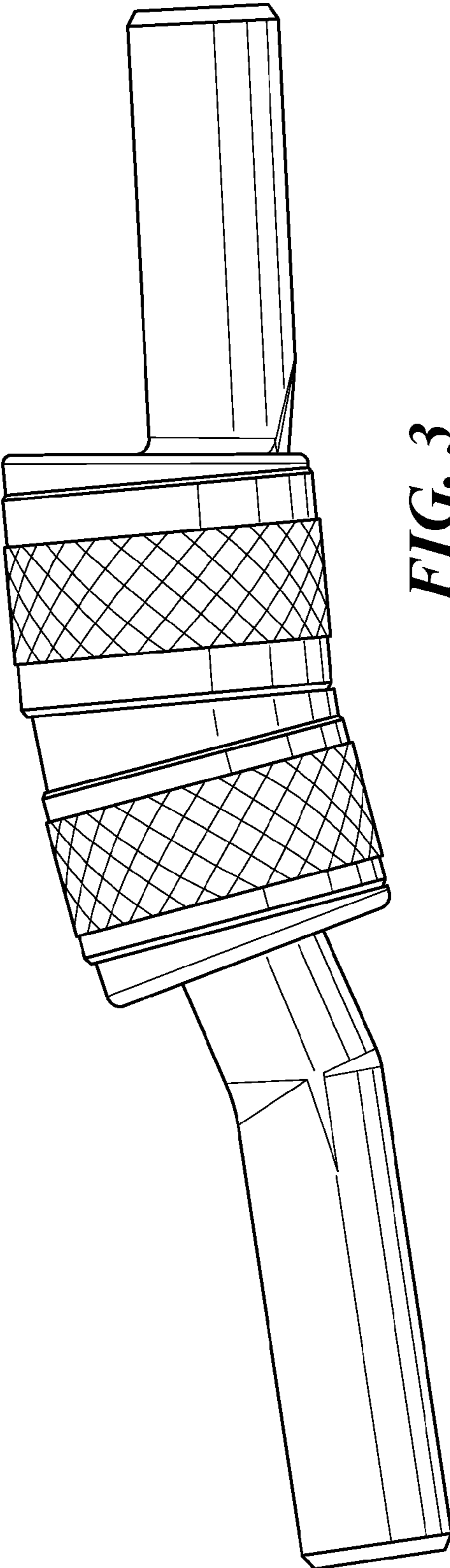
\* cited by examiner



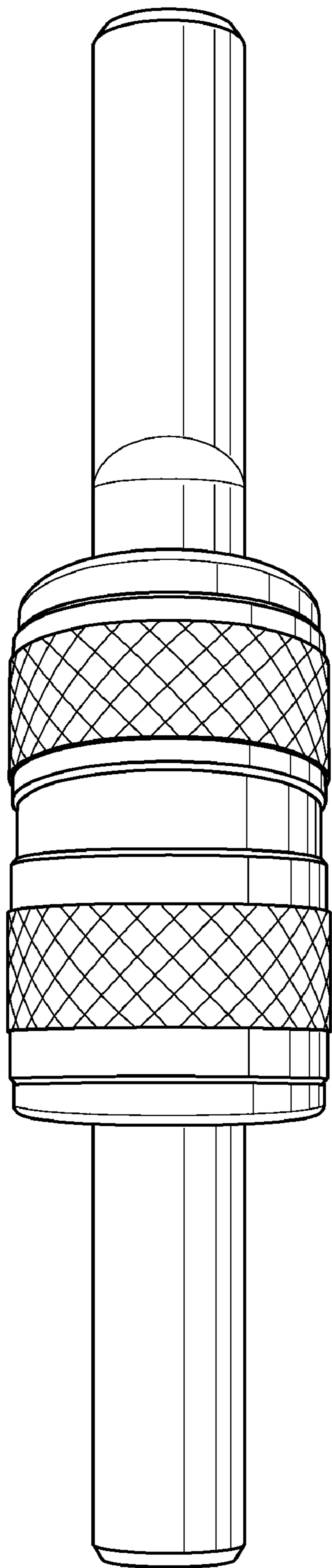
**FIG. 1**



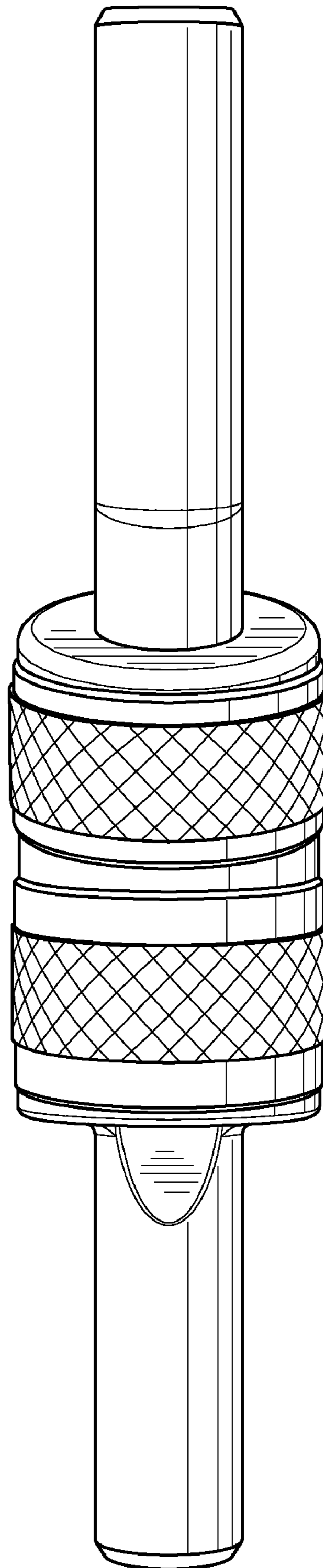
**FIG. 2**



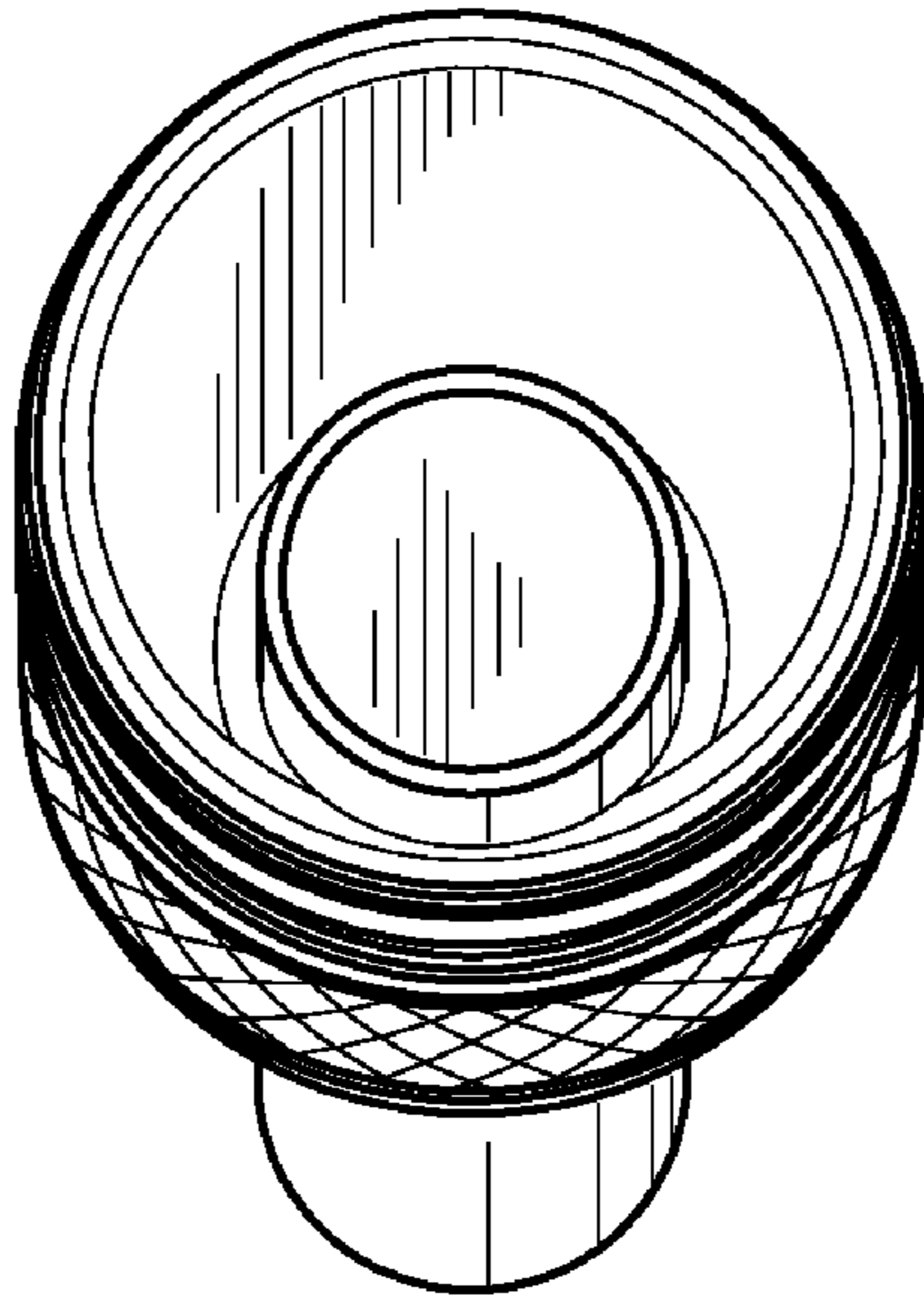
**FIG. 3**



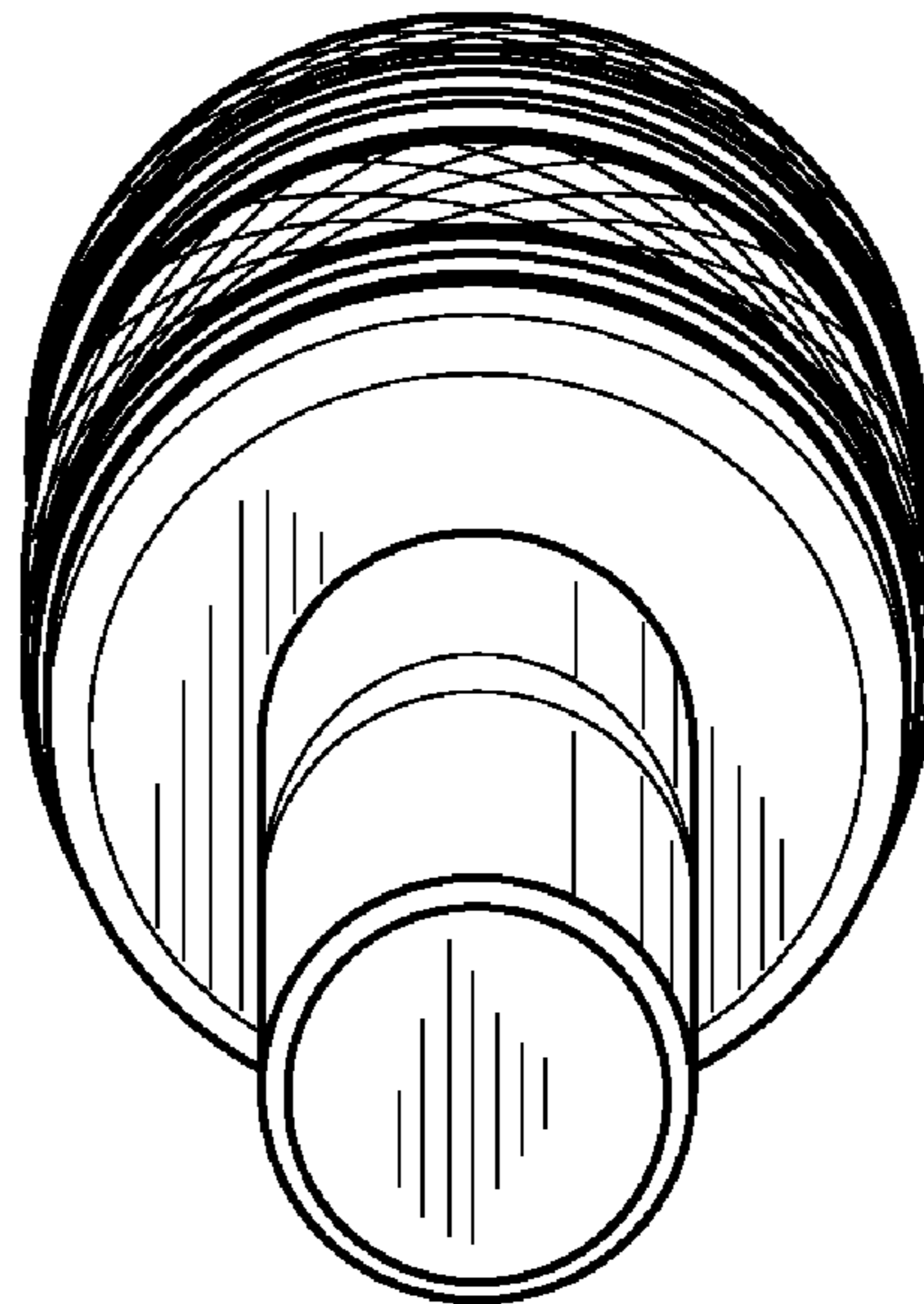
*FIG. 4*



*FIG. 5*



***FIG. 6***



***FIG. 7***