



US00D618348S

(12) **United States Design Patent**
Krishna et al.

(10) **Patent No.:** **US D618,348 S**

(45) **Date of Patent:** **** Jun. 22, 2010**

(54) **SPINAL STABILIZATION DEVICE**

(75) Inventors: **Manoj Krishna**, Yarm (GB); **Tai Friesem**, Ingleby Barwick (GB); **Steven Brown**, Parkland, FL (US)

(73) Assignee: **Disc Motion Technologies, Inc.**, Boca Raton, FL (US)

(**) Term: **14 Years**

(21) Appl. No.: **29/326,534**

(22) Filed: **Oct. 20, 2008**

Related U.S. Application Data

(63) Continuation-in-part of application No. 11/728,204, filed on Mar. 23, 2007.

(51) **LOC (9) Cl.** **24-03**

(52) **U.S. Cl.** **D24/155**

(58) **Field of Classification Search** D24/155, D24/156, 180, 176; 433/173, 176; 606/304, 606/74, 72, 255, 259, 297, 329; 623/21.19, 623/23.41

See application file for complete search history.

(56) **References Cited**

U.S. PATENT DOCUMENTS

- 4,204,284 A * 5/1980 Koeneman 623/23.41
- D277,509 S * 2/1985 Lawrence et al. D24/155
- D277,784 S * 2/1985 Sgarlato et al. D24/155
- D284,099 S * 6/1986 Laporta et al. D24/155

- D291,731 S * 9/1987 Aikins D24/155
- D292,124 S * 9/1987 Roden et al. D24/156
- 5,375,823 A 12/1994 Navas
- D355,487 S * 2/1995 Broberg D24/156
- 5,423,816 A 6/1995 Lin
- 5,480,401 A 1/1996 Navas
- 5,562,737 A 10/1996 Graf
- D378,314 S * 3/1997 Koros et al. D24/155
- 5,672,175 A 9/1997 Martin
- 5,733,284 A 3/1998 Martin
- D430,299 S * 8/2000 Bergstrom et al. D24/156
- 6,241,730 B1 6/2001 Alby

(Continued)

Primary Examiner—Charles A Rademaker

(74) *Attorney, Agent, or Firm*—Christopher & Weisberg, P.A.

(57) **CLAIM**

The ornamental design for a spinal stabilization device, as shown.

DESCRIPTION

FIG. 1 is a perspective view of a spinal stabilization device showing our new design;

FIG. 2 is a front view thereof;

FIG. 3 is a rear view thereof;

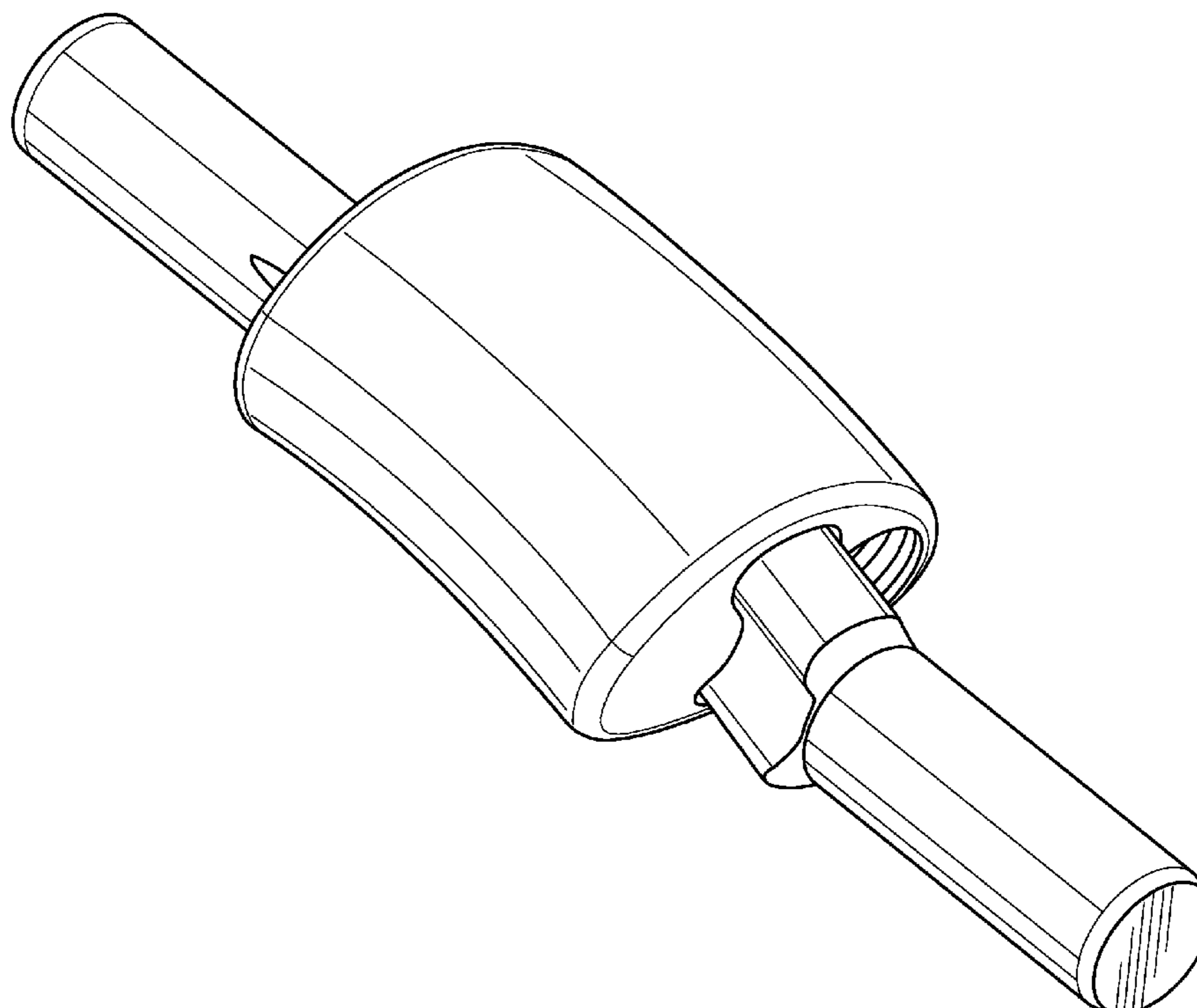
FIG. 4 is a first side view thereof;

FIG. 5 is a second side view thereof;

FIG. 6 is a first end view thereof; and,

FIG. 7 is a second end view thereof.

1 Claim, 4 Drawing Sheets

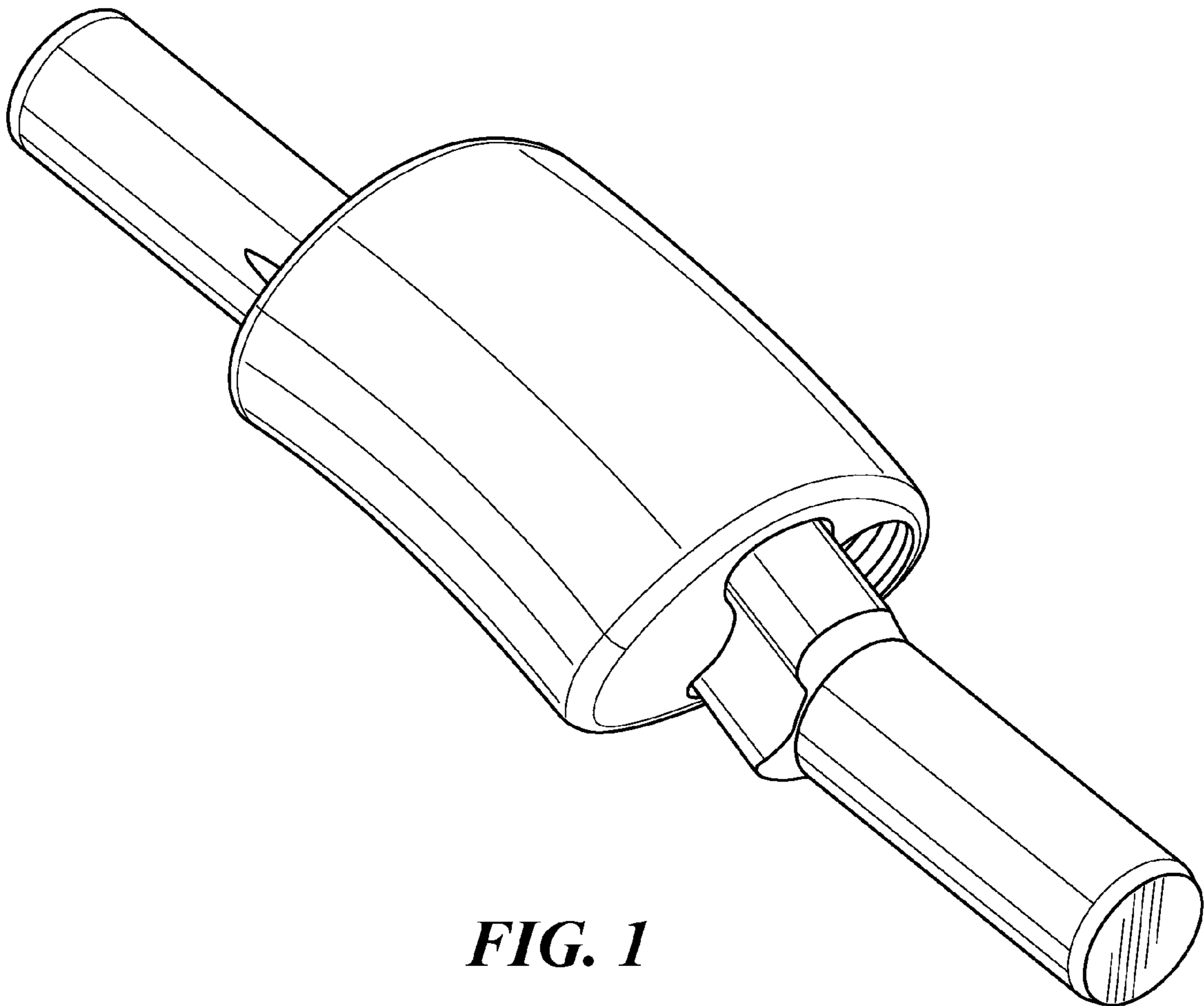


US D618,348 S

Page 2

U.S. PATENT DOCUMENTS							
			7,329,258	B2	2/2008	Studer	
			7,641,673	B2*	1/2010	Le Couedic et al. 606/259	
6,267,764	B1*	7/2001	Elberg			606/255	
6,319,284	B1*	11/2001	Rushdy et al.	2004/0236329	A1	11/2004	Panjabi
6,402,750	B1	6/2002	Atkinson et al.	2005/0049592	A1	3/2005	Keith et al.
6,669,729	B2	12/2003	Chin	2005/0049708	A1	3/2005	Atkinson et al.
D490,900	S*	6/2004	Ogilvie et al.	2005/0171543	A1	8/2005	Timm et al.
			D24/155	2005/0177156	A1	8/2005	Timm et al.
6,835,205	B2	12/2004	Atkinson et al.	2005/0177164	A1	8/2005	Walters et al.
6,852,128	B2	2/2005	Lange	2005/0182400	A1	8/2005	White
6,945,974	B2	9/2005	Dalton	2005/0182401	A1	8/2005	Timm et al.
6,974,478	B2	12/2005	Reiley et al.	2005/0182409	A1	8/2005	Callahan et al.
6,986,771	B2	1/2006	Paul et al.	2005/0203517	A1	9/2005	Jahng et al.
6,989,011	B2	1/2006	Paul et al.	2005/0222569	A1	10/2005	Panjabi
7,029,475	B2	4/2006	Panjabi	2005/0245930	A1	11/2005	Timm et al.
7,041,136	B2	5/2006	Goble et al.	2006/0084994	A1	4/2006	Atkinson et al.
7,074,237	B2	7/2006	Goble et al.	2006/0184171	A1	8/2006	Biedermann et al.
7,074,238	B2	7/2006	Stinson et al.	2006/0189984	A1	8/2006	Fallin et al.
7,083,622	B2	8/2006	Simonson	2007/0225814	A1	9/2007	Atkinson et al.
7,087,084	B2	8/2006	Reiley	2007/0225815	A1	9/2007	Keith et al.
7,090,698	B2	8/2006	Goble et al.	2007/0225816	A1	9/2007	Keith et al.
7,282,065	B2	10/2007	Kirschman	2007/0233257	A1	10/2007	Keith et al.
7,291,150	B2	11/2007	Graf	2007/0239280	A1	10/2007	Keith et al.
7,326,210	B2	2/2008	Jahng et al.				

* cited by examiner



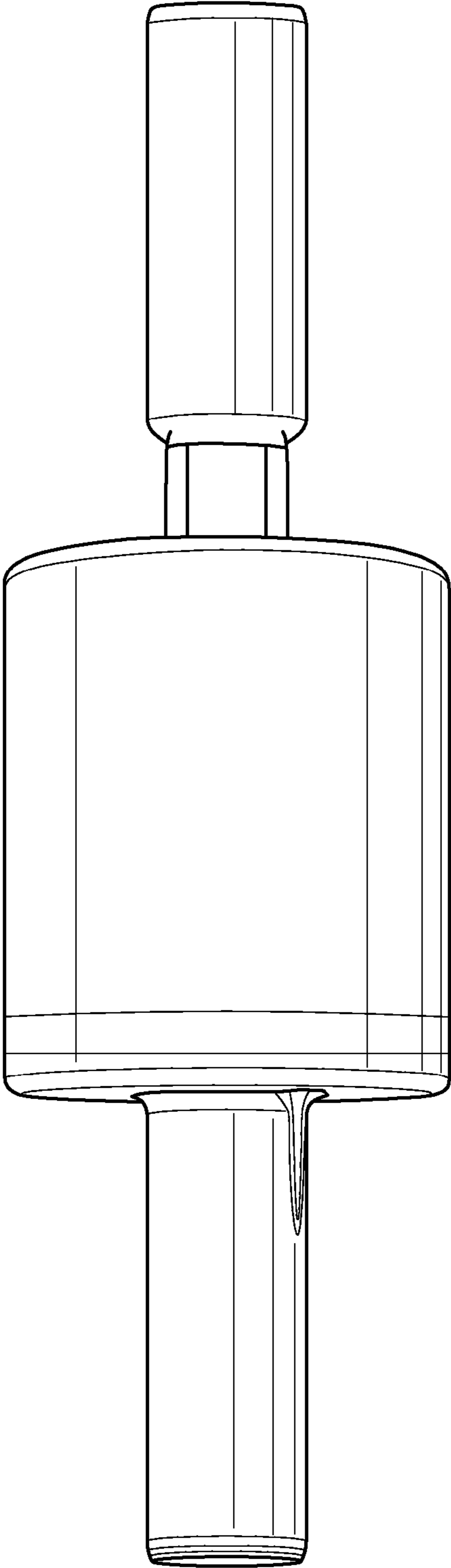


FIG. 2

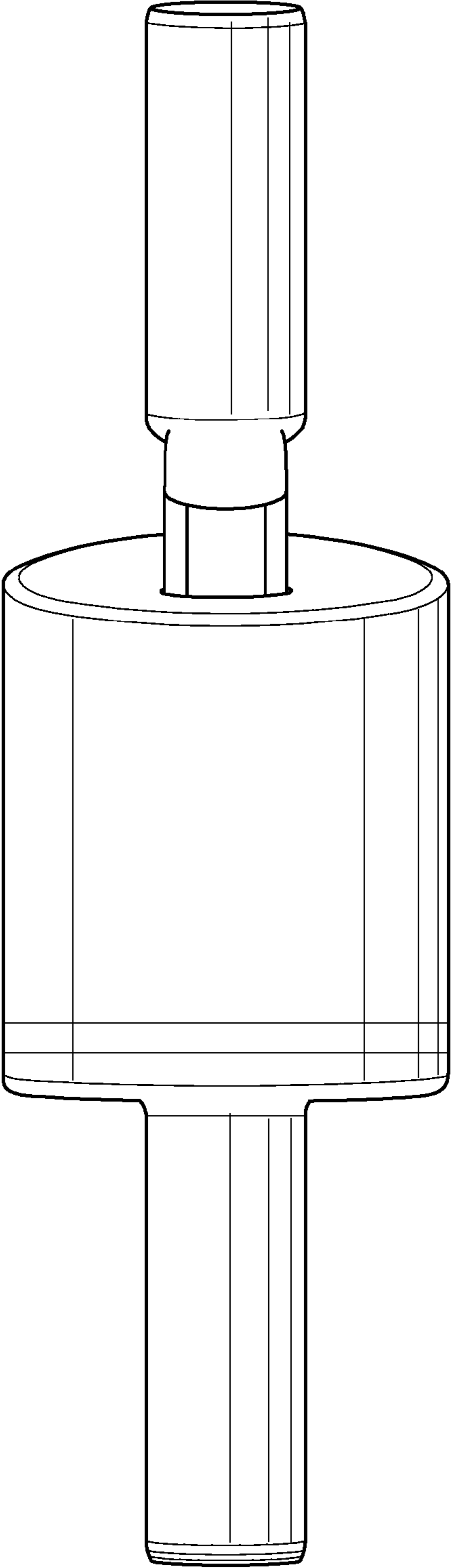


FIG. 3

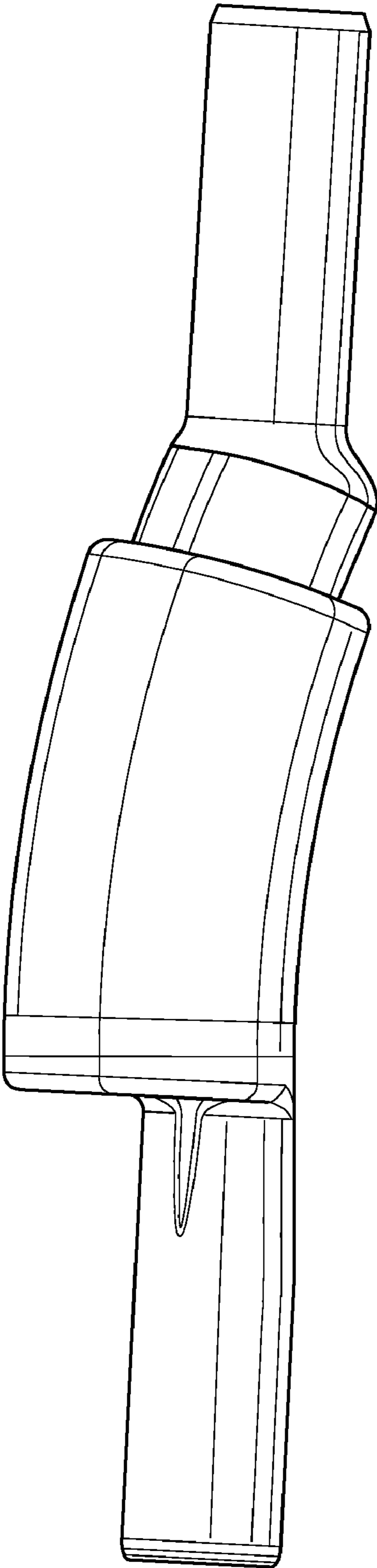


FIG. 4

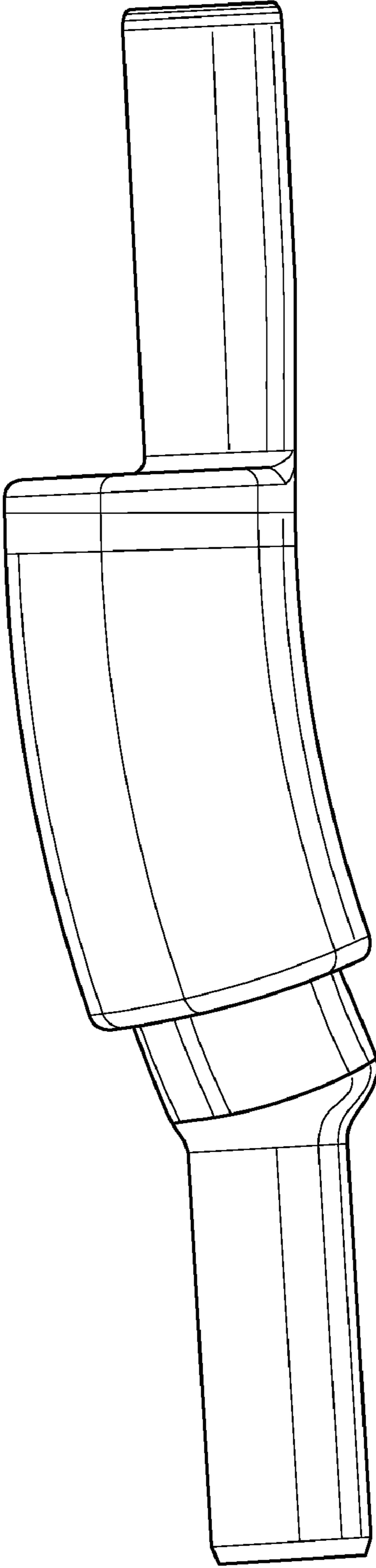


FIG. 5

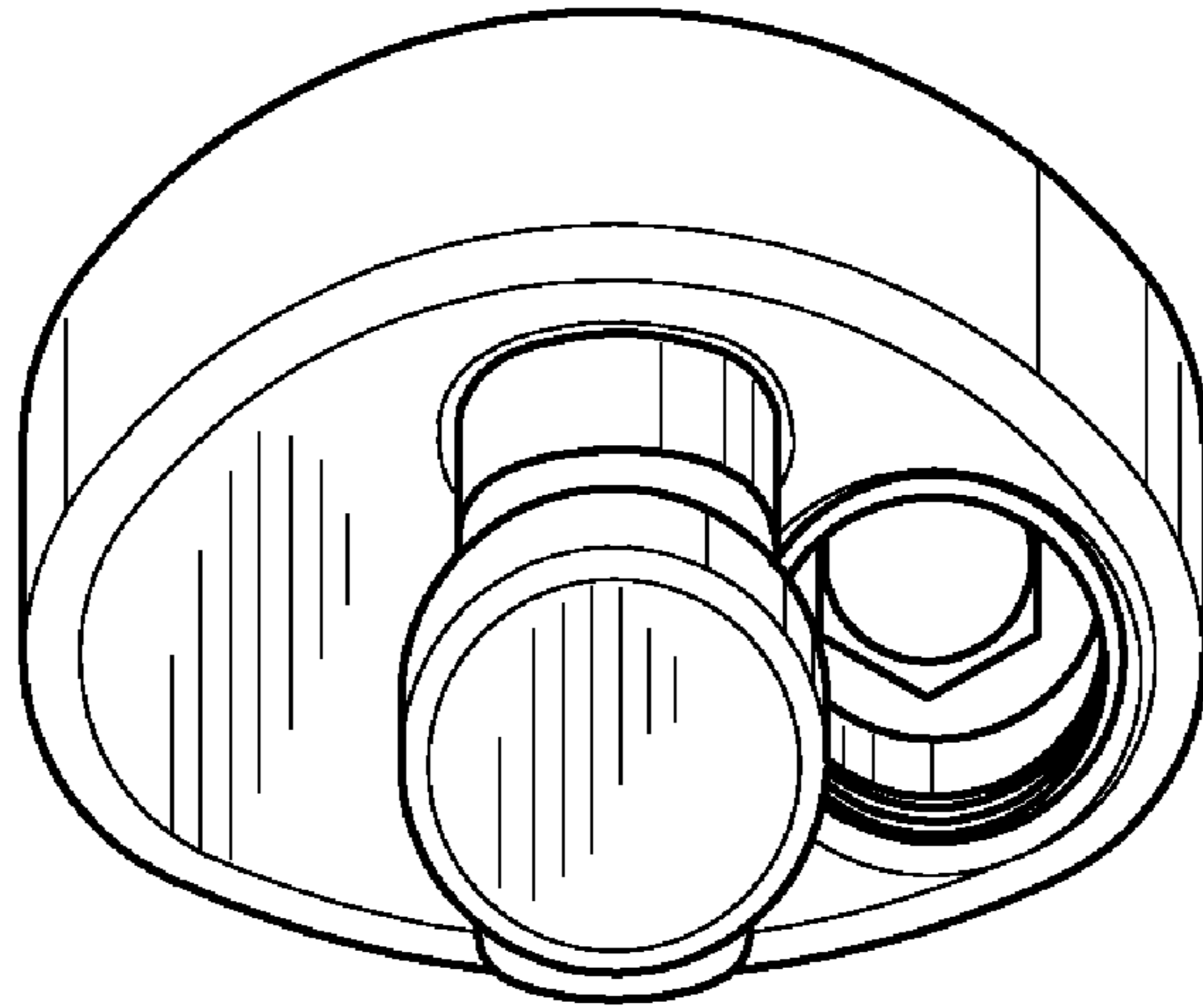


FIG. 6

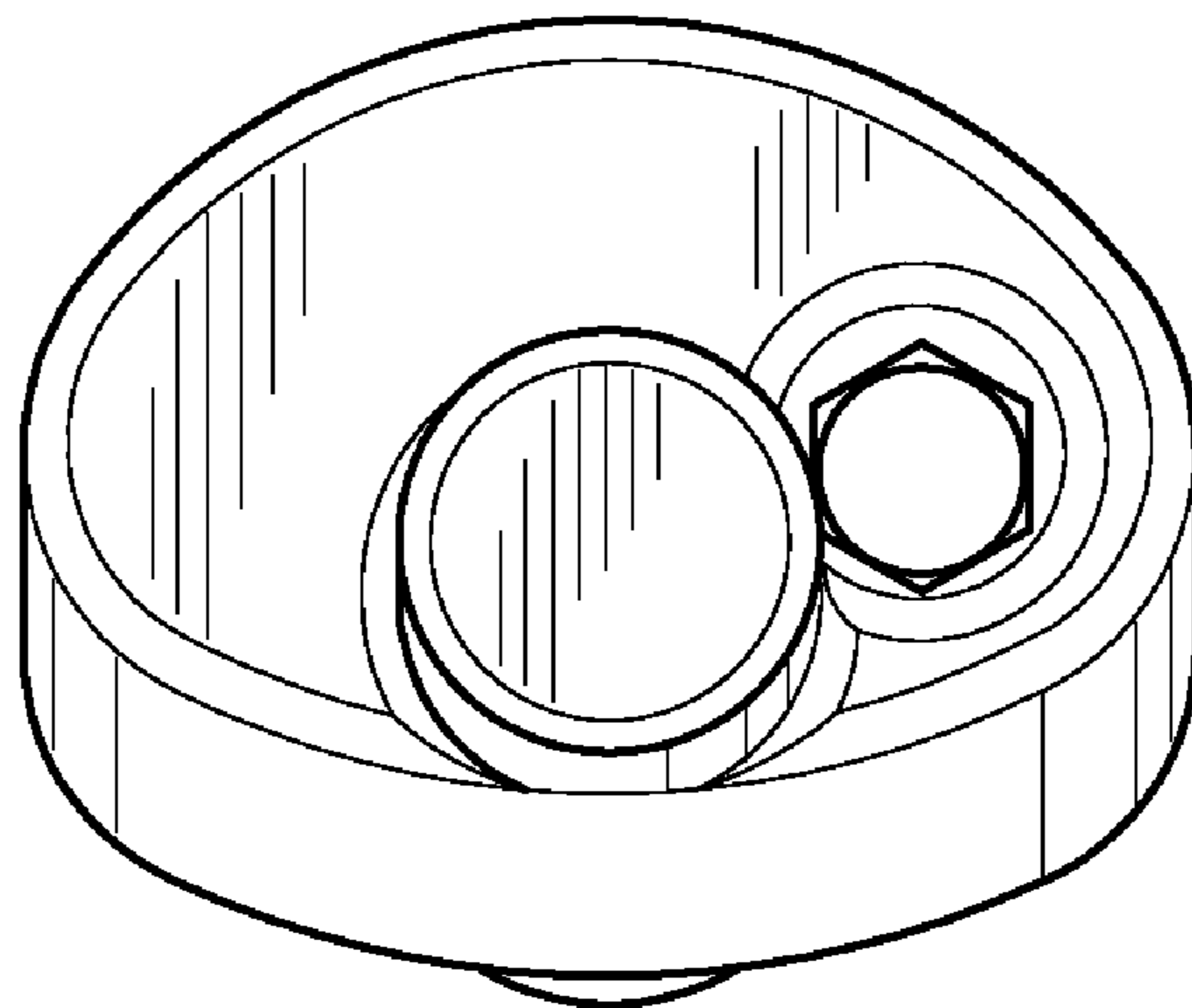


FIG. 7