



US00D618346S

(12) **United States Design Patent**
Sisko et al.

(10) **Patent No.:** **US D618,346 S**
(45) **Date of Patent:** **** Jun. 22, 2010**

(54) **DATA CAPTURE AND RECORDING DEVICE**

(76) Inventors: **Michael A. Sisko**, 5084 Isleworth
Country Club, Windemere, FL (US)
34786; **Glenn Ringel**, 9725 Chestnut
Ridge, Windermere, FL (US) 34786

(**) Term: **14 Years**

(21) Appl. No.: **29/338,653**

(22) Filed: **Jun. 16, 2009**

(51) **LOC (9) Cl.** **24-02**

(52) **U.S. Cl.** **D24/137**

(58) **Field of Classification Search** D24/137-138;
D8/61; 320/114, 117; 351/218, 221; 429/97,
429/100; 600/112, 200; 606/14, 17, 162;
D14/167, 168

See application file for complete search history.

(56) **References Cited**

U.S. PATENT DOCUMENTS

D207,372	S *	4/1967	Pulos	D24/137
D222,925	S *	2/1972	Pulos	D24/137
3,698,387	A *	10/1972	Moore et al.	600/200
4,643,546	A *	2/1987	Richards	351/218
D288,960	S *	3/1987	Riester	D24/137
D289,197	S *	4/1987	Ware et al.	D24/137
5,459,535	A *	10/1995	Cleveland et al.	351/218
5,733,029	A *	3/1998	Monroe	600/200
5,989,186	A *	11/1999	Alatraste	600/200
6,152,873	A *	11/2000	Rogers	600/200
7,276,025	B2 *	10/2007	Roberts et al.	600/200
D566,838	S	4/2008	Slawson et al.		

7,354,399	B2 *	4/2008	Strom et al.	600/200
D594,555	S *	6/2009	Hsu	D24/137
2005/0027168	A1 *	2/2005	Strom et al.	600/200
2005/0171399	A1	8/2005	Rich et al.		

* cited by examiner

Primary Examiner—Ian Simmons

Assistant Examiner—Wan Laymon

(74) *Attorney, Agent, or Firm*—Larkin Hoffman Daly &
Lindgren Ltd.; Craig J. Lervick

(57) **CLAIM**

The ornamental design for a data capture and recording device, as shown and described.

DESCRIPTION

FIG. 1 is a rear perspective view of a data capture and recording device for illustrating my new design;

FIG. 2 is a side view thereof;

FIG. 3 is an opposite side view thereof;

FIG. 4 is a front view thereof;

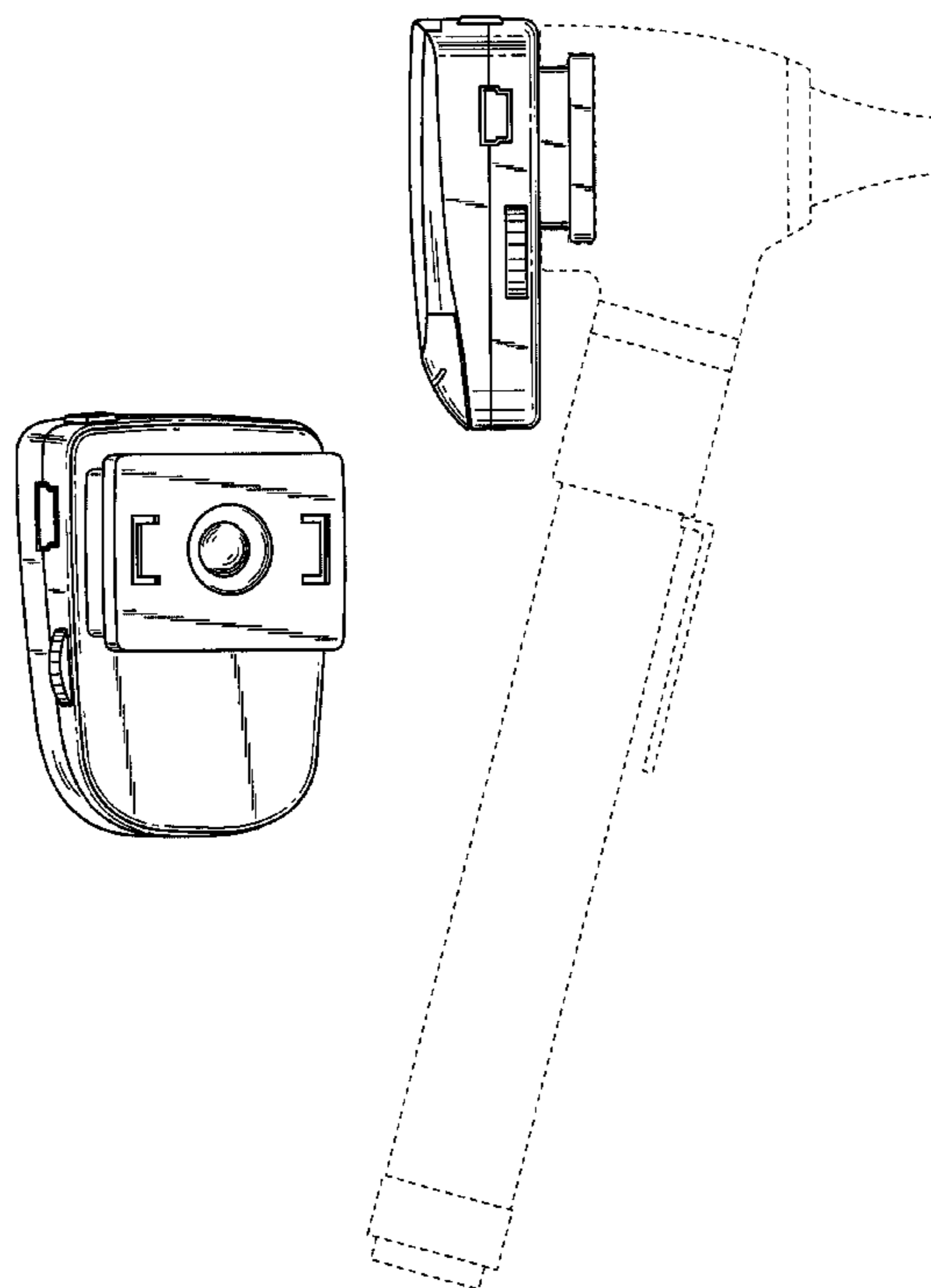
FIG. 5 is a rear view thereof;

FIG. 6 is a top view thereof; and,

FIG. 7 is a bottom view thereof.

The broken line showing the otoscope in FIG. 2 is included to indicate environmental structure and forms no part of the claimed design. The additional broken lines represent portions of the data capture and recording device that form no part of the claim.

1 Claim, 4 Drawing Sheets



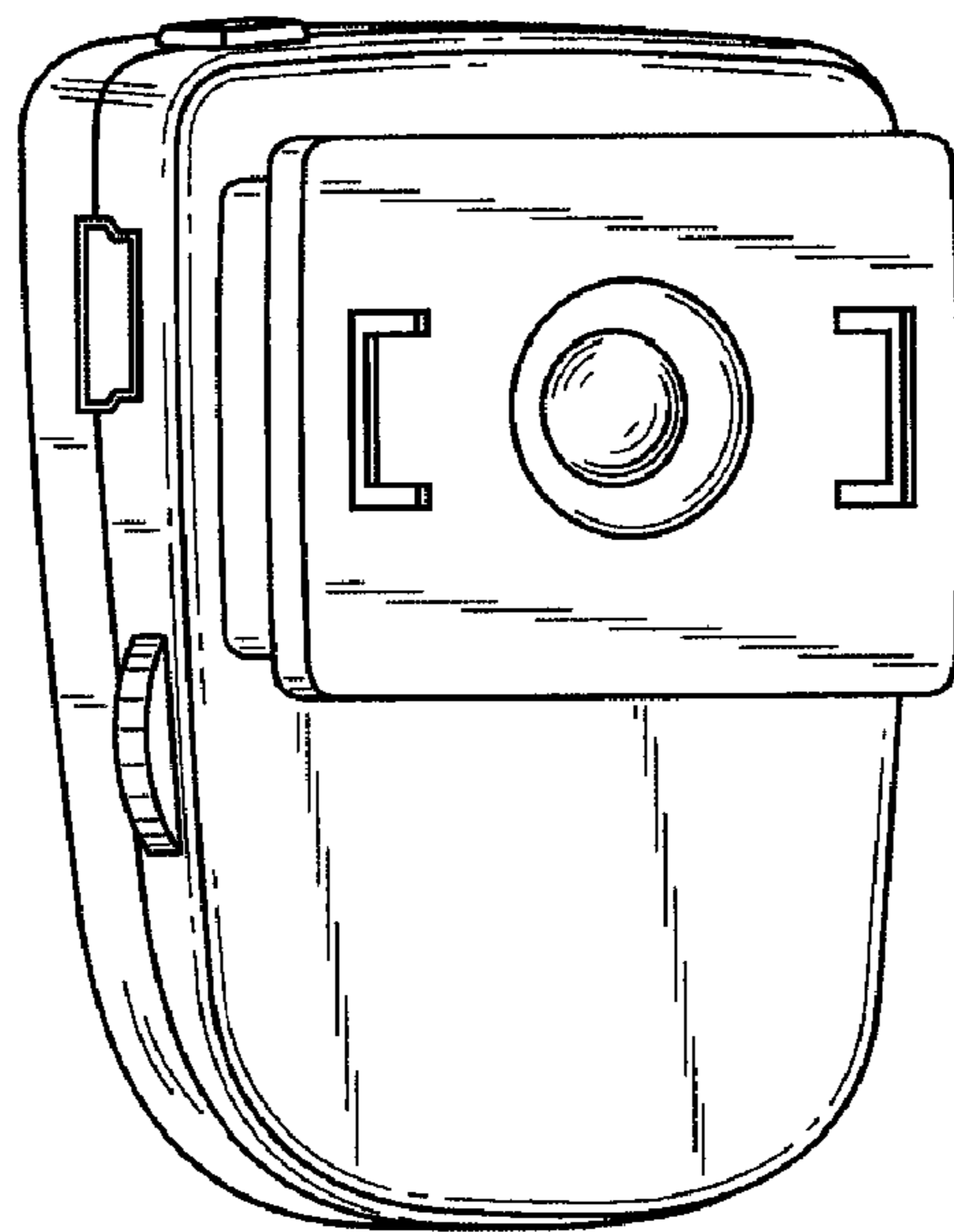


Fig. 1

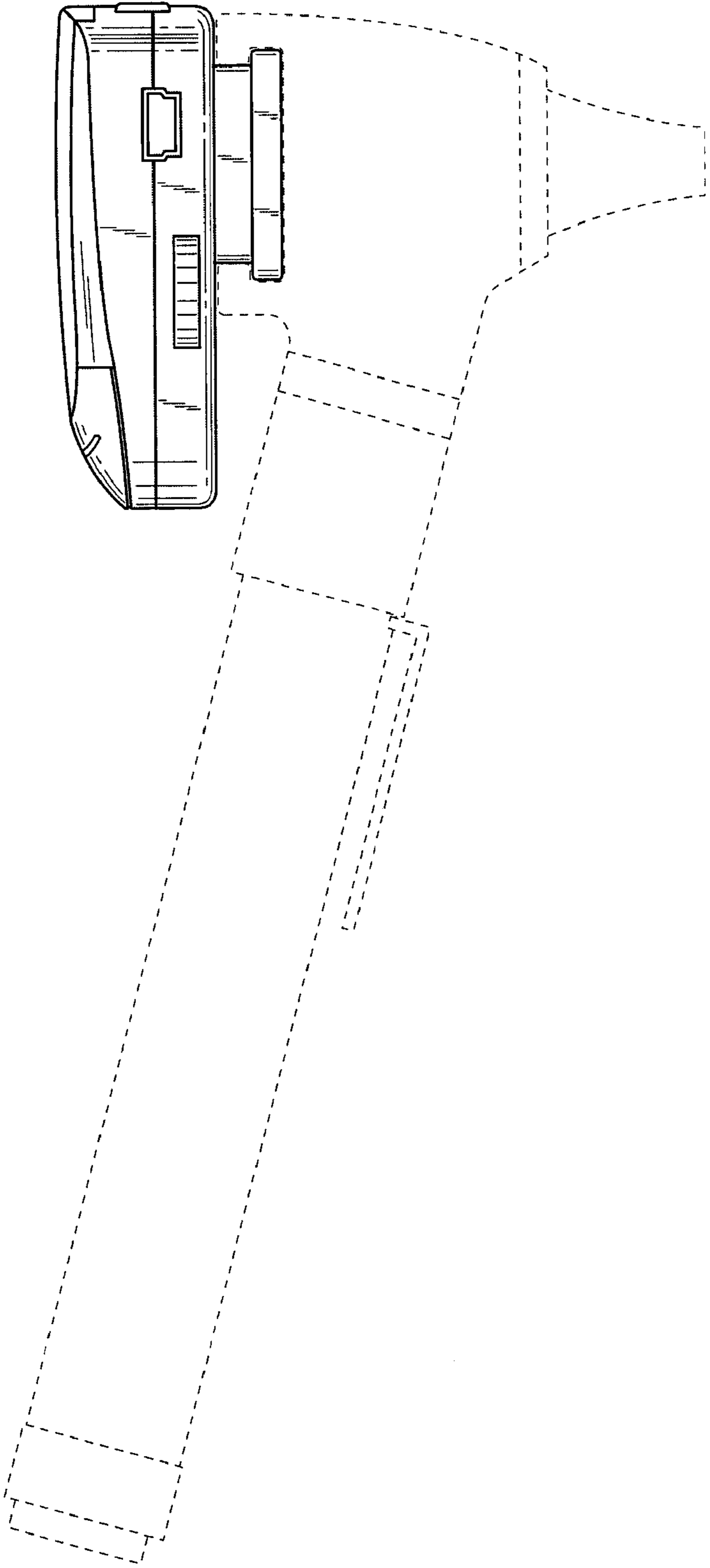


Fig. 2

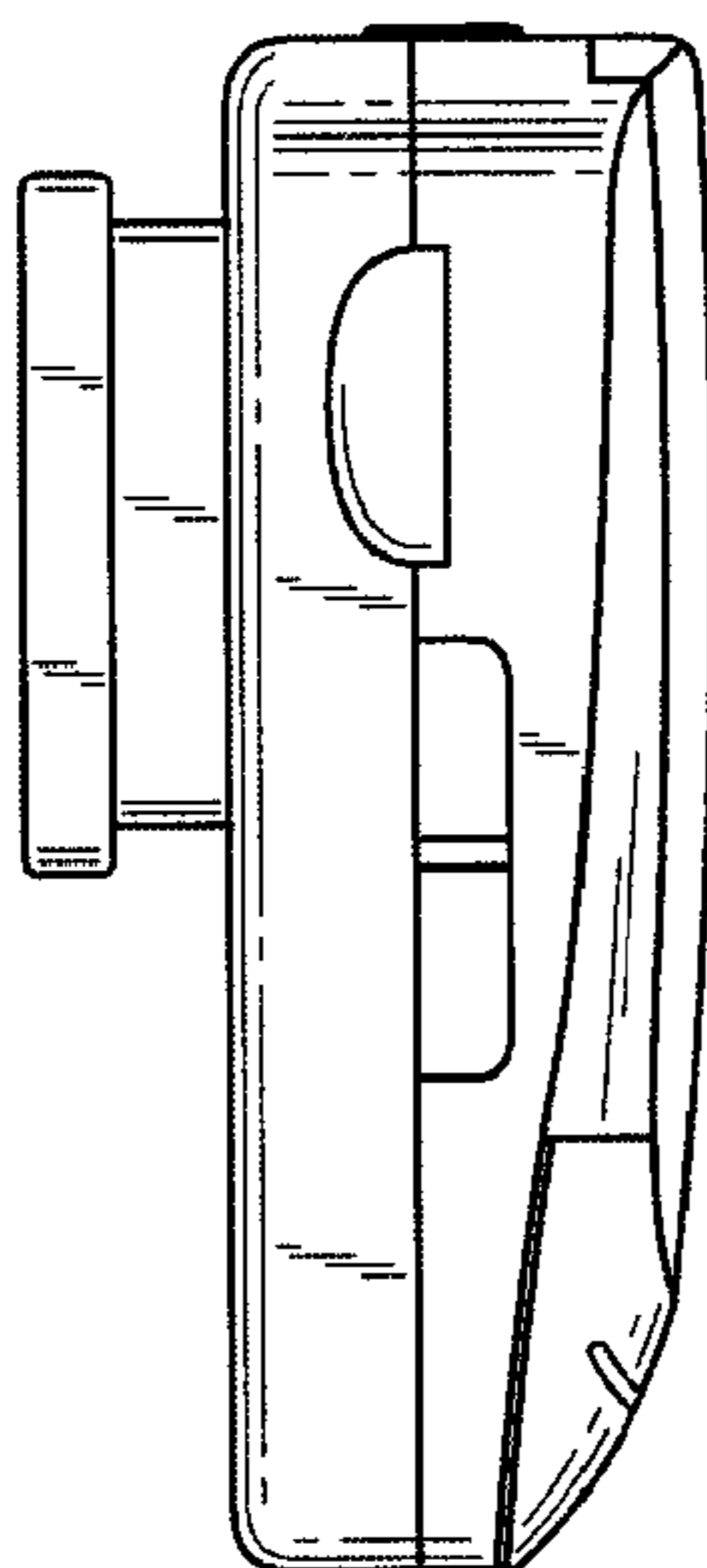


Fig. 3

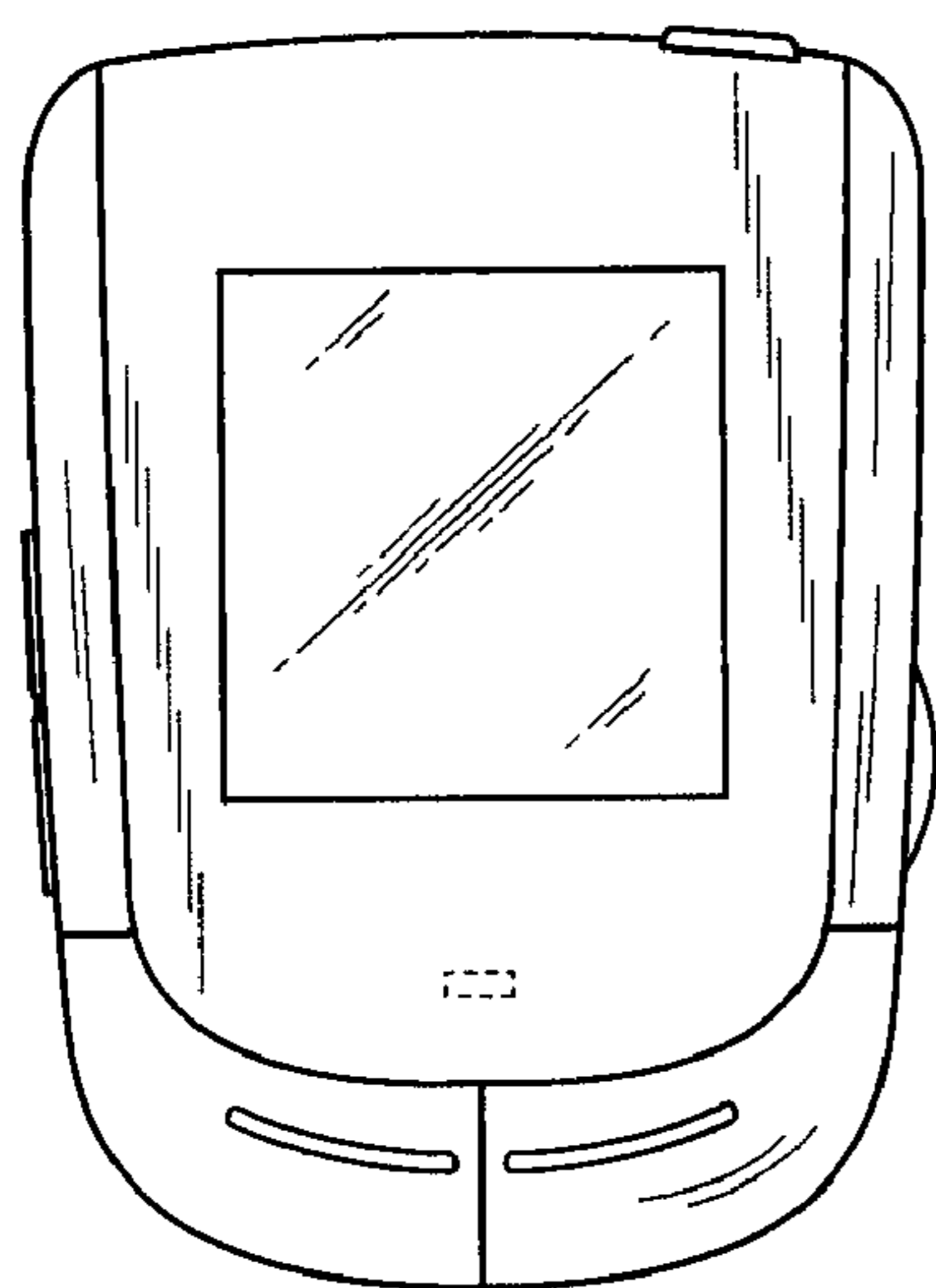


Fig. 4

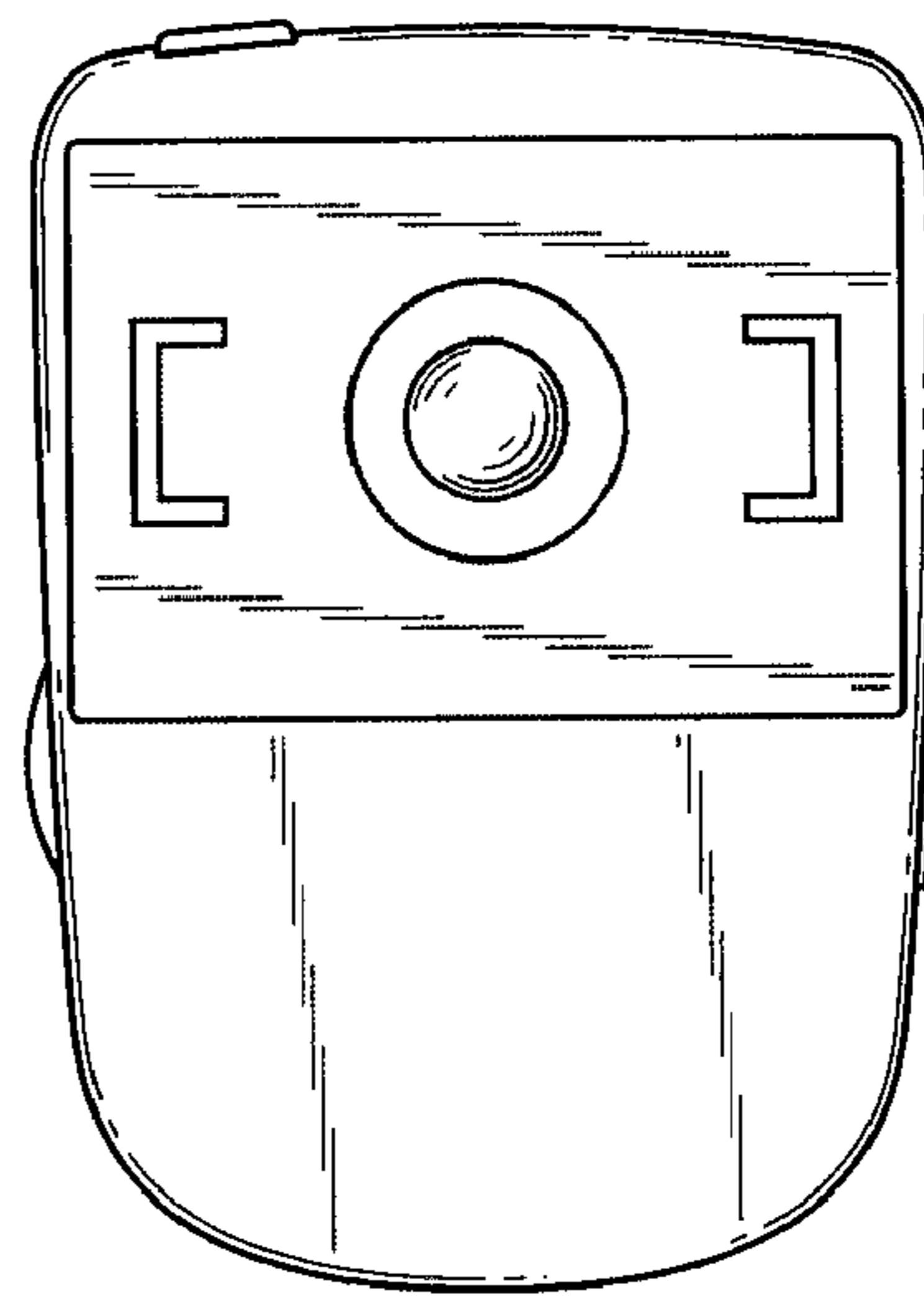


Fig. 5

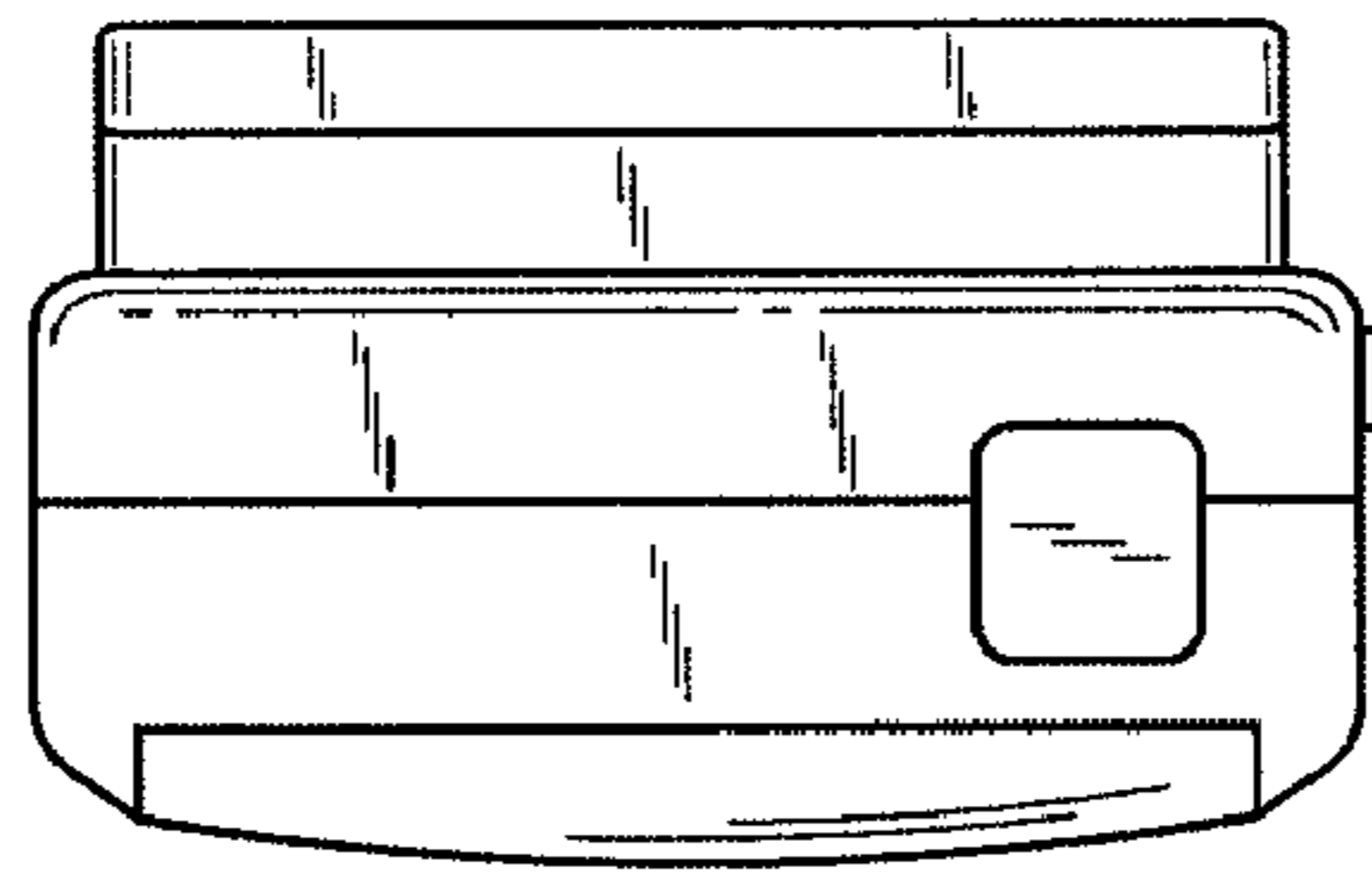


Fig. 6

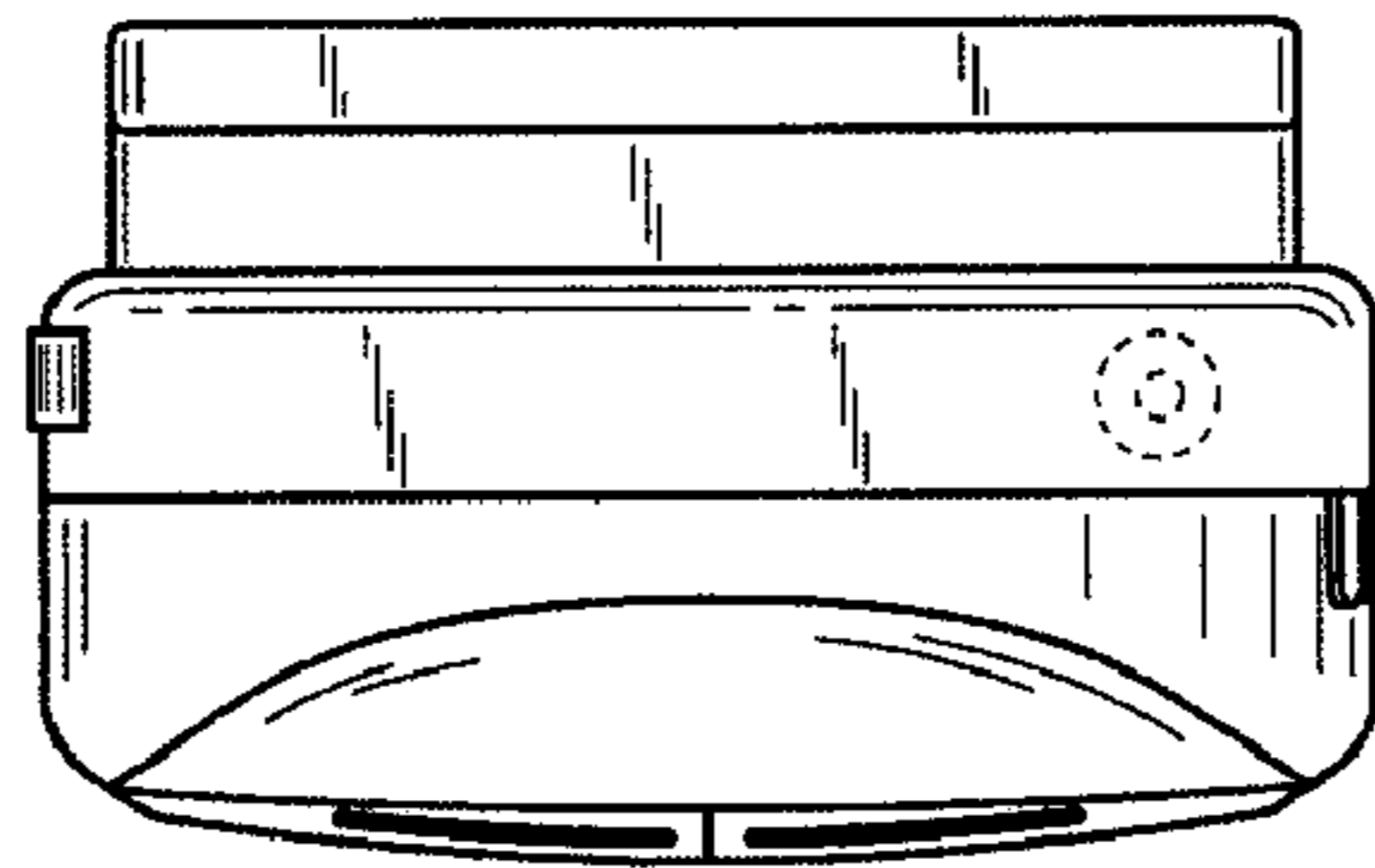


Fig. 7