



US00D618343S

(12) **United States Design Patent**  
**Stephens et al.**

(10) **Patent No.:** **US D618,343 S**

(45) **Date of Patent:** **\*\* Jun. 22, 2010**

(54) **INCONTINENCE PAD WITH RECEPTACLE**

(76) Inventors: **Lynn Babb Stephens**, 115 Patriot Pl.,  
Dothan, AL (US) 36305; **George**  
**Gregory Stephens**, 115 Patriot Pl.,  
Dothan, AL (US) 36305

(\*\*) Term: **14 Years**

(21) Appl. No.: **29/341,133**

(22) Filed: **Jul. 31, 2009**

(51) **LOC (9) Cl.** ..... **24-04**

(52) **U.S. Cl.** ..... **D24/124; D24/125**

(58) **Field of Classification Search** ..... D24/124,  
D24/125, 126; 604/358, 359, 378, 384, 385.1,  
604/386, 387

See application file for complete search history.

(56) **References Cited**

**U.S. PATENT DOCUMENTS**

2,341,984	A *	2/1944	Graves	.....	604/332
3,548,828	A *	12/1970	Vasile	.....	604/328
4,067,335	A *	1/1978	Silvanov	.....	604/328
4,368,733	A *	1/1983	Sanidas	.....	604/327
4,411,659	A *	10/1983	Jensen et al.	.....	604/332
D271,800	S *	12/1983	Brendling	.....	D24/124
4,445,898	A *	5/1984	Jensen	.....	604/337
D298,566	S *	11/1988	Runeman	.....	D24/124
4,784,656	A *	11/1988	Christian	.....	604/355
D316,756	S *	5/1991	Robbins	.....	D24/121
D387,159	S *	12/1997	Eiterjord et al.	.....	D24/125
D396,284	S *	7/1998	Schaefer	.....	D24/122

5,951,532	A *	9/1999	Olsen	.....	604/332
D417,940	S *	12/1999	Coates et al.	.....	D2/713
D432,233	S *	10/2000	Stasi et al.	.....	D24/124
D482,446	S *	11/2003	Rainville-Lonn et al.	...	D24/125
6,685,685	B2 *	2/2004	Sugita et al.	.....	604/355
6,685,687	B2 *	2/2004	Mishima et al.	.....	604/385.19
6,716,204	B1 *	4/2004	D'Acchioli et al.	....	604/385.19
6,951,552	B2 *	10/2005	D'Acchioli et al.	.....	604/319
D589,610	S *	3/2009	Dubose, Jr.	.....	D24/124
7,513,894	B2 *	4/2009	Howlett	.....	604/355

\* cited by examiner

*Primary Examiner*—Holly H Baynham

*Assistant Examiner*—Michelle E Wilson

(74) *Attorney, Agent, or Firm*—Maier & Maier, PLLC

(57) **CLAIM**

The ornamental design for an incontinence pad with receptacle, as shown and described.

**DESCRIPTION**

FIG. 1 is an isometric view of an incontinence pad with receptacle, showing my design;

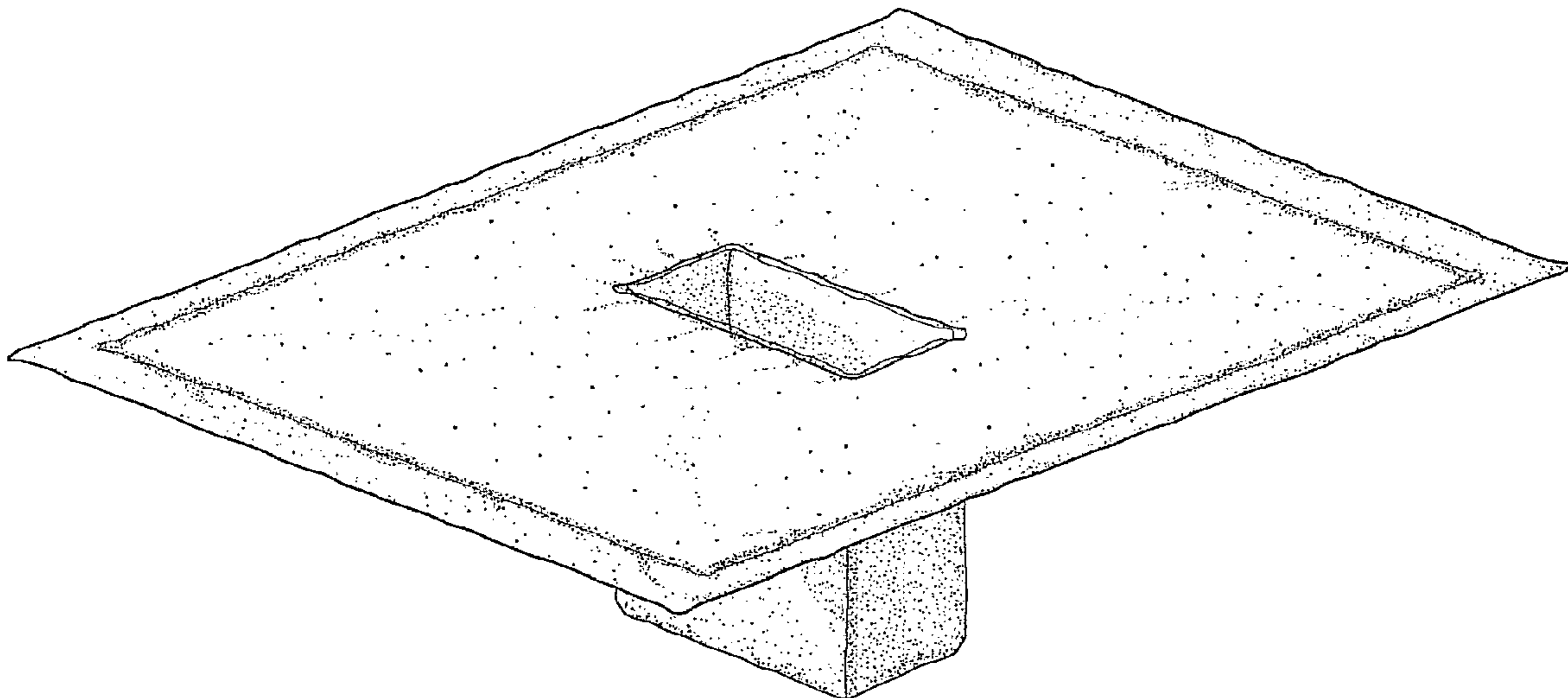
FIG. 2 is a top view thereof;

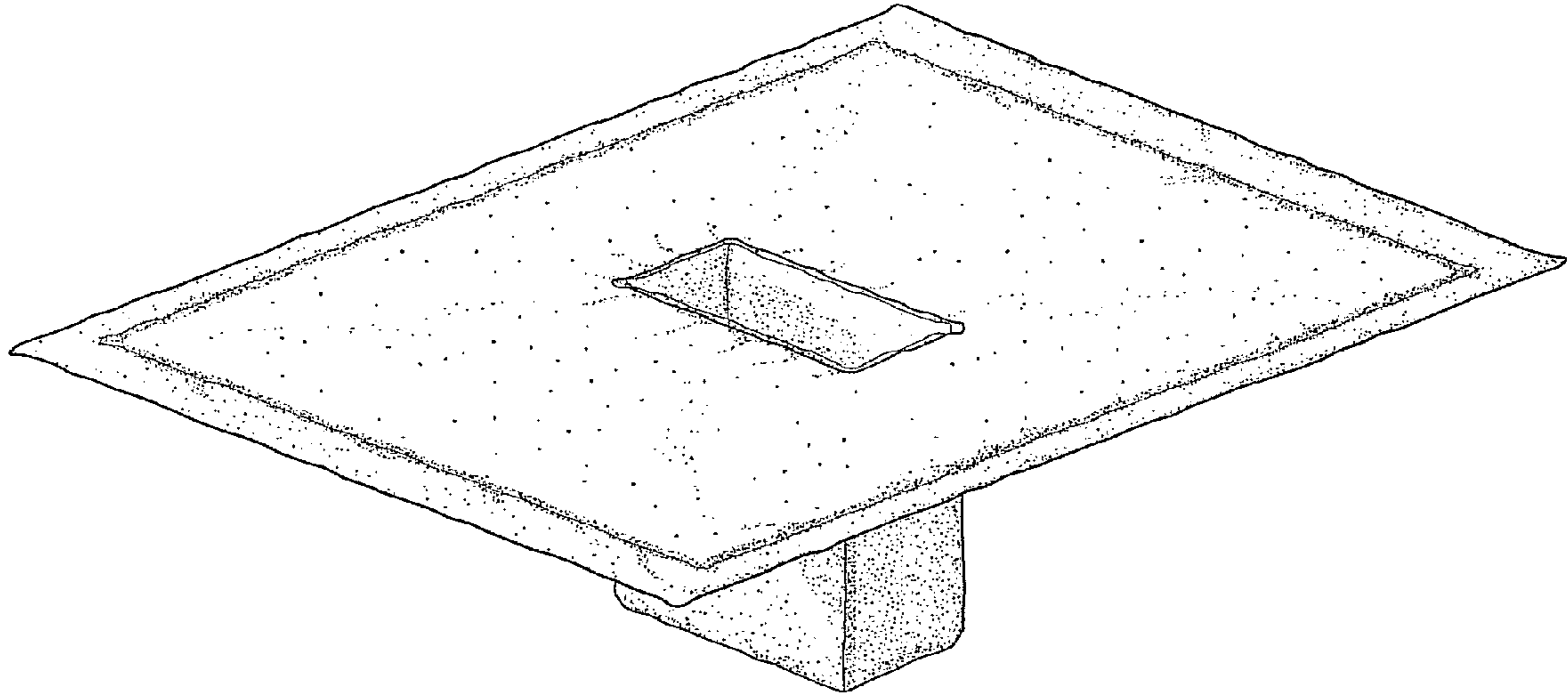
FIG. 3 is a bottom view thereof;

FIG. 4 is a front elevational view thereof, the rear elevational view being substantially identical thereto; and,

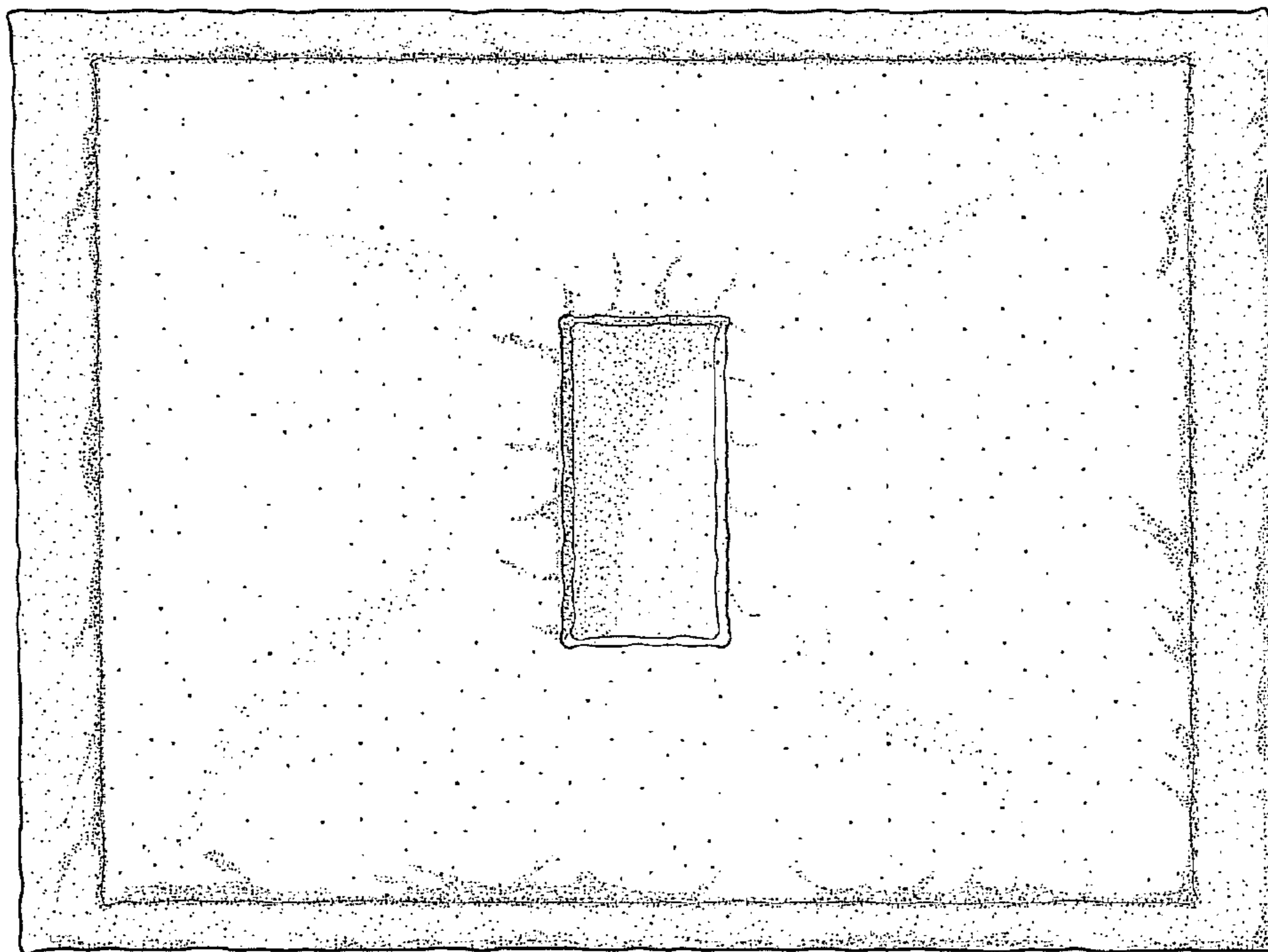
FIG. 5 is a left side elevational view thereof, the right side elevational view being substantially identical thereto.

**1 Claim, 2 Drawing Sheets**

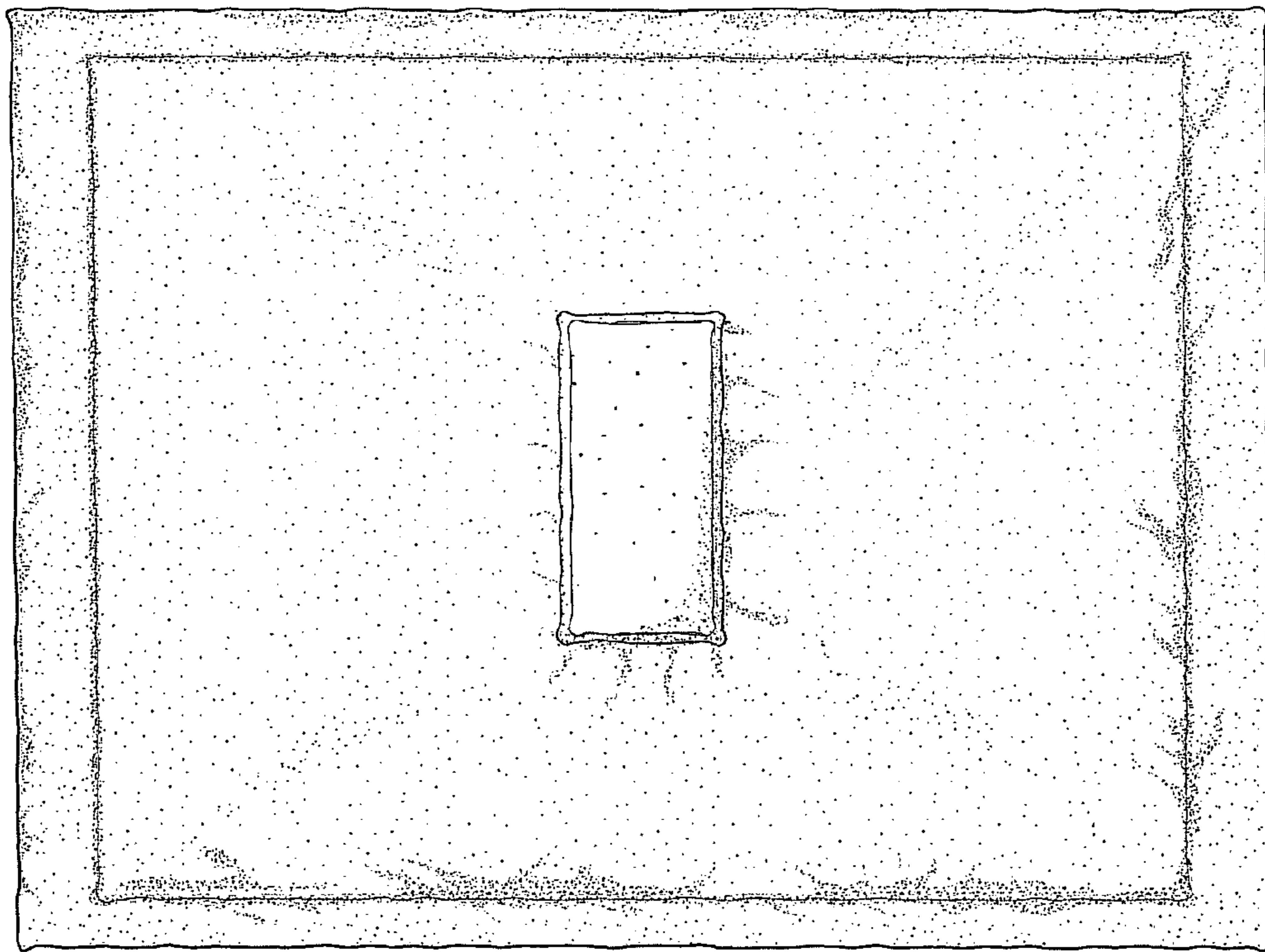




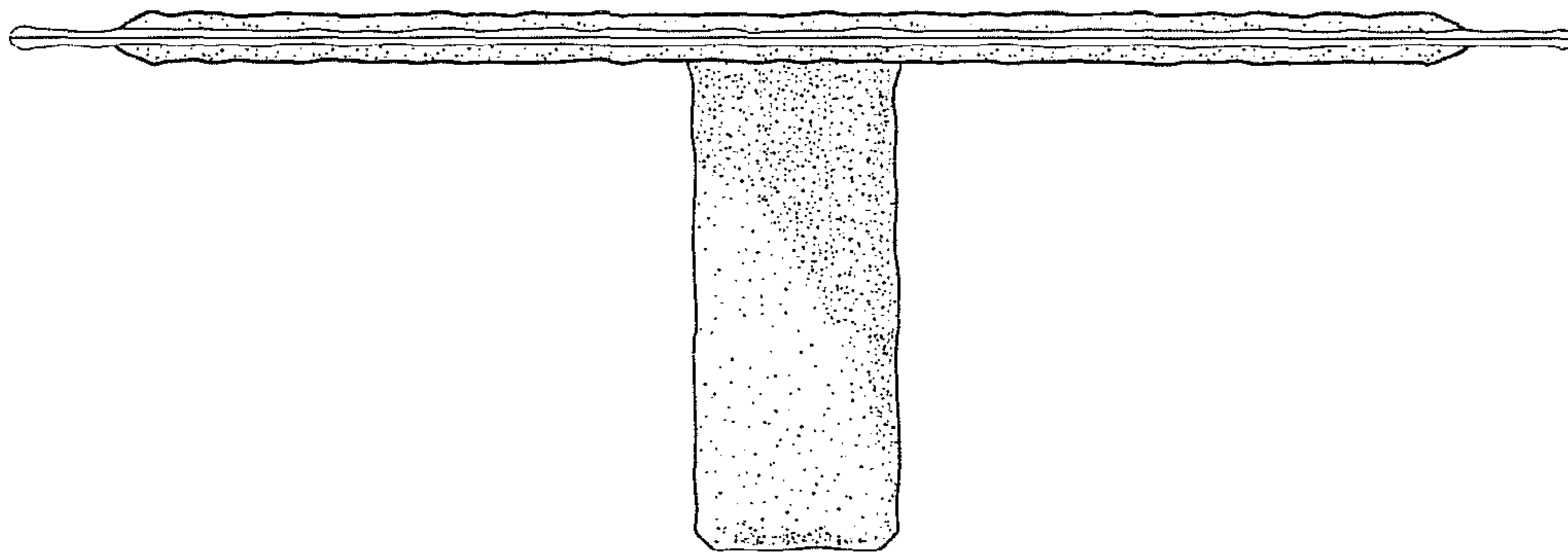
**Fig. 1**



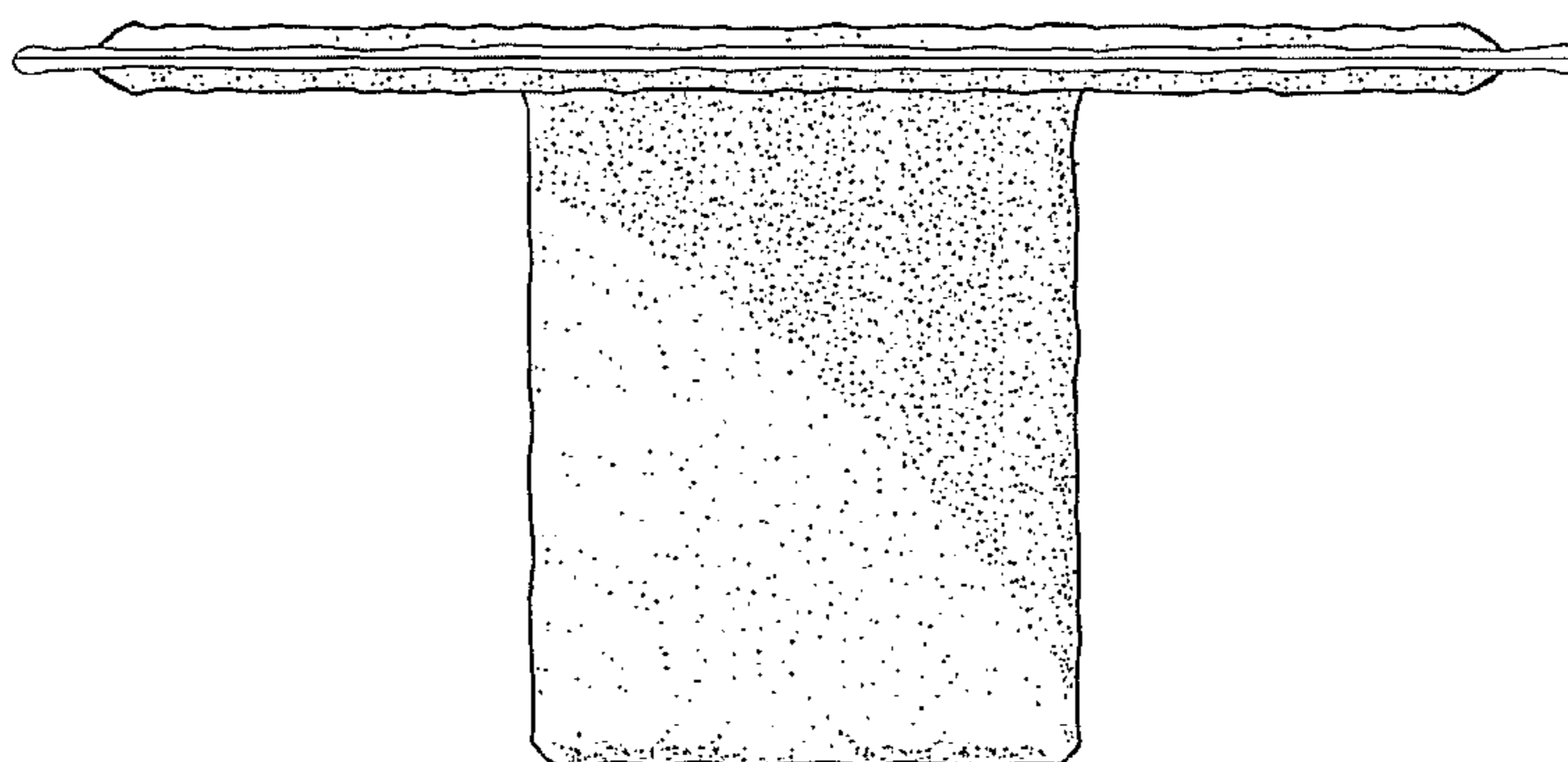
**Fig. 2**



*Fig. 3*



*Fig. 4*



*Fig. 5*