



US00D618342S

(12) **United States Design Patent**  
**Perrin et al.**

(10) **Patent No.:** **US D618,342 S**  
(45) **Date of Patent:** **\*\* Jun. 22, 2010**

(54) **TANK FOR EYEWASH SYSTEM**

(75) Inventors: **Timothy E. Perrin**, Hartford, WI (US);  
**Gerard Val Madritsch**, Milwaukee, WI  
(US); **Theodore E. Dhein**, Sussex, WI  
(US); **Jeffrey S. Jaworski**, Sussex, WI  
(US)

(73) Assignee: **Bradley Fixtures Corporation**,  
Menomonee Falls, WI (US)

(\*\*) Term: **14 Years**

(21) Appl. No.: **29/292,830**

(22) Filed: **Oct. 29, 2007**

(51) **LOC (9) Cl.** ..... **24-04**

(52) **U.S. Cl.** ..... **D24/121; D9/528**

(58) **Field of Classification Search** ..... D9/528,  
D9/531, 543, 547, 575; D24/108, 121, 122,  
D24/224, 232; 4/620; 215/380, 382, 383,  
215/384, 385, 398; 220/669, 670, 672; 604/294,  
604/295, 300

See application file for complete search history.

(56) **References Cited**

**U.S. PATENT DOCUMENTS**

1,879,344 A	9/1932	Lawler	
2,317,717 A	4/1943	Bauman	
D167,991 S *	10/1952	Mack	D23/211.2
2,792,847 A	5/1957	Spencer	
3,061,195 A	10/1962	Bowman	
D210,569 S *	3/1968	Kelly	D9/528
D212,350 S *	10/1968	Kelly	D9/527
D225,101 S *	11/1972	Marchetti	D9/527
3,782,412 A	1/1974	Darash	
4,012,798 A	3/1977	Liautaud	
4,195,656 A	4/1980	Kanerva et al.	
4,363,146 A	12/1982	Liautaud	
D296,420 S *	6/1988	Frahm et al.	D9/522
4,862,913 A	9/1989	Wildfang	
4,881,283 A	11/1989	Liautaud	
4,881,650 A *	11/1989	Bartz	220/573
4,889,261 A *	12/1989	Conrad	222/130

4,939,800 A	7/1990	Fiorentino et al.	
D310,170 S *	8/1990	Bartz	D15/152
5,002,199 A *	3/1991	Frahm	220/670
5,008,963 A	4/1991	Stein	
D325,871 S *	5/1992	Hestehave et al.	D9/520
5,171,307 A	12/1992	Sanning	
5,216,765 A	6/1993	Paterson et al.	
D339,022 S *	9/1993	McGinnis et al.	D7/306
5,381,567 A	1/1995	Tanner et al.	
5,566,406 A	10/1996	Demeny et al.	
D419,885 S *	2/2000	Gonzalez C.	D9/531
D438,983 S	3/2001	Stein	
6,280,408 B1	8/2001	Sipin	

(Continued)

**OTHER PUBLICATIONS**

Bradley Corporation, Emergency Fixtures, Sep. 2006; 40 pages.

(Continued)

*Primary Examiner*—Elizabeth A Albert  
*Assistant Examiner*—Karen E Eldridge Powers  
(74) *Attorney, Agent, or Firm*—Foley & Lardner LLP

(57) **CLAIM**

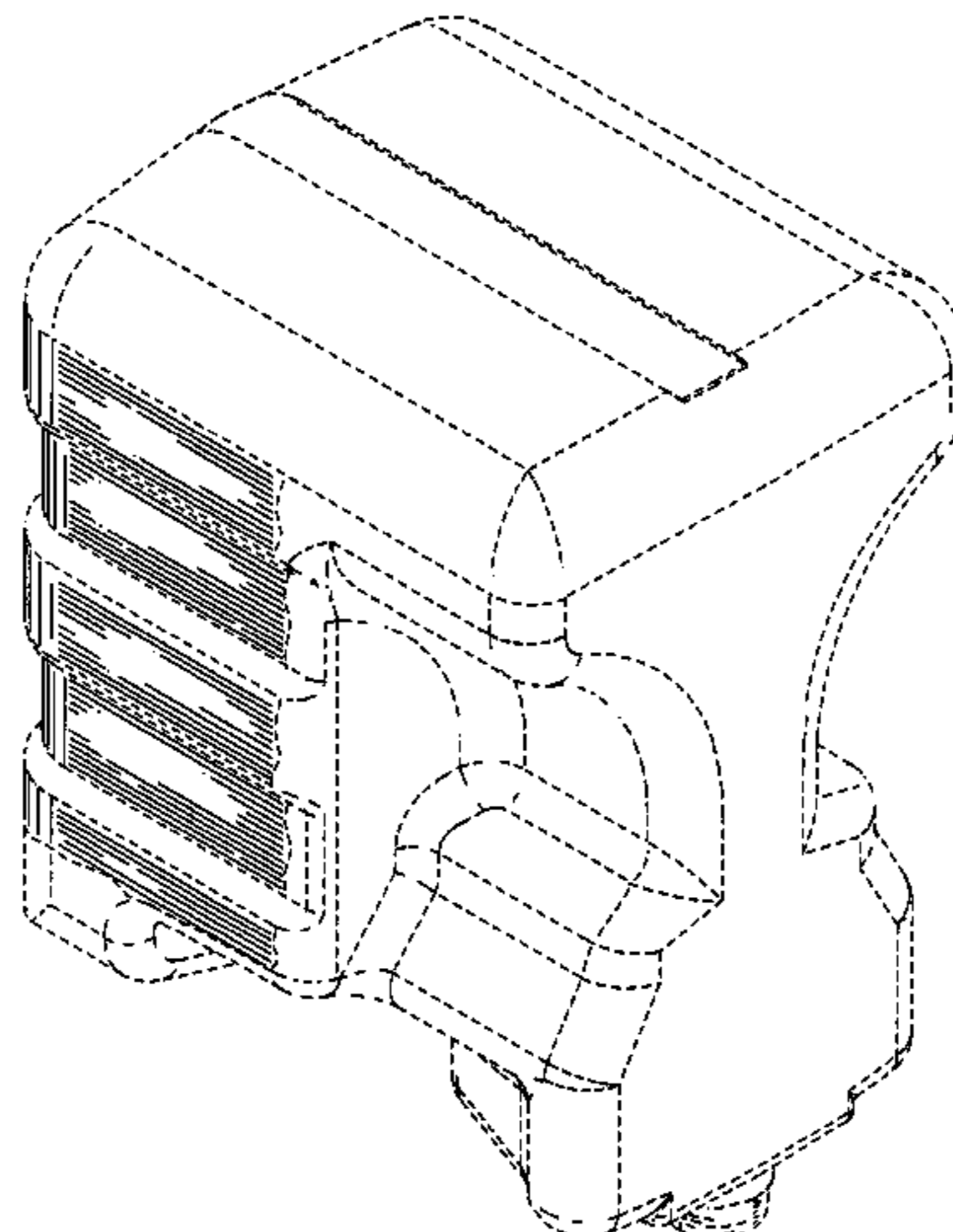
We claim the ornamental design for a tank for eyewash system, as shown and described.

**DESCRIPTION**

FIG. 1 is a perspective view of a first embodiment of the claimed design;  
FIG. 2 is a side view of FIG. 1;  
FIG. 3 is a side view of FIG. 1;  
FIG. 4 is an end view of FIG. 1;  
FIG. 5 is an end view of FIG. 1;  
FIG. 6 is a top view of FIG. 1; and,  
FIG. 7 is a bottom view of FIG. 1.

The broken lines in the drawings illustrate environmental matter and form no part of the claimed design.

**1 Claim, 6 Drawing Sheets**



# US D618,342 S

Page 2

## U.S. PATENT DOCUMENTS

6,296,626 B1 10/2001 Stein  
D461,414 S \* 8/2002 Soehnlén ..... D9/528  
6,543,478 B2 4/2003 Kline  
6,610,036 B2 8/2003 Branch et al.  
D488,067 S \* 4/2004 Dorn et al. .... D9/528  
D498,677 S \* 11/2004 Darr et al. .... D9/528  
6,837,267 B2 1/2005 Weis et al.  
7,000,794 B2 \* 2/2006 Soehnlén et al. .... 215/398  
7,007,803 B2 \* 3/2006 Richter ..... 206/527  
D529,185 S 9/2006 Zhou  
D530,212 S \* 10/2006 Darr et al. .... D9/543  
7,143,784 B2 12/2006 Fangmeier et al.  
7,278,177 B1 10/2007 Duffie

D601,426 S \* 10/2009 Darr et al. .... D9/522  
D609,776 S \* 2/2010 Nirenberg ..... D23/211.1  
2009/0321386 A1 \* 12/2009 Lane et al. .... 215/384

## OTHER PUBLICATIONS

Bradley Corporation, Installation S19-921, S19-921H, S19-921HR, Sep. 12, 2007; 19 pages.

Bradley Corporation, Plumbing Fixtures Technical Data, On-Site® Gravity-Fed Eyewash, Model S19-921, S19-921H and S19-899, Mar. 20, 2007; 2 pages.

Neoperl, NV25 Check Valve Insert, bearing a designation "06/06"; 1 page.

\* cited by examiner

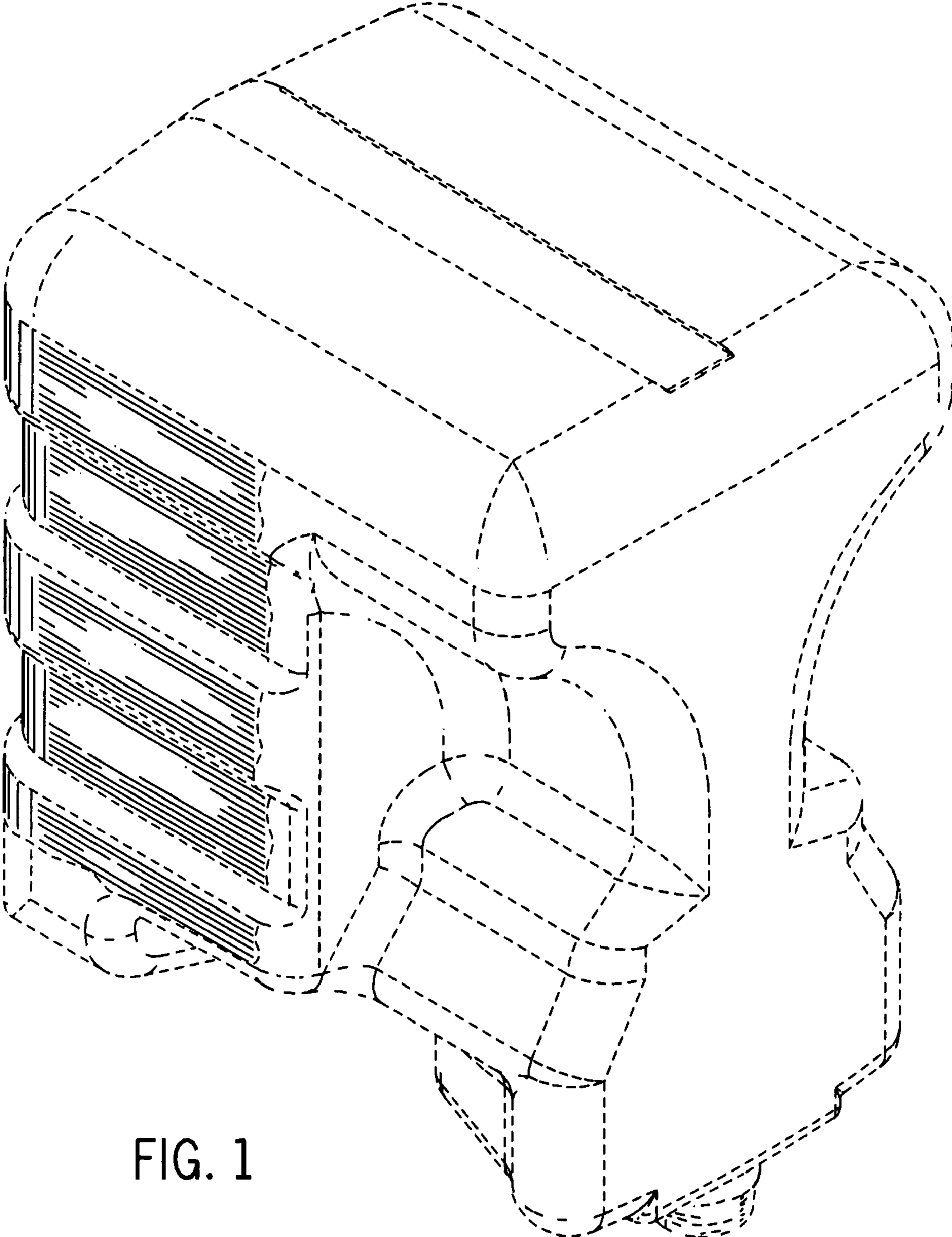


FIG. 1

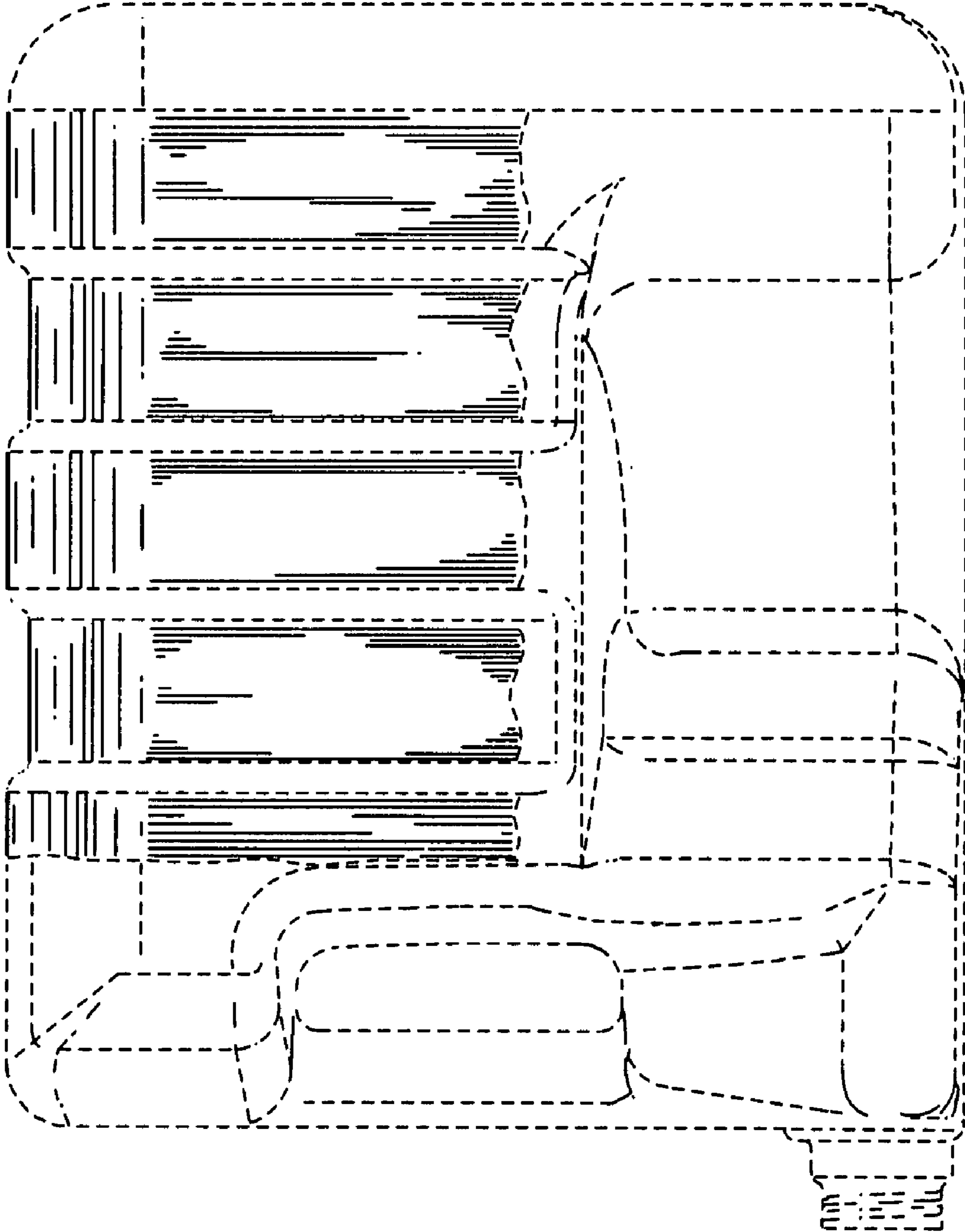


FIG. 2

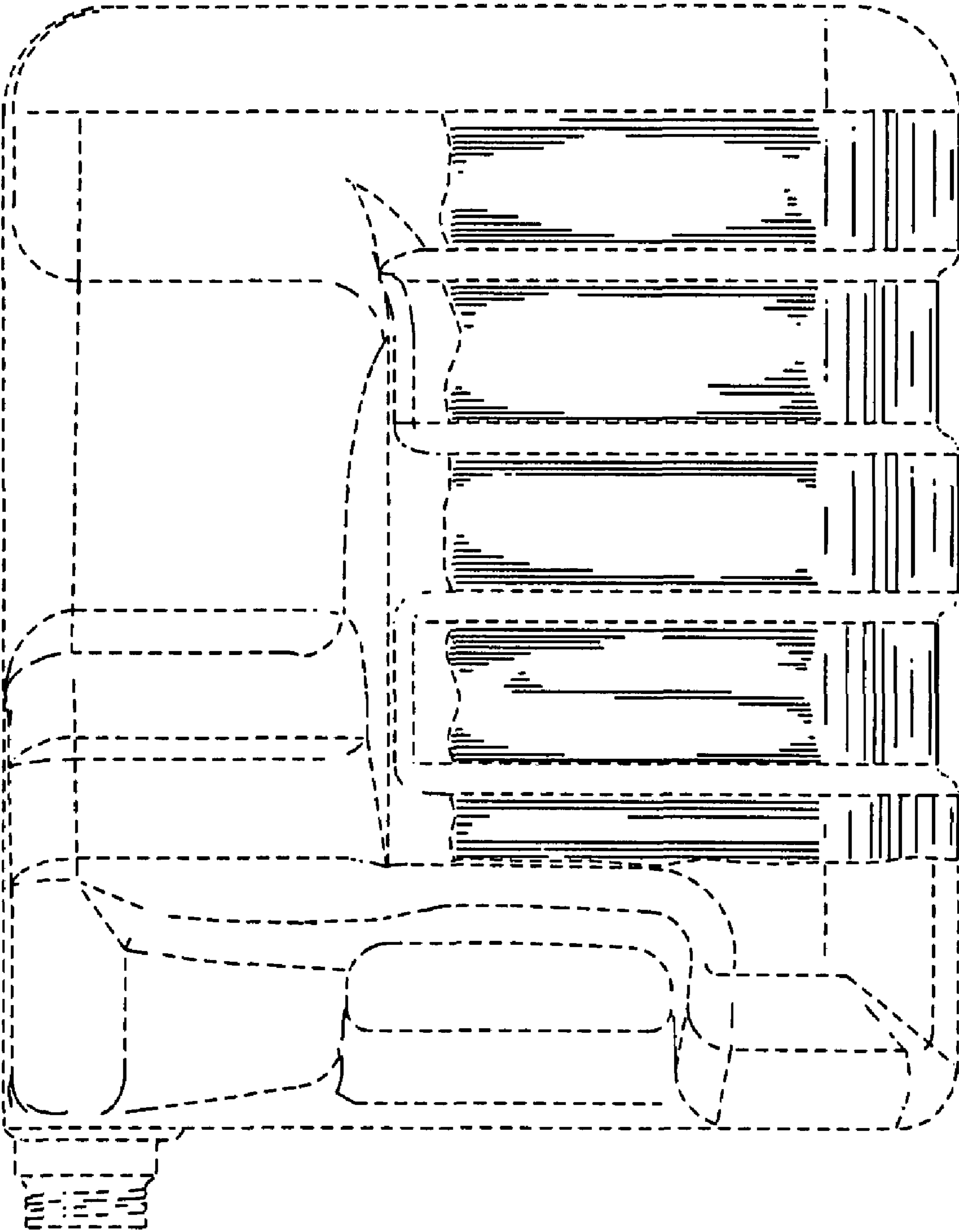


FIG. 3

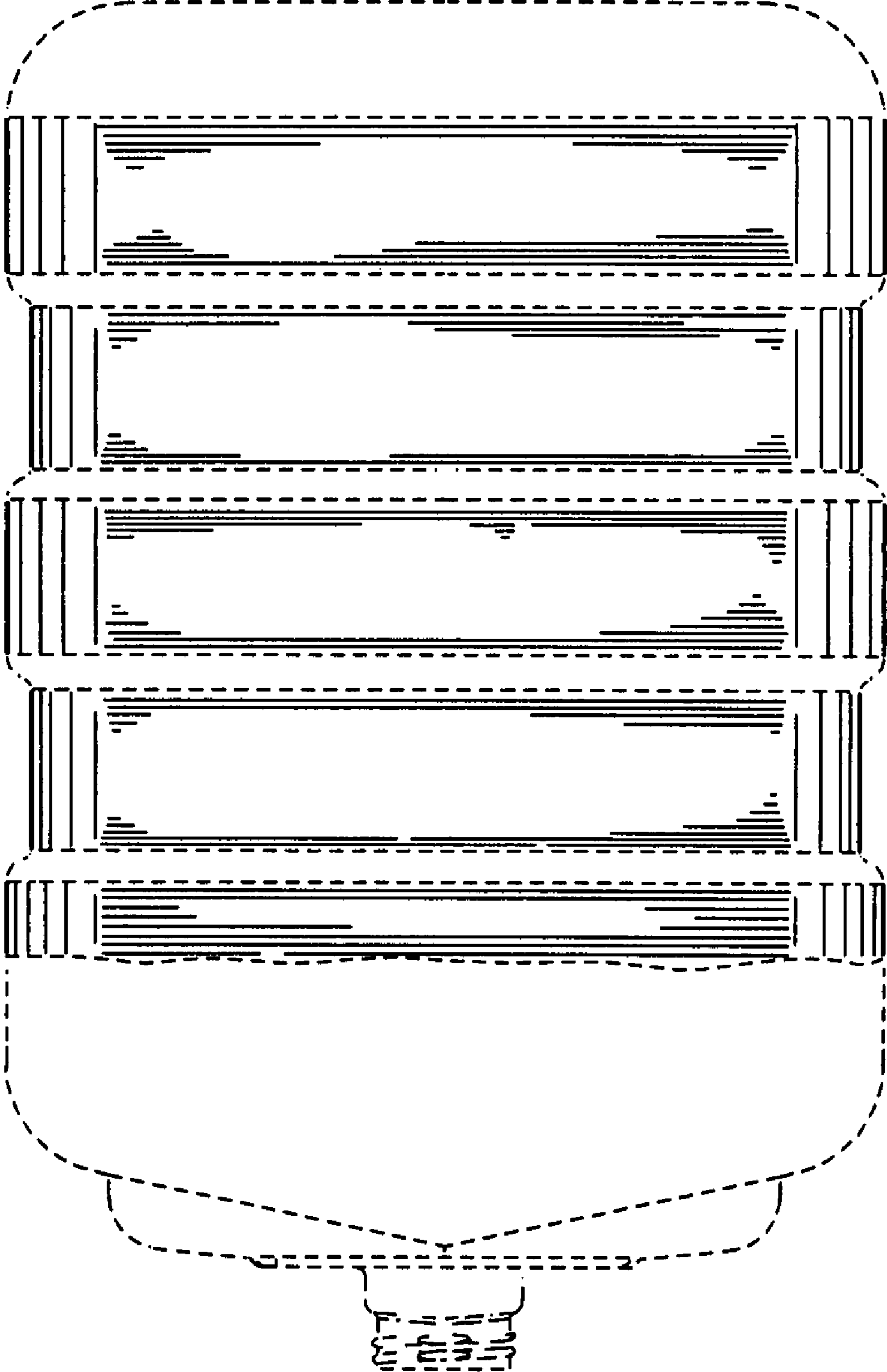


FIG. 4

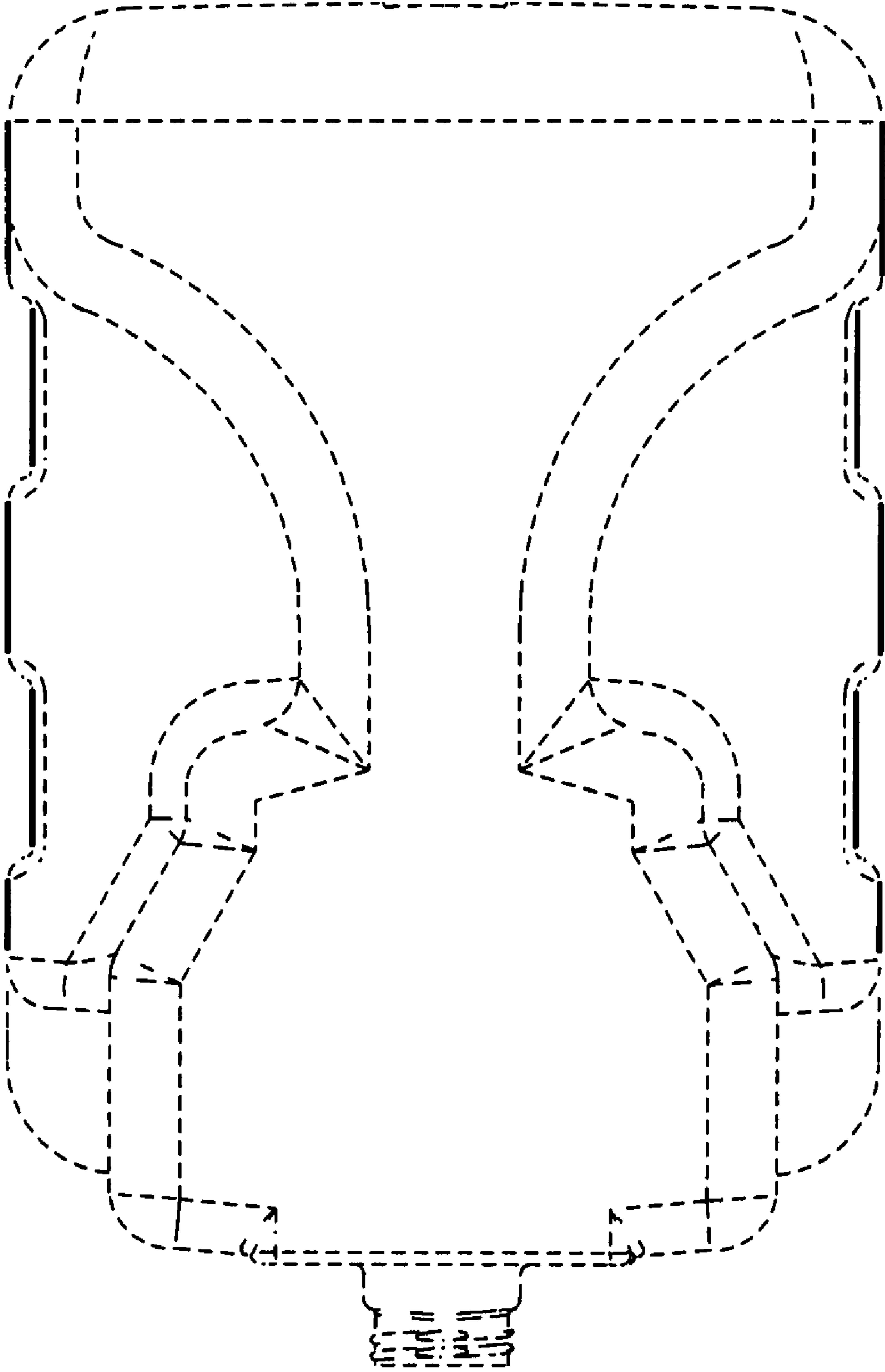


FIG. 5

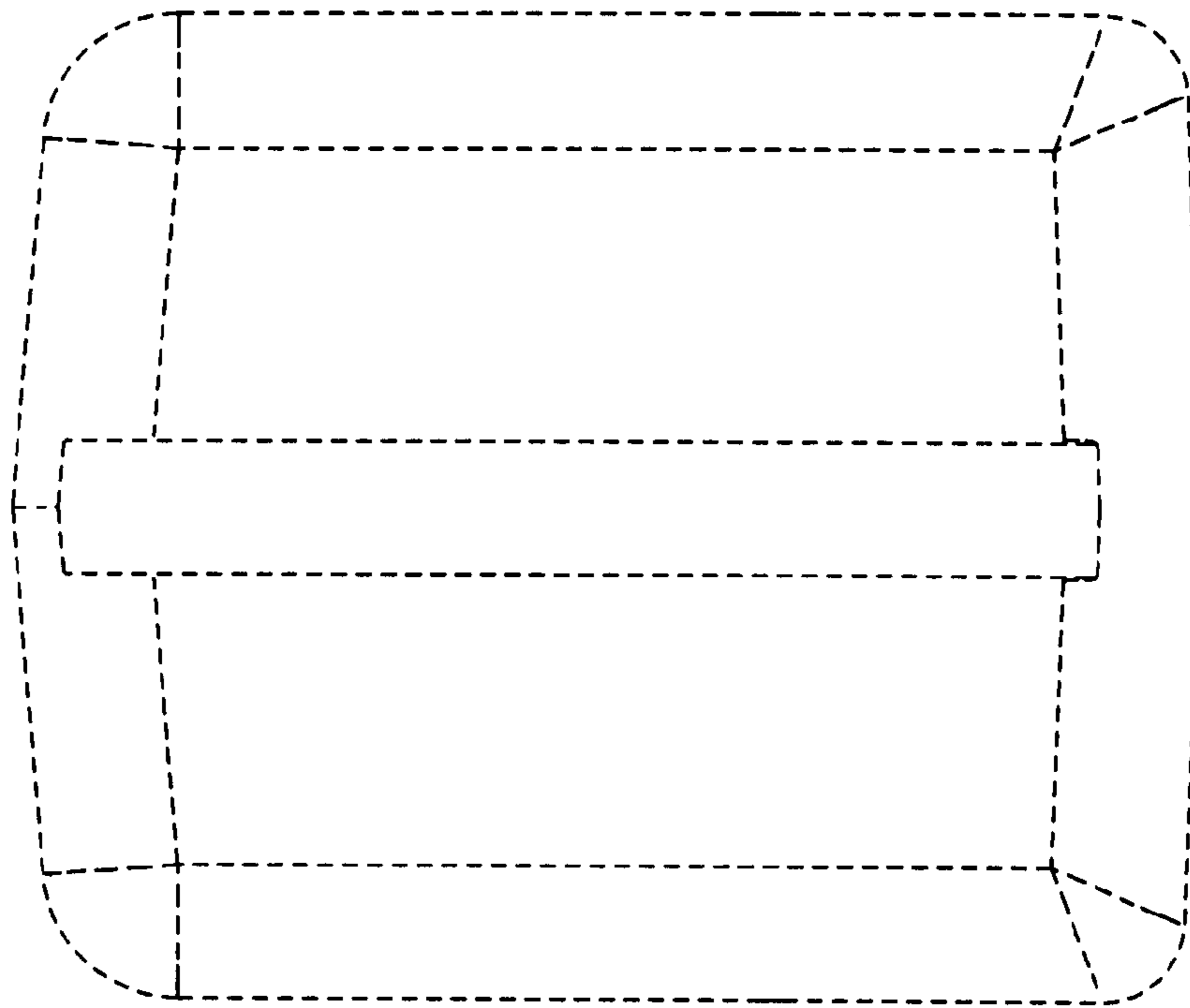


FIG. 6

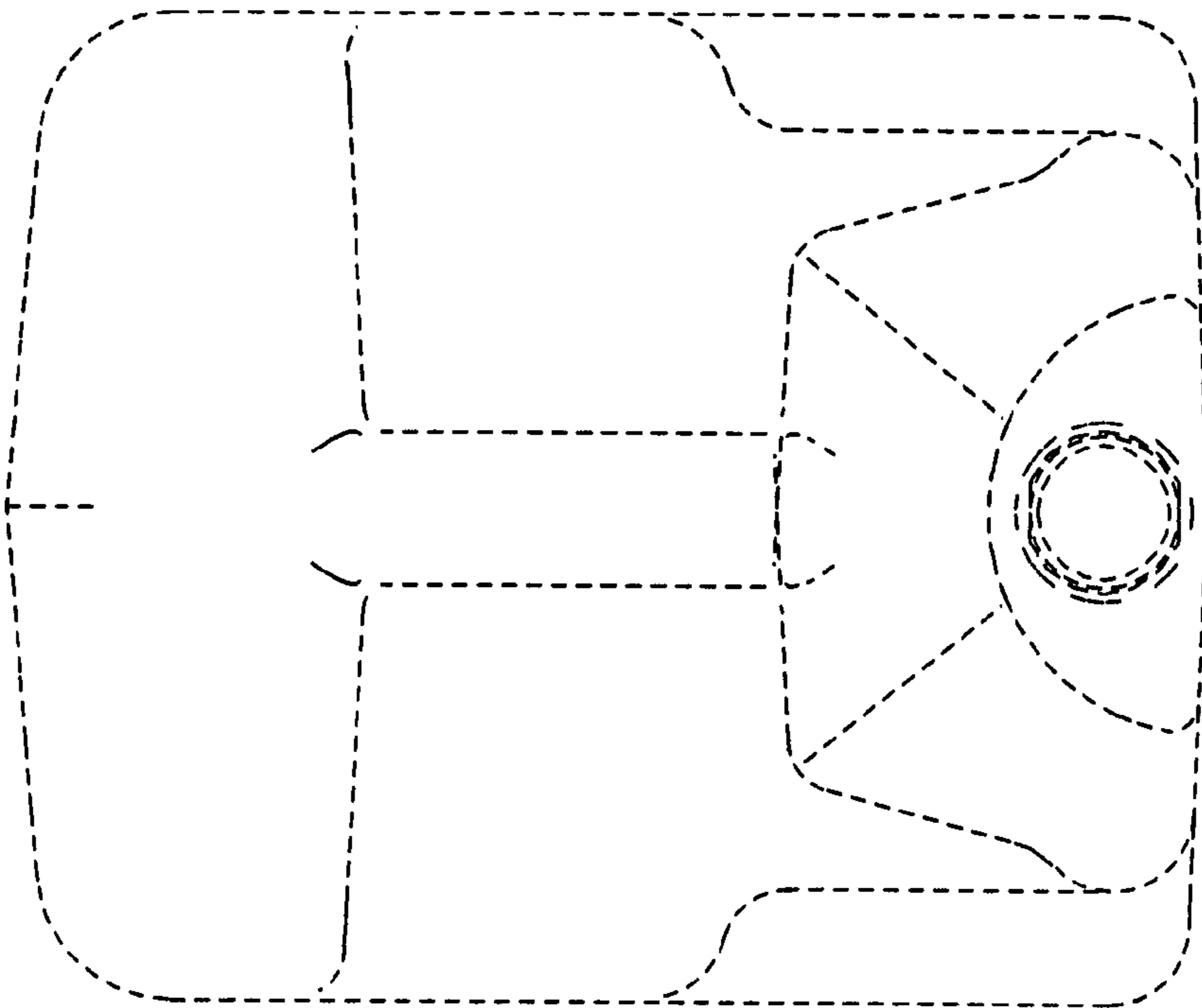


FIG. 7