



US00D618341S

(12) **United States Design Patent**
Massani

(10) **Patent No.:** **US D618,341 S**
(45) **Date of Patent:** **** Jun. 22, 2010**

(54) **ATTACHABLE OSTOMY POCKET**

(76) **Inventor:** **Joseph Massani**, 18 S. Edward St.,
Mount Prospect, IL (US) 60056

(**) **Term:** **14 Years**

(21) **Appl. No.:** **29/355,773**

(22) **Filed:** **Feb. 12, 2010**

(51) **LOC (9) Cl.** **24-02**

(52) **U.S. Cl.** **D24/118**

(58) **Field of Classification Search** D24/118,
D24/127, 108, 128, 111; 604/332, 333, 317,
604/327, 408, 403, 108, 339, 92, 415, 410,
604/345; 383/22, 23, 35; D9/709, 696; 206/219;
D3/203.1; 224/605, 587, 191
See application file for complete search history.

(56) **References Cited**

U.S. PATENT DOCUMENTS

2,289,032	A *	7/1942	Moffitt	383/22
3,372,857	A *	3/1968	Brayla	383/35
4,139,914	A *	2/1979	Tarr	224/587
D265,020	S *	6/1982	Silton	224/191
4,387,713	A *	6/1983	Calanni	604/333
5,031,812	A *	7/1991	Gustine	224/191
5,135,519	A	8/1992	Helmer		
5,135,520	A	8/1992	Beaupied		
5,643,233	A	7/1997	Turner		
5,651,777	A	7/1997	Walters		
D393,310	S *	4/1998	Russo	D24/128

5,799,843	A *	9/1998	Hsu	383/23
6,110,156	A	8/2000	Mendonca		
6,296,164	B1 *	10/2001	Russo	224/605
D453,831	S *	2/2002	English	D24/128
6,361,210	B2 *	3/2002	Denko	383/35
D477,873	S *	7/2003	Borash et al.	D24/128
D544,095	S *	6/2007	McLaughlin	D24/118

* cited by examiner

Primary Examiner—T. Chase Nelson

Assistant Examiner—David G Muller

(74) *Attorney, Agent, or Firm*—Crossley Patent Law; Mark A. Crossley

(57) **CLAIM**

The ornamental design for an attachable ostomy pocket, as shown and described.

DESCRIPTION

FIG. 1 is a front elevation view of an attachable ostomy pocket showing my new design with an attachment strip separated for clarity;

FIG. 2 is a rear elevation view thereof;

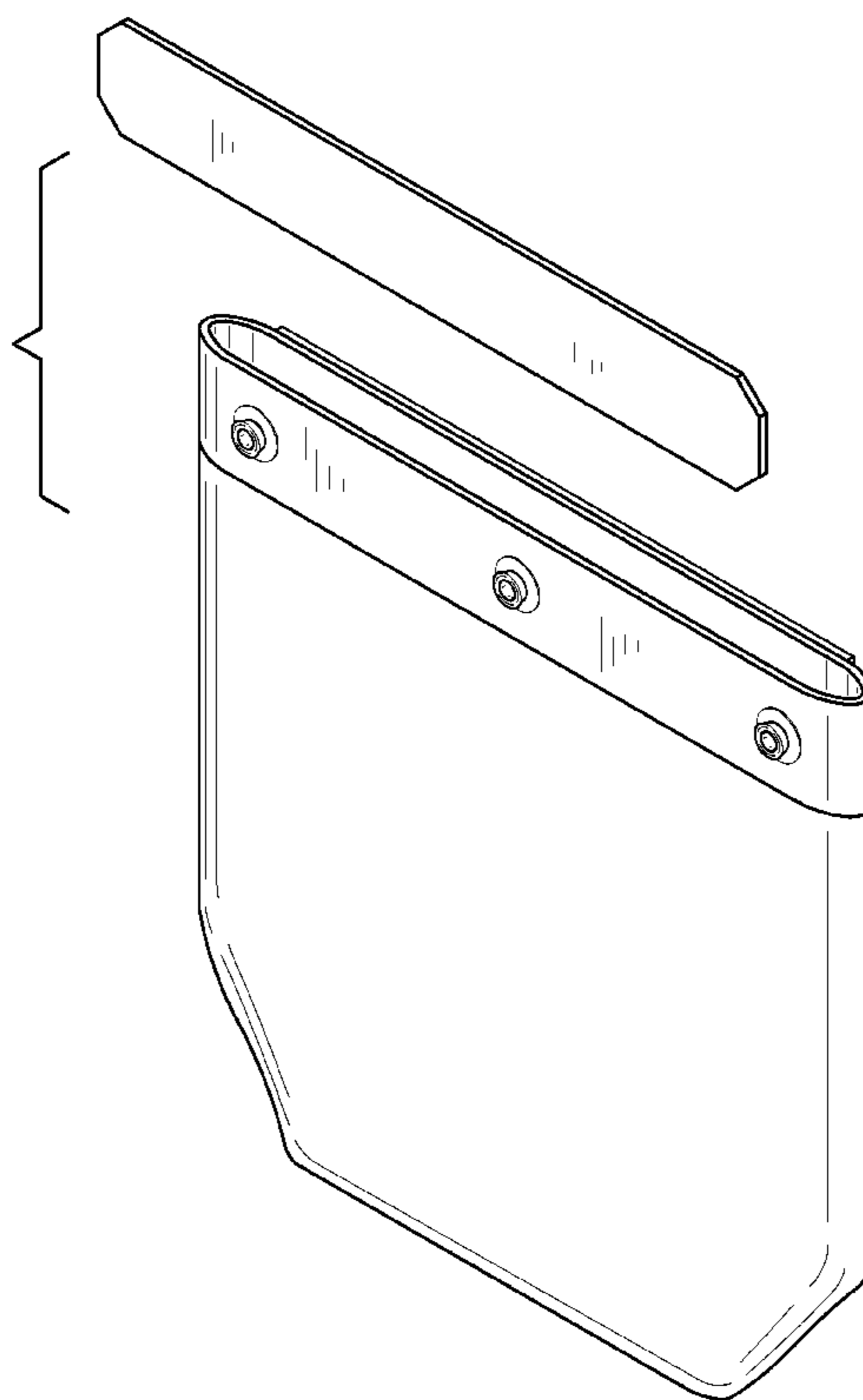
FIG. 3 is a right elevation view thereof, the opposite side being a mirror image of the shown;

FIG. 4 is a top plan view thereof;

FIG. 5 is a bottom pan view thereof; and,

FIG. 6 is an isometric view thereof.

1 Claim, 5 Drawing Sheets



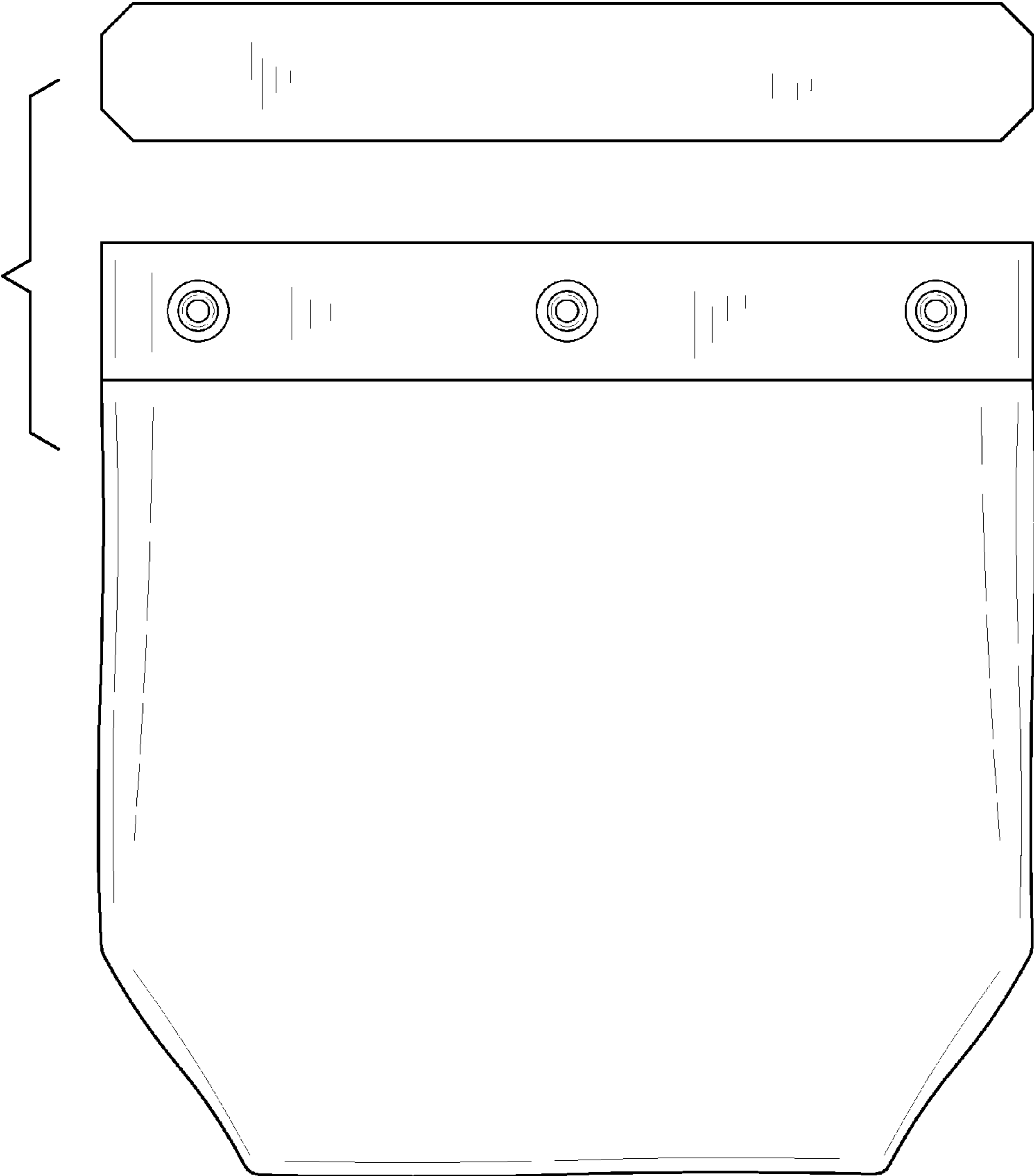


FIG. 1

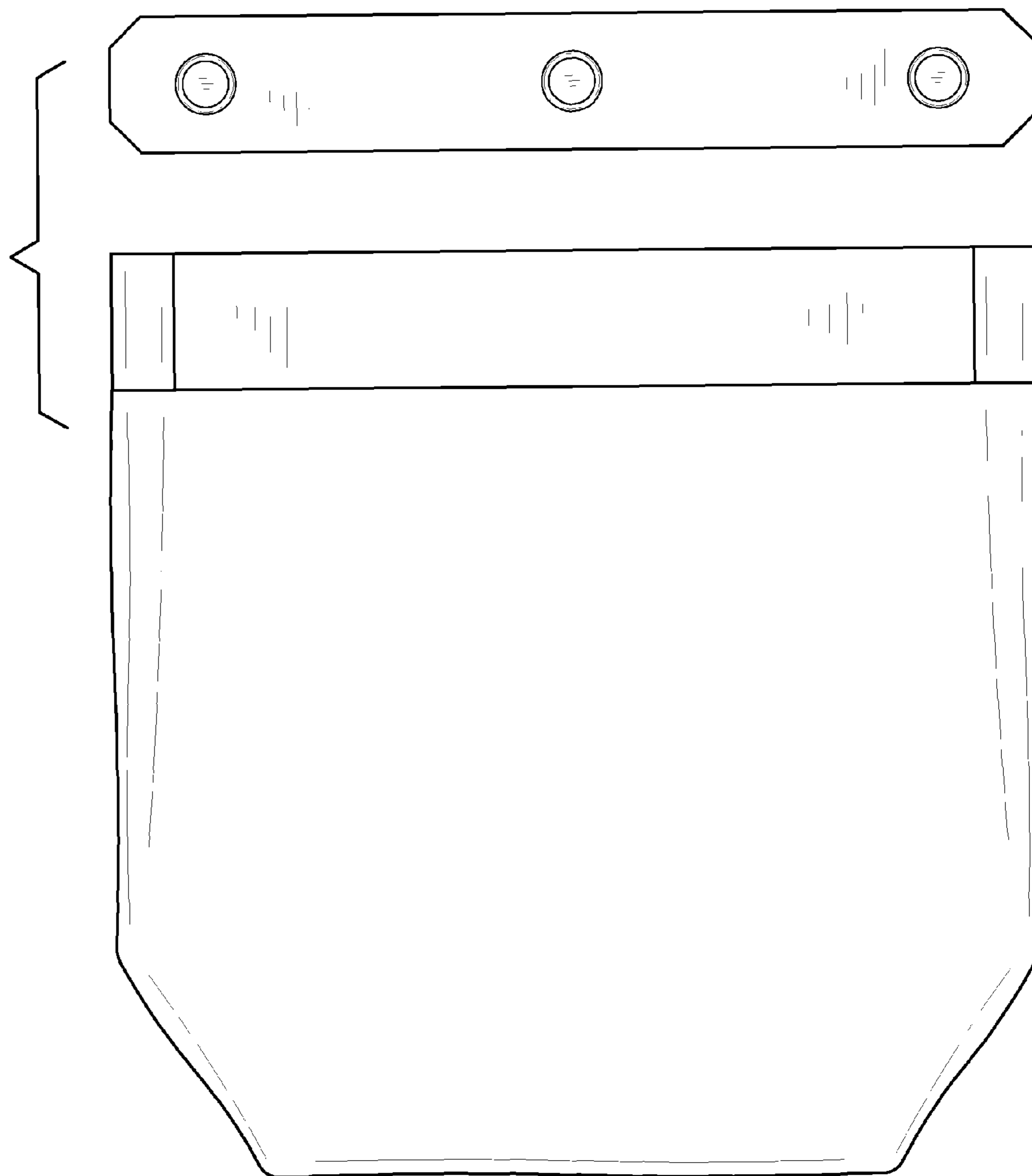


FIG. 2

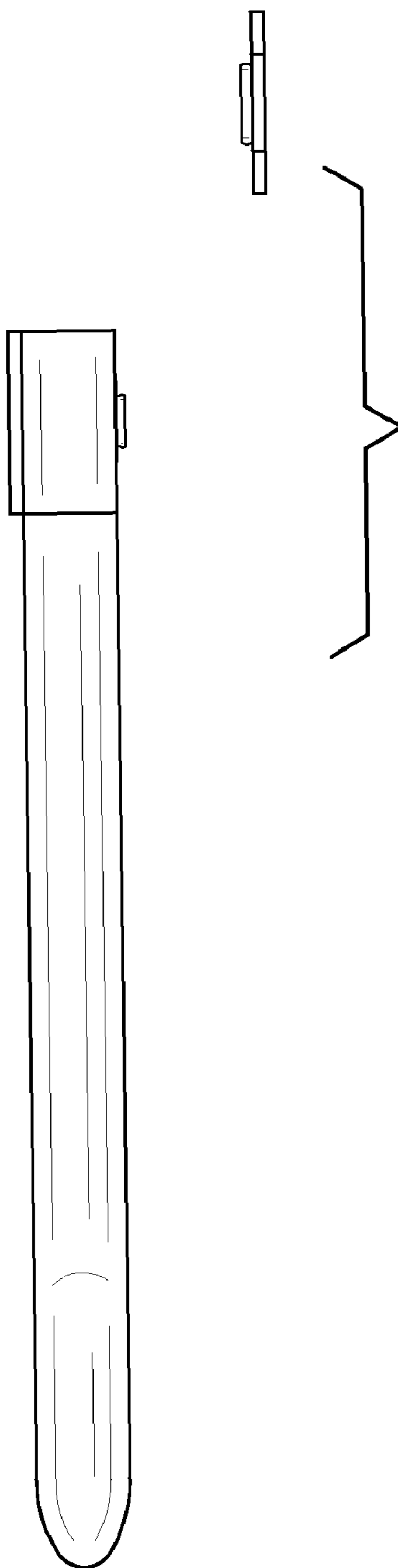


FIG. 3

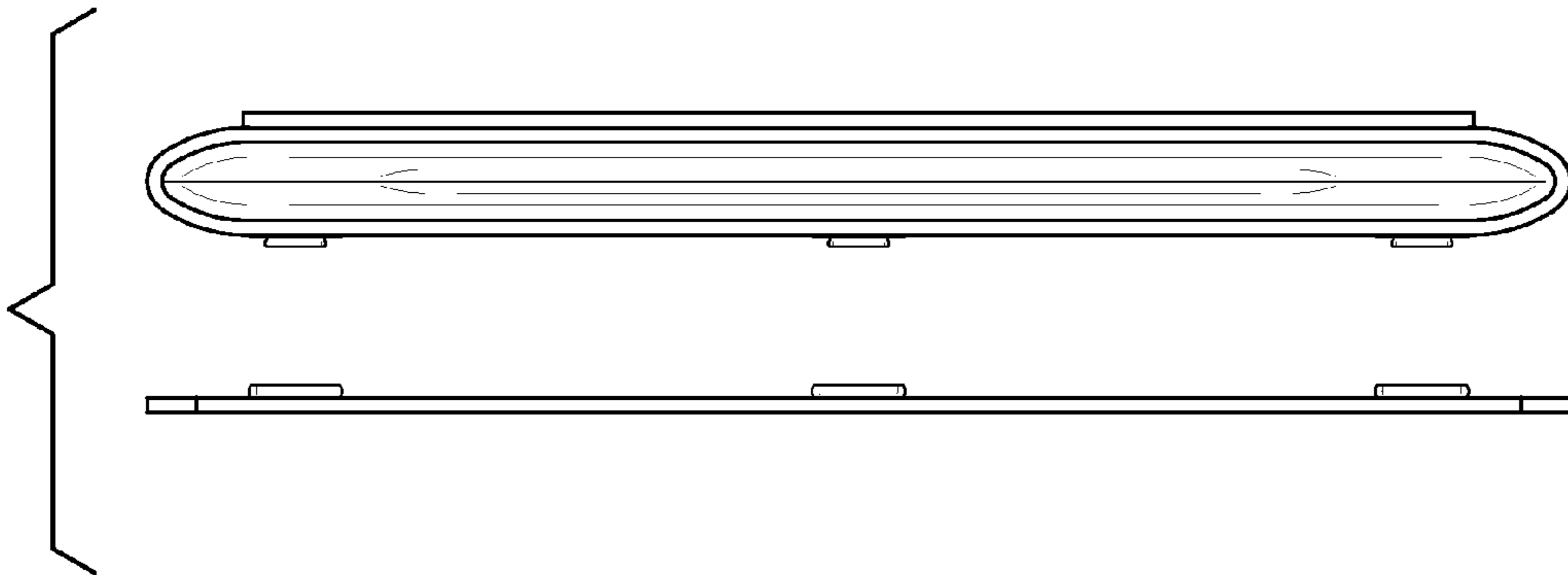


FIG. 4

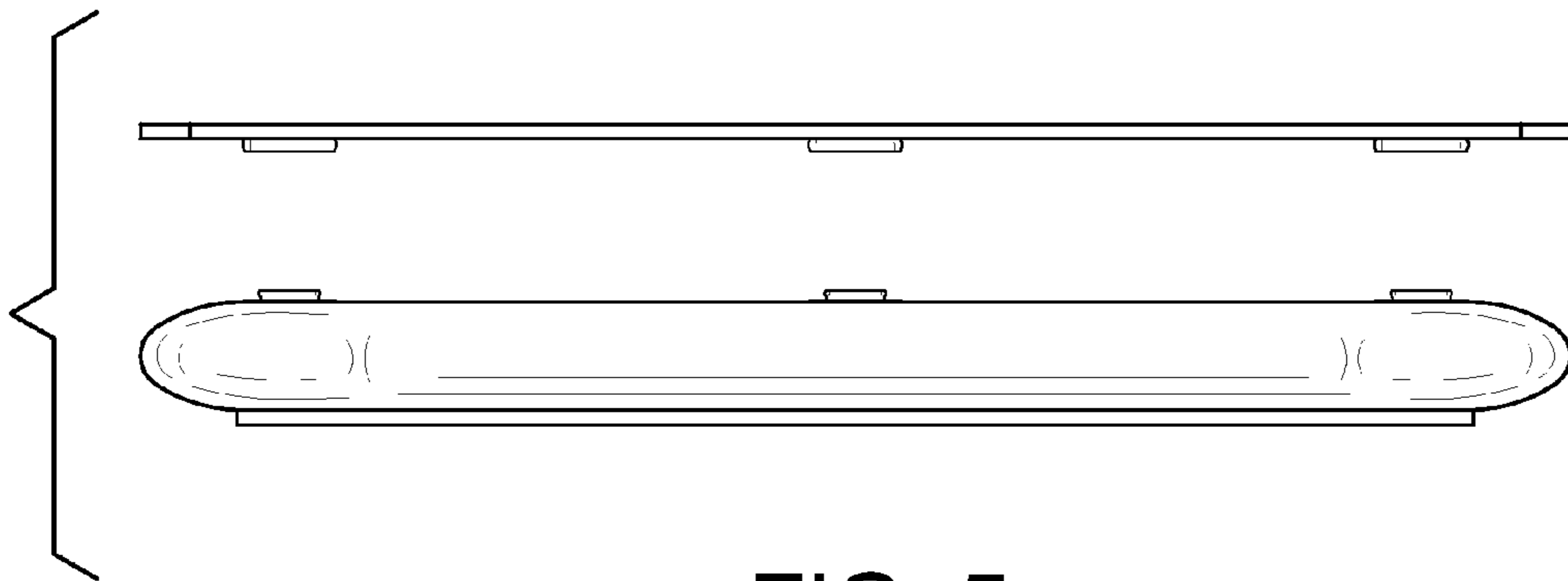


FIG. 5

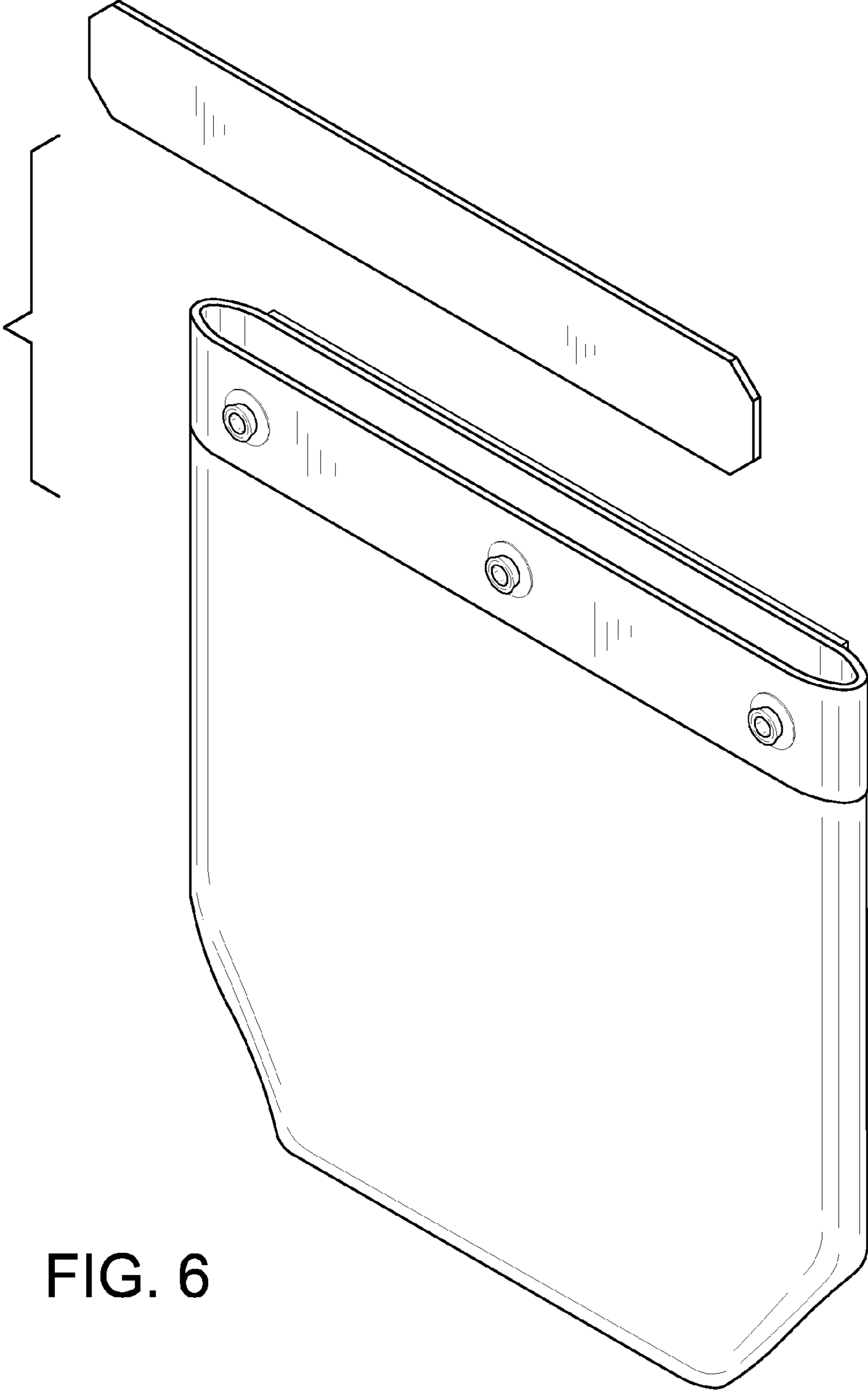


FIG. 6