



US00D618338S

(12) **United States Design Patent**
Fujioka et al.

(10) **Patent No.:** **US D618,338 S**
(45) **Date of Patent:** **** Jun. 22, 2010**

(54) **SYRINGE DRIVE DEVICE**

(75) Inventors: **Soichiro Fujioka**, Osaka (JP); **Mizuho Sakakibara**, Osaka (JP); **Shoichi Kobayashi**, Osaka (JP); **Tohru Nakamura**, Osaka (JP)

(73) Assignee: **Panasonic Corporation**, Osaka (JP)

(**) Term: **14 Years**

(21) Appl. No.: **29/346,935**

(22) Filed: **Nov. 9, 2009**

(30) **Foreign Application Priority Data**

May 15, 2009 (JP) 2009-010827

(51) **LOC (9) Cl.** **24-02**

(52) **U.S. Cl.** **D24/113**

(58) **Field of Classification Search** D24/112-114,
D24/133, 186, 104, 130, 127, 176; 606/181,
606/185; 604/232, 187, 158, 164.08, 192,
604/263, 163, 181, 184, 198, 227
See application file for complete search history.

(56) **References Cited**

U.S. PATENT DOCUMENTS

3,552,394	A *	1/1971	Horn	D24/114
3,905,365	A	9/1975	Colombo		
D246,187	S *	10/1977	DeArment	D24/114
4,512,767	A	4/1985	Denance		
D284,306	S *	6/1986	Moore, Jr.	D24/130
D289,435	S *	4/1987	Fischione	D24/130
D337,821	S	7/1993	Tan		
D357,536	S	4/1995	Dragan et al.		
D359,560	S	6/1995	Mitchell		
D369,657	S *	5/1996	McGugan	D24/113
D383,839	S	9/1997	Sullivan		
5,807,340	A	9/1998	Pokras		
D408,531	S *	4/1999	King	D24/114
D409,304	S *	5/1999	King	D24/112
D416,087	S *	11/1999	King	D24/114
D449,693	S	10/2001	Shibuya et al.		

D453,376	S	2/2002	McMahon et al.		
6,394,982	B1 *	5/2002	Ehrenfels	604/187
6,610,033	B1 *	8/2003	Melanson et al.	604/181
D497,204	S	10/2004	Von Amende et al.		
6,840,921	B1 *	1/2005	Haider et al.	604/198
D543,621	S	5/2007	Khalaj		
7,351,212	B2 *	4/2008	Roe	606/181
7,357,808	B2 *	4/2008	Kennedy	606/181
D576,273	S	9/2008	McClintok et al.		

* cited by examiner

Primary Examiner—T. Chase Nelson

Assistant Examiner—David G Muller

(74) *Attorney, Agent, or Firm*—Brinks Hofer Gilson & Lione

(57) **CLAIM**

We claim the ornamental design for a syringe drive device, as shown and described.

DESCRIPTION

FIG. 1 is a top perspective view of a syringe drive device of the present invention;

FIG. 2 is a front view thereof;

FIG. 3 is a rear view thereof;

FIG. 4 is a first side view thereof;

FIG. 5 is a second side view thereof;

FIG. 6 is a top view thereof;

FIG. 7 is a bottom view thereof;

FIG. 8 is a top perspective view thereof shown in a pulled back position;

FIG. 9 is a top perspective view thereof shown in an environmental use; and,

FIG. 10 is top perspective view thereof shown in an environmental use in the pulled back position.

The broken line showing of syringe drive device is included for the purpose of illustrating environment and forms no part of the claimed design.

1 Claim, 10 Drawing Sheets

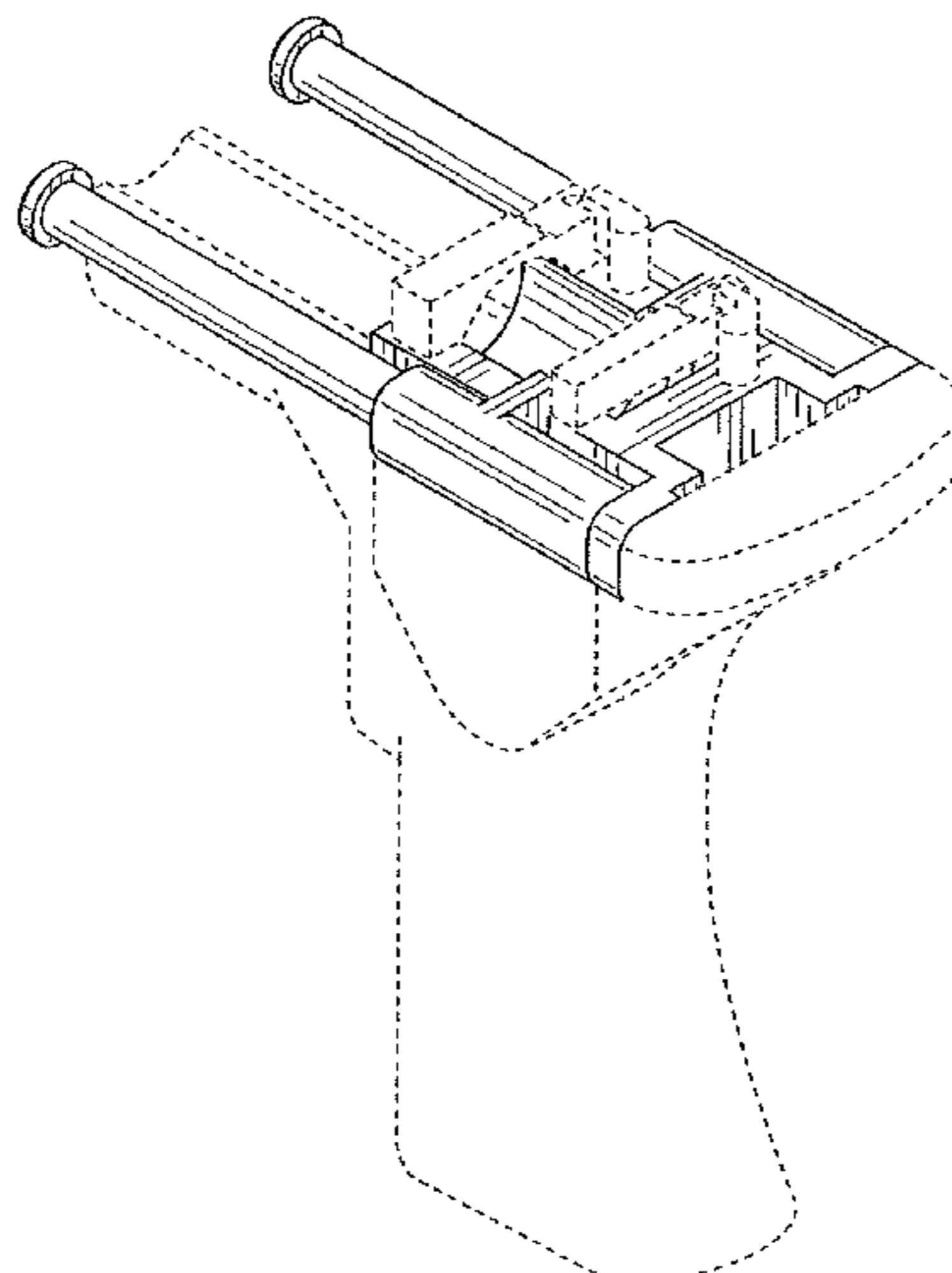


FIG. 1

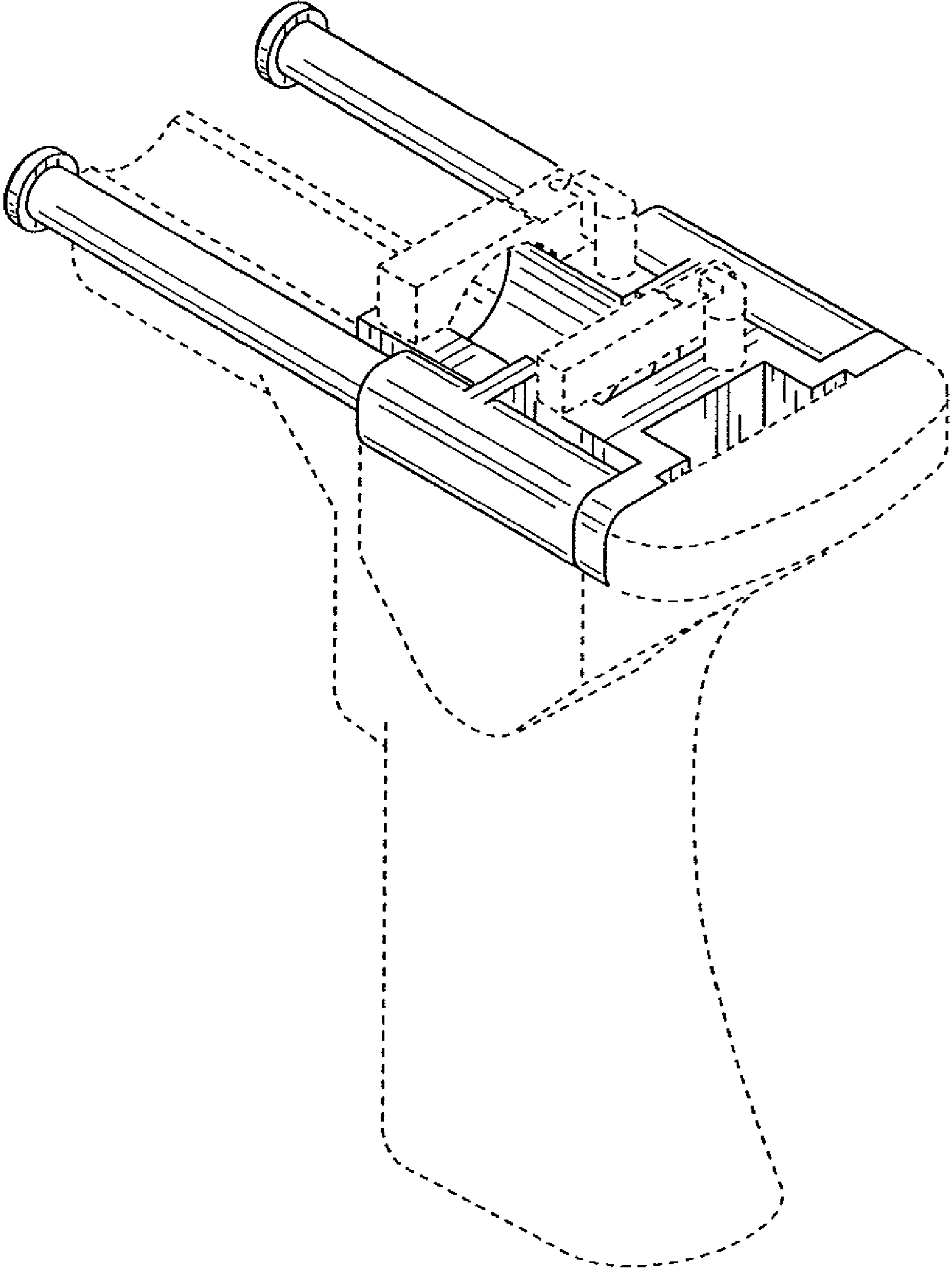


FIG.2

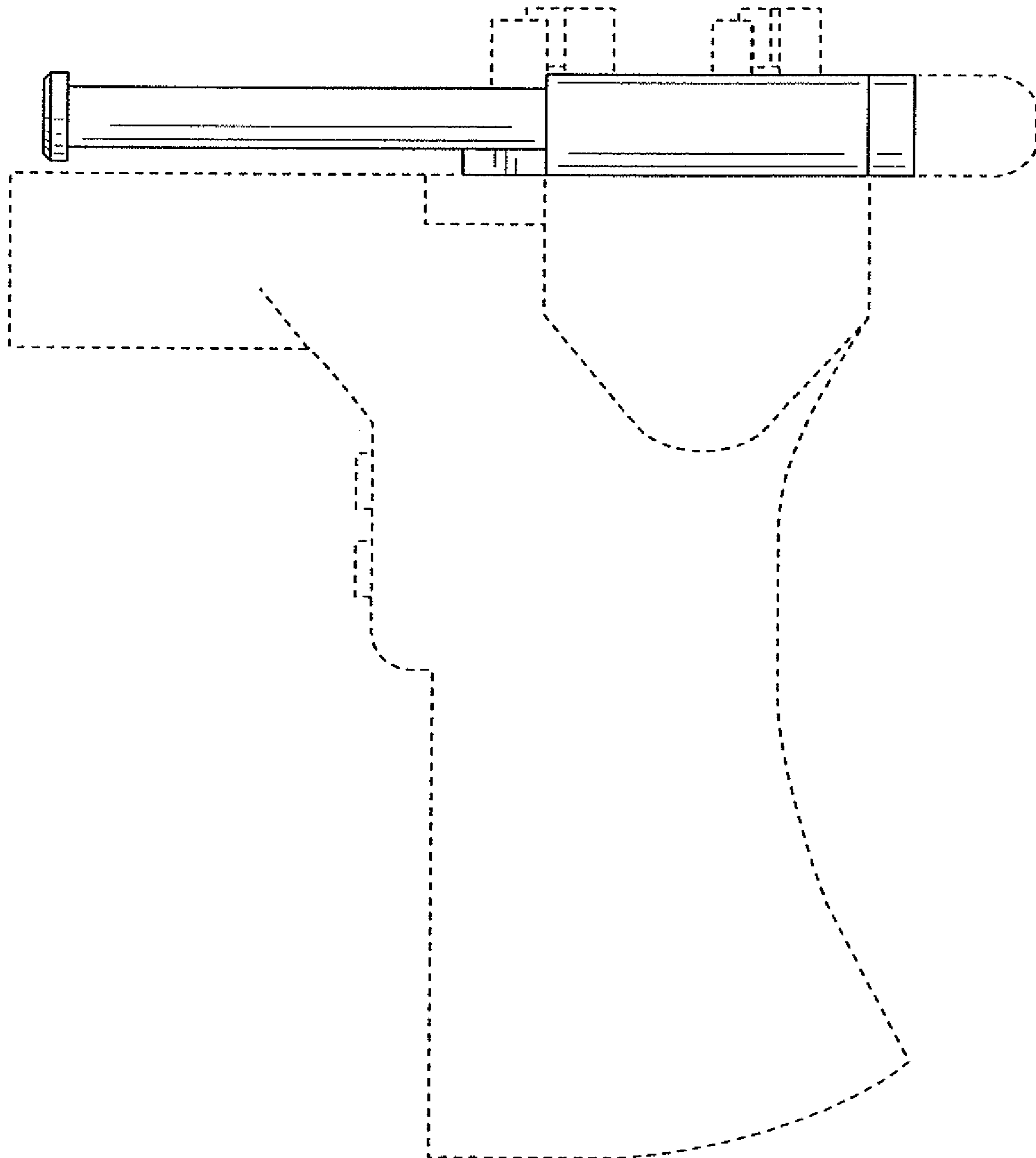


FIG.3

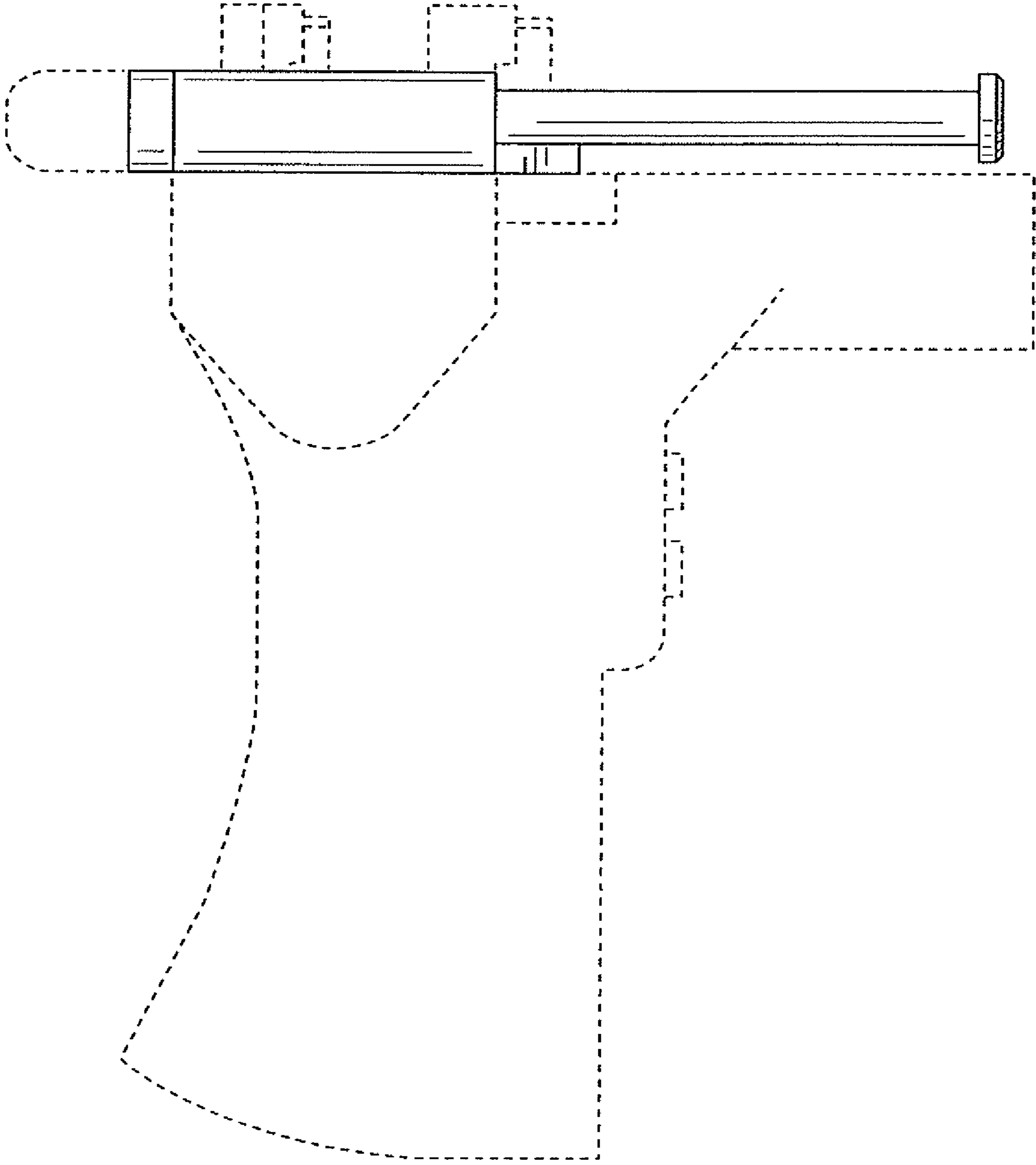


FIG.4

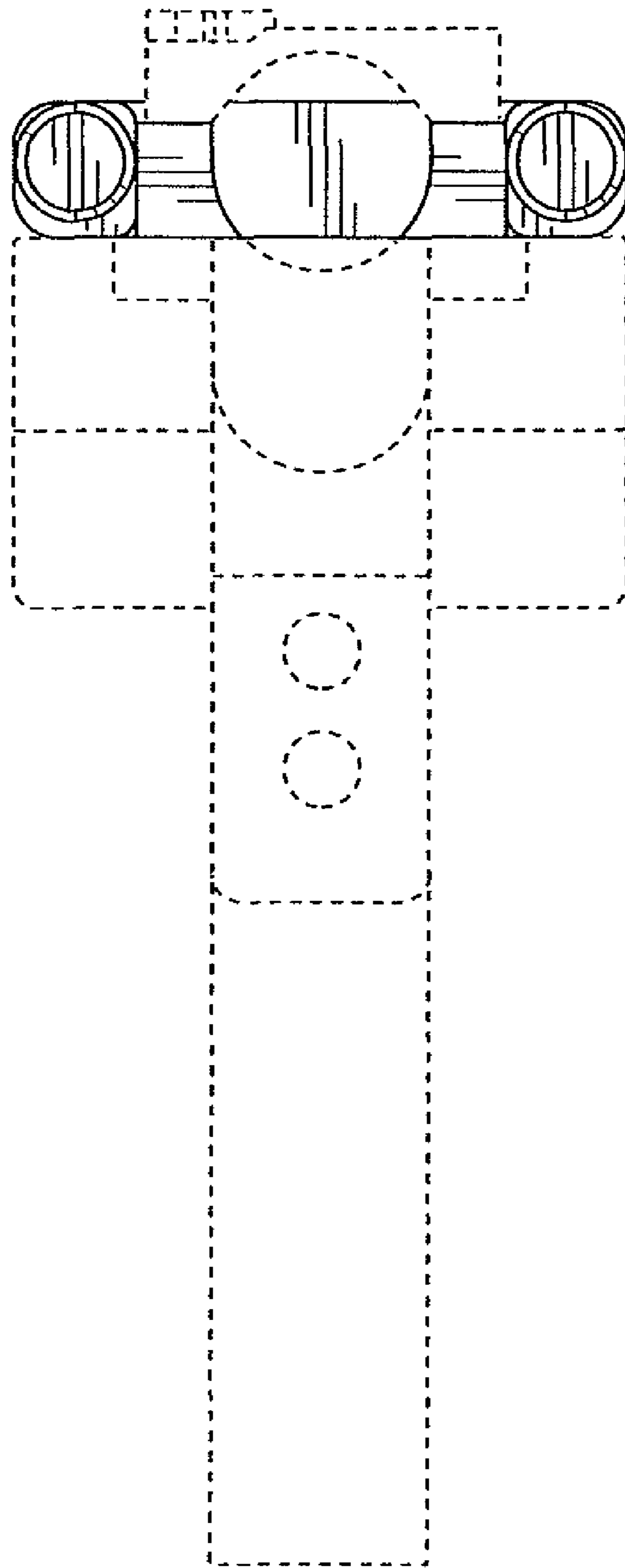


FIG.5

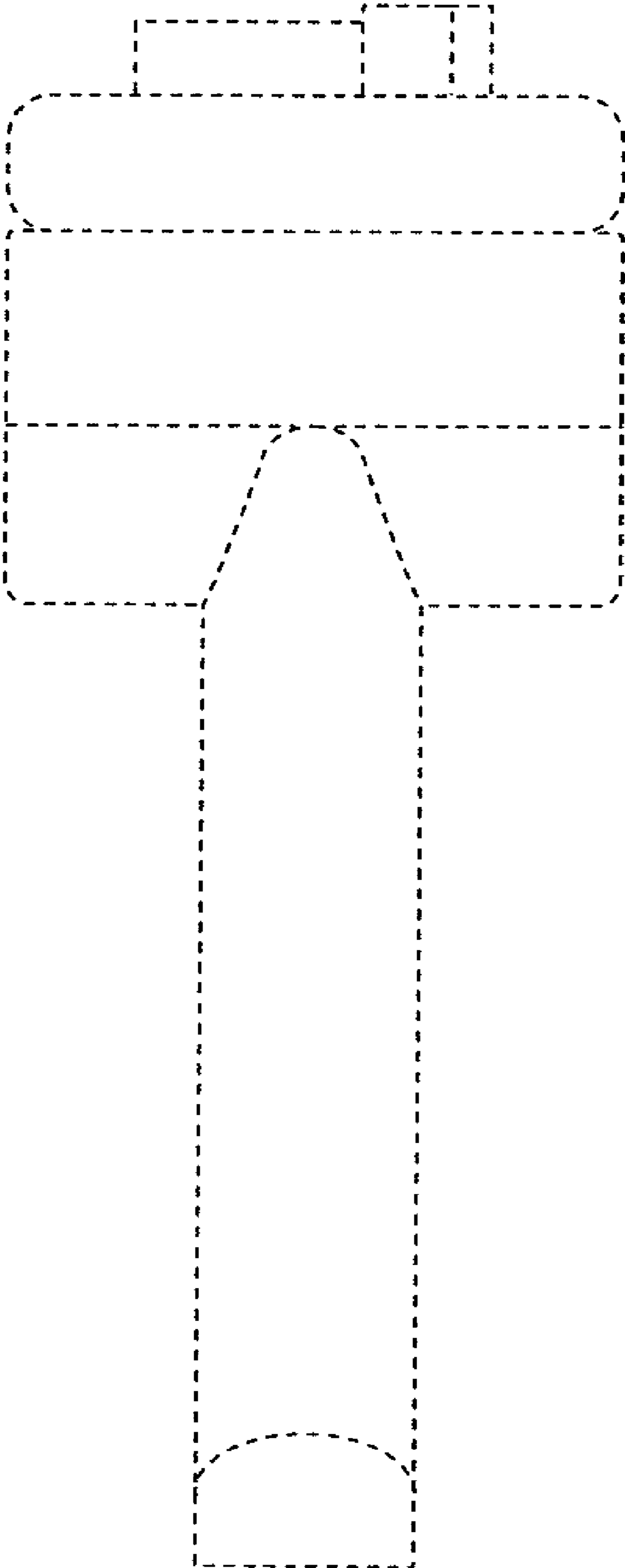


FIG. 6

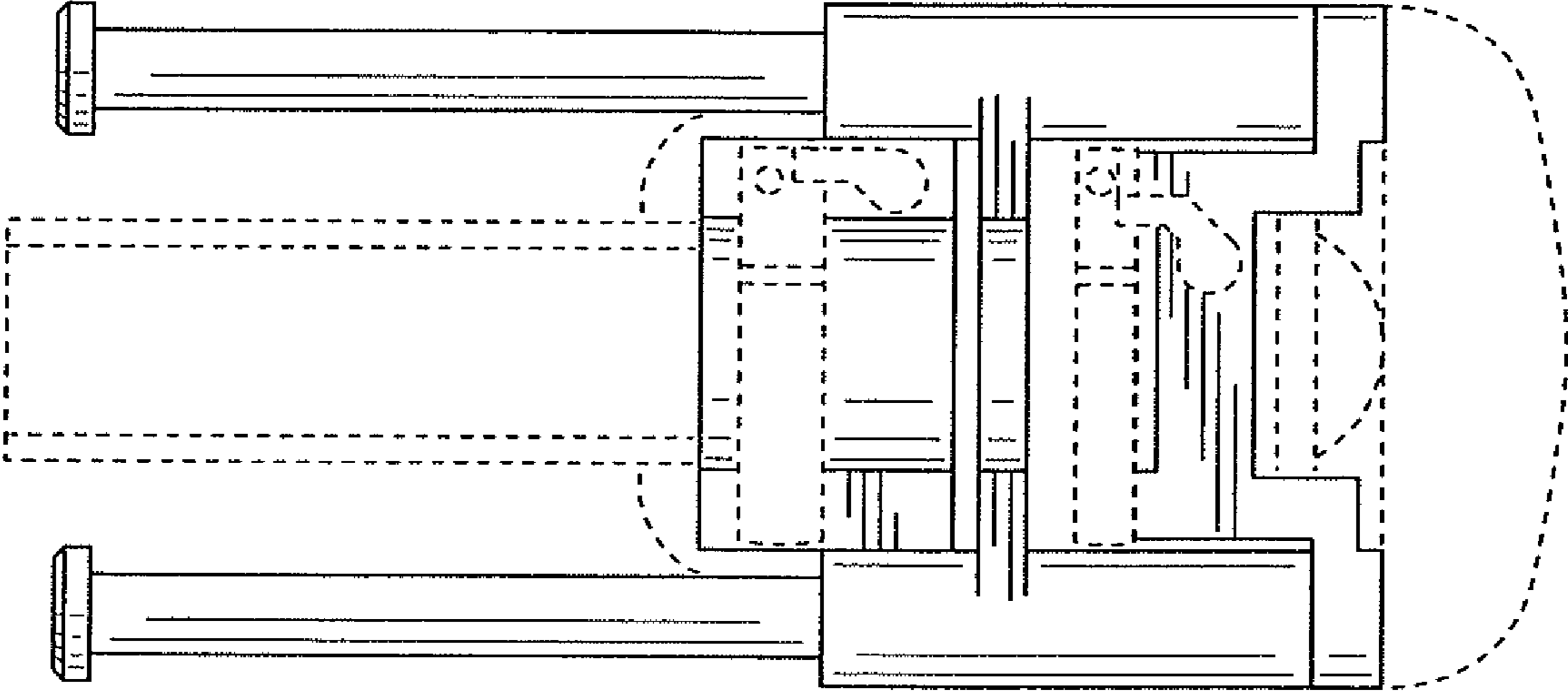


FIG. 7

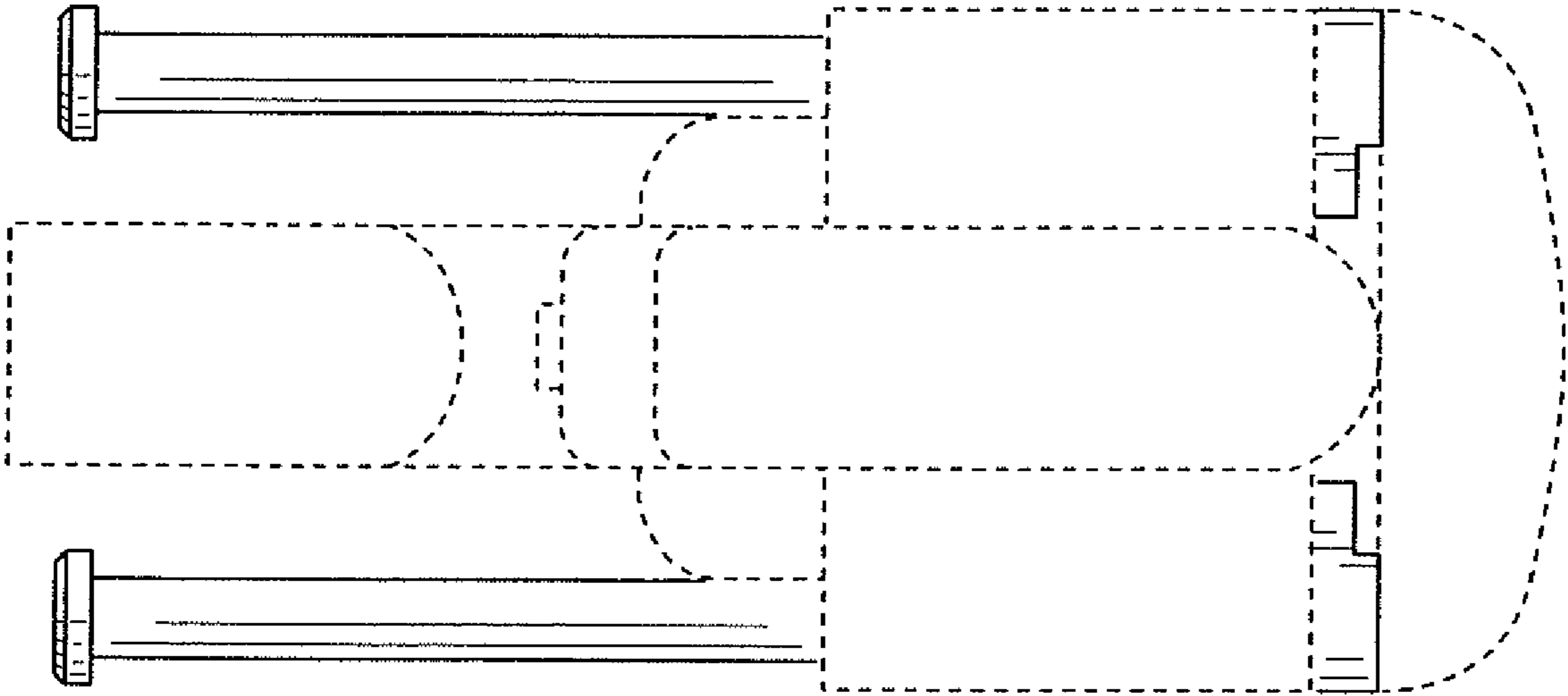


FIG.8

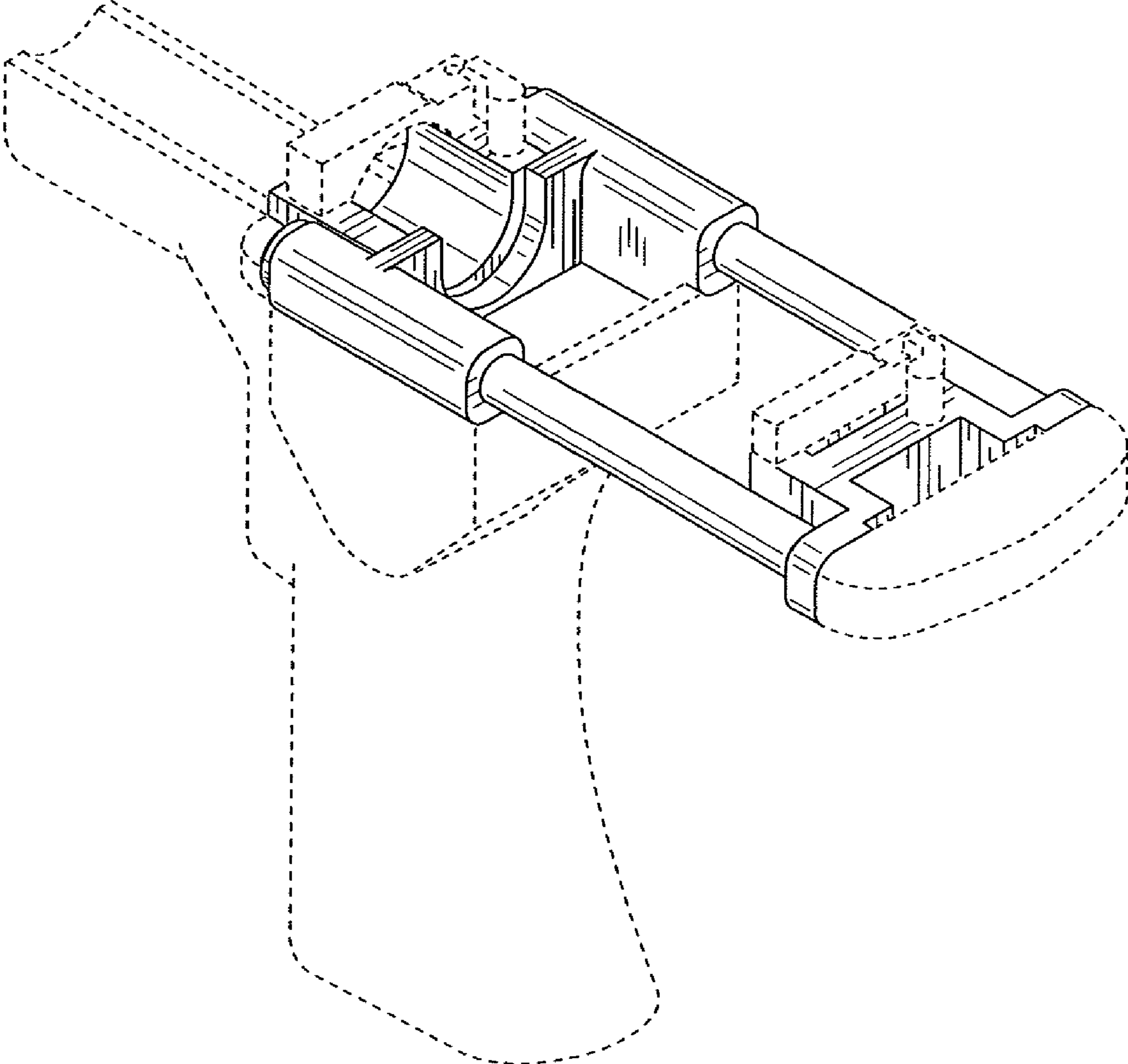


FIG. 9

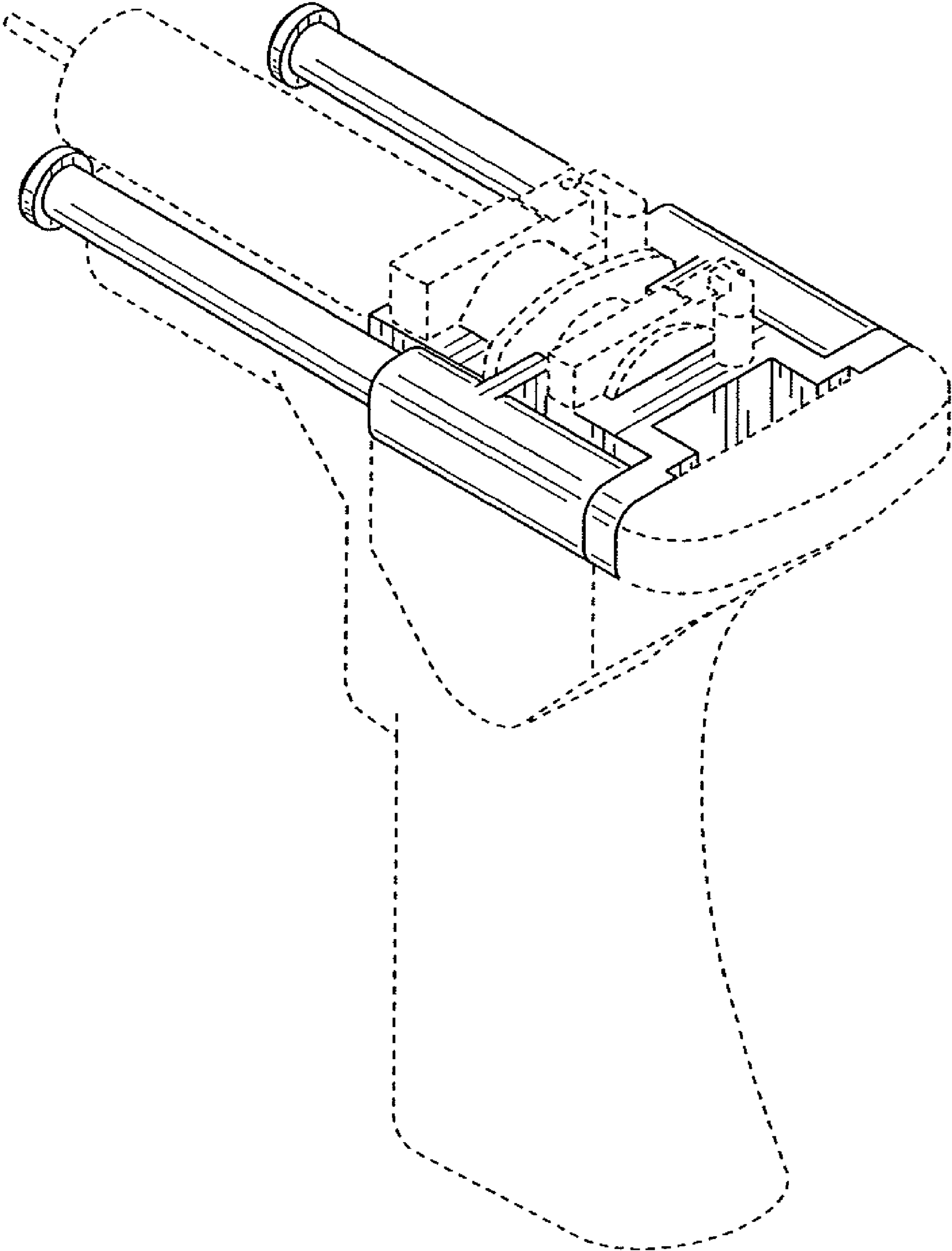


FIG.10

