



US00D618337S

(12) **United States Design Patent**
Pratt et al.

(10) **Patent No.:** **US D618,337 S**
(45) **Date of Patent:** **** Jun. 22, 2010**

(54) **REDUCED PRESSURE TREATMENT APPARATUS**

(75) Inventors: **Benjamin Pratt**, Poole (GB); **Richard Daniel John Coulthard**, Verwood (GB); **Christopher Brian Locke**, Bournemouth (GB)

(73) Assignee: **KCI Licensing, Inc.**, San Antonio, TX (US)

(**) Term: **14 Years**

(21) Appl. No.: **29/317,590**

(22) Filed: **May 2, 2008**

(51) **LOC (9) Cl.** **24-02**

(52) **U.S. Cl.** **D24/111**

(58) **Field of Classification Search** D24/111;
D9/448, 435, 454, 503, 530, 539, 542, 558;
222/320

See application file for complete search history.

(56) **References Cited**

U.S. PATENT DOCUMENTS

5,669,530	A *	9/1997	Cichon et al.	222/153.09
D427,899	S *	7/2000	Bougamont et al.	D9/688
D532,301	S *	11/2006	Moretti	D9/448
D567,651	S *	4/2008	Bloc	D9/448
D596,940	S *	7/2009	Eigenstetter	D9/448

* cited by examiner

Primary Examiner—Lisa P Lichtenstein

(57) **CLAIM**

The ornamental design for a reduced pressure treatment apparatus, as shown and described.

DESCRIPTION

FIG. 1 shows an isometric, first side view of a reduced pressure treatment apparatus according to an illustrative embodiment;

FIG. 2 shows an isometric, rear view of the reduced pressure treatment apparatus of FIG. 1;

FIG. 3 shows a front view of the reduced pressure treatment apparatus of FIG. 1;

FIG. 4 shows a rear view of the reduced pressure treatment apparatus of FIG. 1;

FIG. 5 shows the first side view of the reduced pressure treatment apparatus of FIG. 1;

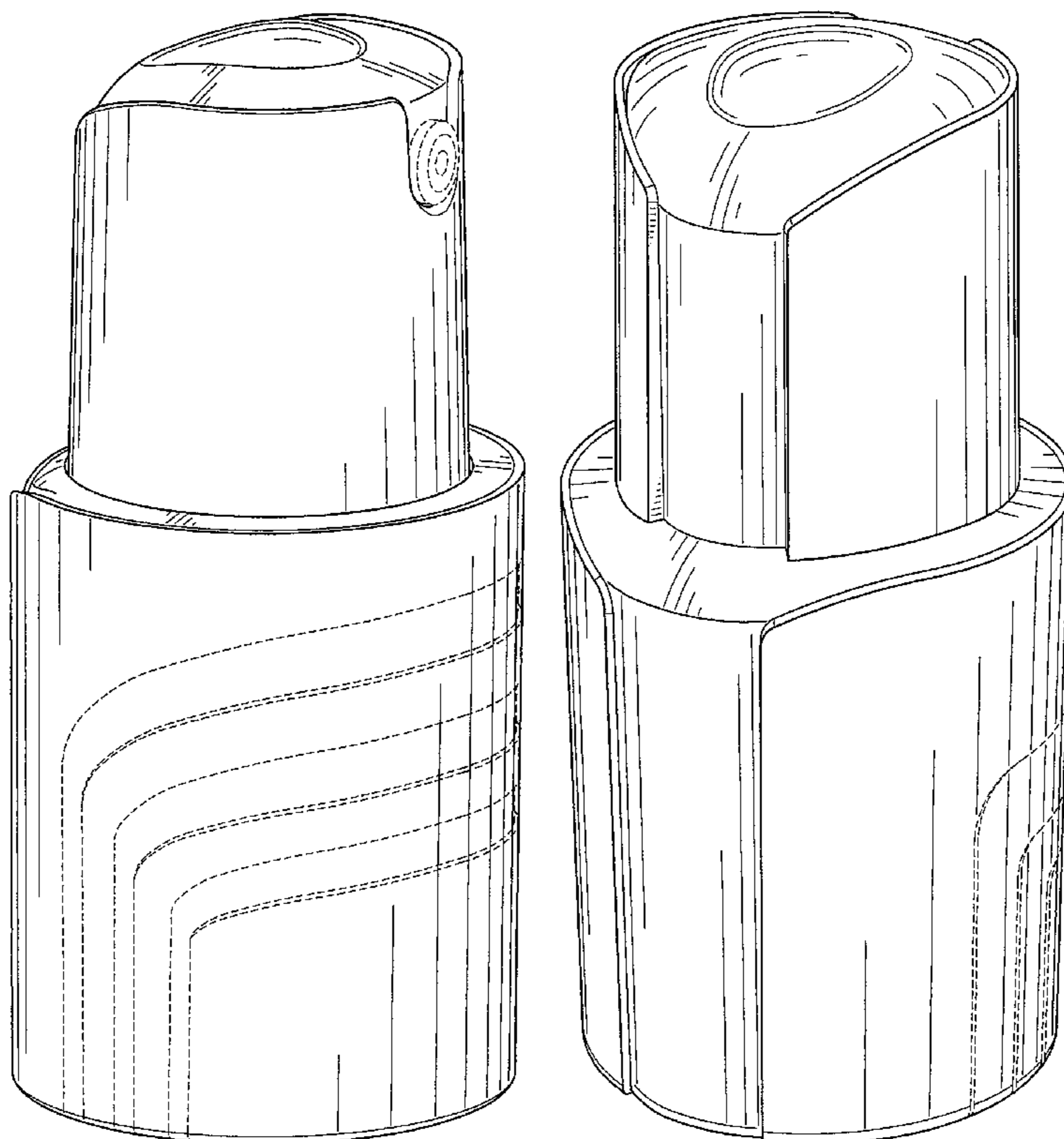
FIG. 6 shows a second side view of the reduced pressure treatment apparatus of FIG. 1;

FIG. 7 shows a top view of the reduced pressure treatment apparatus of FIG. 1; and,

FIG. 8 shows a bottom view of the reduced pressure treatment apparatus of FIG. 1.

The broken lines illustrated in the drawings are for illustrative purposes only and form no part of the claimed design.

1 Claim, 7 Drawing Sheets



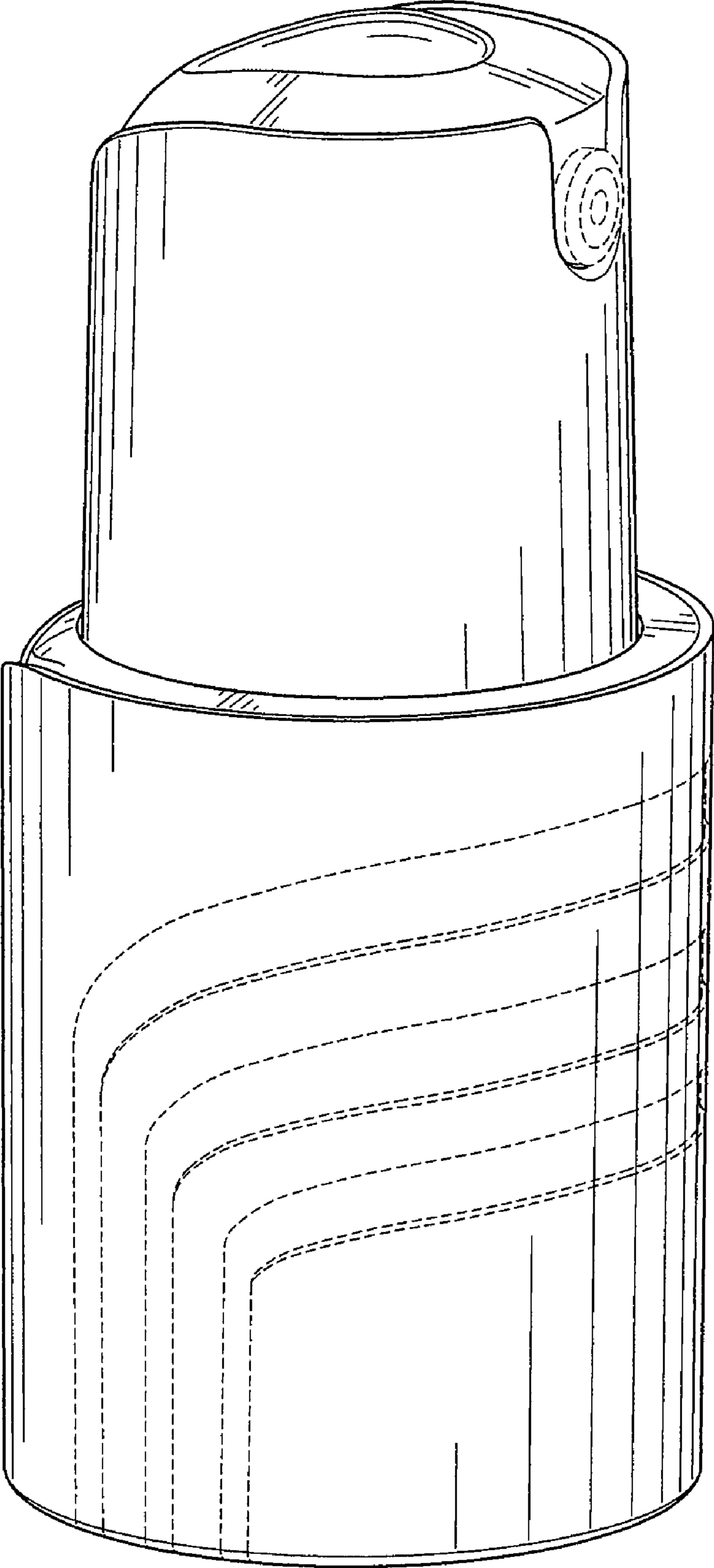


FIG. 1

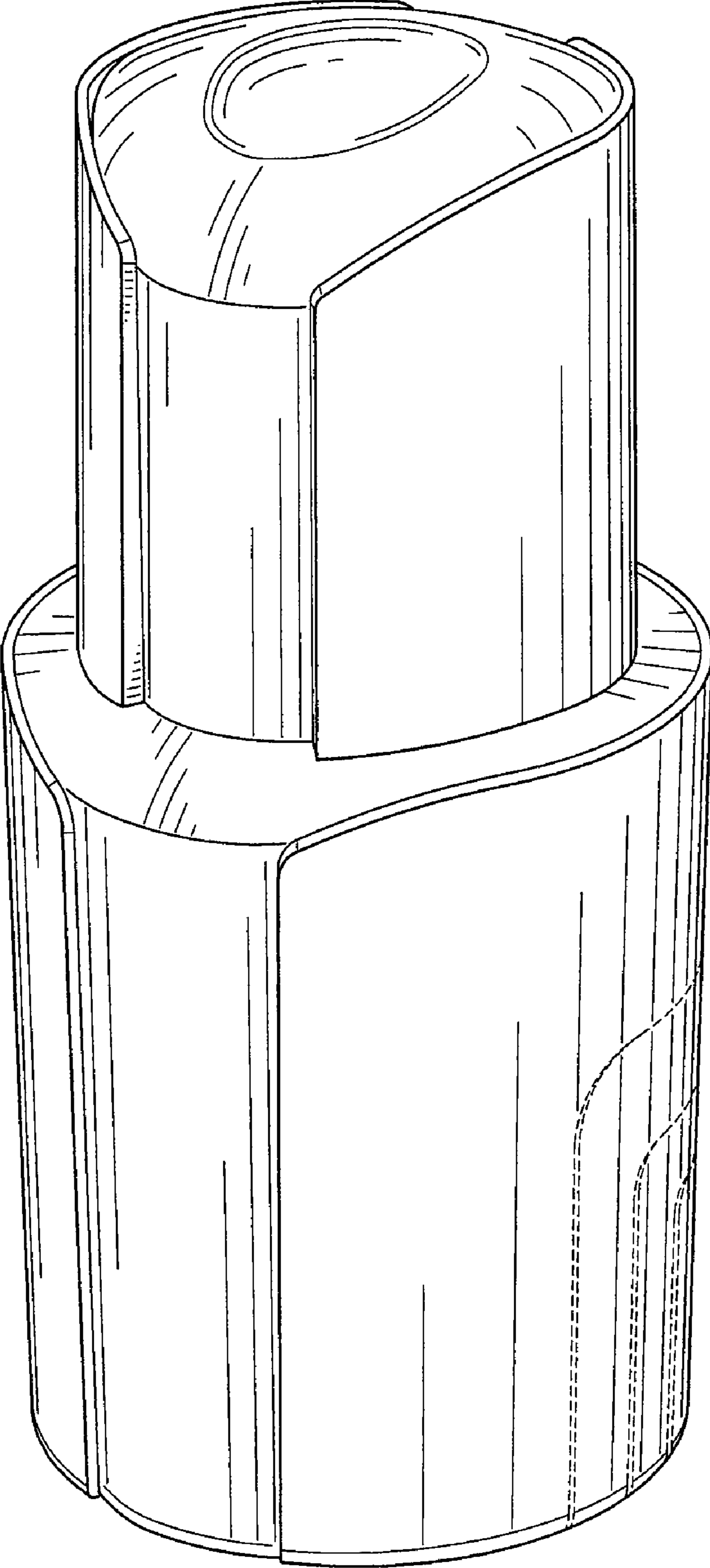


FIG. 2

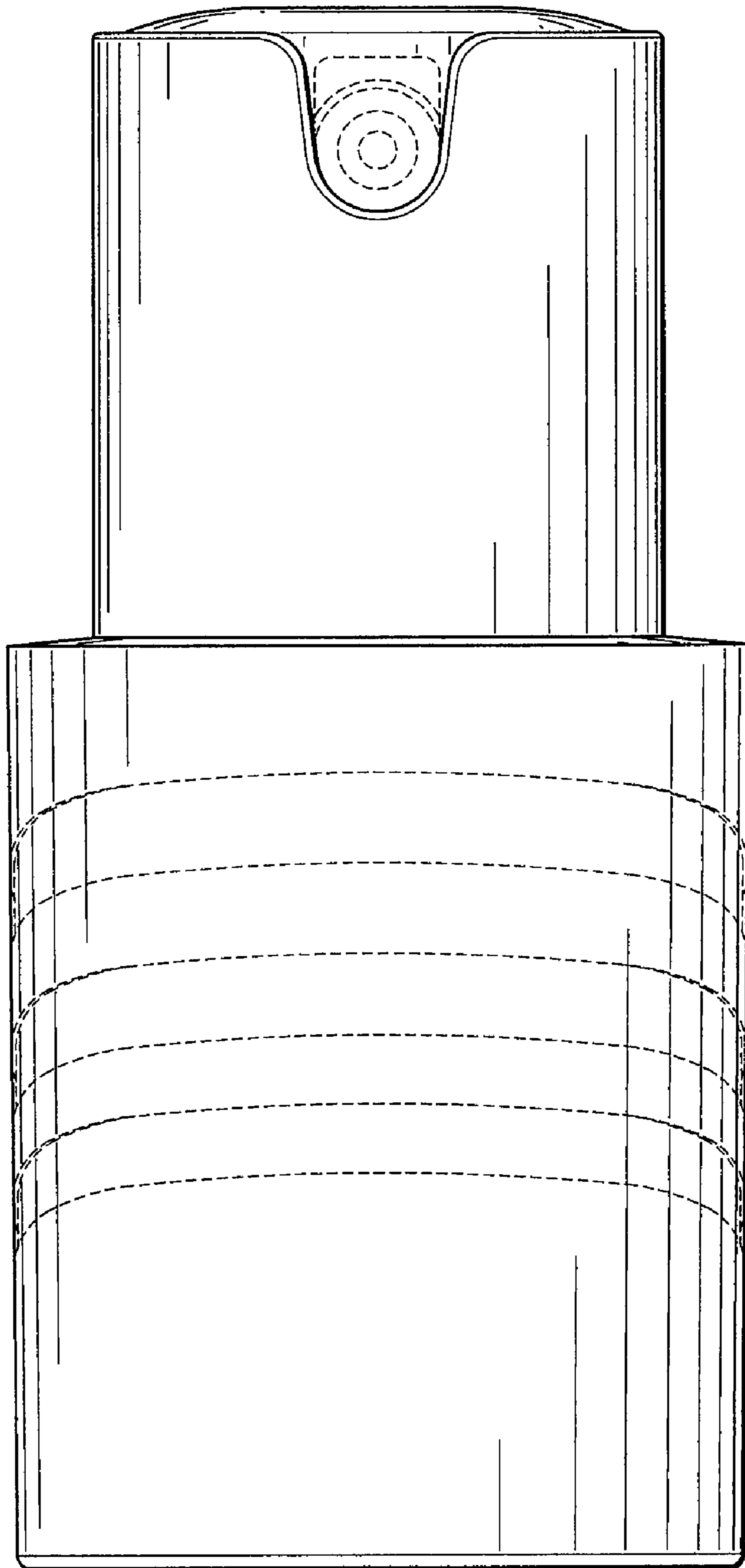


FIG. 3

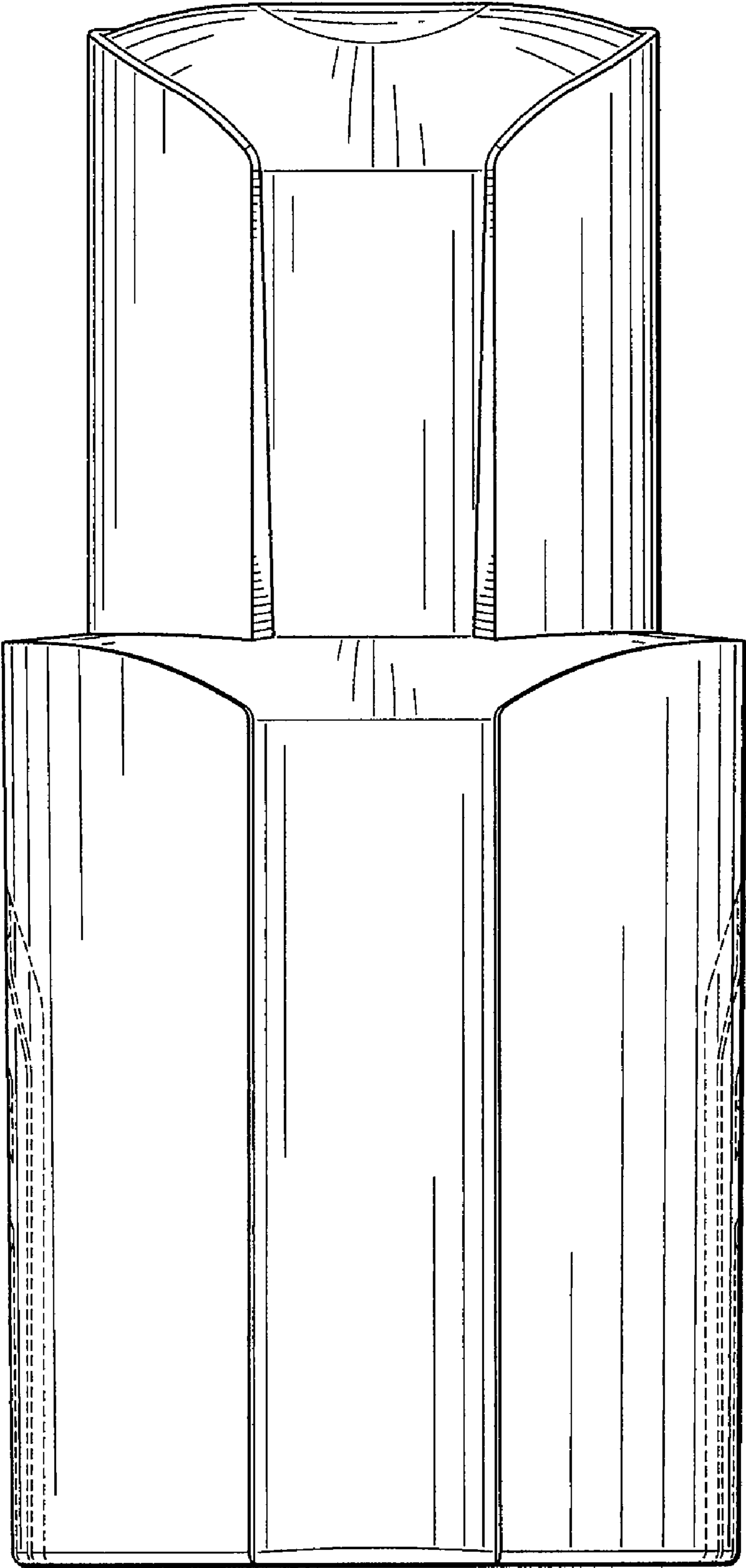


FIG. 4

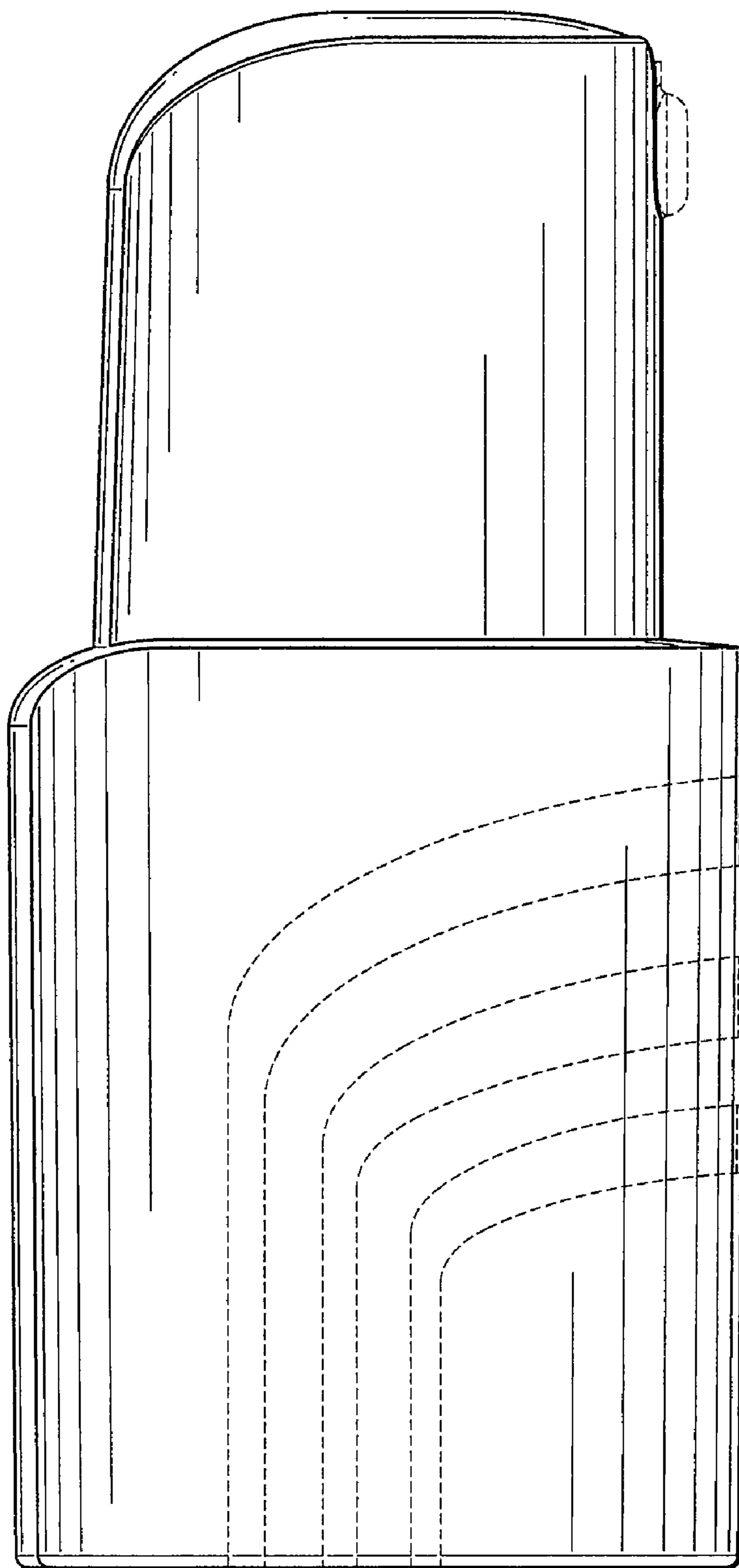


FIG. 5

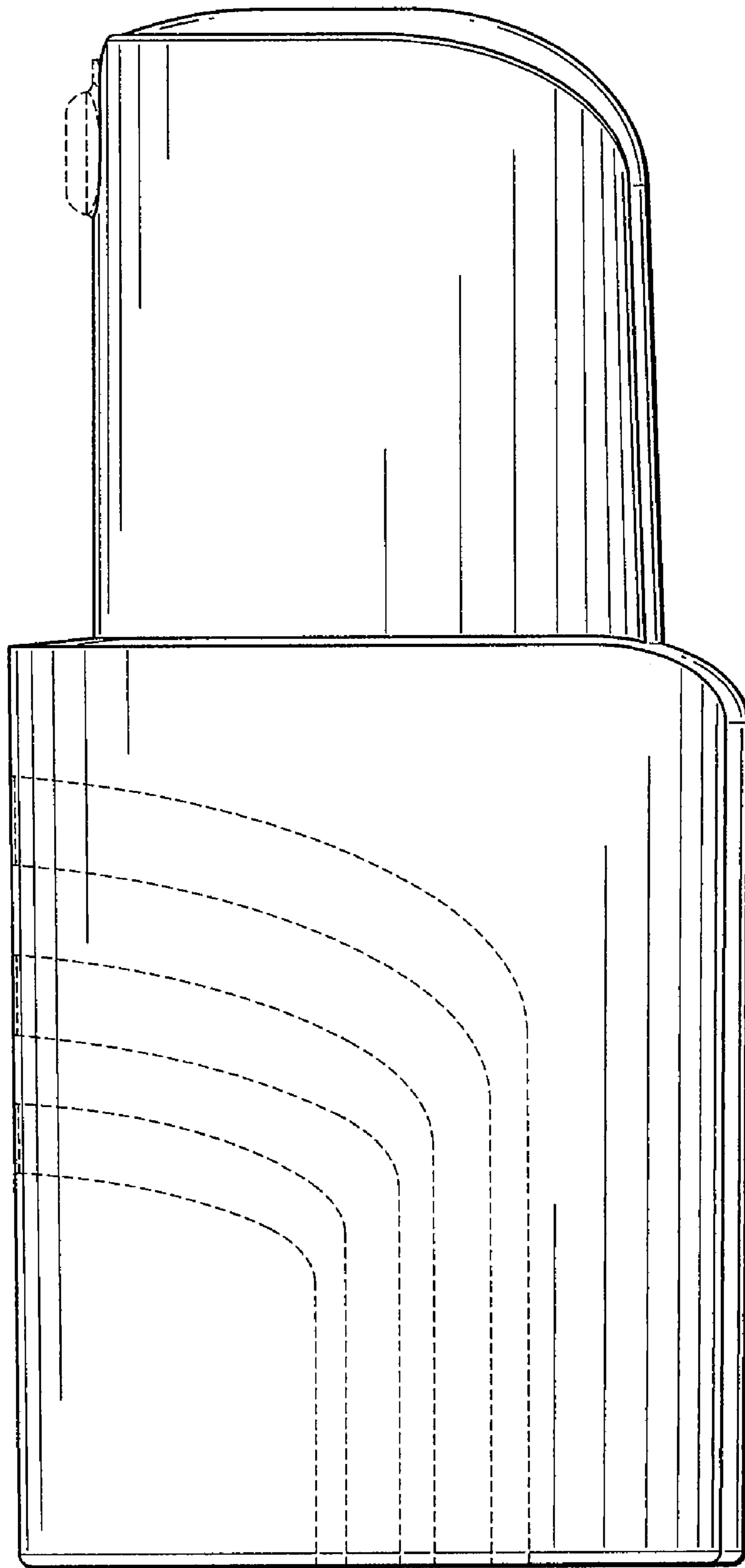


FIG. 6

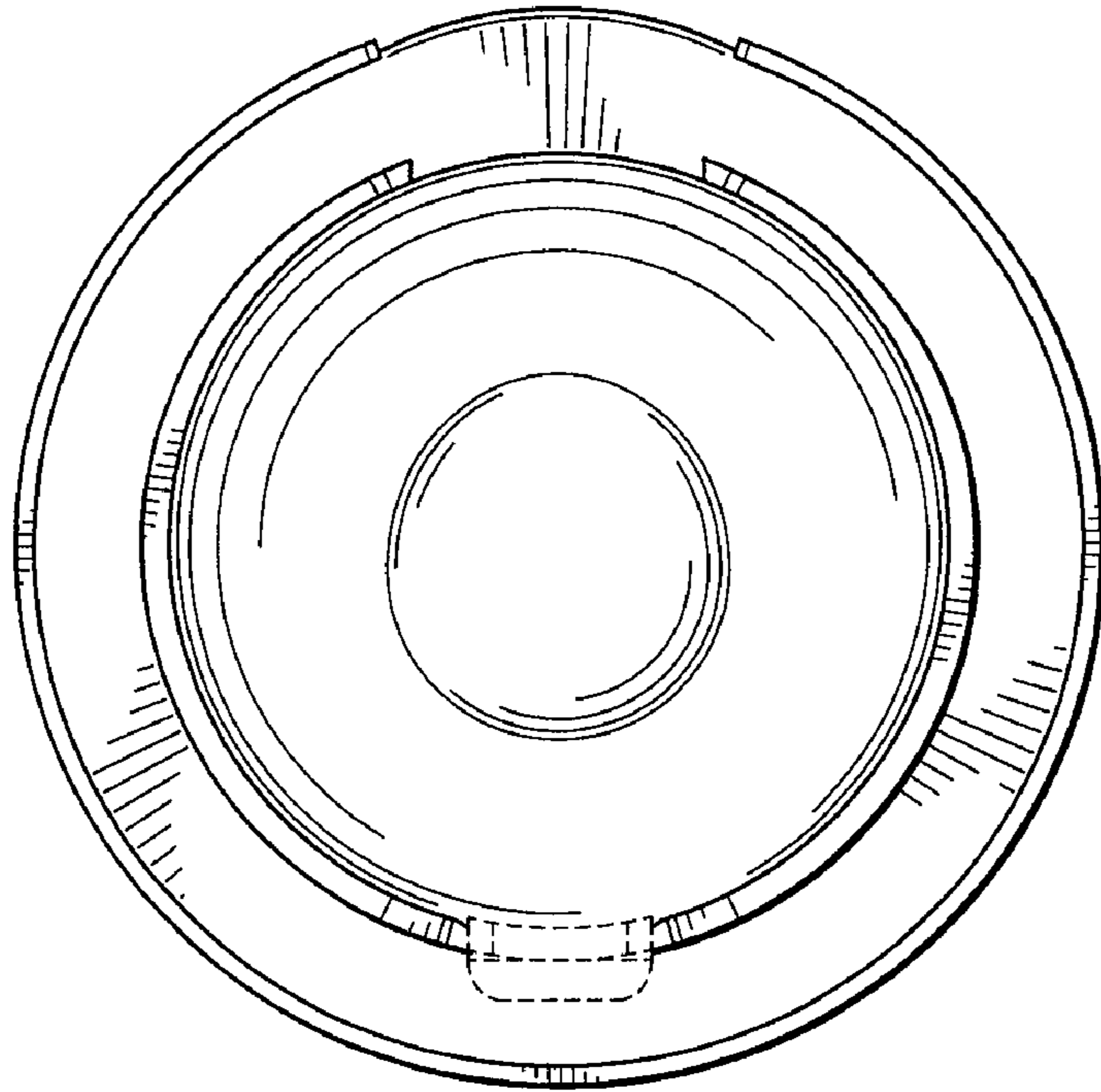


FIG. 7

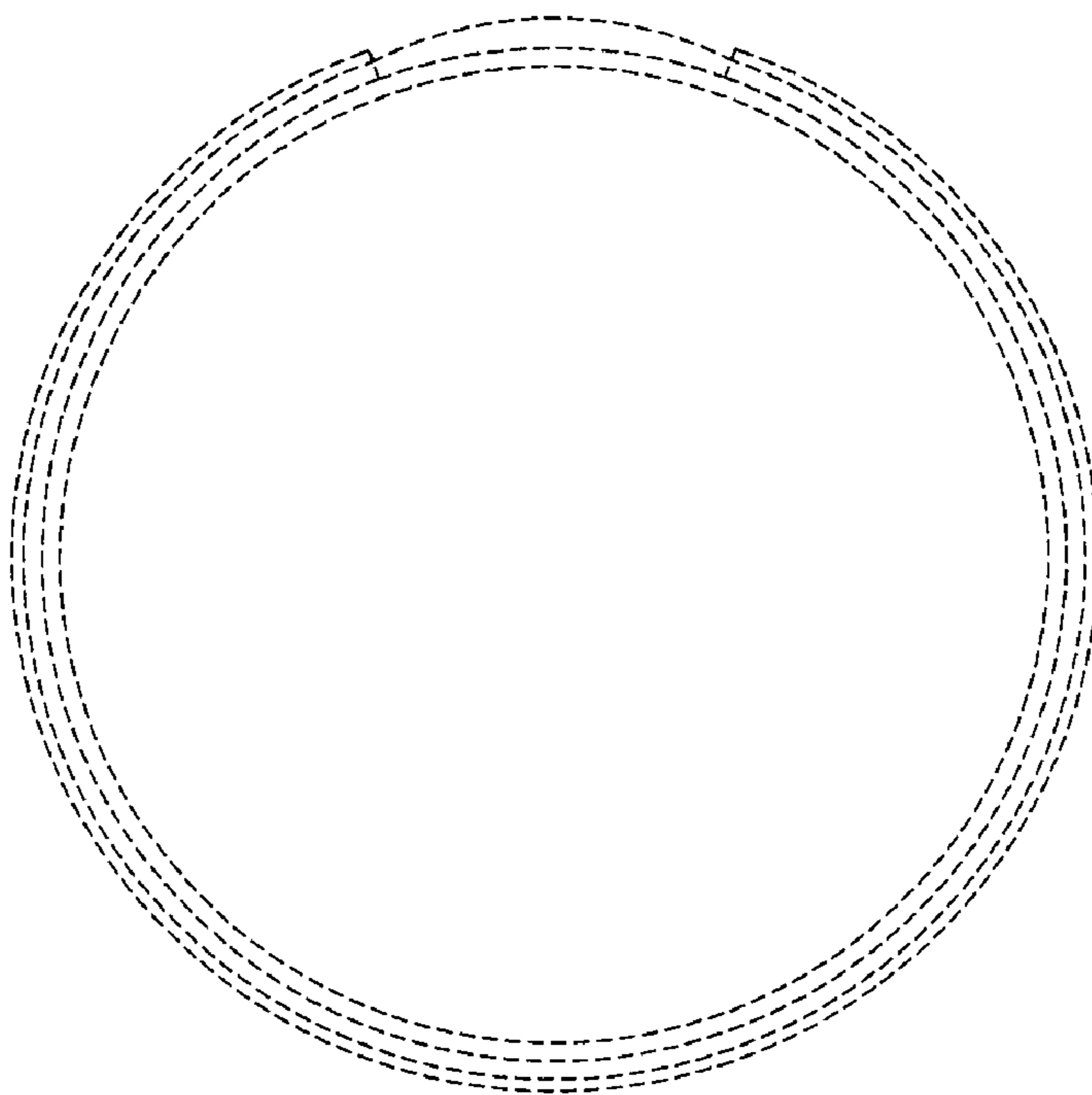


FIG. 8