



US00D618335S

(12) **United States Design Patent**  
**Nuñez**

(10) **Patent No.:** **US D618,335 S**  
(45) **Date of Patent:** **\*\* Jun. 22, 2010**

(54) **NASAL DEVICE**

(75) **Inventor:** **Alejandro Nuñez**, Doral, FL (US)

(73) **Assignee:** **Oxford Distributors & Marketing,**  
**S.A. (PA)**

(\*\*) **Term:** **14 Years**

(21) **Appl. No.:** **29/336,113**

(22) **Filed:** **Apr. 29, 2009**

(51) **LOC (9) Cl.** ..... **24-01**

(52) **U.S. Cl.** ..... **D24/108**

(58) **Field of Classification Search** ..... D24/108,  
D24/110, 121, 133, 112, 113, 114; 128/200.14,  
128/200.23, 207.17, 200.22, 200.18, 200.24,  
128/203.12, 203.15, 207.14, 911; 604/93.01,  
604/95.03, 185, 207, 217

See application file for complete search history.

(56) **References Cited**

**U.S. PATENT DOCUMENTS**

- D26,636 S \* 2/1897 Ramey et al. .... D24/110
- 4,926,852 A \* 5/1990 Zoltan et al. .... 128/200.23
- 5,012,803 A \* 5/1991 Foley et al. .... 128/200.23
- 5,012,804 A \* 5/1991 Foley et al. .... 128/200.23
- D326,517 S \* 5/1992 Funai et al. .... D24/110

- 5,505,194 A \* 4/1996 Adjei et al. .... 128/200.23
- 5,657,752 A \* 8/1997 Landis et al. .... 128/207.13
- D416,998 S \* 11/1999 Hodson et al. .... D24/110
- D421,800 S \* 3/2000 Doat ..... D24/110
- D530,815 S \* 10/2006 Murphy et al. .... D24/110
- 7,201,164 B2 \* 4/2007 Grychowski et al. ... 128/200.23

\* cited by examiner

*Primary Examiner*—Ian Simmons

*Assistant Examiner*—Wan Laymon

(74) *Attorney, Agent, or Firm*—Sanchelima & Associates,  
P.A.

(57) **CLAIM**

The ornamental design for a nasal device, as shown and described.

**DESCRIPTION**

FIG. 1 is an isometric view of a nasal device showing my new design;

FIG. 2 is a rear elevational view thereof;

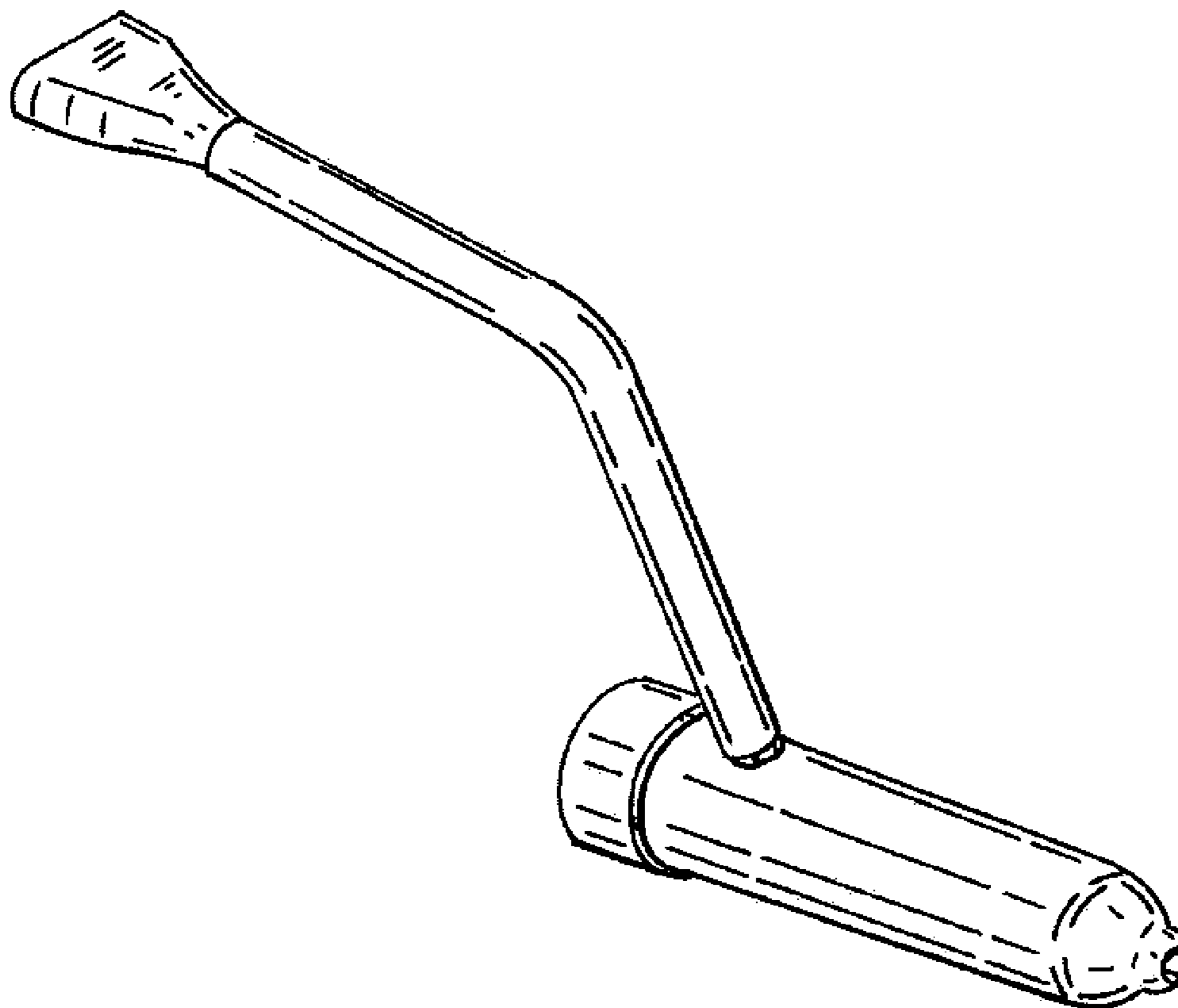
FIG. 3 is a front elevational view thereof;

FIG. 4 is a bottom plan view thereof;

FIG. 5 is a top plan view thereof; and,

FIG. 6 is a side elevational view thereof showing my design.

**1 Claim, 4 Drawing Sheets**



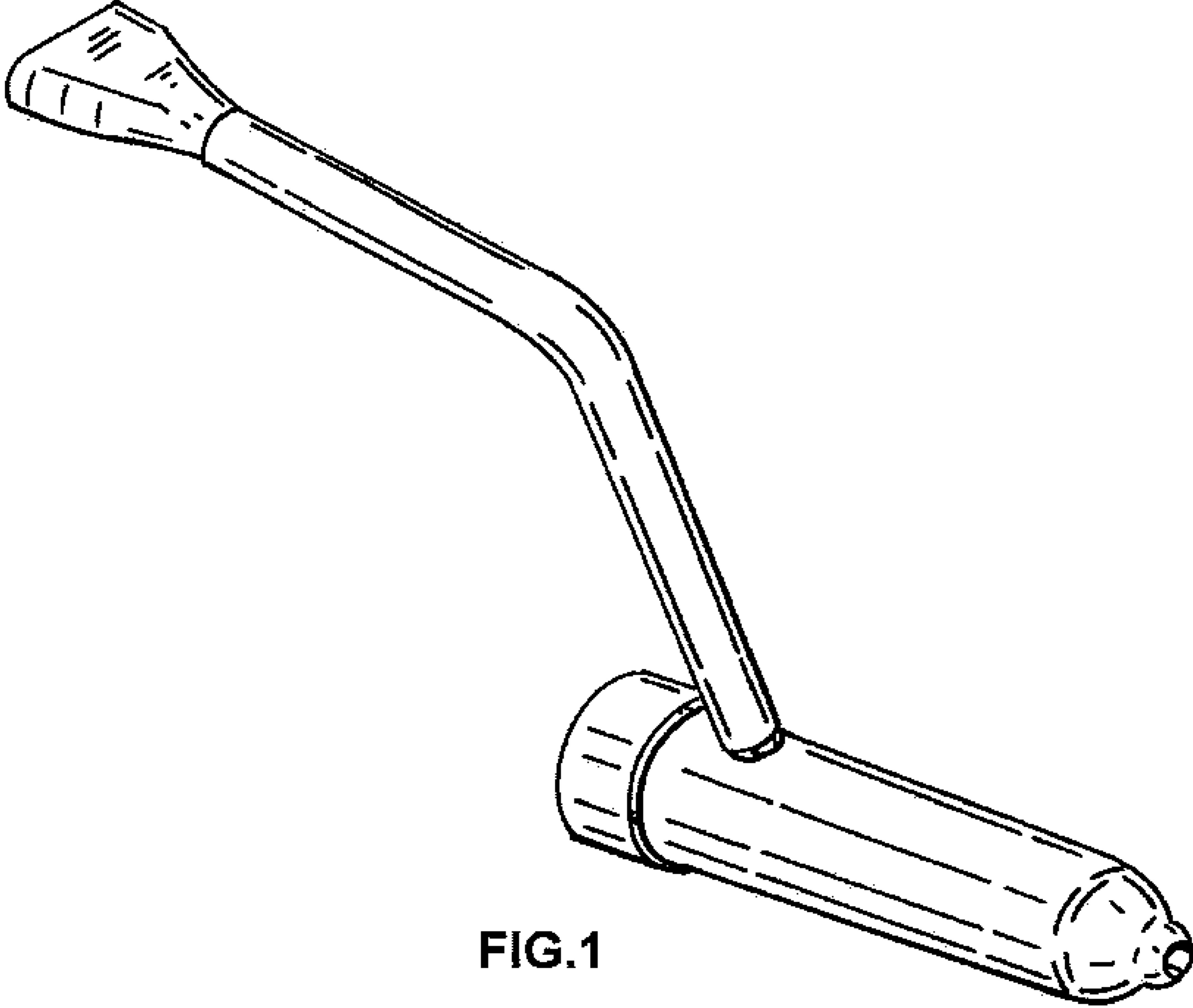


FIG. 1

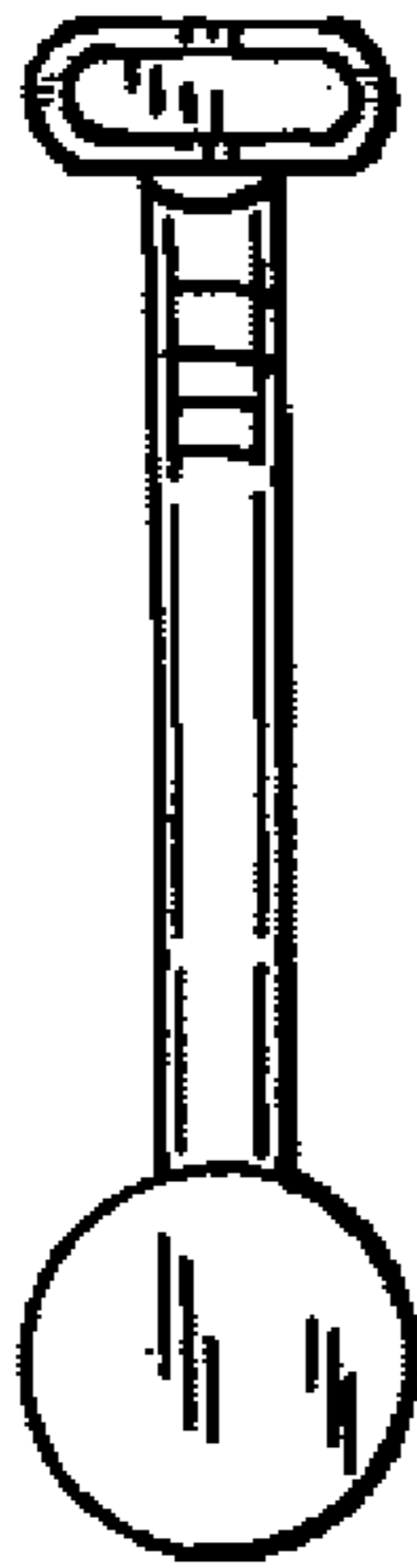


FIG. 2

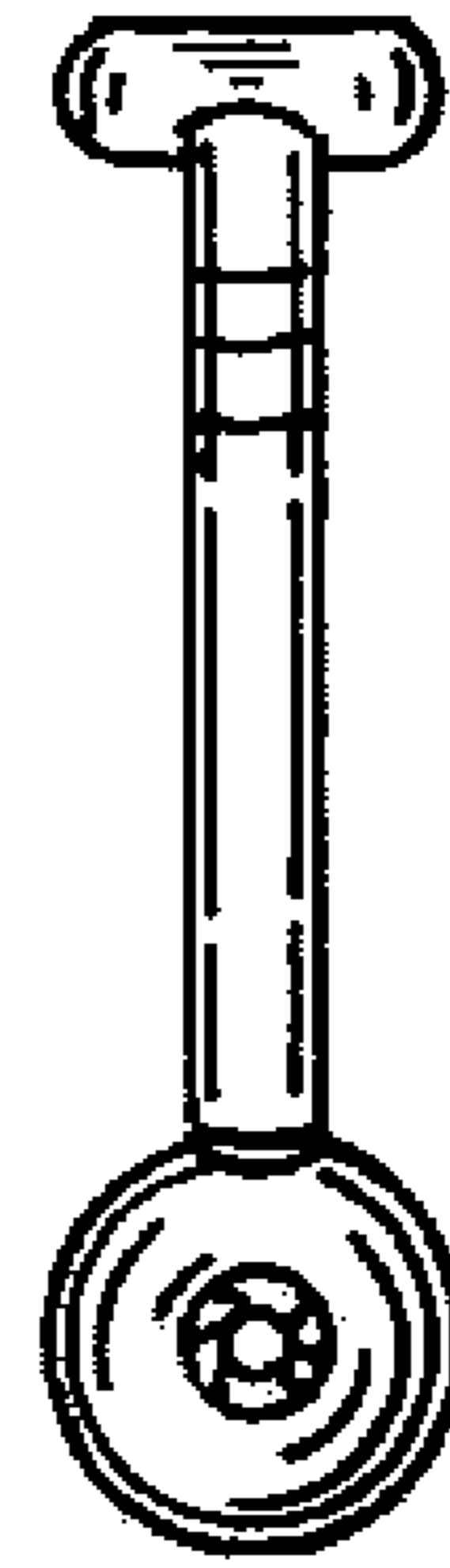


FIG. 3

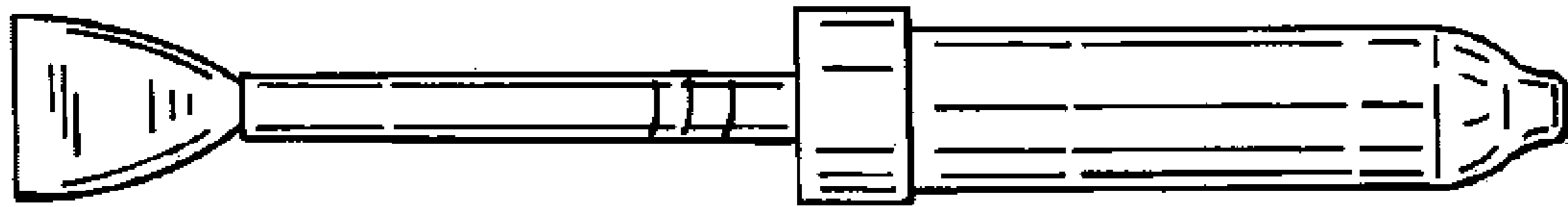


FIG. 4

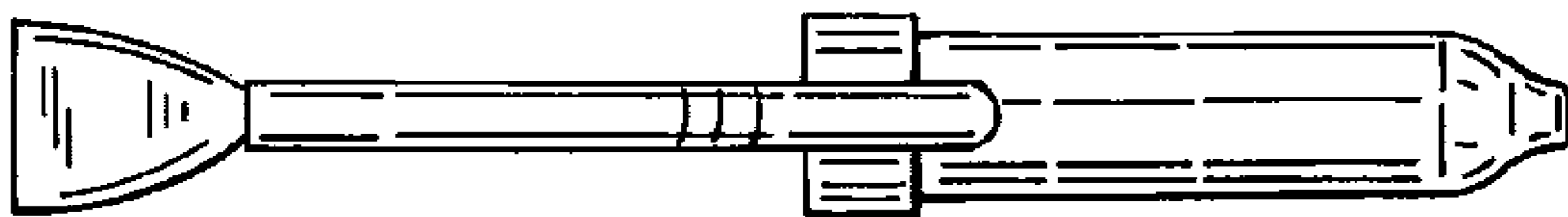


FIG. 5

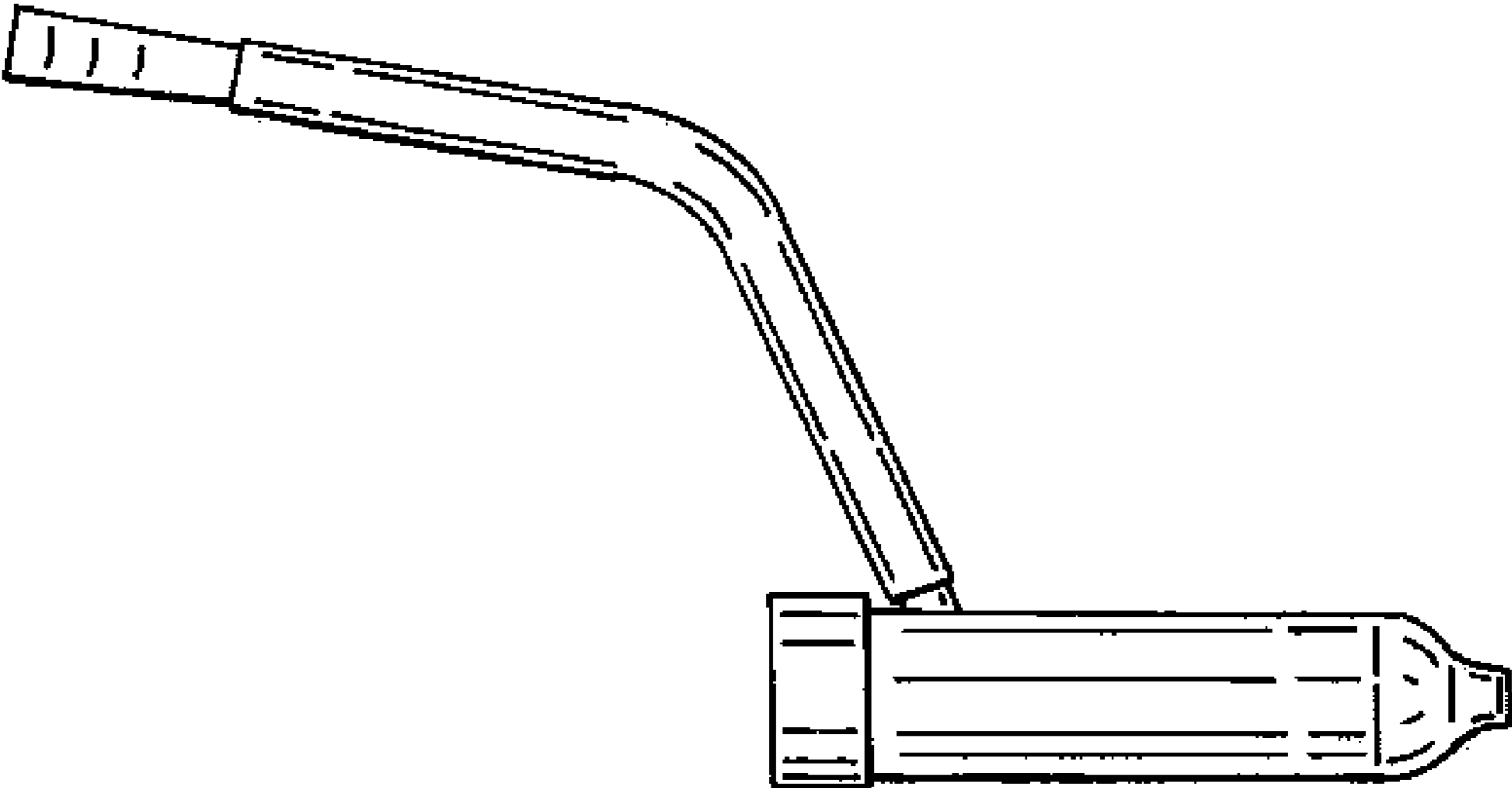


FIG.6