



US00D618334S

(12) **United States Design Patent**
Le et al.

(10) **Patent No.:** **US D618,334 S**
(45) **Date of Patent:** **** Jun. 22, 2010**

(54) **HAND CONTROL DEVICE**

(75) Inventors: **Khoi Le**, Chanhassen, MN (US); **Steven Paul Plager**, Eden Prairie, MN (US); **John Russell**, Cologne, MN (US); **Michael Horvath**, Cottage Grove, MN (US); **Jeremiah O’Leary**, Evanston, IL (US)

(73) Assignee: **ACIST Medical Systems, Inc.**, Eden Prairie, MN (US)

(**) Term: **14 Years**

(21) Appl. No.: **29/331,641**

(22) Filed: **Jan. 29, 2009**

Related U.S. Application Data

(63) Continuation-in-part of application No. 12/094,009, filed on Nov. 16, 2008.

(51) **LOC (9) Cl.** **24-01**

(52) **U.S. Cl.** **D24/108**

(58) **Field of Classification Search** D24/108,
D24/133, 137; D14/174, 218; 600/106,
600/117, 118

See application file for complete search history.

(56) **References Cited**

U.S. PATENT DOCUMENTS

5,573,515 A 11/1996 Wilson et al.

D402,028 S 12/1998 Grimm et al.
D404,717 S 1/1999 Duchon et al.
D473,942 S * 4/2003 Motoki et al. D24/137
D567,243 S * 4/2008 Ashida et al. D14/412

FOREIGN PATENT DOCUMENTS

WO WO 2007/033103 A1 3/2007

OTHER PUBLICATIONS

“ACIST CVi Contrast Delivery System User Manual”, ACIST Medical Systems, Inc., Nov. 2005, (91 pages).

* cited by examiner

Primary Examiner—Lisa P Lichtenstein

(74) *Attorney, Agent, or Firm*—Shumaker & Sieffert, P.A.

(57) **CLAIM**

The ornamental design for a hand control device, as shown and described.

DESCRIPTION

FIG. 1 is a perspective view of a hand control device embodying our new design.

FIG. 2 is a front view thereof.

FIG. 3 is a back view thereof.

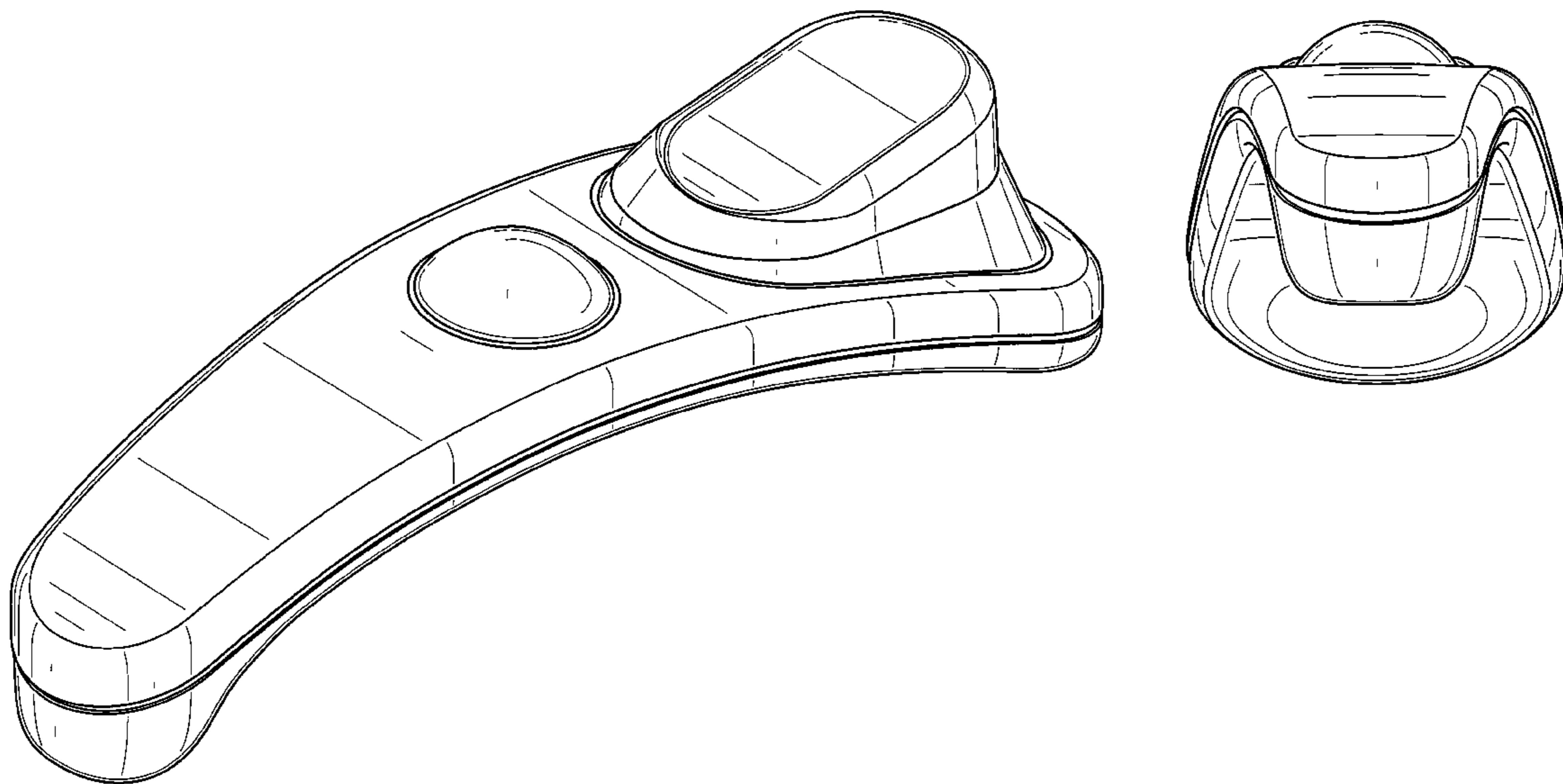
FIG. 4 is a left-side view thereof.

FIG. 5 is a right-side view thereof.

FIG. 6 is a top view thereof; and,

FIG. 7 is a bottom view thereof.

1 Claim, 6 Drawing Sheets



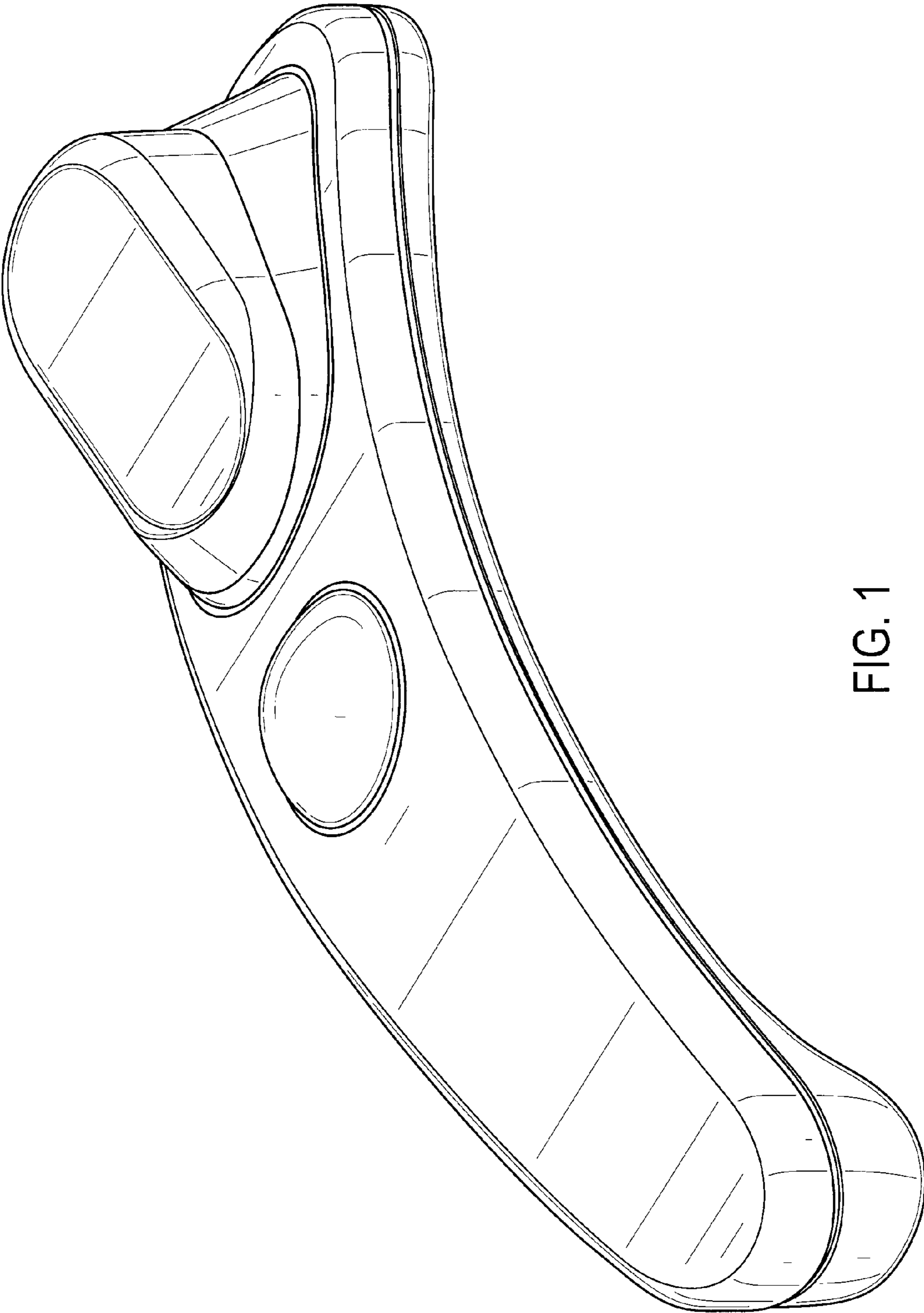


FIG. 1

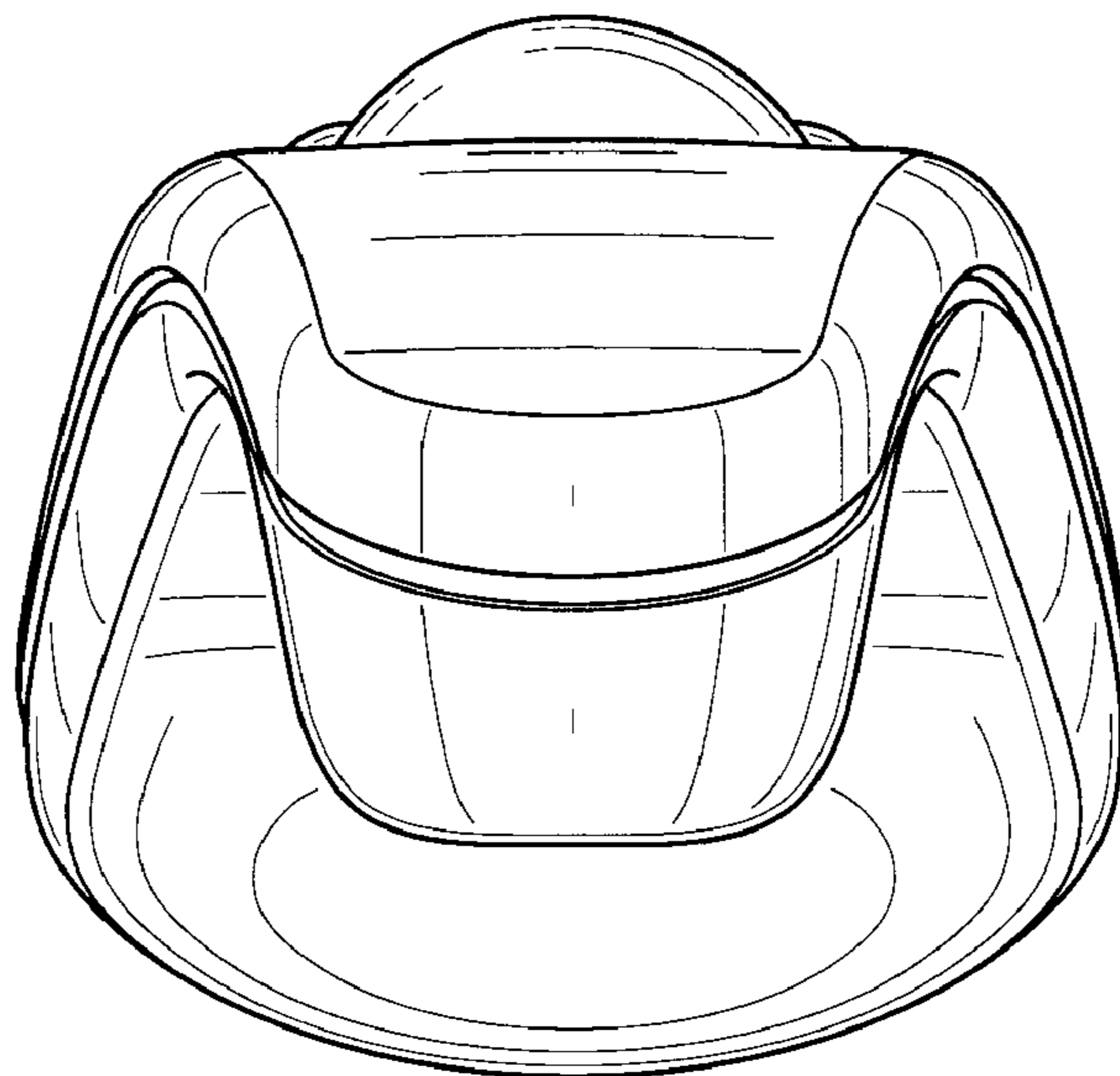


FIG. 2

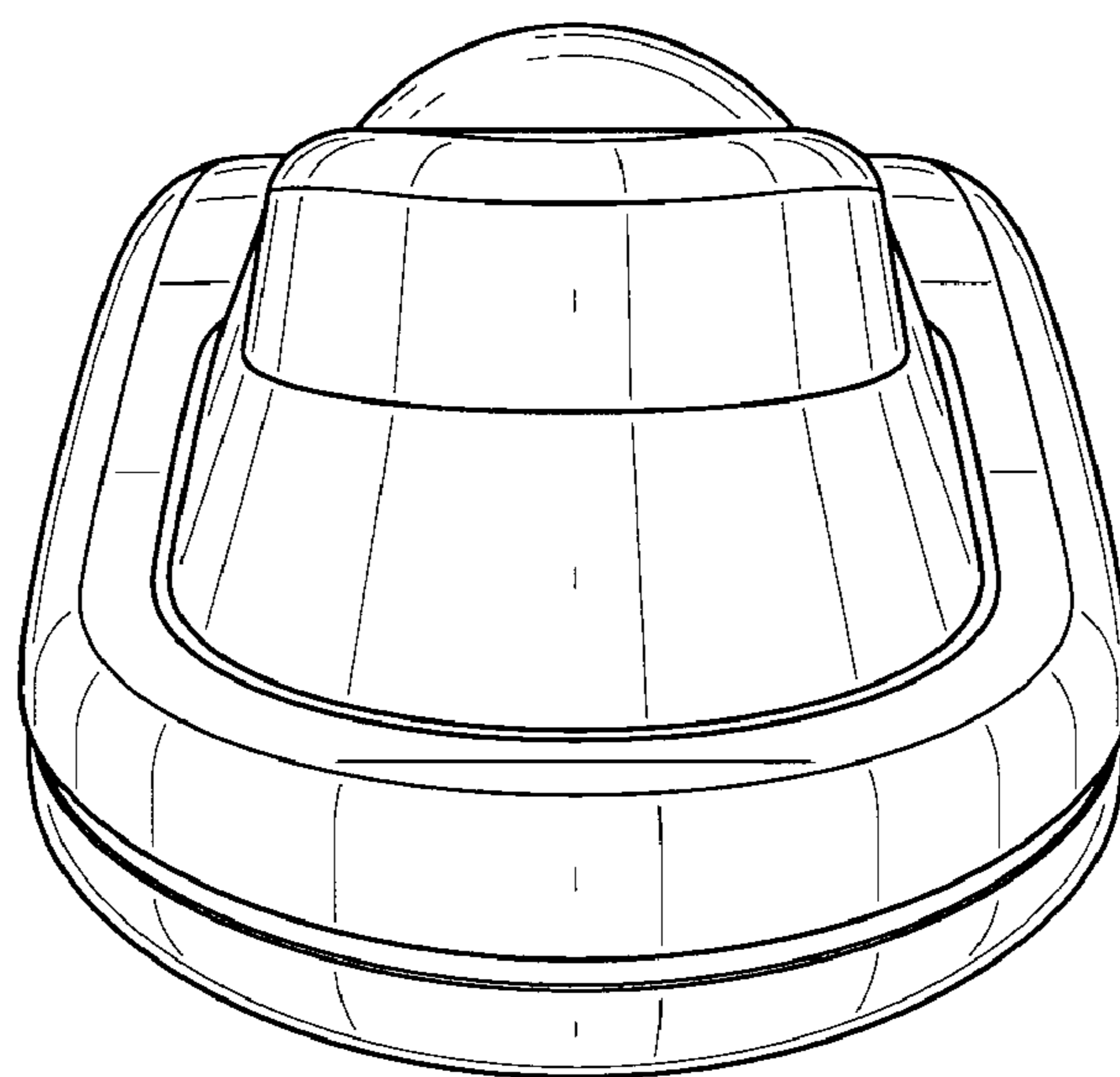


FIG. 3



FIG. 4



FIG. 5

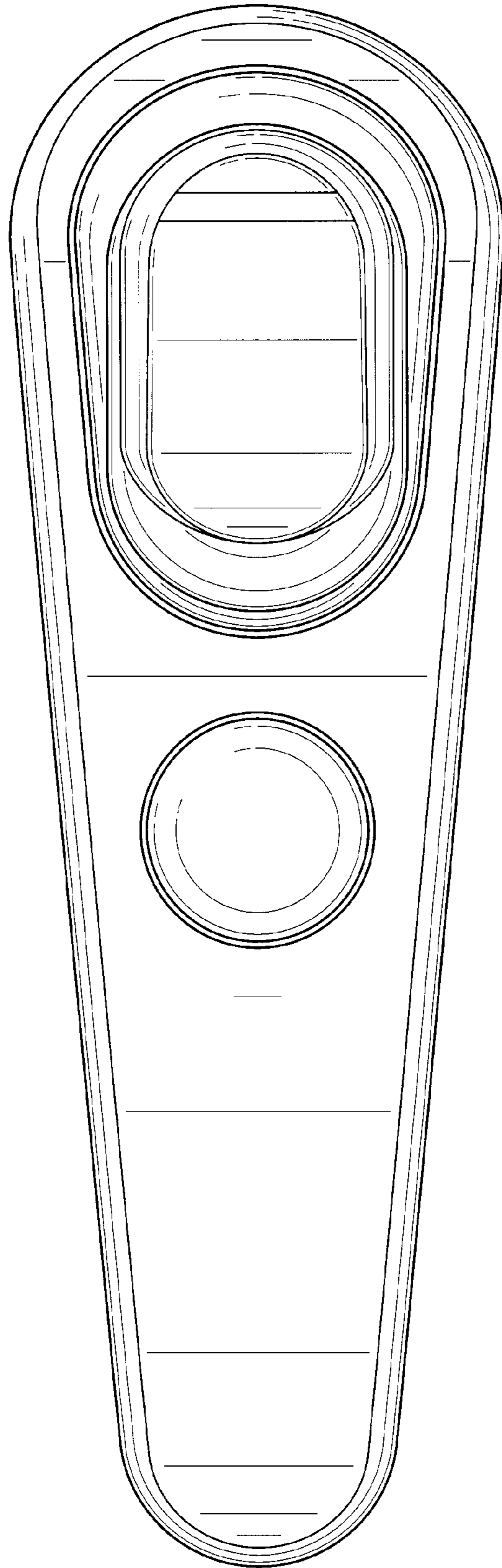


FIG. 6

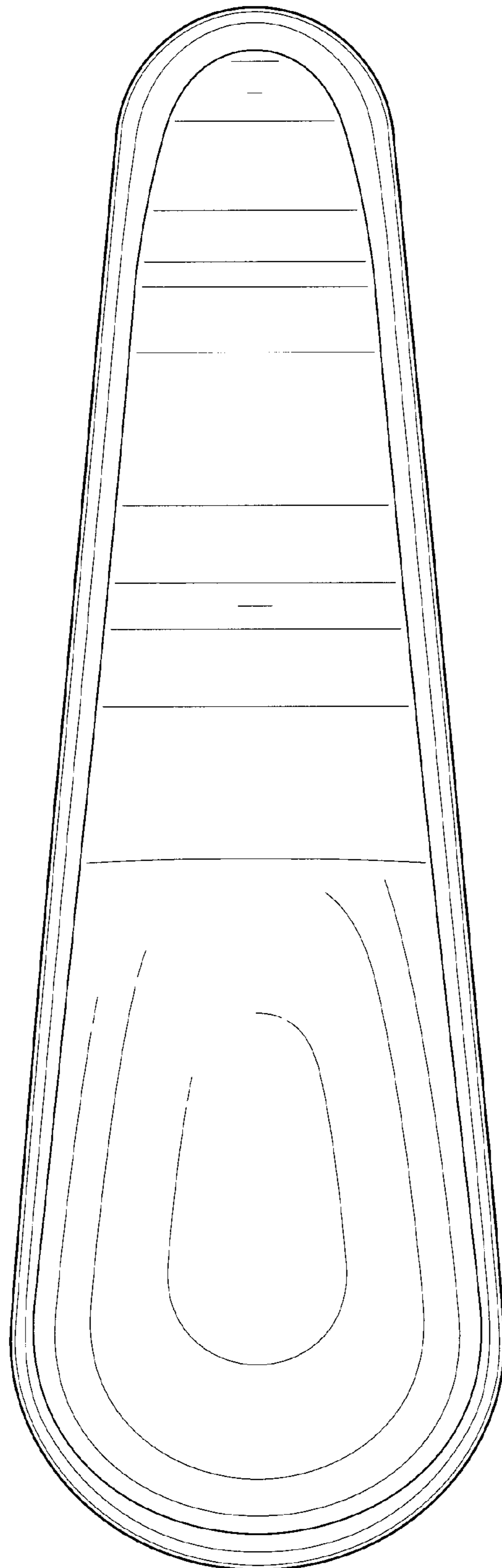


FIG. 7