



US00D618333S

(12) **United States Design Patent**  
**Turdjian**

(10) **Patent No.:** **US D618,333 S**  
(45) **Date of Patent:** **\*\* Jun. 22, 2010**

(54) **EARPLUG INSERT FOR DUAL MODE OPERATION**

(76) **Inventor:** **Crest Turdjian**, 10111 Jefferson Blvd., Culver City, CA (US) 90232

(\*\*) **Term:** **14 Years**

(21) **Appl. No.:** **29/315,052**

(22) **Filed:** **May 21, 2009**

(51) **LOC (9) Cl.** ..... **24-04**

(52) **U.S. Cl.** ..... **D24/106**

(58) **Field of Classification Search** ..... D24/106;  
181/130, 135, 128-129; 128/864-865  
See application file for complete search history.

(56) **References Cited**

**U.S. PATENT DOCUMENTS**

2,246,737	A *	6/1941	Knudsen	.....	128/865
4,048,996	A *	9/1977	Mittleman et al.	.....	604/86
D325,082	S *	3/1992	Lambert	.....	D24/111
D330,761	S *	11/1992	Falco	.....	D24/106
D355,030	S *	1/1995	Baldwin	.....	D24/110.6
D414,260	S *	9/1999	Conner	.....	D24/106
D430,673	S *	9/2000	Lindekugel	.....	D24/182

\* cited by examiner

*Primary Examiner*—Elizabeth A Albert

*Assistant Examiner*—Kelley A Donnelly

(74) *Attorney, Agent, or Firm*—Charles H. Schwartz

(57) **CLAIM**

The ornamental design for an earplug insert for dual mode operation, as shown and described.

**DESCRIPTION**

FIG. 1 is a perspective view of an earplug insert for dual mode operation in a closed position,

FIG. 2 is a perspective view of the earplug insert for dual mode operation in a closed position,

FIG. 3 is a top view thereof,

FIG. 4 is a side view thereof, the other side being a mirror image,

FIG. 5 is a back view thereof,

FIG. 6 is a front view thereof,

FIG. 7 is the earplug insert for dual mode operation in an open position,

FIG. 8 is a top view thereof,

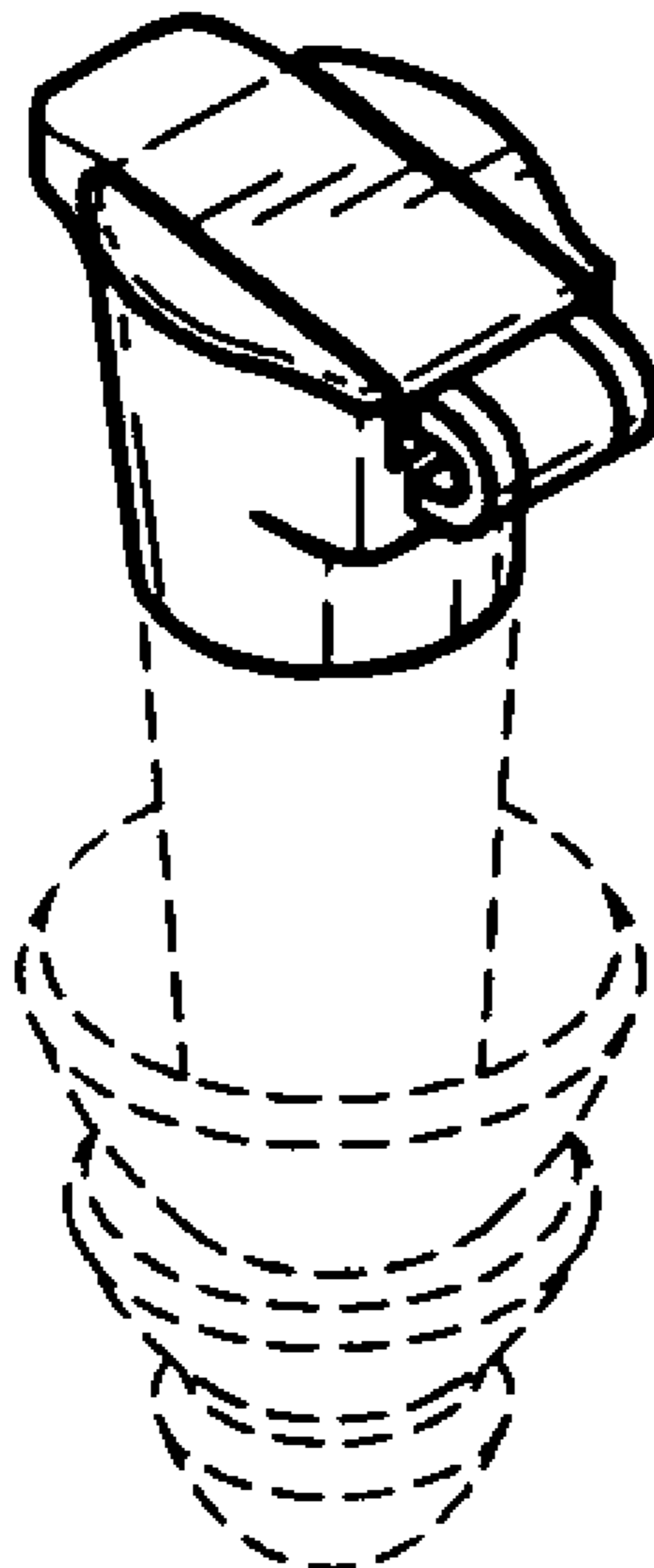
FIG. 9 is a side view thereof, the other side being a mirror image,

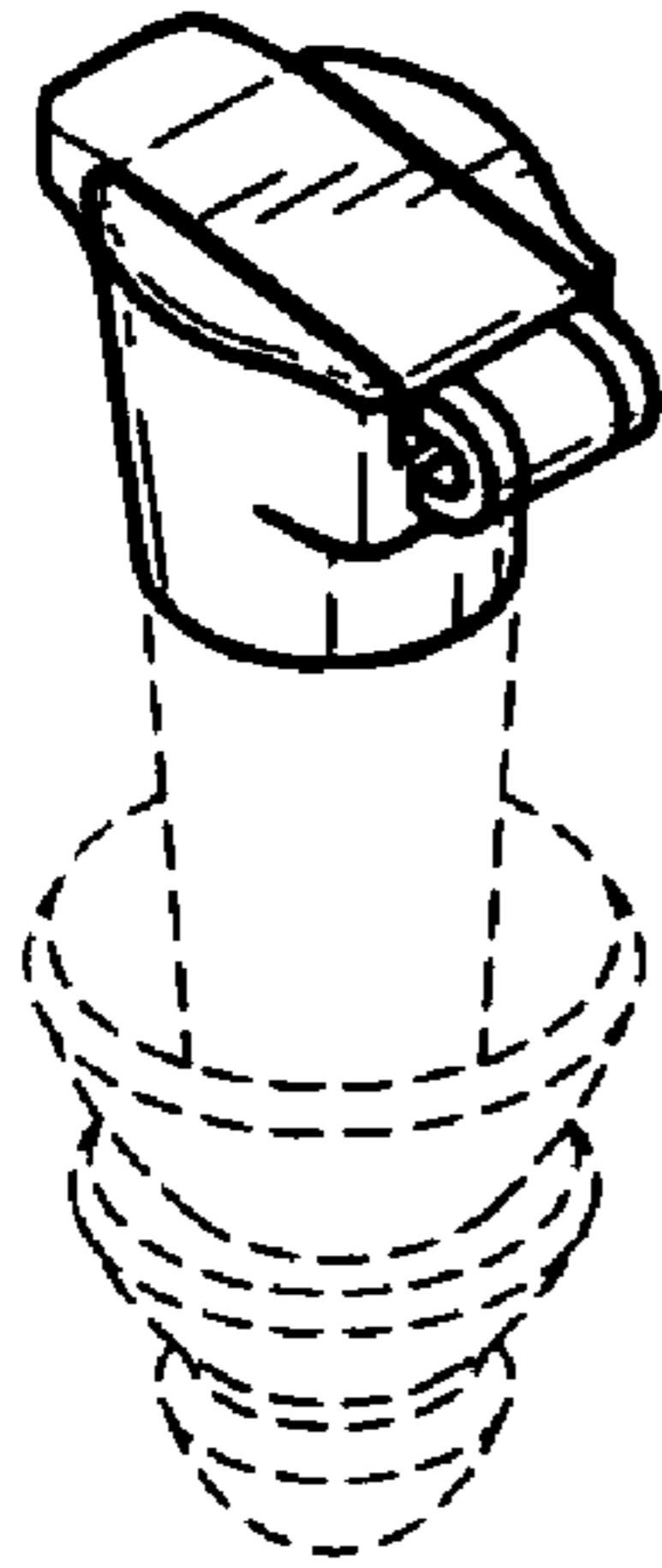
FIG. 10 is a back view thereof; and,

FIG. 11 is a front view thereof.

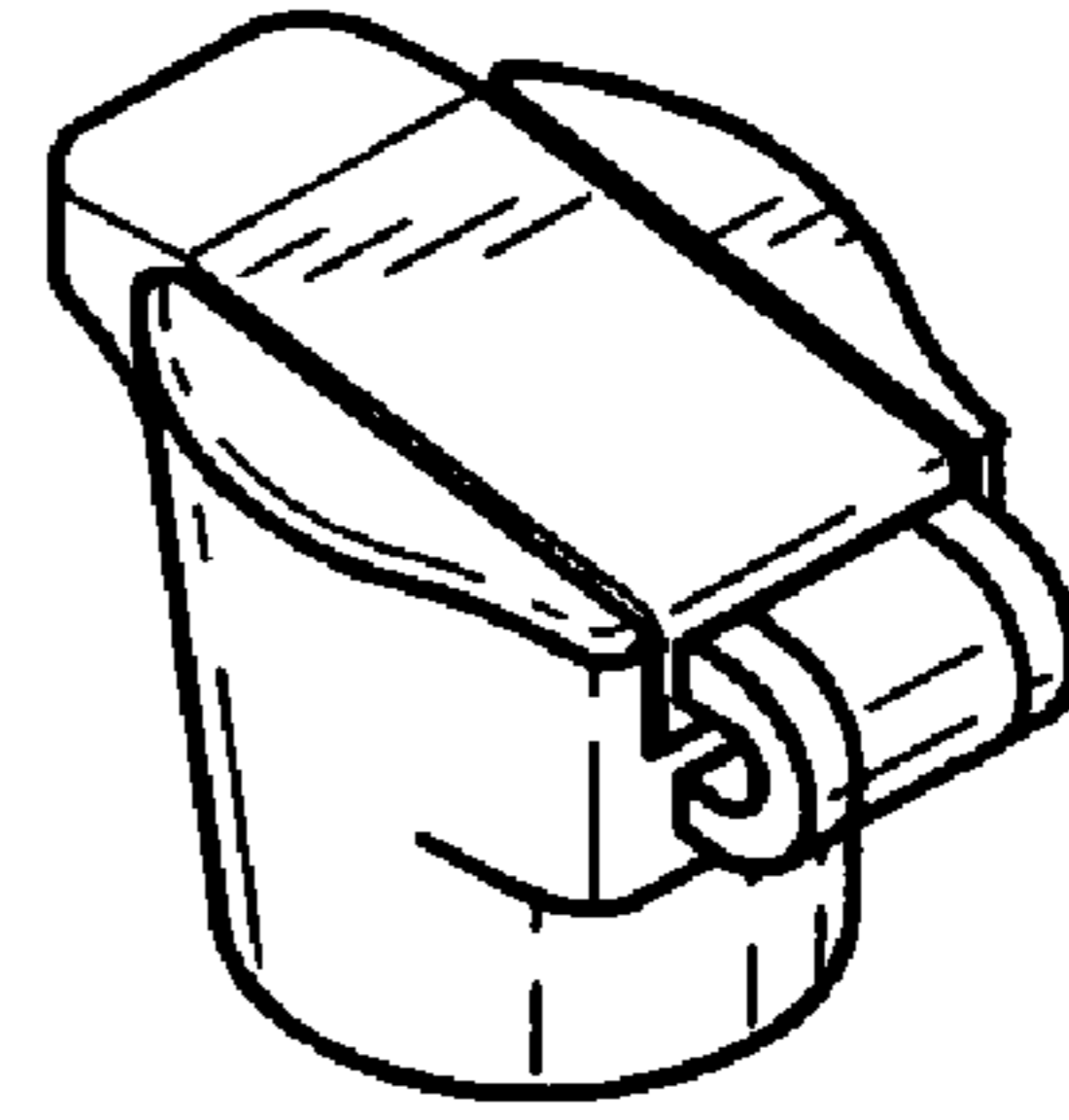
The broken lines showing a front earplug in FIG. 1 are for environmental purposes only and form no part of the claimed design.

**1 Claim, 2 Drawing Sheets**

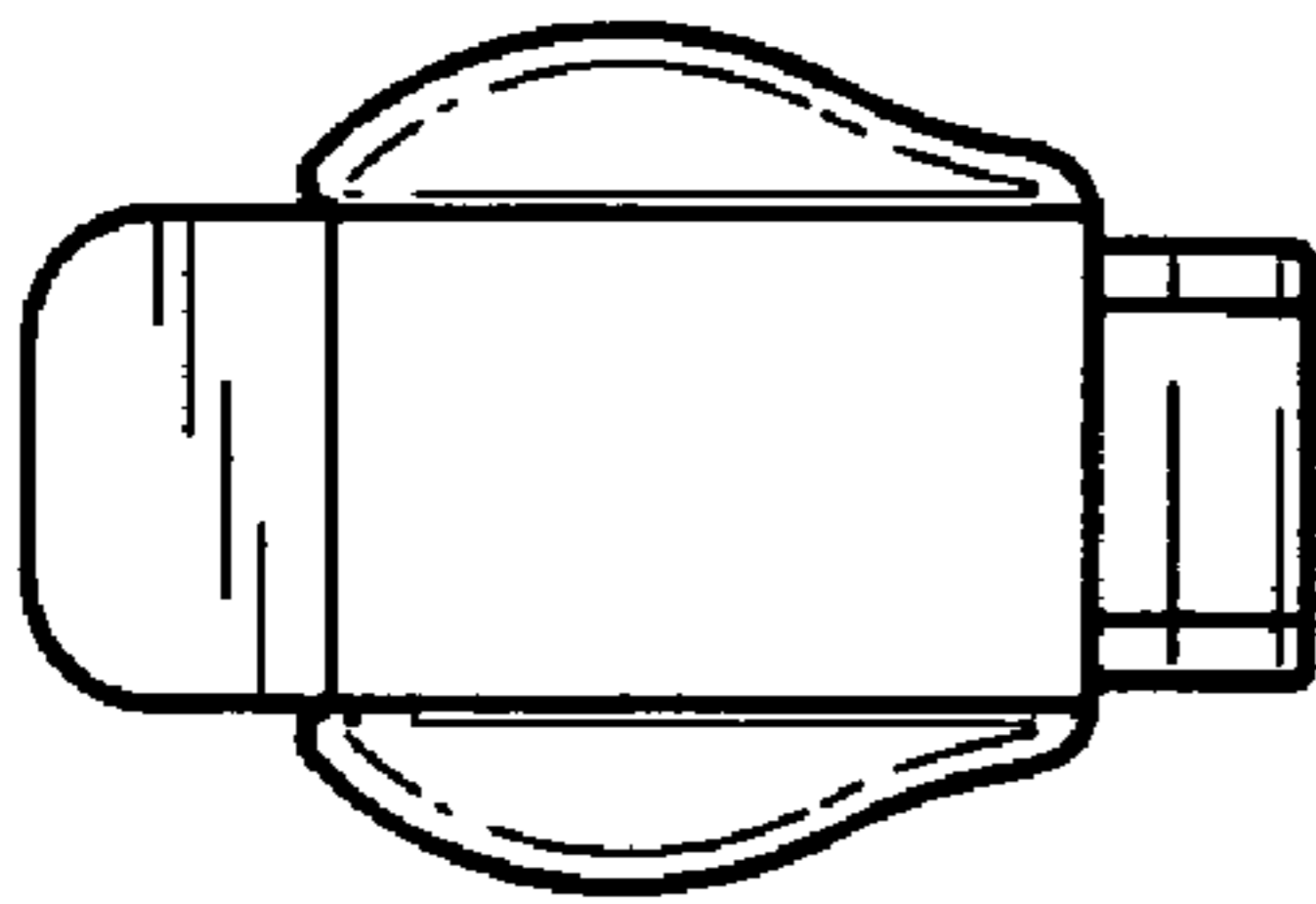




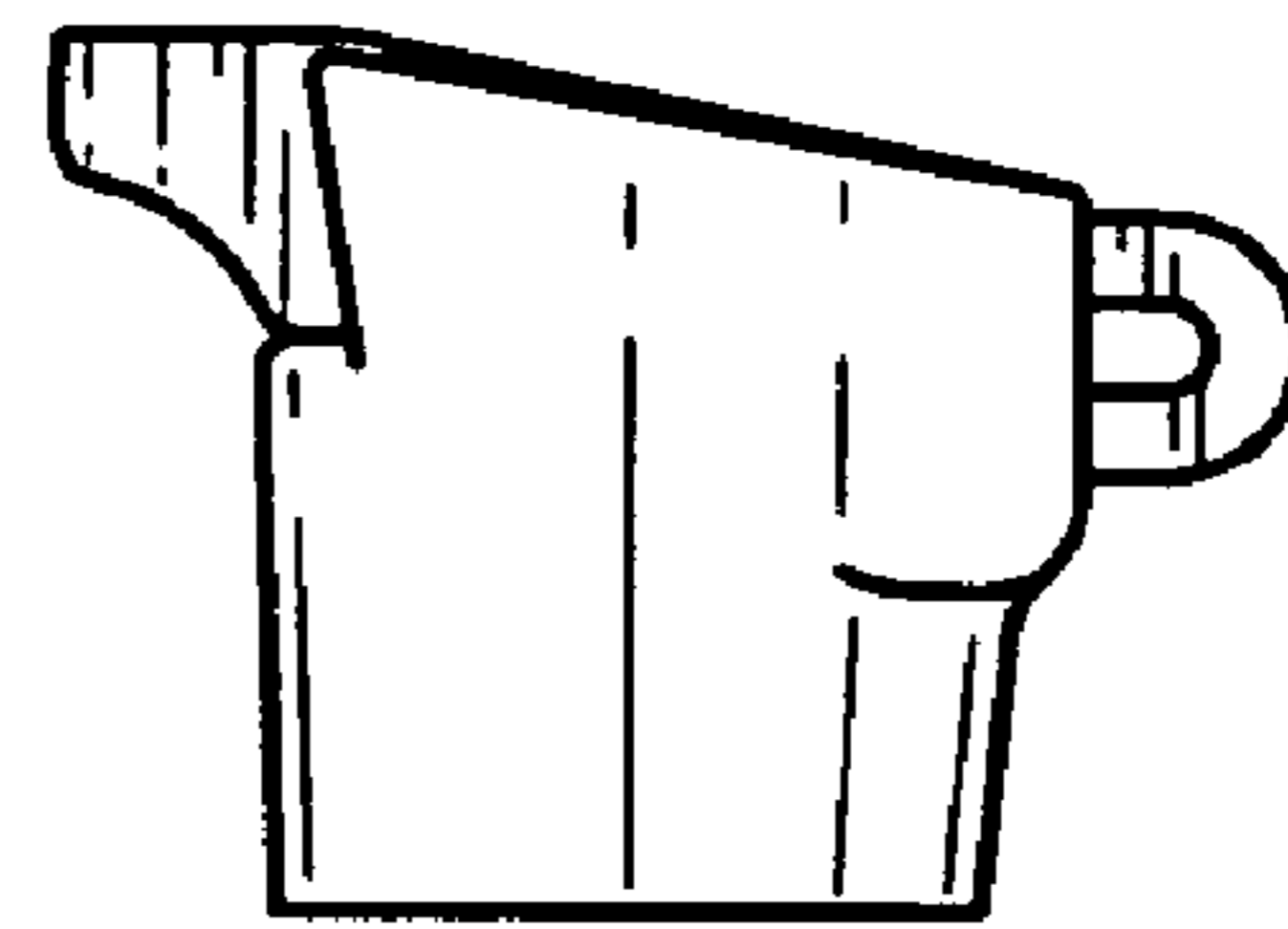
**FIG. 1**



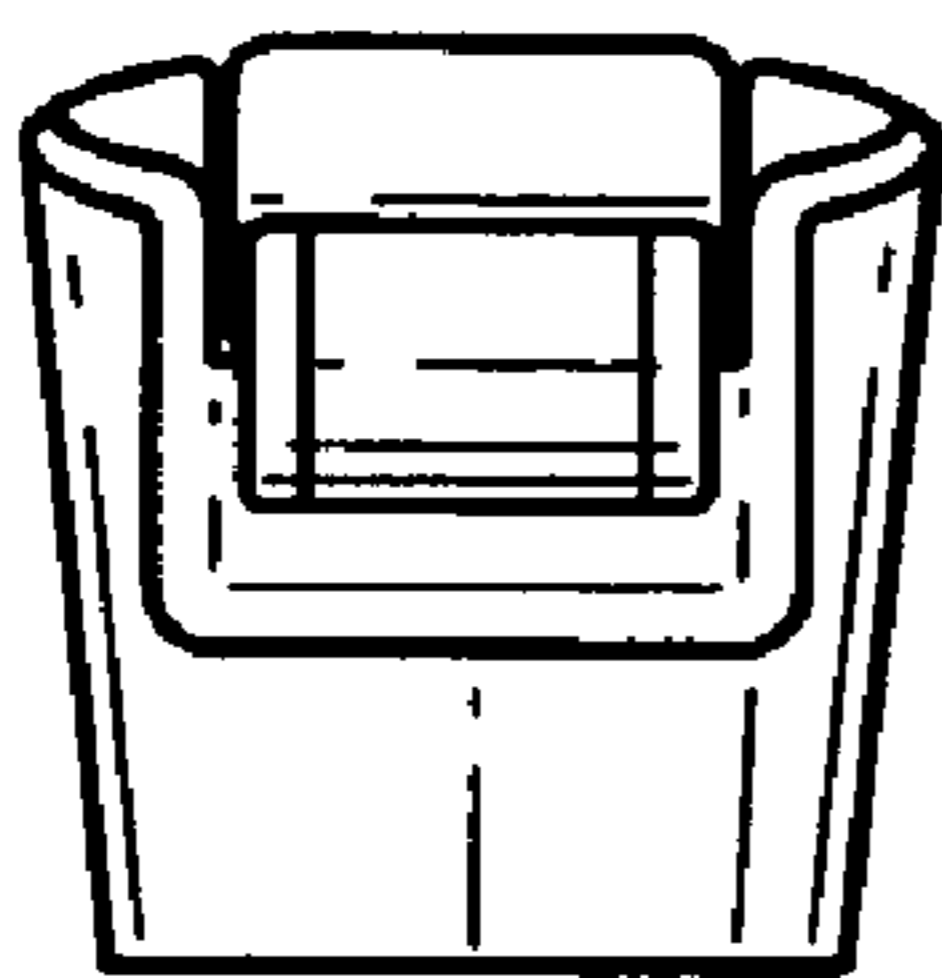
**FIG. 2**



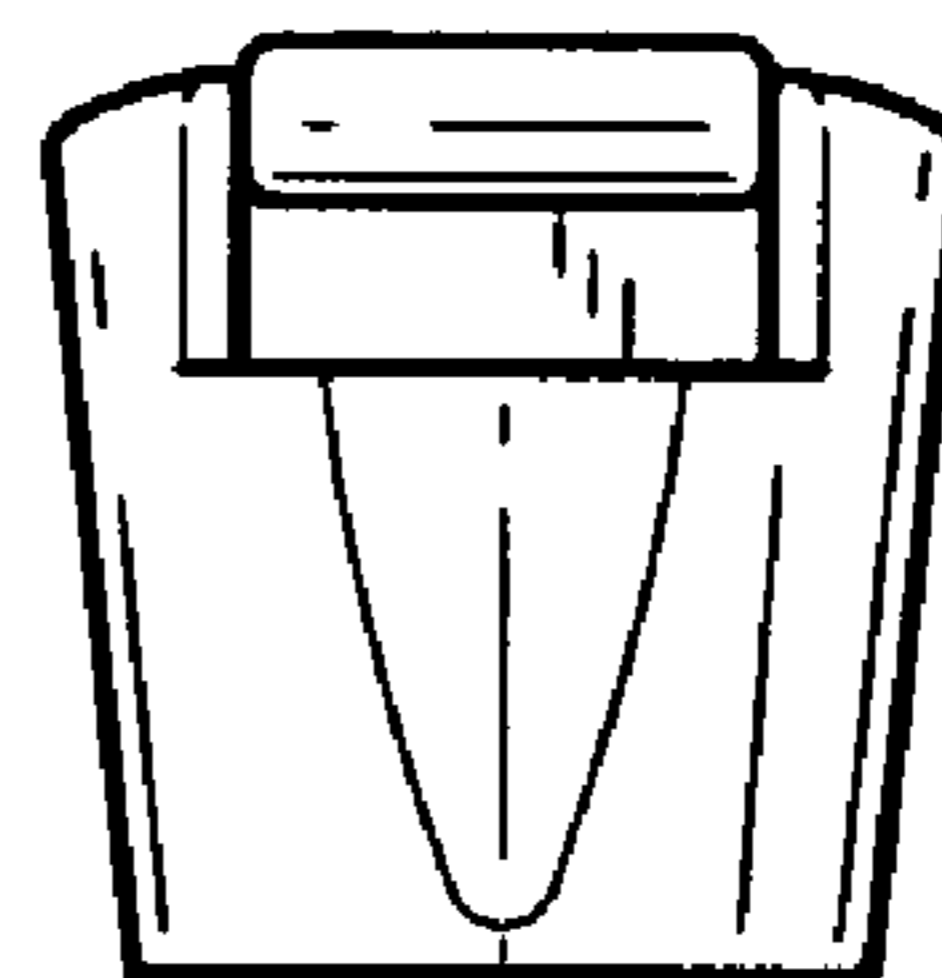
**FIG. 3**



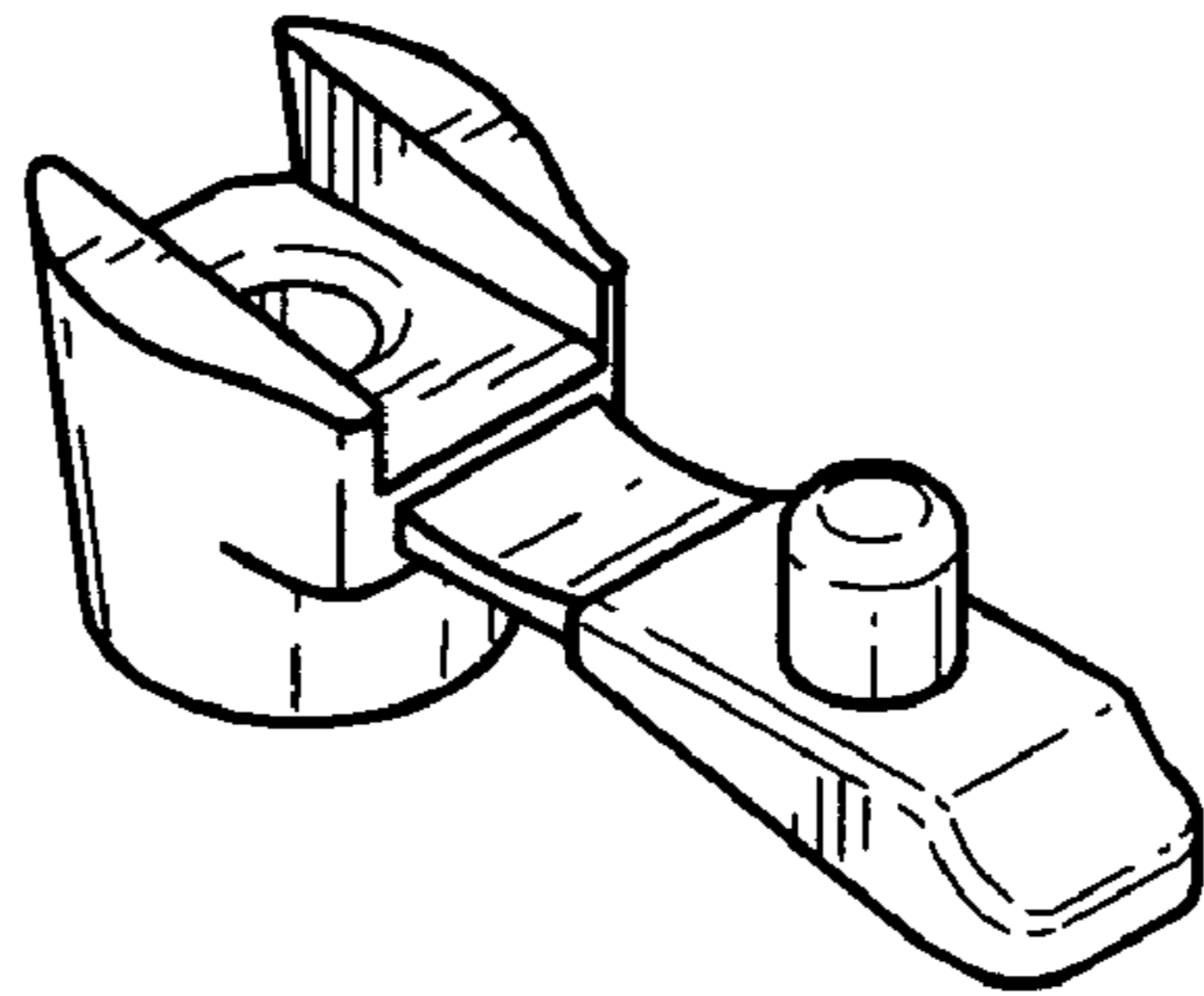
**FIG. 4**



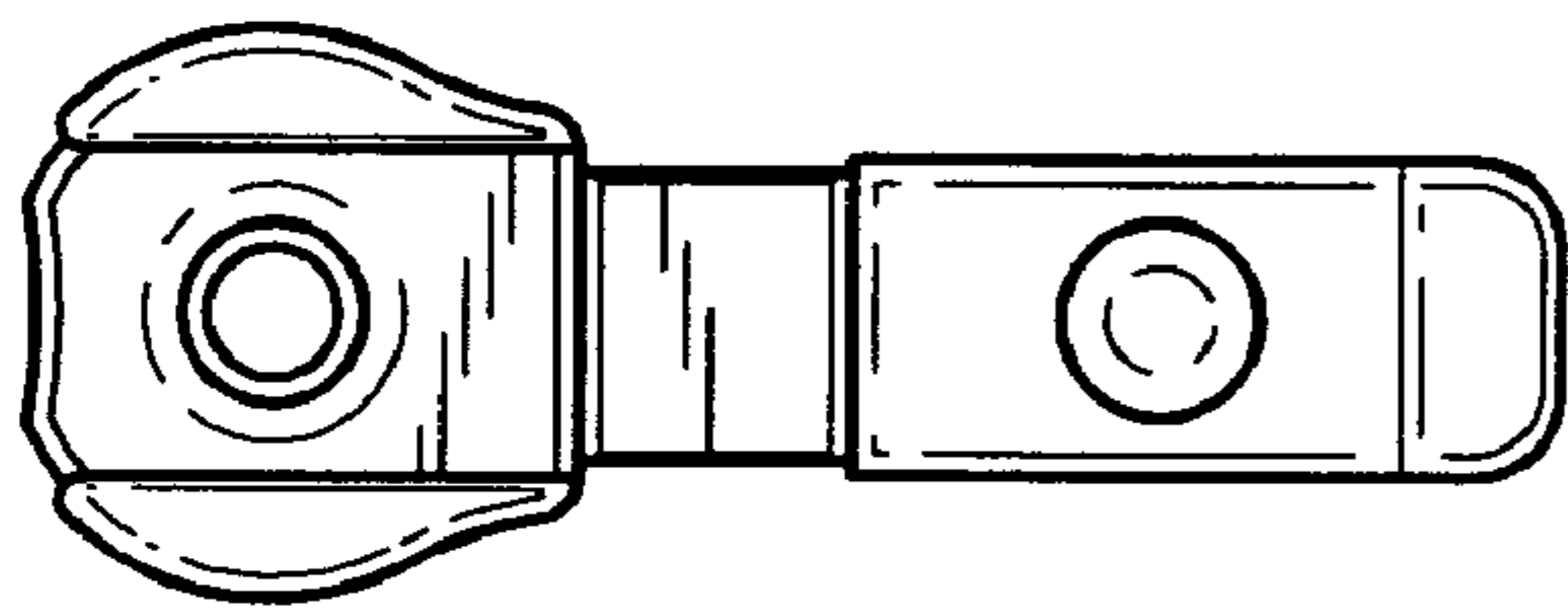
**FIG. 5**



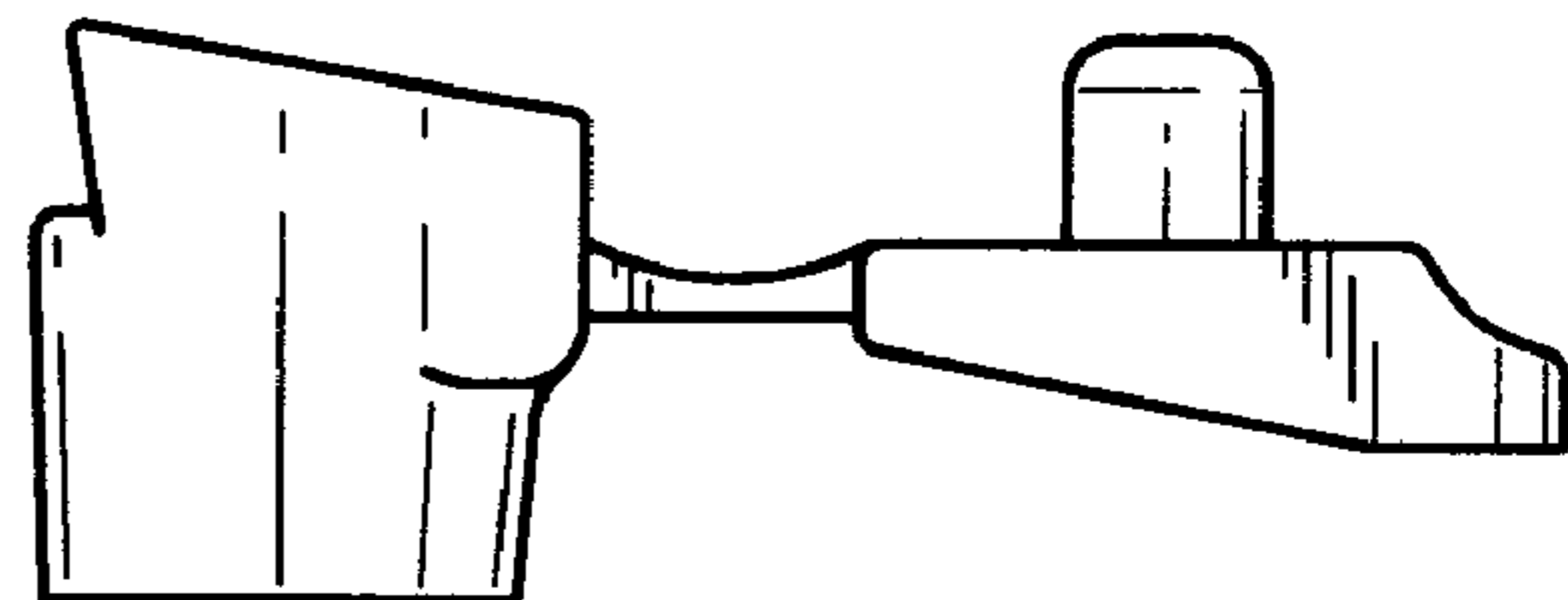
**FIG. 6**



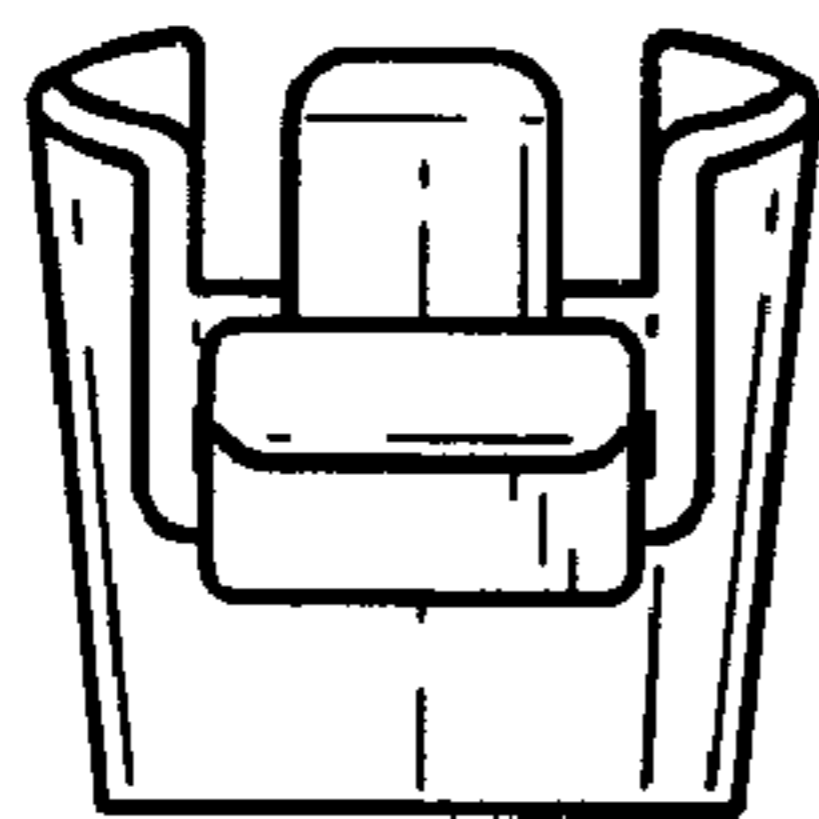
**FIG. 7**



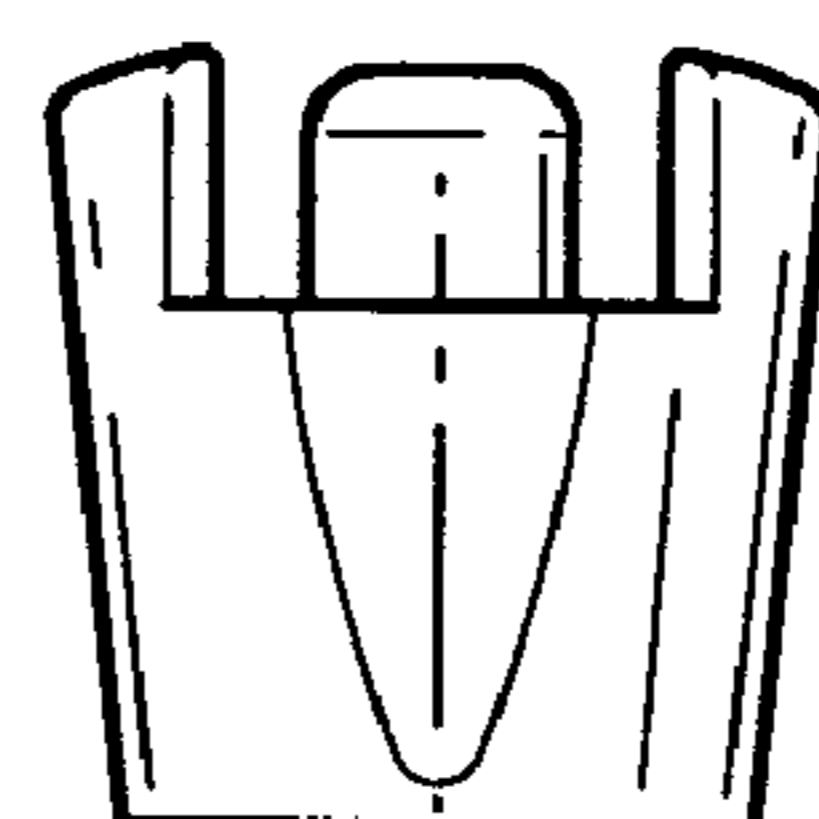
**FIG. 8**



**FIG. 9**



**FIG. 10**



**FIG. 11**