



US00D618332S

(12) **United States Design Patent**  
**Kimura et al.**

(10) **Patent No.:** **US D618,332 S**

(45) **Date of Patent:** **\*\* Jun. 22, 2010**

(54) **AIR OUTLET**

(75) Inventors: **Keiichi Kimura**, Osaka (JP); **Mitsuo Morita**, Osaka (JP); **Kazuyuki Kasahara**, Osaka (JP); **Katsuhiko Urano**, Osaka (JP)

(73) Assignee: **Kimura Kohki Co., Ltd.**, Osaka (JP)

(\*\*) Term: **14 Years**

(21) Appl. No.: **29/353,379**

(22) Filed: **Jan. 7, 2010**

(30) **Foreign Application Priority Data**

Jul. 15, 2009 (JP) ..... 2009-016189

(51) **LOC (9) Cl.** ..... **23-04**

(52) **U.S. Cl.** ..... **D23/388; D26/77**

(58) **Field of Classification Search** ..... D23/385–395, D23/397, 370–373, 351, 354, 399–403; 454/309, 454/275–277, 284, 287–291; D26/59, 3, D26/11, 51, 72, 75–78  
See application file for complete search history.

(56) **References Cited**

**U.S. PATENT DOCUMENTS**

D56,410 S \* 10/1920 Backstad ..... D23/385  
D256,156 S \* 7/1980 Garritson ..... D23/393  
D277,404 S \* 1/1985 Peterson et al. .... D23/371  
D398,393 S \* 9/1998 Horng ..... D23/370  
D418,216 S \* 12/1999 Horng ..... D23/370  
D543,652 S \* 5/2007 Hargreaves ..... D26/76  
D544,139 S \* 6/2007 Hargreaves ..... D26/76  
D544,626 S \* 6/2007 Hargreaves ..... D26/76

D544,982 S \* 6/2007 Hargreaves ..... D26/76  
D544,983 S \* 6/2007 Hargreaves ..... D26/76  
D544,985 S \* 6/2007 Hargreaves ..... D26/78  
D545,475 S \* 6/2007 Hargreaves ..... D26/76  
D574,542 S \* 8/2008 Engel ..... D26/76

\* cited by examiner

*Primary Examiner*—T. Chase Nelson

*Assistant Examiner*—David G Muller

(74) *Attorney, Agent, or Firm*—Muncy, Geissler, Olds & Lowe, PLLC

(57) **CLAIM**

The ornamental design of an air outlet, as shown and described.

**DESCRIPTION**

FIG. 1 is a perspective view of an air outlet according to the present invention.

FIG. 2 is a front elevational view of the air outlet of FIG. 1.

FIG. 3 is a rear elevational view of the air outlet of FIG. 1.

FIG. 4 is a left side elevational view of the air outlet of FIG. 1.

FIG. 5 is a right side elevational view of the air outlet of FIG. 1.

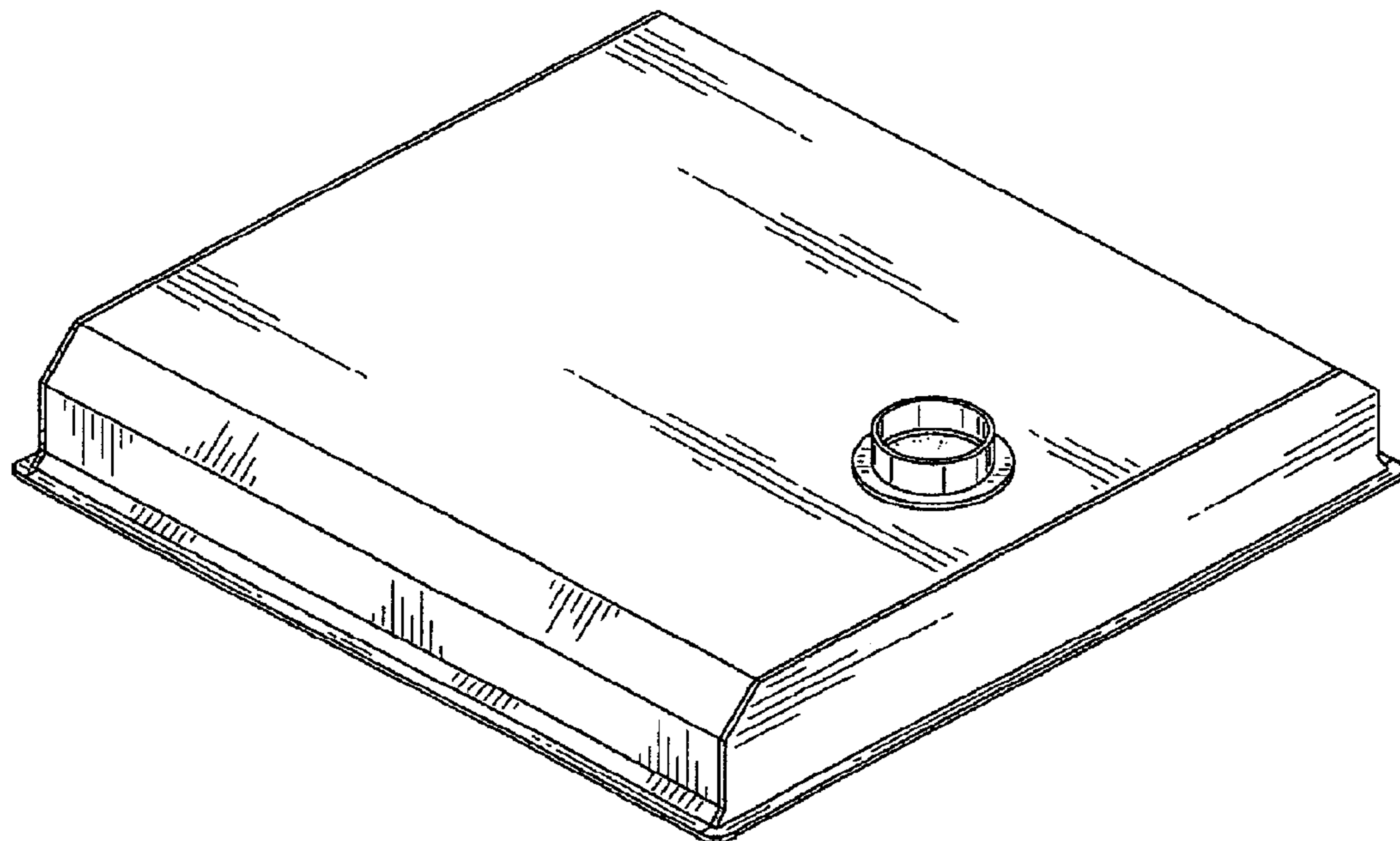
FIG. 6 is a top plan view of the air outlet of FIG. 1.

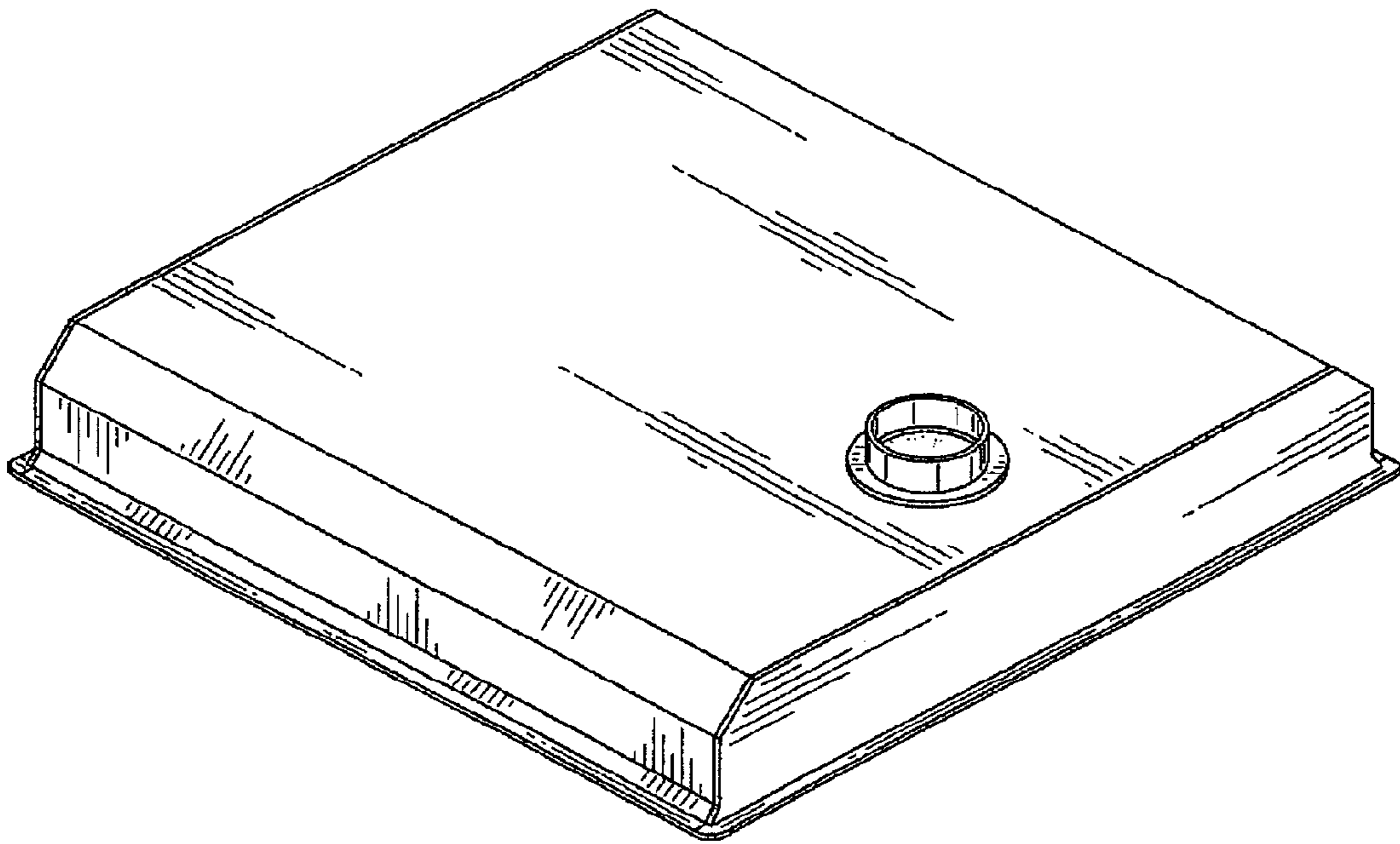
FIG. 7 is a bottom plan view of the air outlet of FIG. 1.

FIG. 8 is a sectional elevational view taken along line 8—8 in FIG. 2; and,

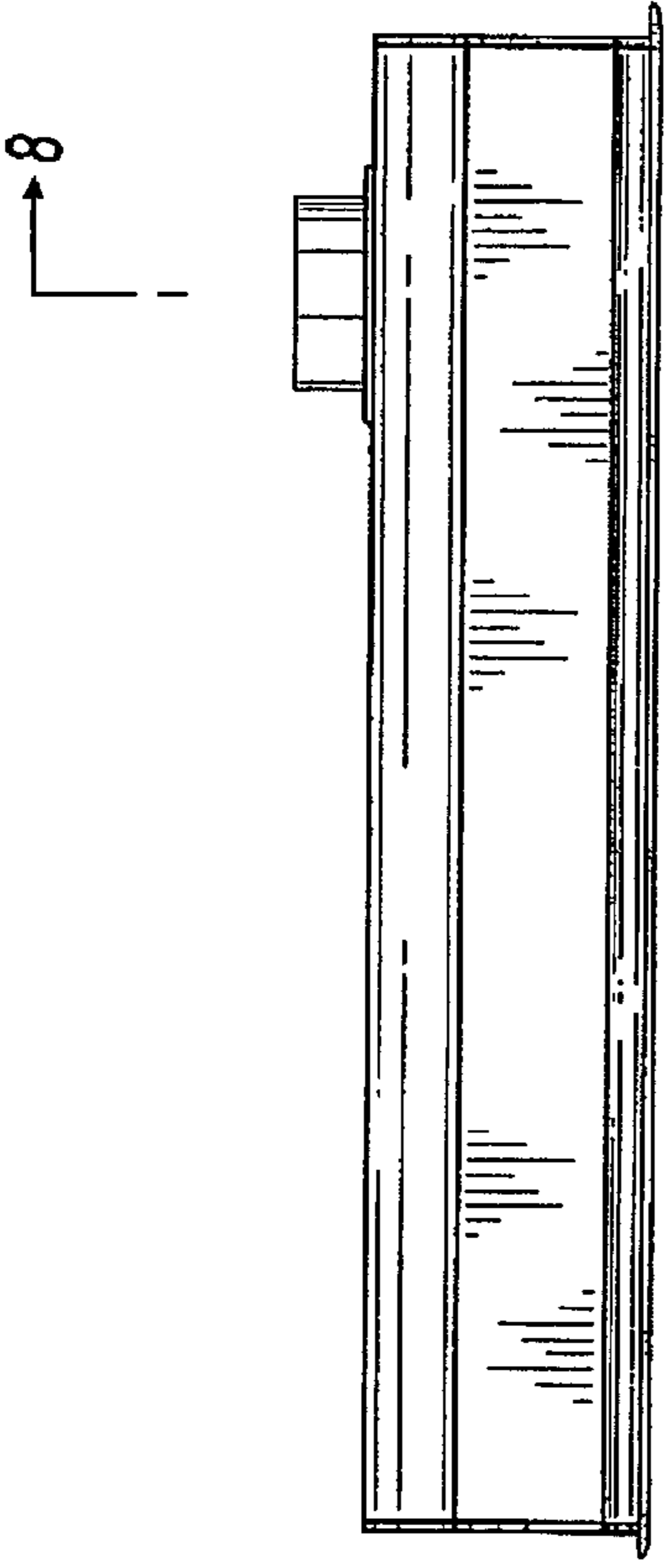
FIG. 9 is a sectional elevational view taken along line 9—9 in FIG. 6.

**1 Claim, 6 Drawing Sheets**

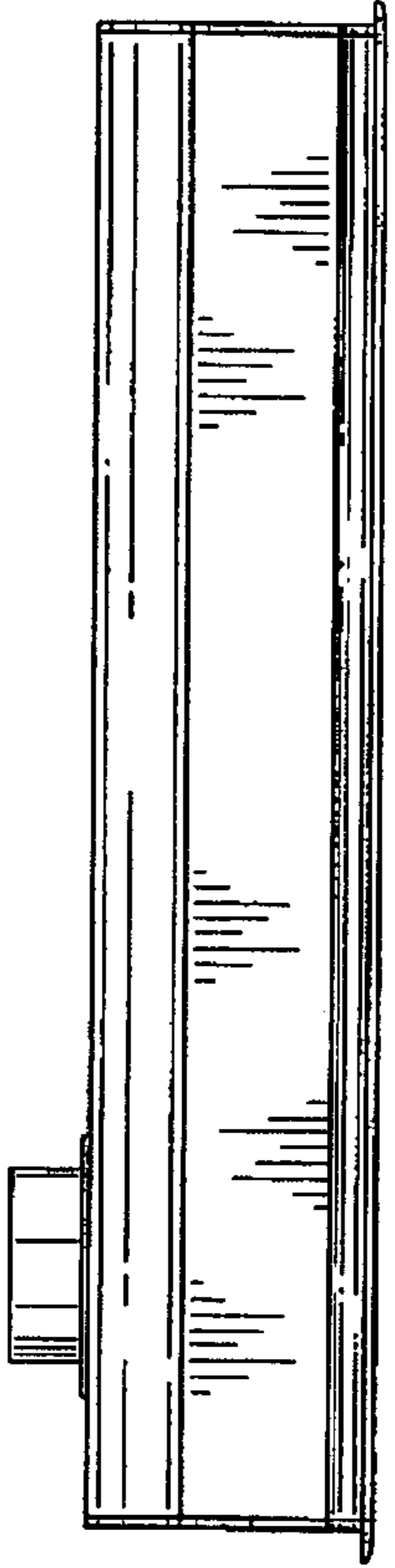




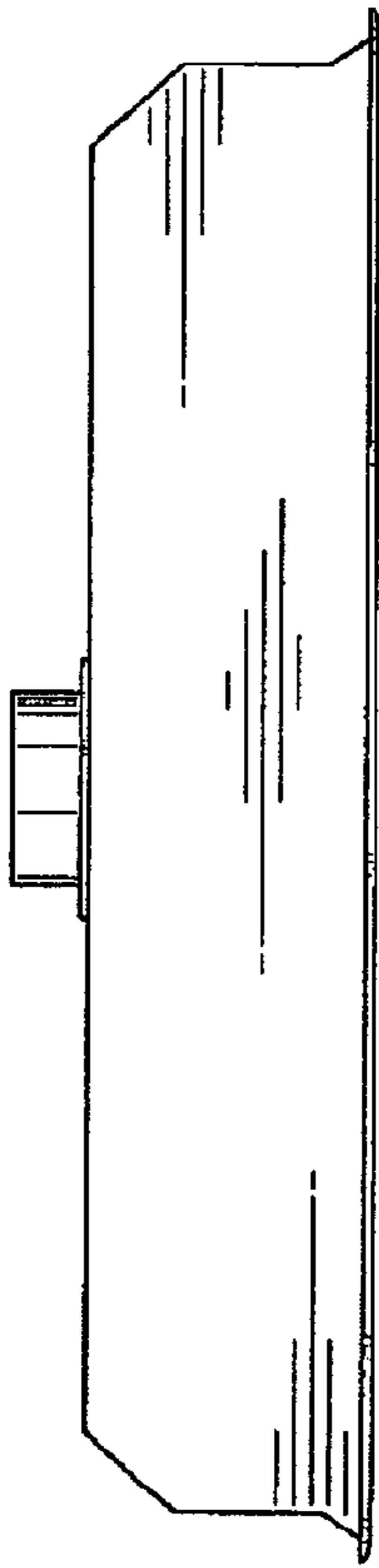
**FIG. 1**



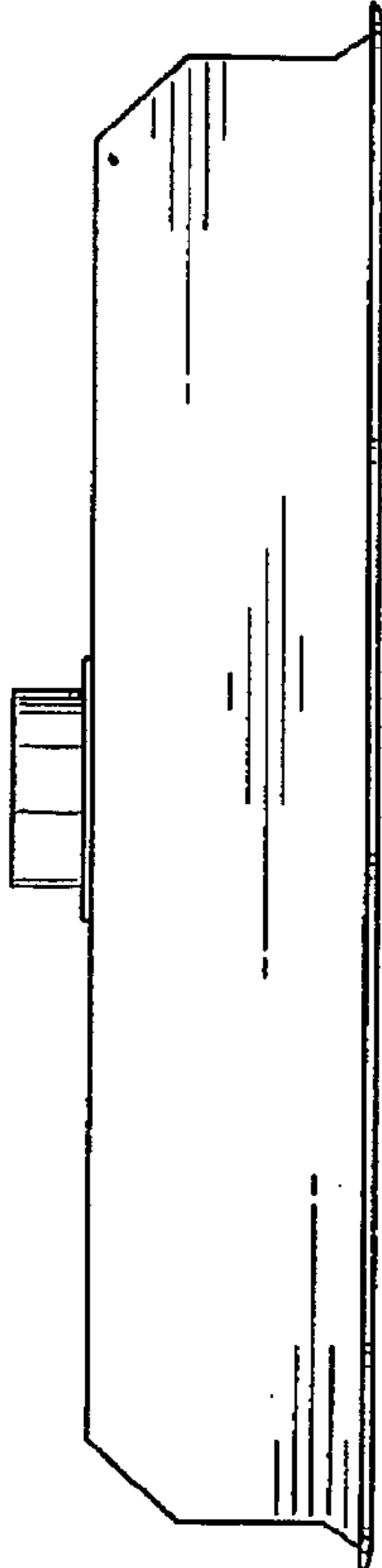
**FIG. 2**



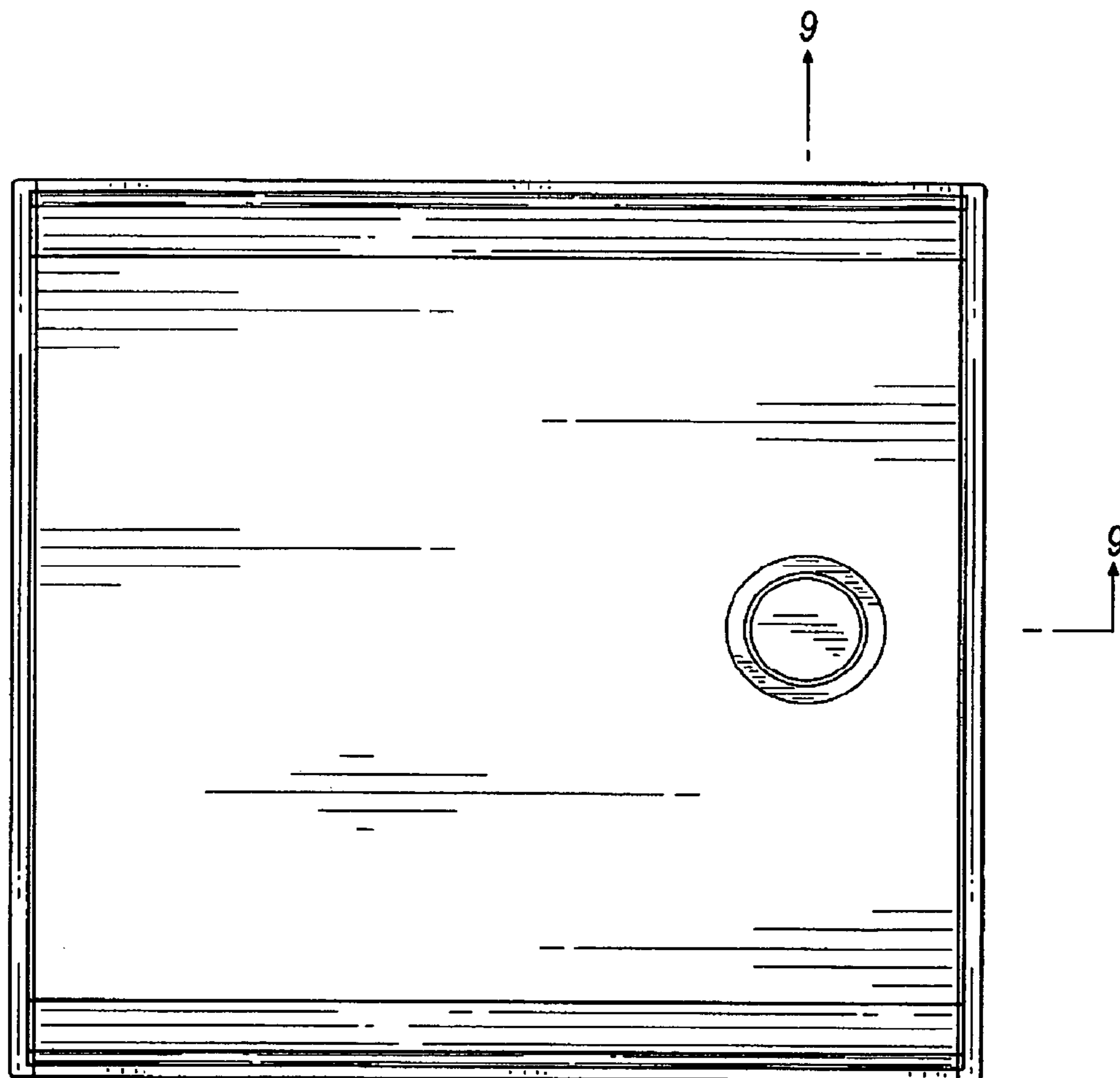
**FIG. 3**



**FIG. 4**

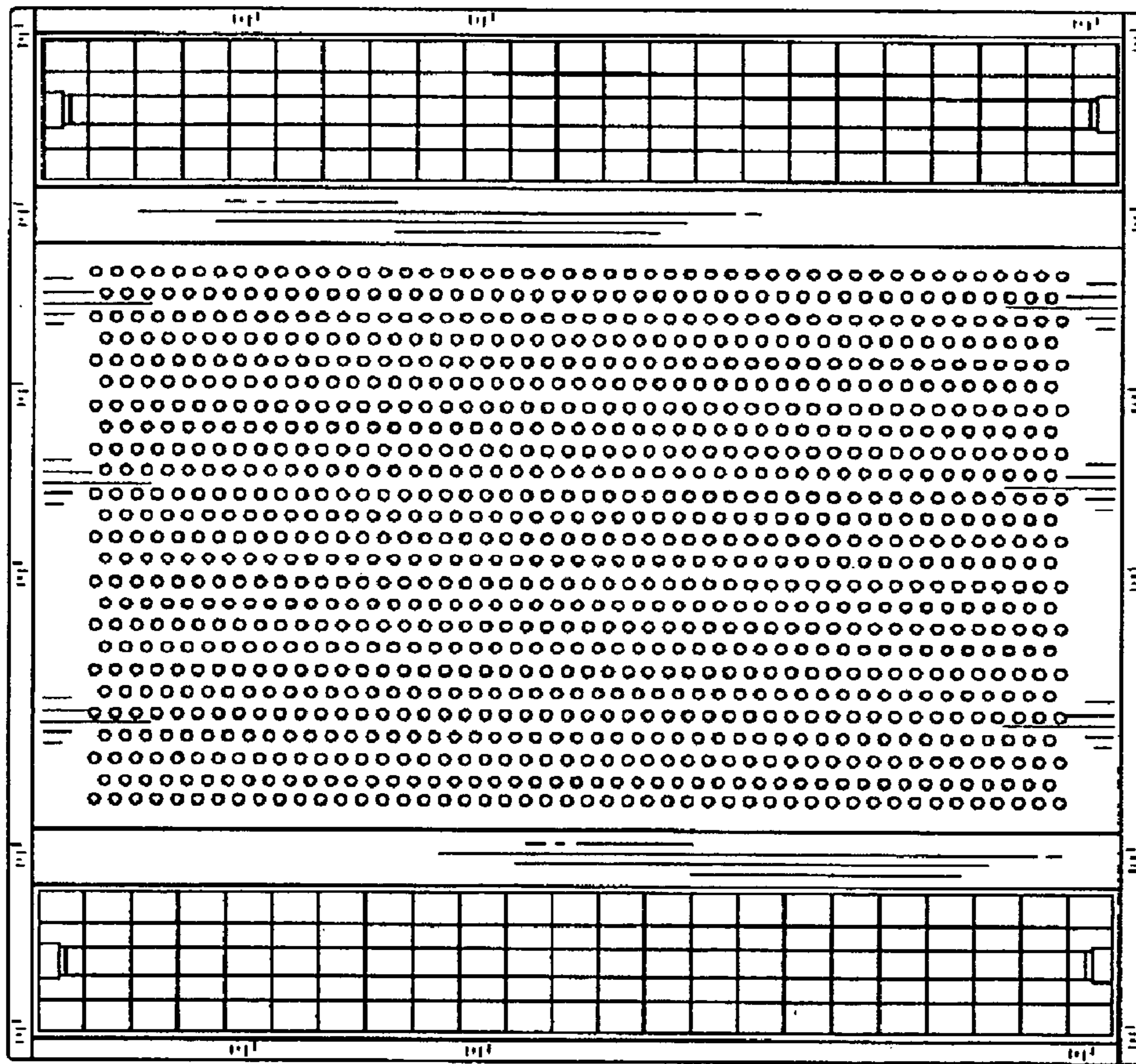


**FIG. 5**

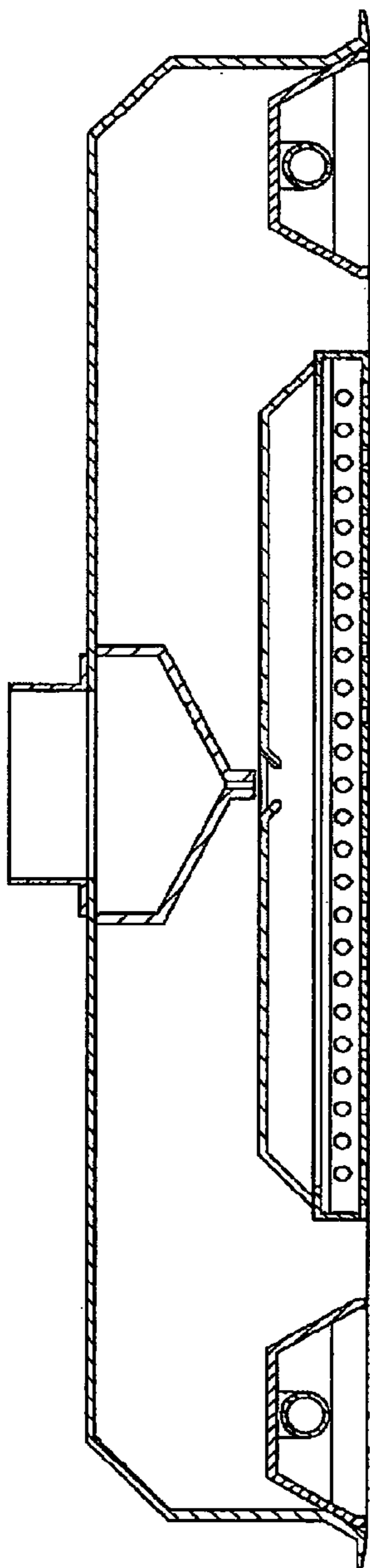


**FIG. 6**

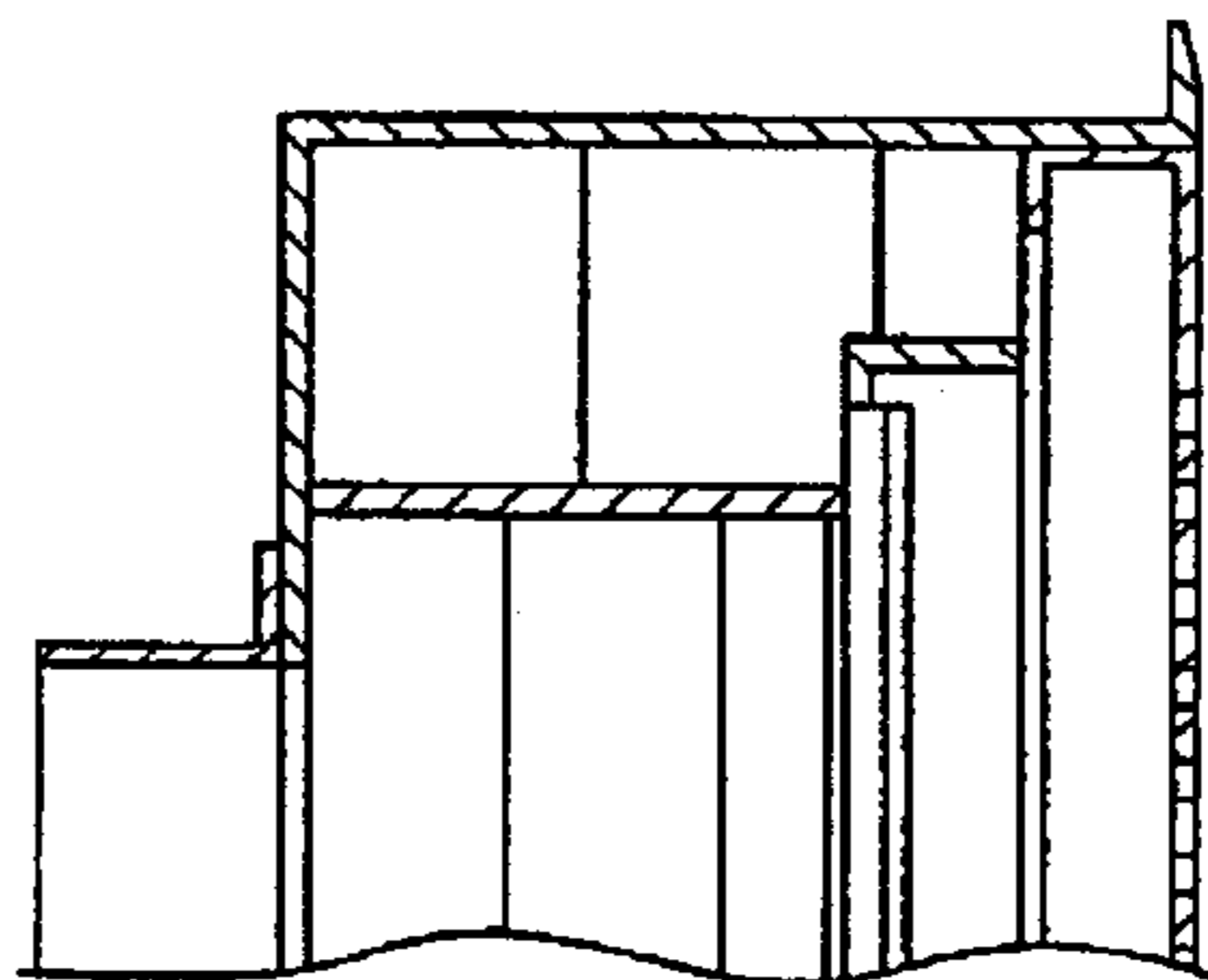




**FIG. 7**



**FIG. 8**



**FIG. 9**