



US00D618331S

(12) **United States Design Patent**
Stone

(10) **Patent No.:** **US D618,331 S**
(45) **Date of Patent:** **** Jun. 22, 2010**

(54) **ROOF EXHAUST VENT**

(75) Inventor: **Robert D. Stone**, Jacksonville, AR (US)

(73) Assignee: **Lomanco, Inc.**, Jacksonville, AR (US)

(**) Term: **14 Years**

(21) Appl. No.: **29/331,524**

(22) Filed: **Jan. 27, 2009**

(51) **LOC (9) Cl.** **23-04**

(52) **U.S. Cl.** **D23/373**

(58) **Field of Classification Search** D23/373,
D23/393; 454/237, 245, 253, 366
See application file for complete search history.

(56) **References Cited**

U.S. PATENT DOCUMENTS

D221,854 S * 9/1971 Dowdell, Jr. et al. D23/373
6,183,360 B1 * 2/2001 Luter et al. 454/366
D602,579 S * 10/2009 Stone D23/373

* cited by examiner

Primary Examiner—Lisa P Lichtenstein

(74) *Attorney, Agent, or Firm*—Joe D. Calhoun; Rashauna A. Norment

(57) **CLAIM**

The ornamental design for a roof exhaust vent, as shown and described.

DESCRIPTION

FIG. 1 depicts an isomeric perspective top view of the roof exhaust vent.

FIG. 2 depicts a top plan view thereof.

FIG. 3 depicts a bottom plan view thereof.

FIG. 4 depicts an isomeric perspective bottom plan view thereof.

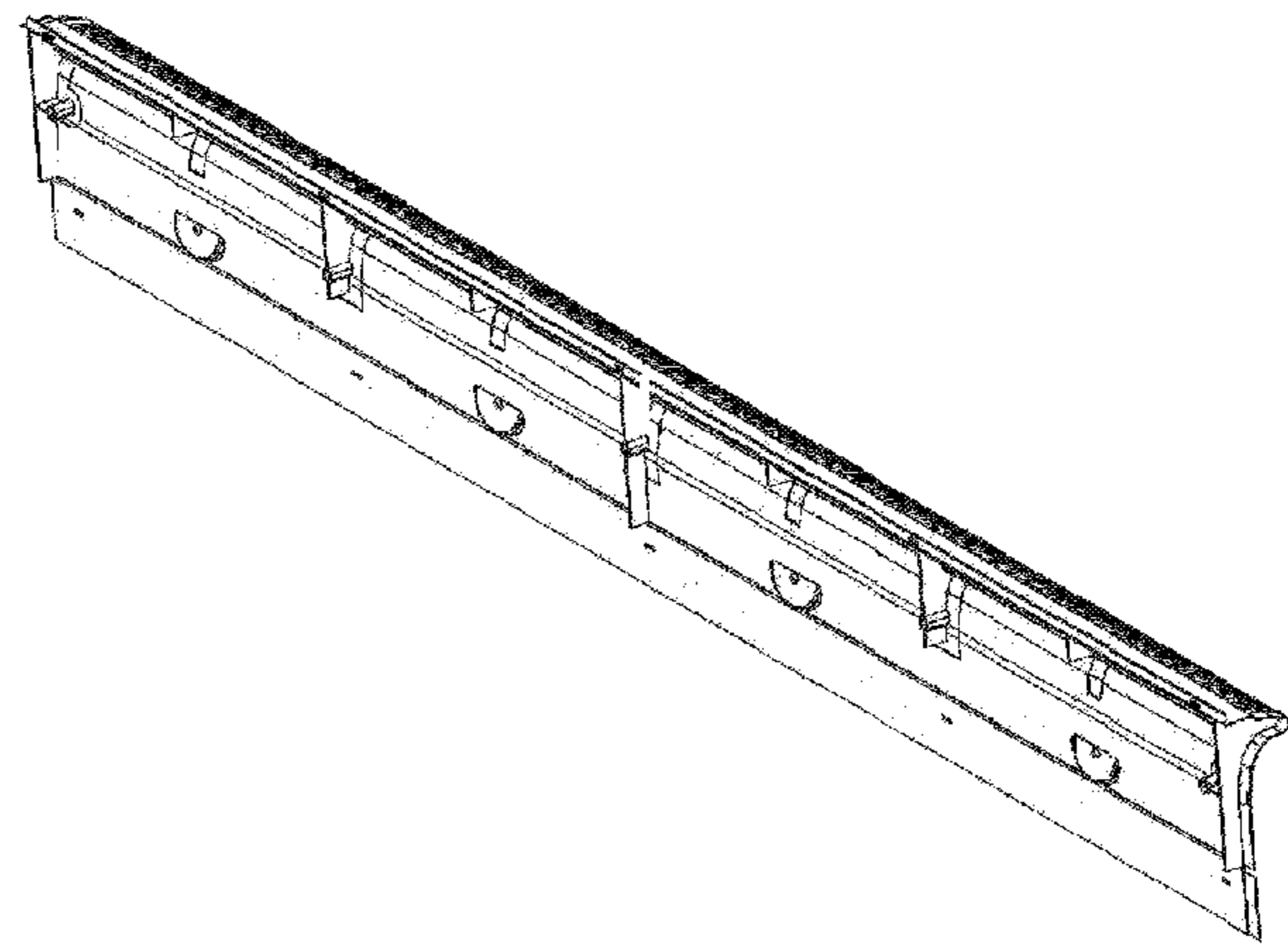
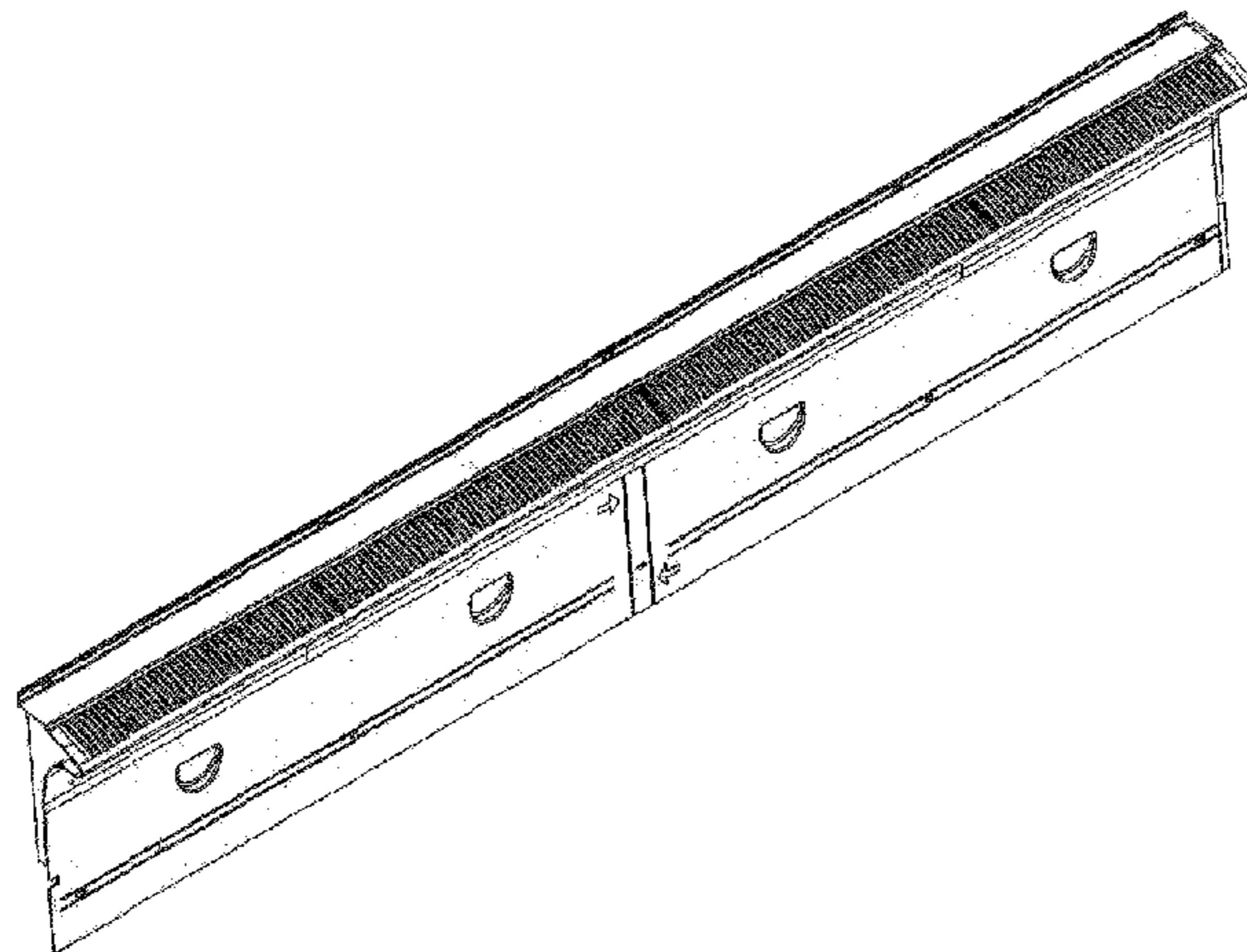
FIG. 5 depicts a front elevation view thereof.

FIG. 6 depicts a rear elevation view thereof.

FIG. 7 depicts an enlarged left side elevation view thereof; and,

FIG. 8 depicts an enlarged right side elevation view thereof.

1 Claim, 7 Drawing Sheets



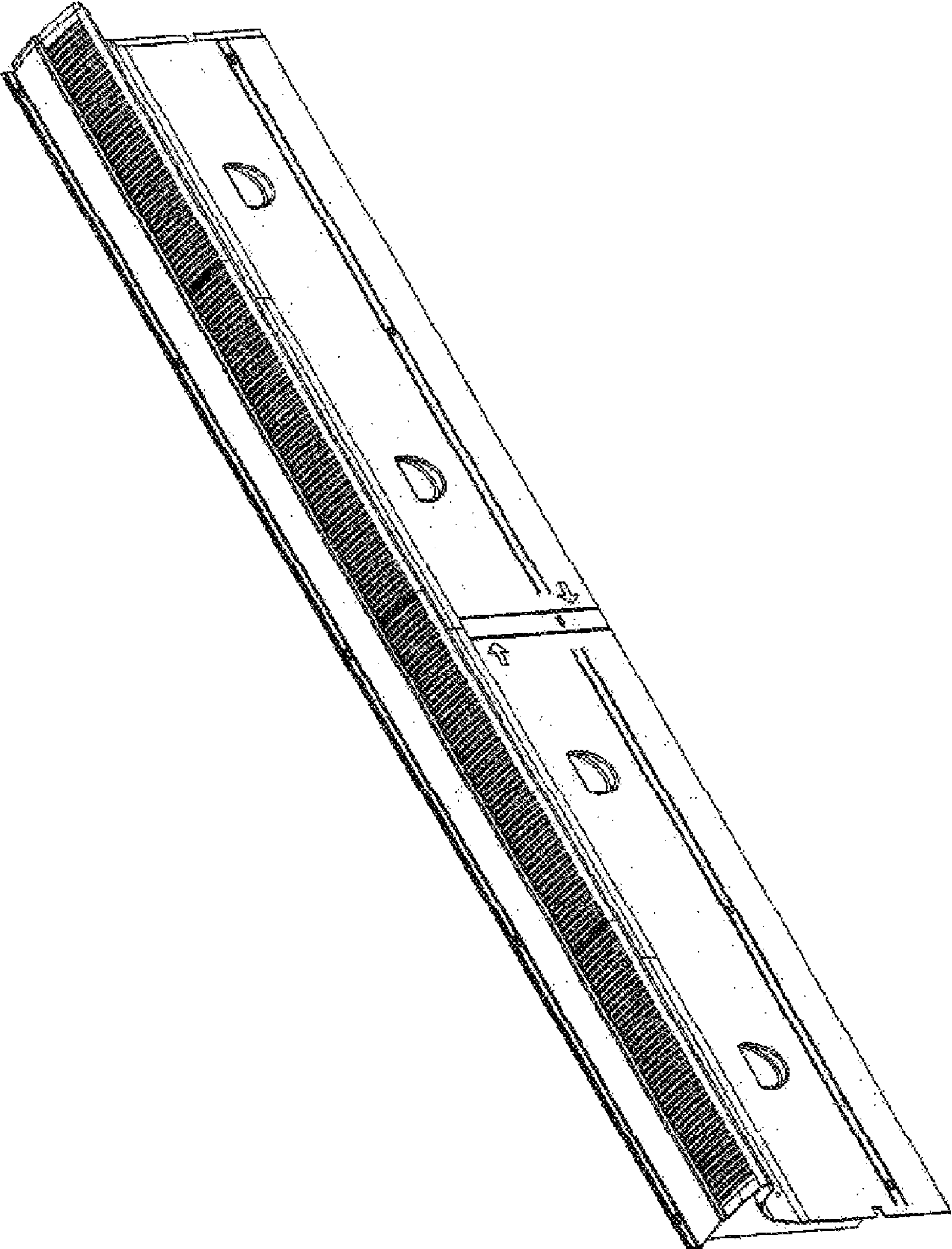


Figure 1.

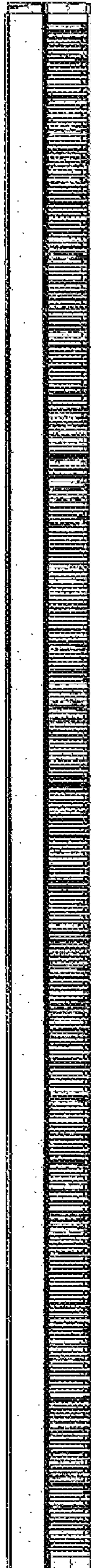


Figure 2.



Figure 3.

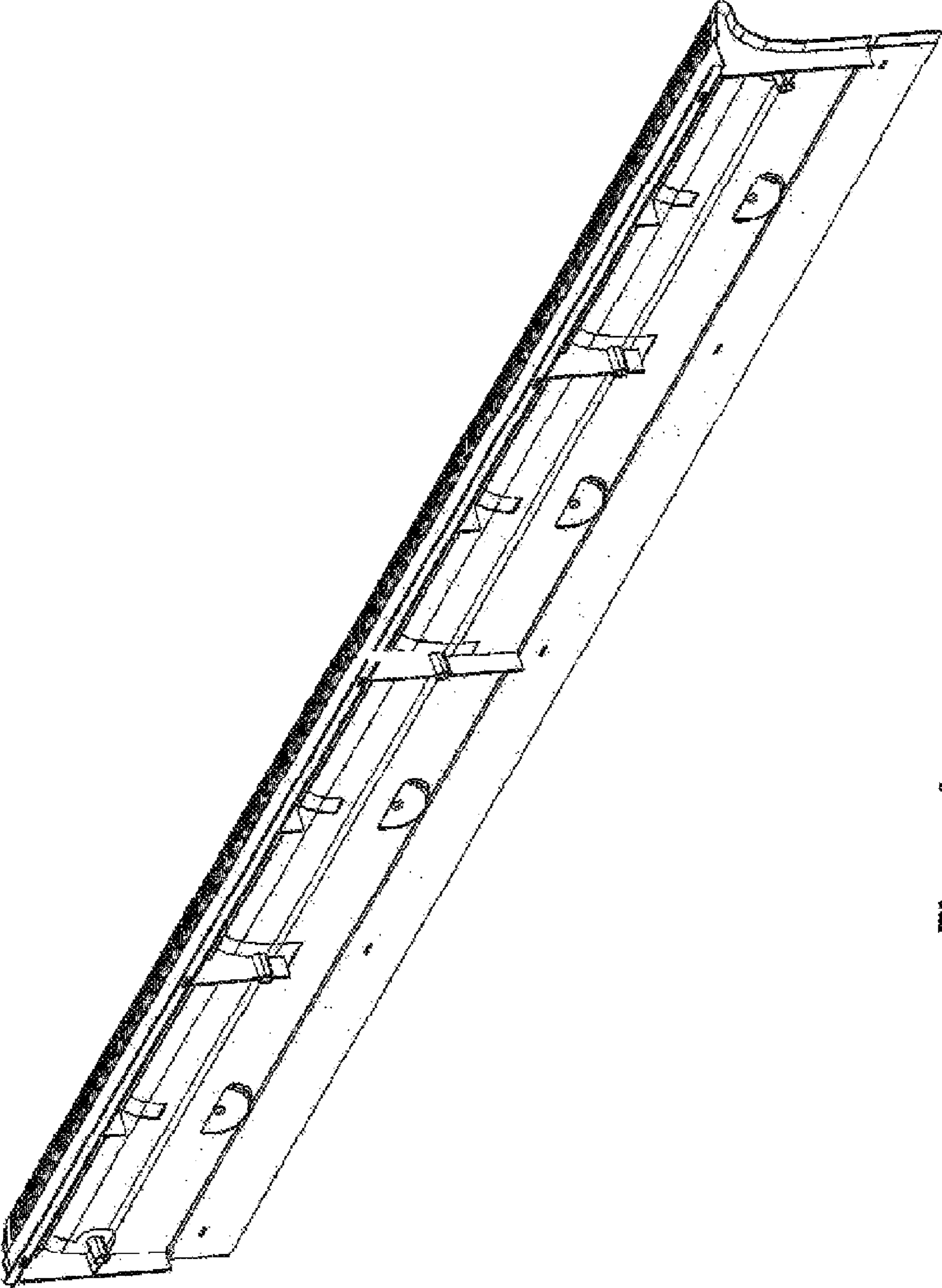


Figure 4.

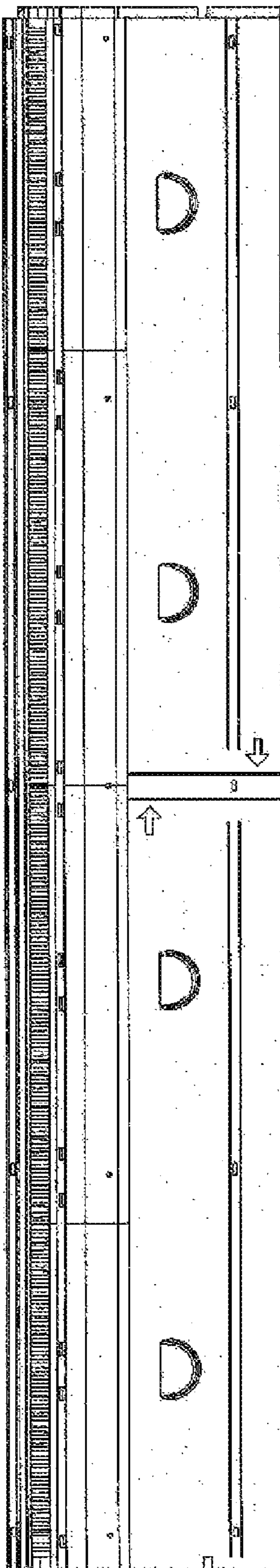


Figure 5.

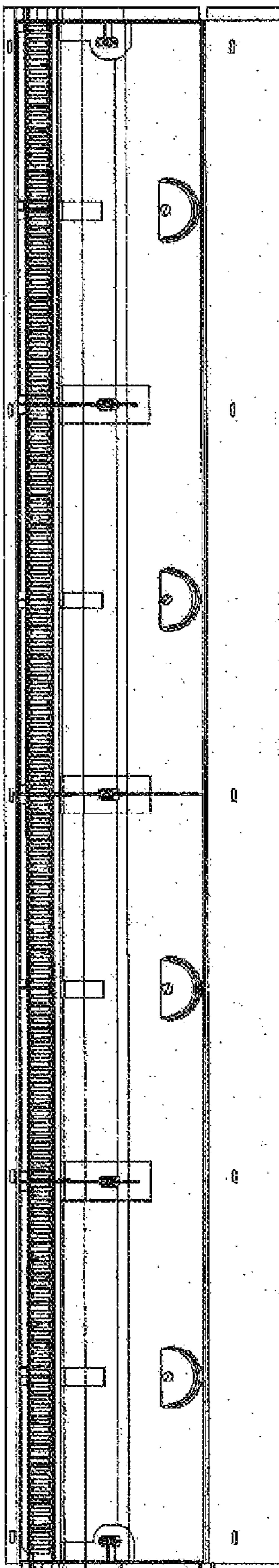


Figure 6.

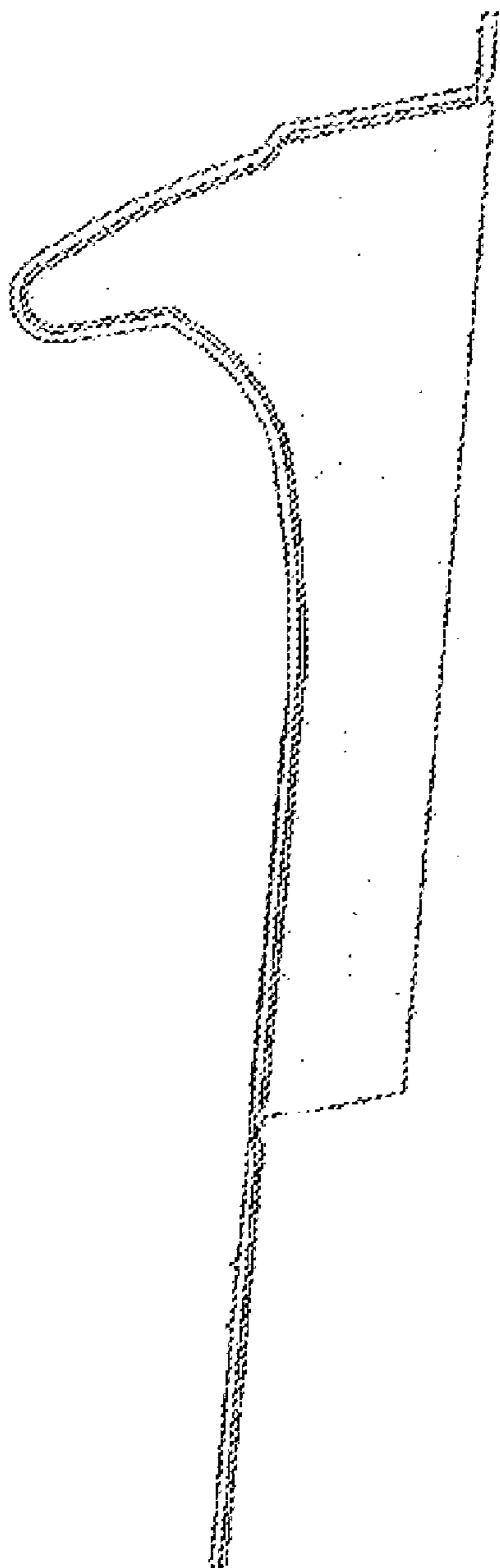


Figure 7.

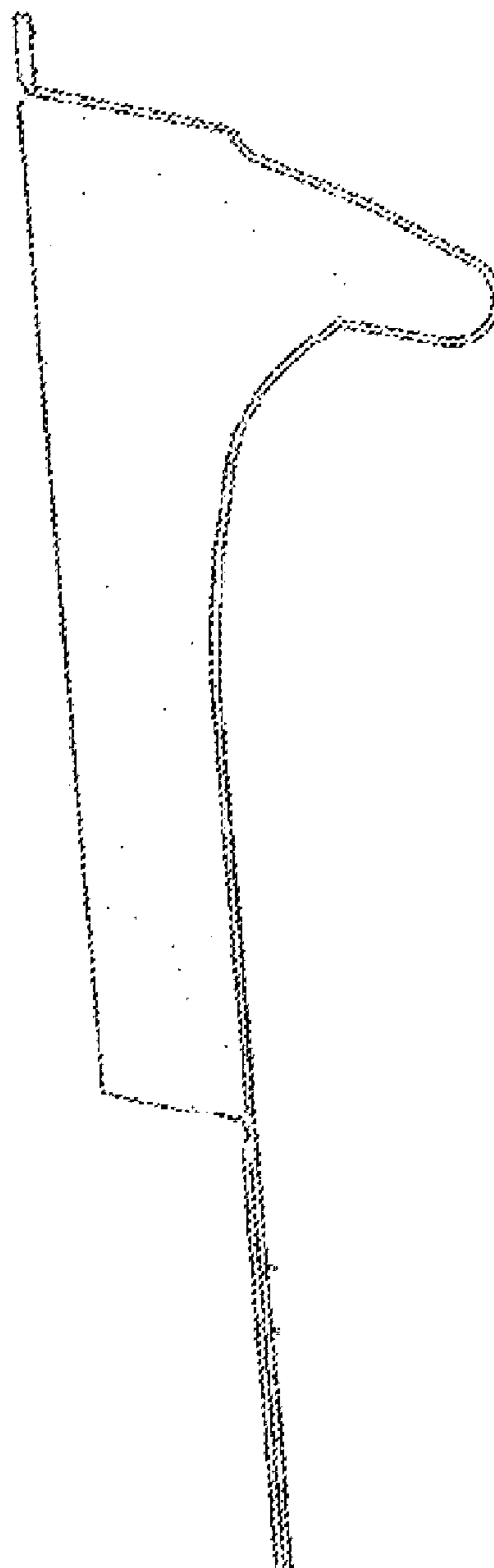


Figure 8.