



US00D618330S

(12) **United States Design Patent**  
**Wolfe**

(10) **Patent No.:** **US D618,330 S**

(45) **Date of Patent:** **\*\* Jun. 22, 2010**

(54) **CONVEYOR OVEN EXHAUST HOOD**

(75) Inventor: **Ronald D. Wolfe**, Wichita, KS (US)

(73) Assignee: **Wolfe Electric, Inc.**, Wichita, KS (US)

(\*\*) Term: **14 Years**

(21) Appl. No.: **29/350,470**

(22) Filed: **Nov. 17, 2009**

(51) **LOC (9) Cl.** ..... **23-04**

(52) **U.S. Cl.** ..... **D23/372**

(58) **Field of Classification Search** ..... D23/372,  
D23/371; 126/299 R, 299 D

See application file for complete search history.

(56) **References Cited**

U.S. PATENT DOCUMENTS

4,467,782 A *	8/1984	Russell	.....	126/299 D
D315,204 S *	3/1991	Fleming et al.	.....	D23/372
D390,648 S *	2/1998	Woodall, III	.....	D23/372

\* cited by examiner

*Primary Examiner*—Lisa P Lichtenstein

(74) *Attorney, Agent, or Firm*—Kenneth H. Jack; Davis & Jack, L.L.C.

(57) **CLAIM**

The ornamental design for the conveyor oven exhaust hood, as shown and described.

**DESCRIPTION**

FIG. 1 presents a perspective view of front, side, and lower edge surfaces of the instant inventively designed conveyor oven exhaust hood; and,

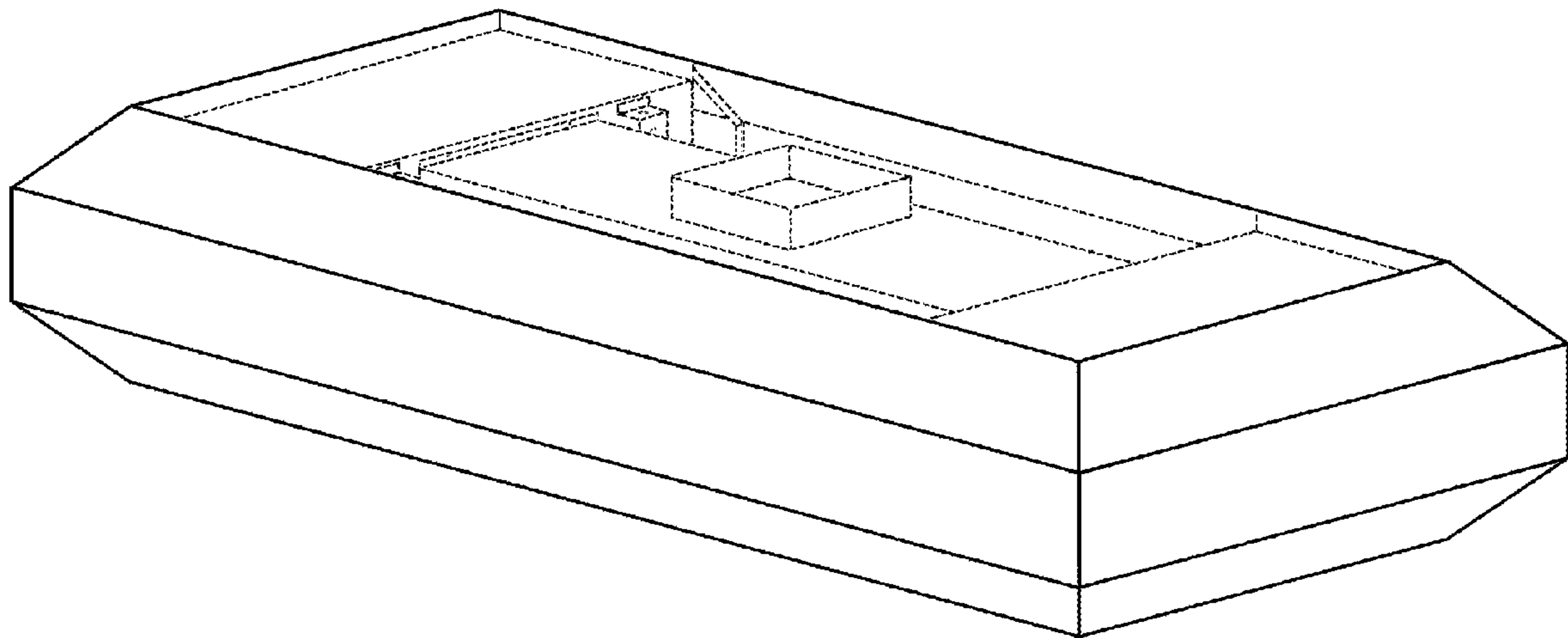
FIG. 2 presents a perspective view of rear, opposite side, and opposite lower edge surfaces of the instant inventively designed conveyor oven exhaust hood.

The broken line showing of the internal air conduit structures of the conveyor oven exhaust hood is included for the purpose of illustrating environmental structure and forms no part of the claimed design.

The intended use of the article in which the design is embodied is the protection of commercial kitchen environments from emissions of smoke and cooking gasses.

A characteristic feature of the instant inventively designed conveyor oven exhaust hood comprises its multiply faceted lateral peripheral walls.

**1 Claim, 2 Drawing Sheets**



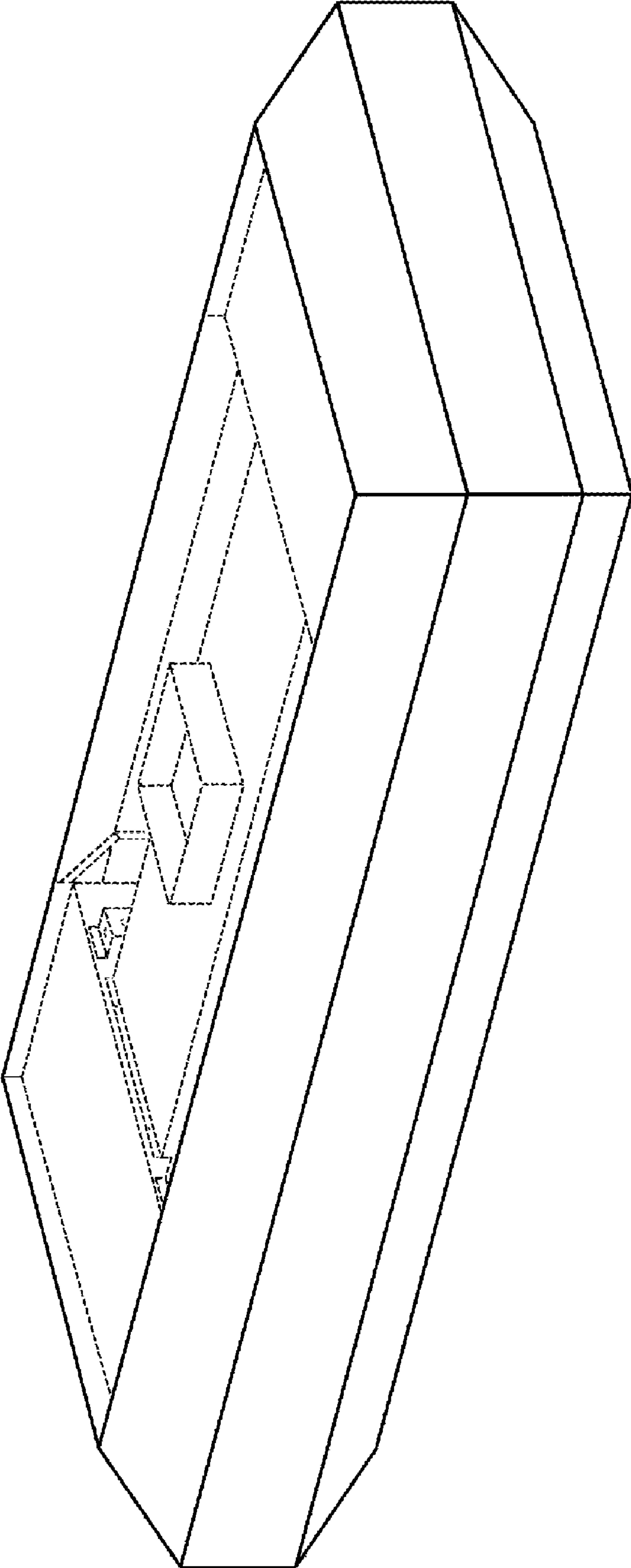


Figure 1

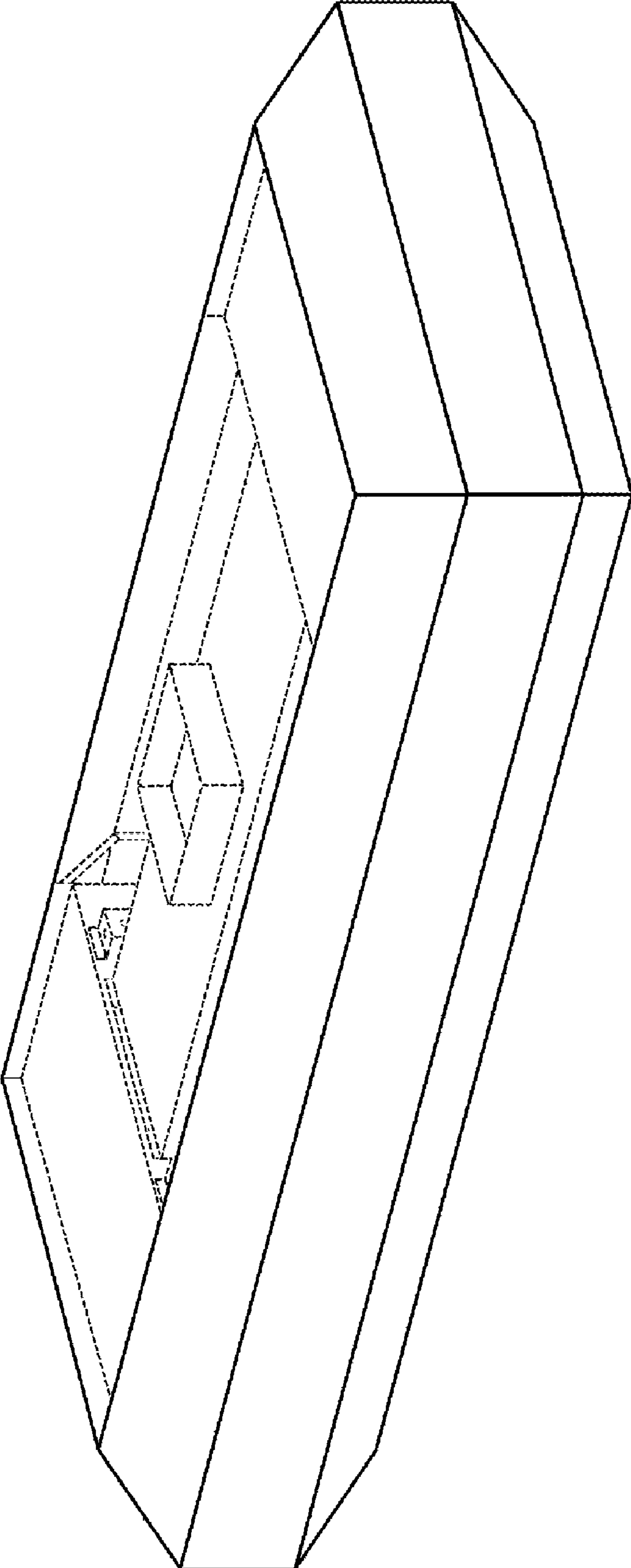


Figure 2