



US00D618329S

(12) **United States Design Patent**
Koenig et al.

(10) **Patent No.:** **US D618,329 S**
(45) **Date of Patent:** **** Jun. 22, 2010**

(54) **AIR FRESHENING DEVICE**

(75) Inventors: **John William Koenig**, Cincinnati, OH (US); **Dana Paul Gruenbacher**, Fairfield, OH (US); **Bryan Gabriel Comstock**, Mason, OH (US); **Ryan Patrick Dullea**, Cincinnati, OH (US); **Walter Sordo**, Trento (IT); **Danilo Rossi**, Trento (IT); **Rainer Bernhard Teufel**, Worthington, OH (US); **Richard Lee Lane**, Columbus, OH (US)

(73) Assignee: **The Procter & Gamble Company**, Cincinnati, OH (US)

(**) Term: **14 Years**

(21) Appl. No.: **29/341,622**

(22) Filed: **Aug. 10, 2009**

(51) **LOC (9) Cl.** **28-99**

(52) **U.S. Cl.** **D23/368**

(58) **Field of Classification Search** D23/355-369; D28/5, 6; 261/DIG. 17, DIG. 42, DIG. 65, 261/DIG. 88, DIG. 89; 392/386, 390, 391, 392/392, 394, 395, 389, 393; 239/34, 35, 239/43-45, 53, 56, 57, 60, 326, 42, 50, 55

See application file for complete search history.

(56) **References Cited**

U.S. PATENT DOCUMENTS

D334,975	S	*	4/1993	Bunce et al.	D23/366
5,478,505	A	*	12/1995	McElfresh et al.	261/30
5,527,493	A	*	6/1996	McElfresh et al.	261/30
D373,626	S	*	9/1996	Dente et al.	D23/366
D403,420	S	*	12/1998	Vullion	D23/367
D424,677	S	*	5/2000	Chen	D23/366
6,148,143	A	*	11/2000	Steinel, Jr.	392/390
D489,123	S	*	4/2004	Basaganas Millan	D23/366
D491,257	S	*	6/2004	Picken, Jr.	D23/366
D532,893	S	*	11/2006	Wu	D23/366
D544,594	S	*	6/2007	Zobebe	D23/366
D544,953	S	*	6/2007	Kee	D23/368
D550,345	S	*	9/2007	Weggelaar	D23/366

D551,333	S	*	9/2007	Wu	D23/366
D553,233	S	*	10/2007	Hatch et al.	D23/366
D555,778	S	*	11/2007	Fellows et al.	D23/366
D561,319	S	*	2/2008	Weggelaar	D23/366
D565,164	S	*	3/2008	Duston et al.	D23/366
D585,129	S	*	1/2009	Huang	D23/366

OTHER PUBLICATIONS

Refresh your car! Odor Eliminating auto vent stick, HandStands, 675 W 14800, S Bluffdale, UT 84065.

Refresh your car! Odor Eliminating scented oil, HandStands, 675 W 14800, S Bluffdale, UT 84065.

Car-ma Aromatherapy vent stick, HandStands, 675 W 14800, S Bluffdale, UT 84065.

Auto expressions odor Out vent odor Neutralizer, distributed by SOPUS Products, 609 Science Drive, Moorpark, CA 93065.

Refresh your day-Air Freshners for your home, car, and office. <http://www.refreshyourday.com/products.php> HandStands, 675 W 14800, S Bluffdale, UT 84065.

Autorexpressions air care vent-it vent stix, <http://www.autoexpressions.com/air-care/vent-it/vent-stix/cherry> SOPUS Products, 609 Science Drive, Moorpark, CA 93065.

Scentportable Clip & Go Fragrance Unit, Slatkin & Co., 610 Broadway Ste 4, New York, NY 10012.

Off! Clip-On Mosquito Repellent, <http://offprotects.com/clip-on-mosquito-repellent/> SC Johnson, 1525 Howe Street, Racine, Wisconsin 53403-5011.

U.S. Appl. No. 29/351,724, filed Dec. 10, 2009, Koenig et al.

U.S. Appl. No. 29/355,934, filed Feb. 17, 2010, Koenig et al.

* cited by examiner

Primary Examiner—Sandra Snapp

(74) *Attorney, Agent, or Firm*—Julia A. Glazer; Leonard W. Lewis; Steven W. Miller

(57) **CLAIM**

The ornamental design for an air freshening device, as shown and described.

DESCRIPTION

FIG. 1 is a perspective view of a first embodiment of an air freshening device having a front dome with holes therein and the back element in a downward position.

FIG. 2 is a front view of the air freshening device of FIG. 1.

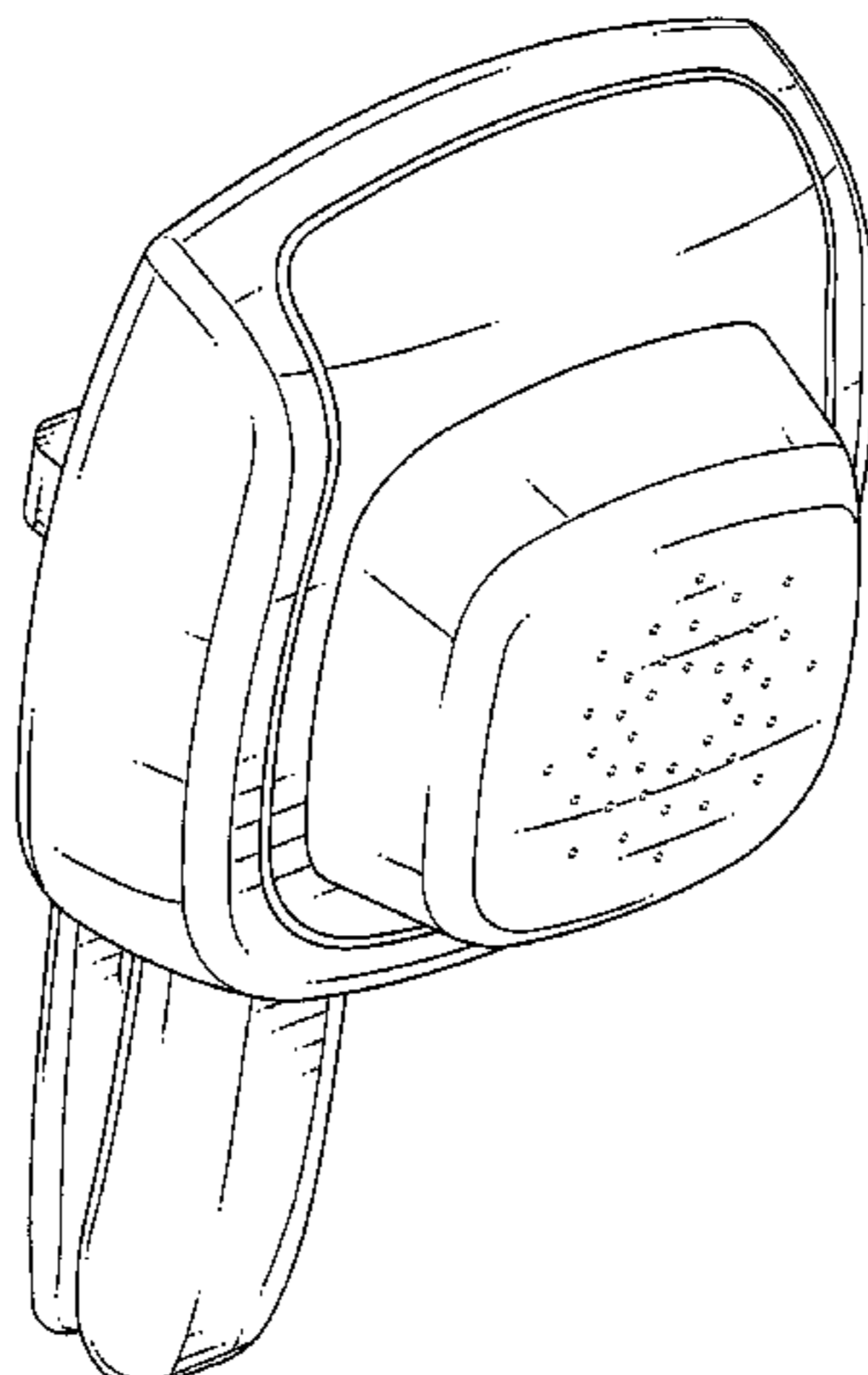


FIG. **3** is a right side view of the air freshening device of FIG. **1**.

FIG. **4** is a left side view of the air freshening device of FIG. **1**.

FIG. **5** is a back view of the air freshening device of FIG. **1**.

FIG. **6** is a top view of the air freshening device of FIG. **1**.

FIG. **7** is a bottom view of the air freshening device of FIG. **1**.

FIG. **8** is a perspective view of the second embodiment of the air freshening device having a front dome without holes therein and the back element in a downward position.

FIG. **9** is a front view of the air freshening device of FIG. **8**.

FIG. **10** is a right side view of the air freshening device of FIG. **8**.

FIG. **11** is a left side view of the air freshening device of FIG. **8**.

FIG. **12** is a back view of the air freshening device of FIG. **8**.

FIG. **13** is a top view of the air freshening device of FIG. **8**.

FIG. **14** is a bottom view of the air freshening device of FIG. **8**.

FIG. **15** is a perspective view of a third embodiment of the air freshening device with a front dome without holes therein and the back element in an upward position.

FIG. **16** is a front view of the air freshening device of FIG. **15**.

FIG. **17** is a right side view of the air freshening device of FIG. **15**.

FIG. **18** is a left side view of the air freshening device of FIG. **15**.

FIG. **19** is a back view of the air freshening device of FIG. **15**.

FIG. **20** is a top view of the air freshening device of FIG. **15**.

FIG. **21** is a bottom view of the air freshening device of FIG. **15**.

FIG. **22** is a perspective view of a fourth embodiment of the air freshening device without a front dome without and the back element in a downward position.

FIG. **23** is a front view of the air freshening device of FIG. **22**.

FIG. **24** is a right side view of the air freshening device of FIG. **22**.

FIG. **25** is a left side view of the air freshening device of FIG. **22**.

FIG. **26** is a back view of the air freshening device of FIG. **22**.

FIG. **27** is a top view of the air freshening device of FIG. **22**; and,

FIG. **28** is a bottom view of the air freshening device of FIG. **22**.

The broken line showing of environmental structure in the figures is for illustrative purposes only and forms no part of the claimed design.

1 Claim, 24 Drawing Sheets

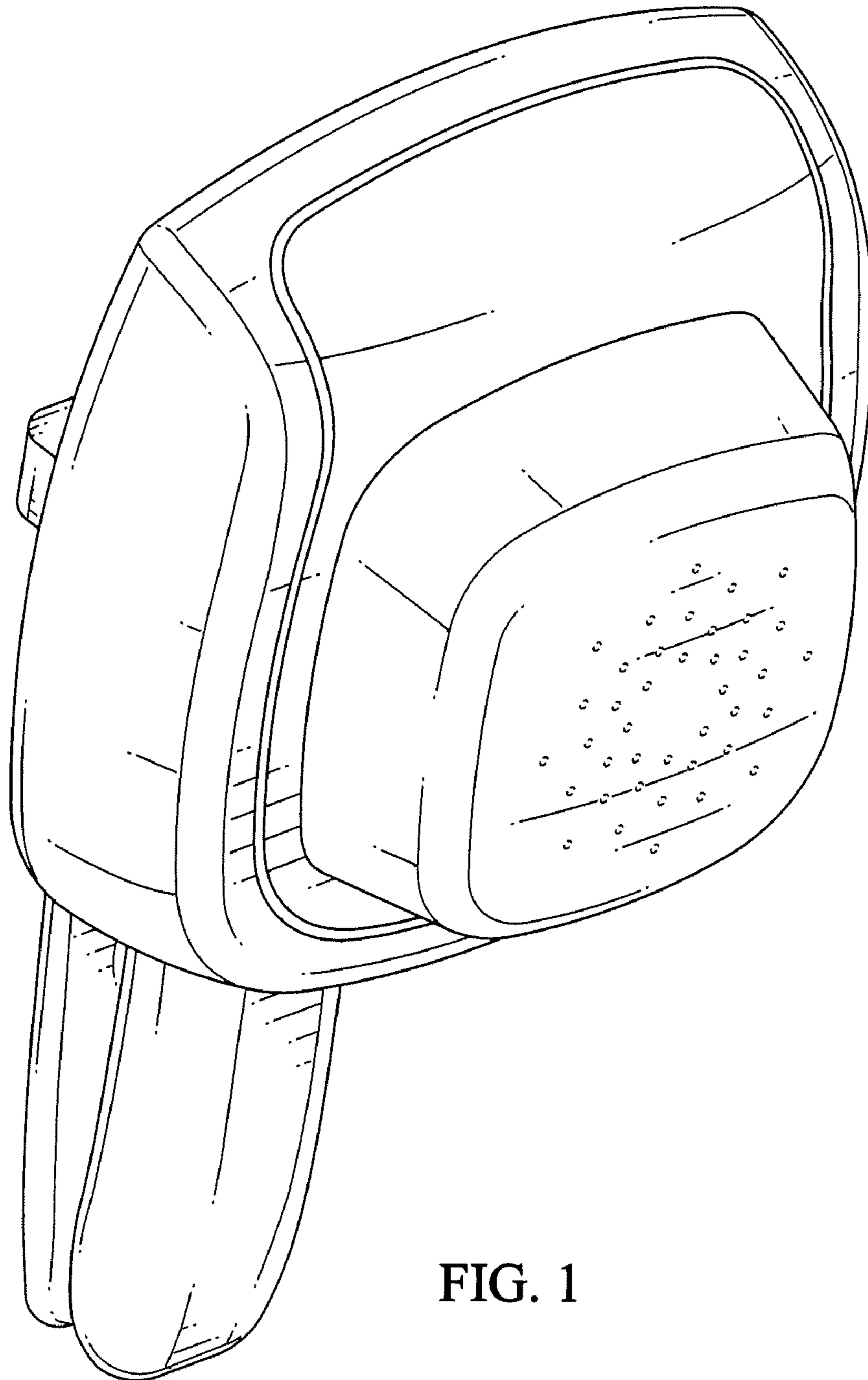


FIG. 1

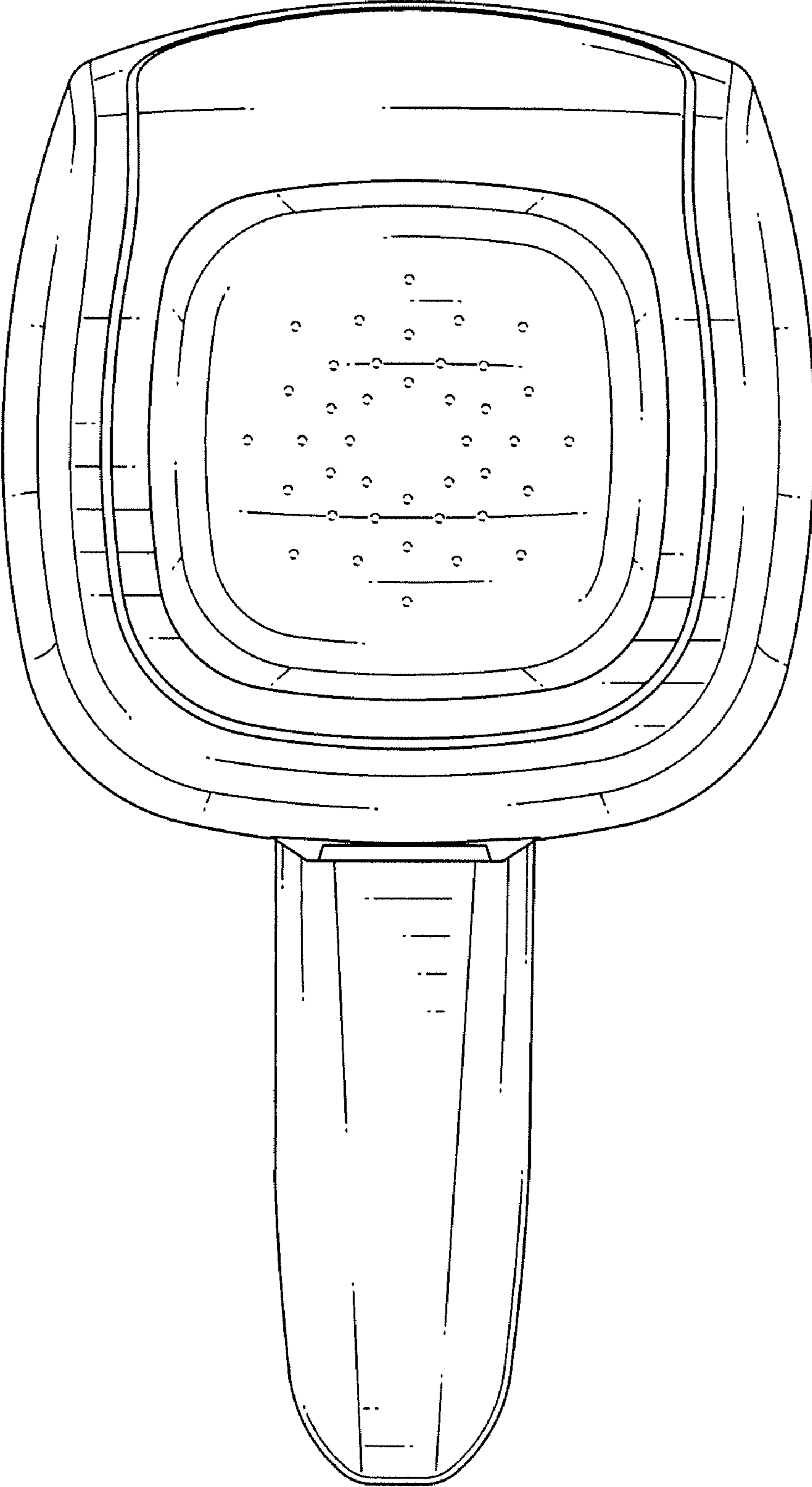


FIG. 2

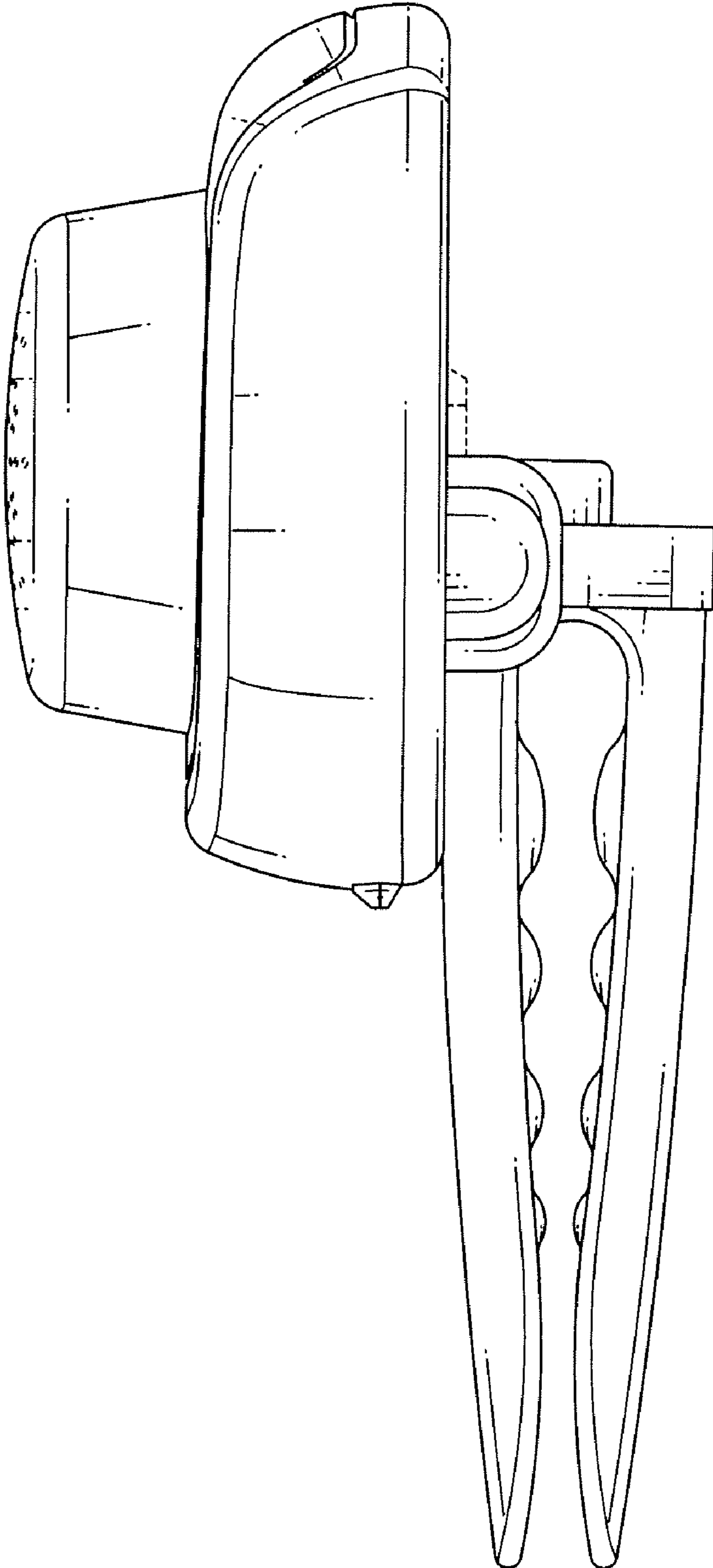


FIG. 3

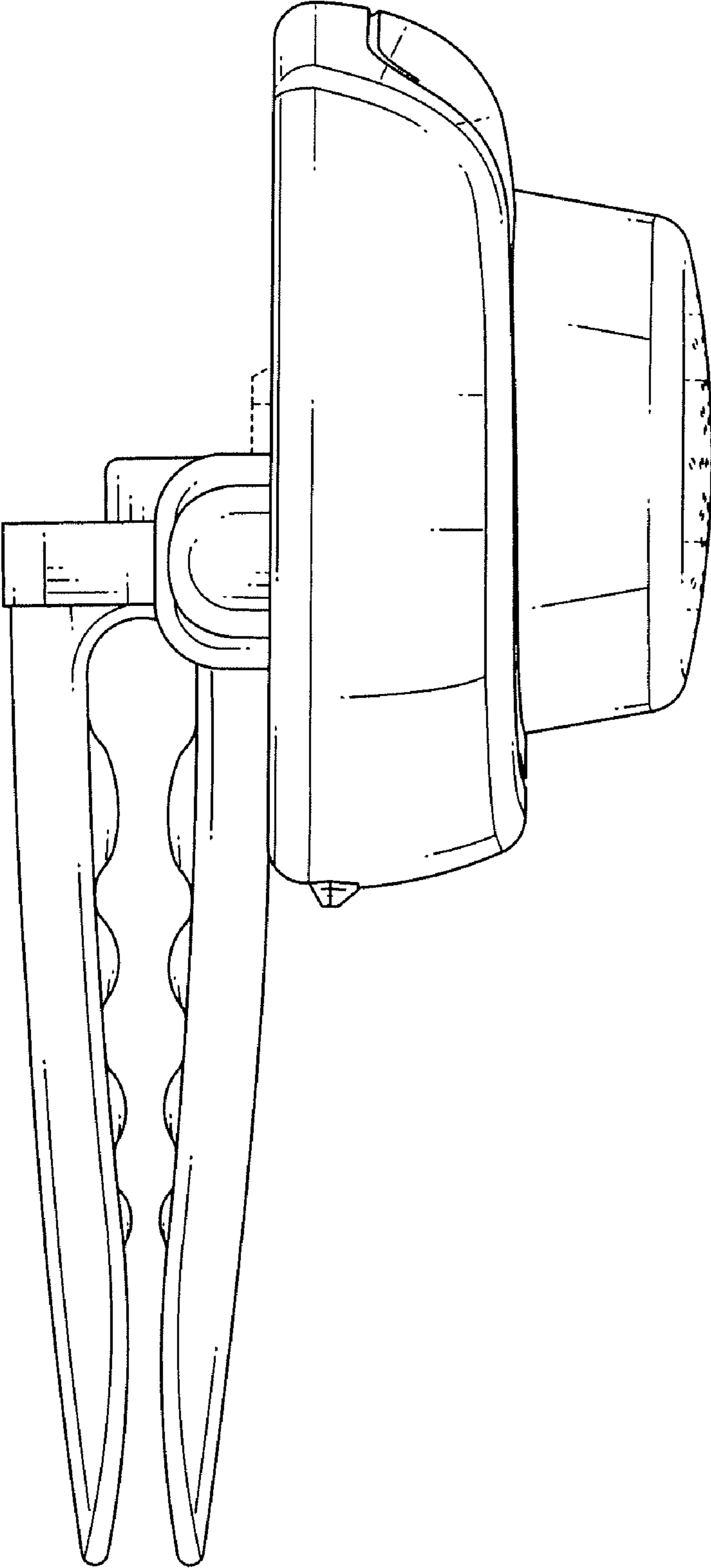


FIG. 4

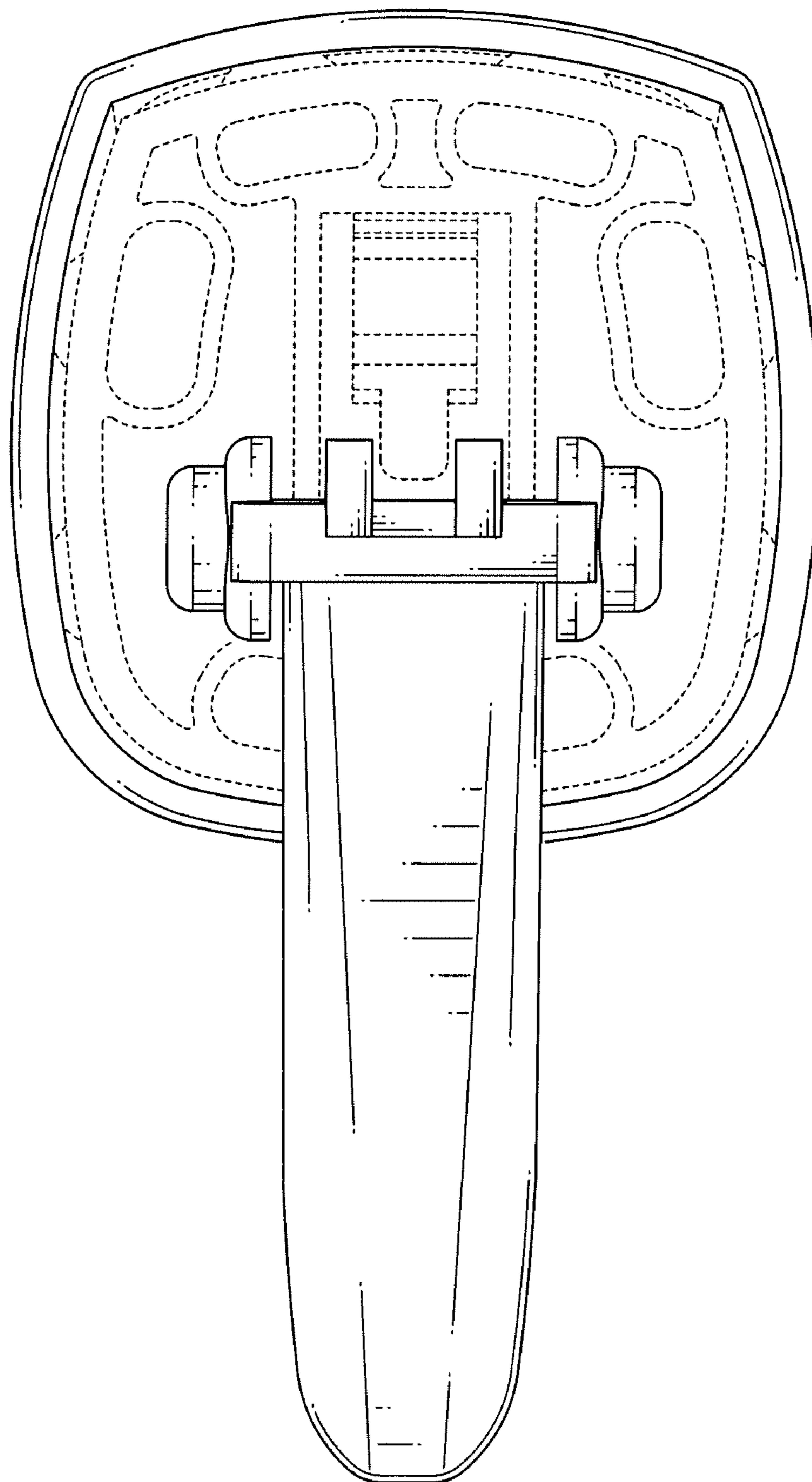


FIG. 5

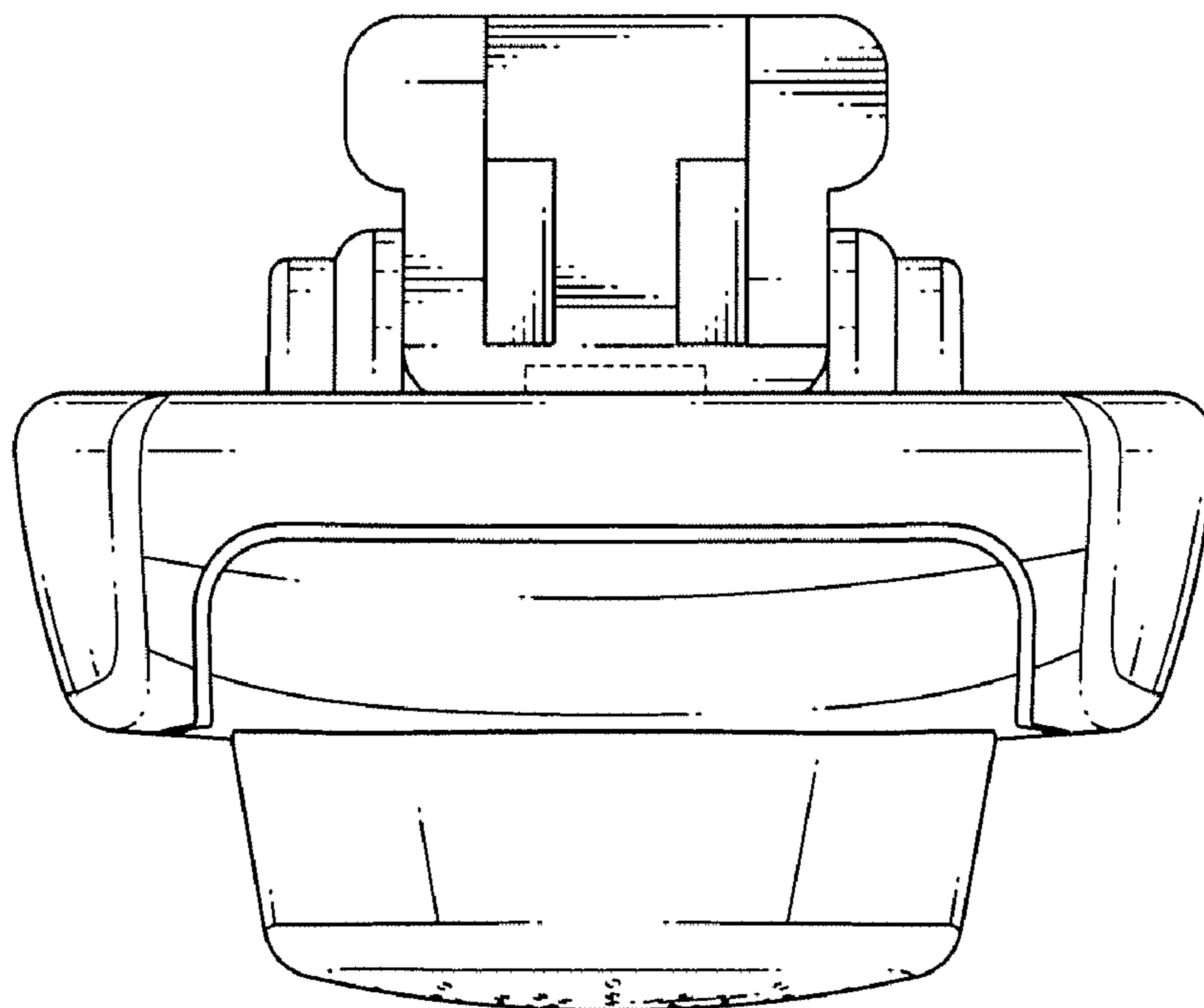


FIG. 6

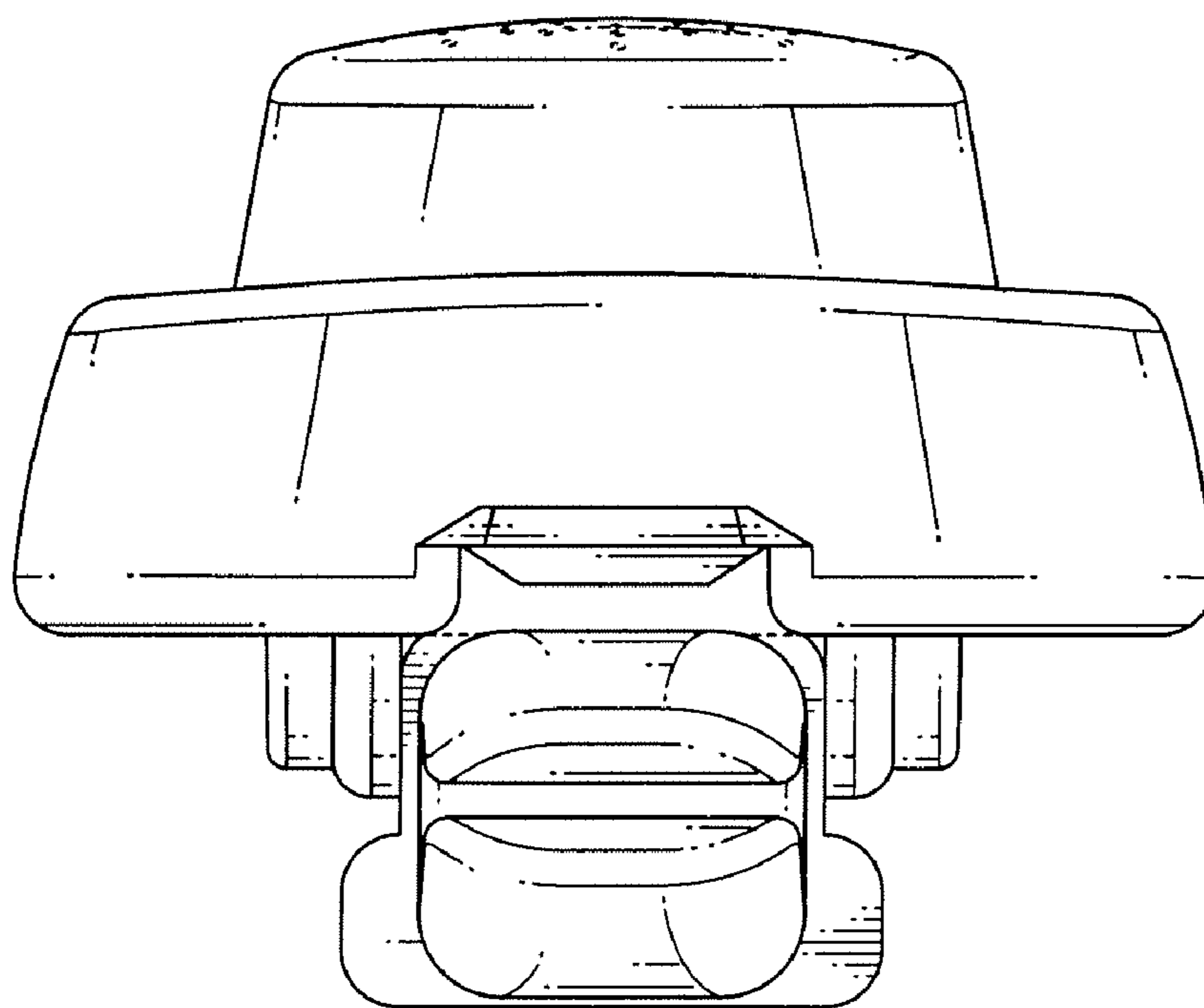


FIG. 7

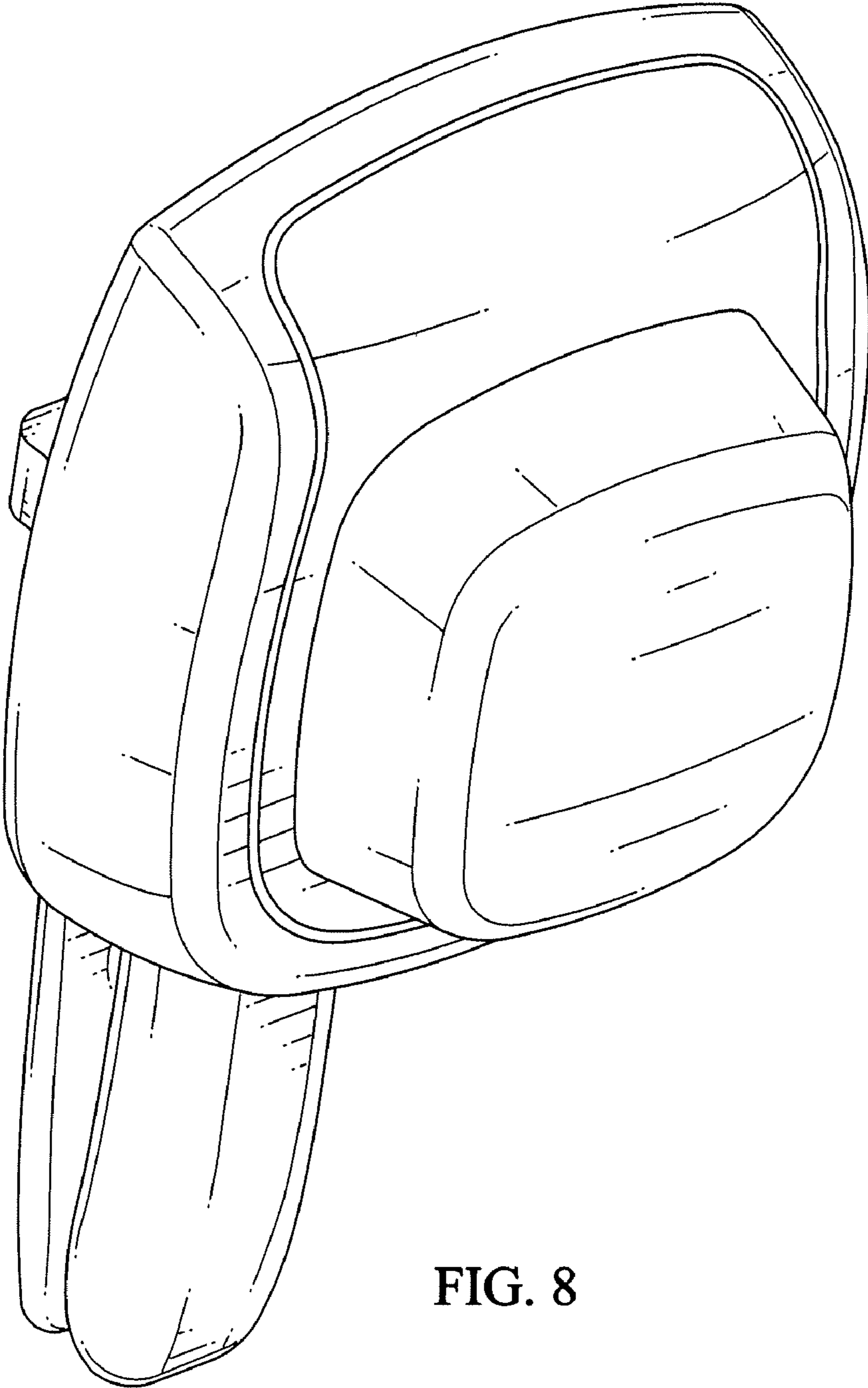


FIG. 8

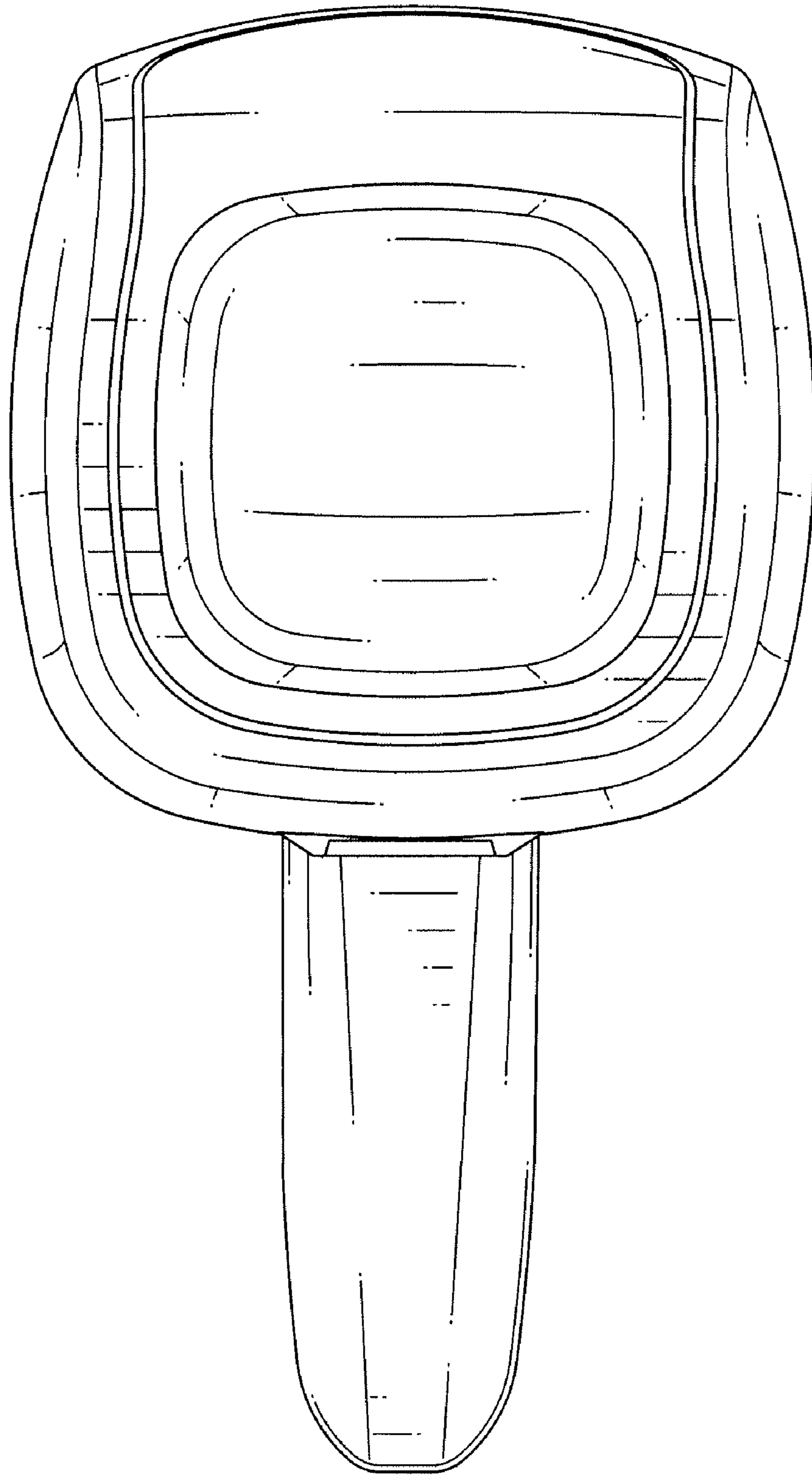


FIG. 9

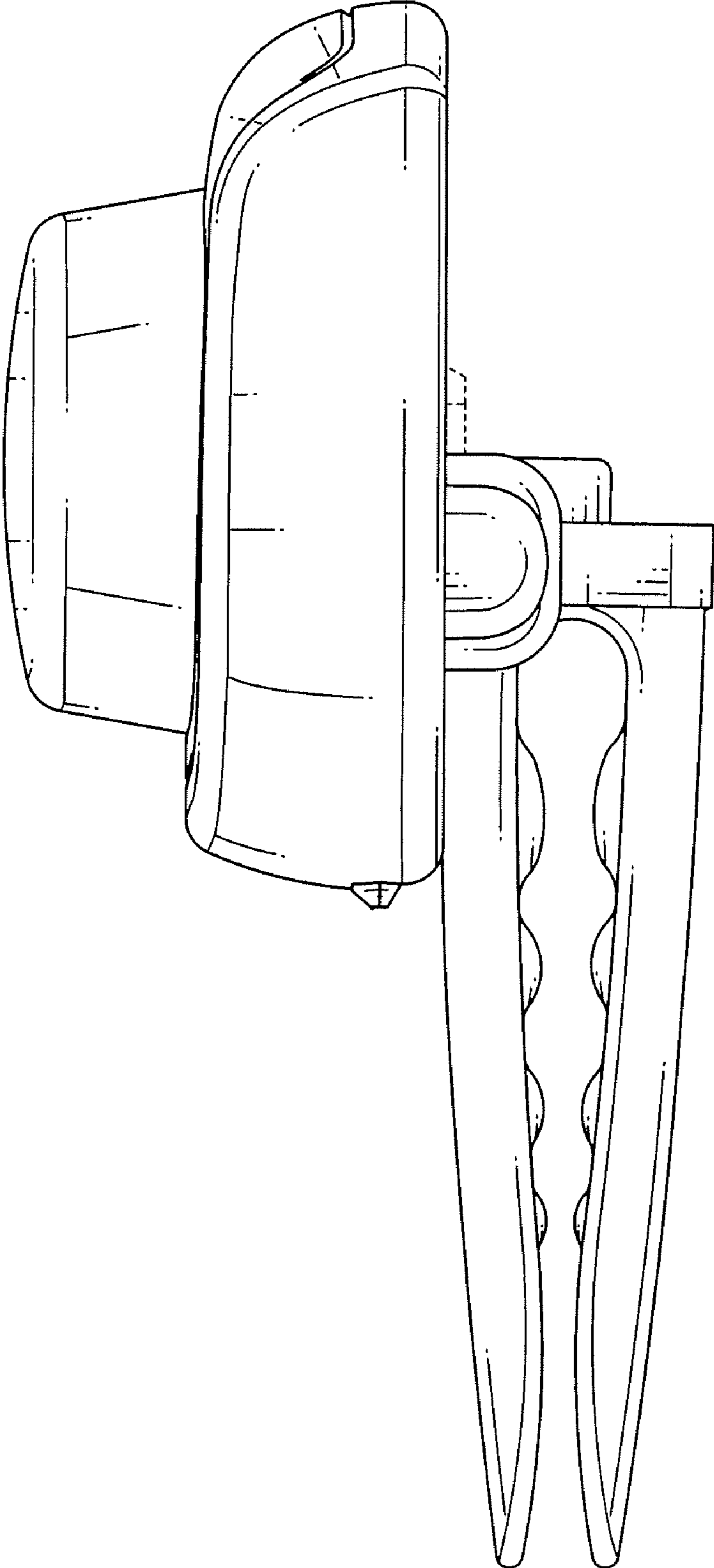


FIG. 10

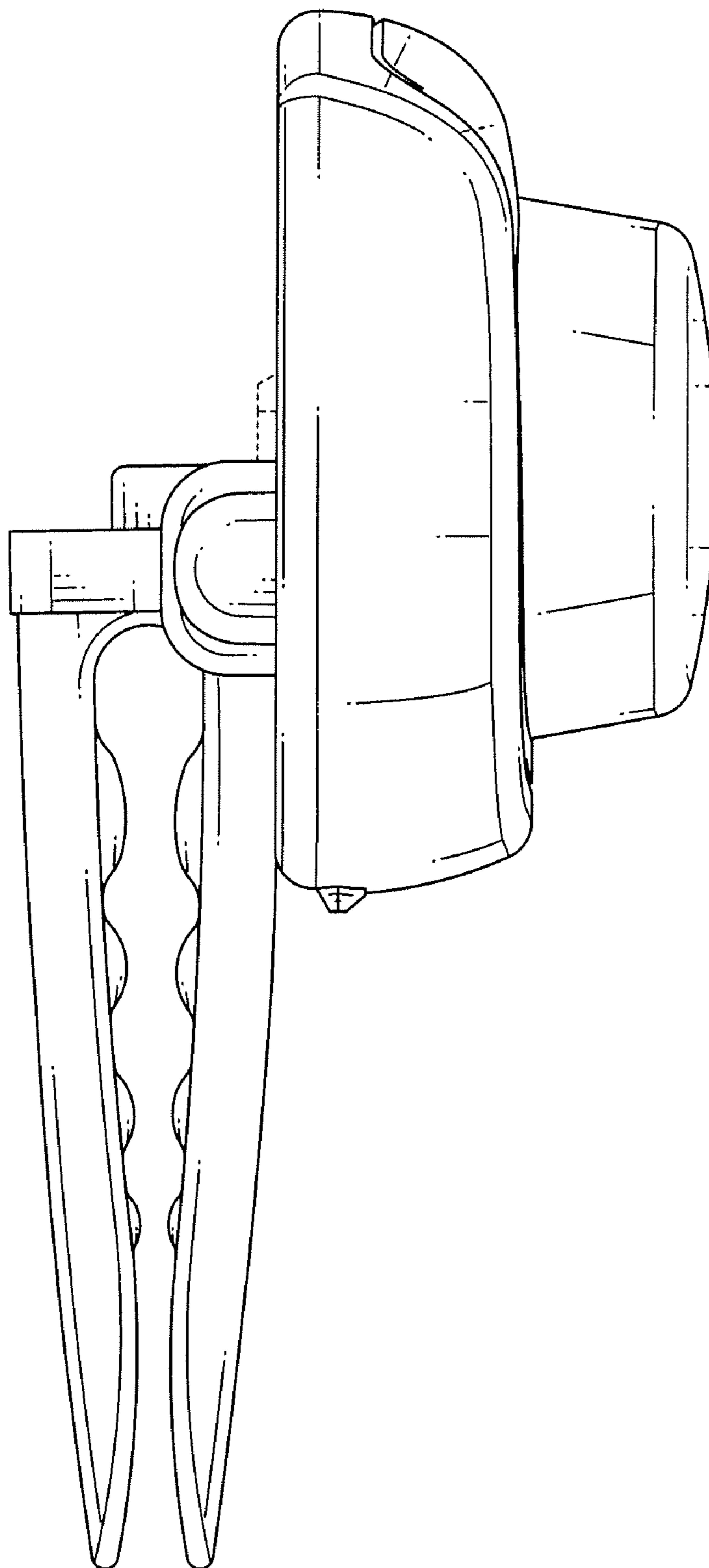


FIG. 11

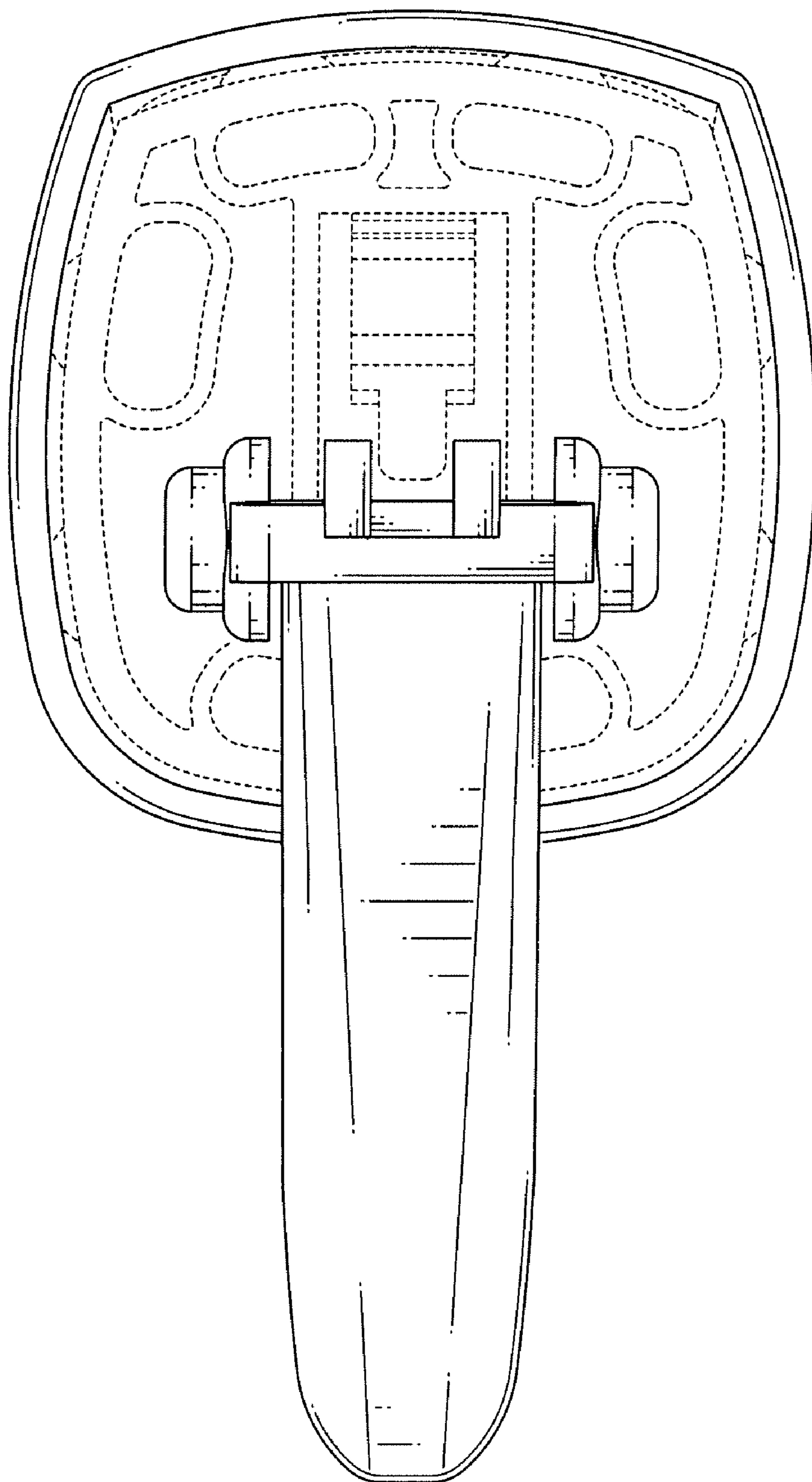


FIG. 12

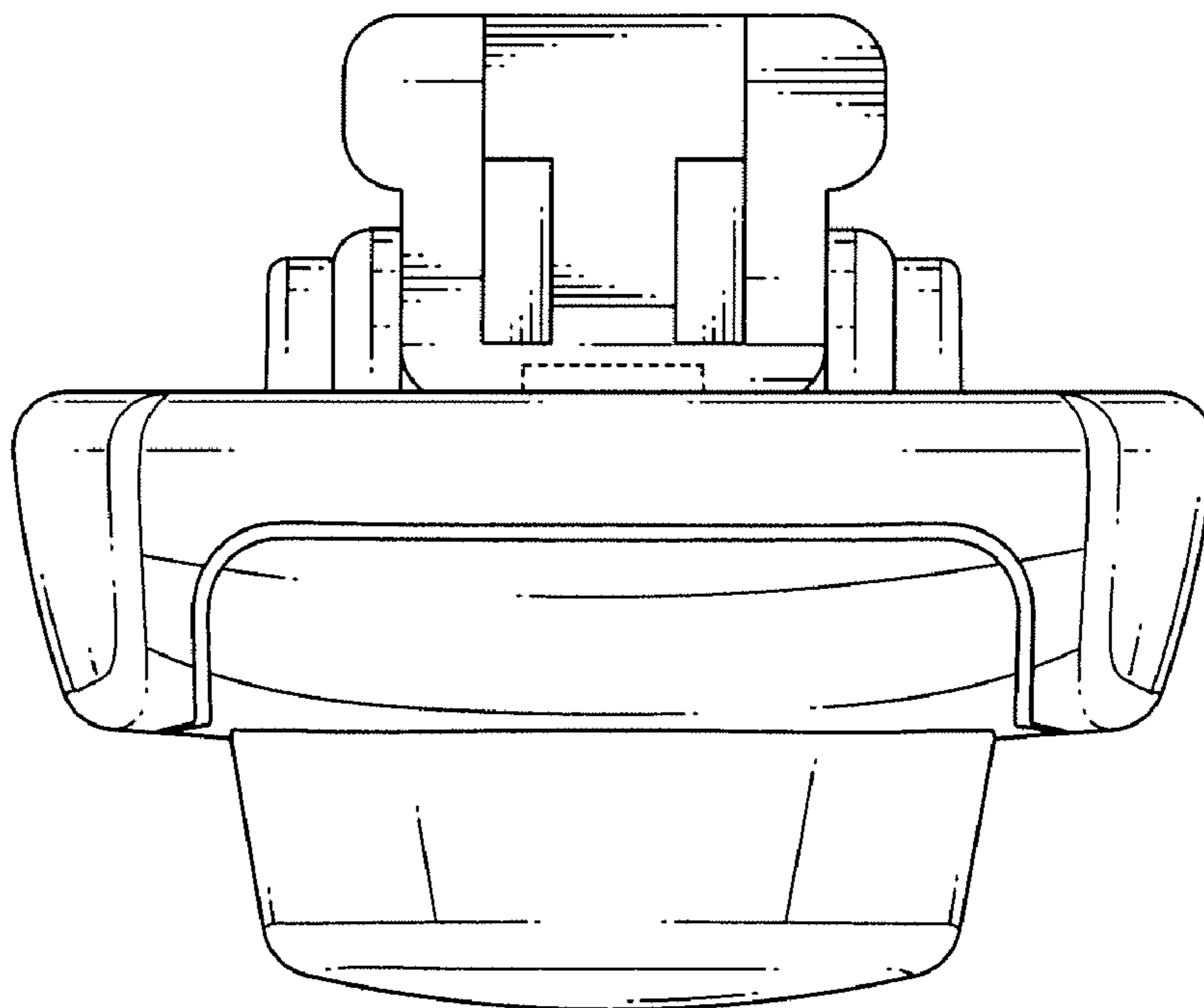


FIG. 13

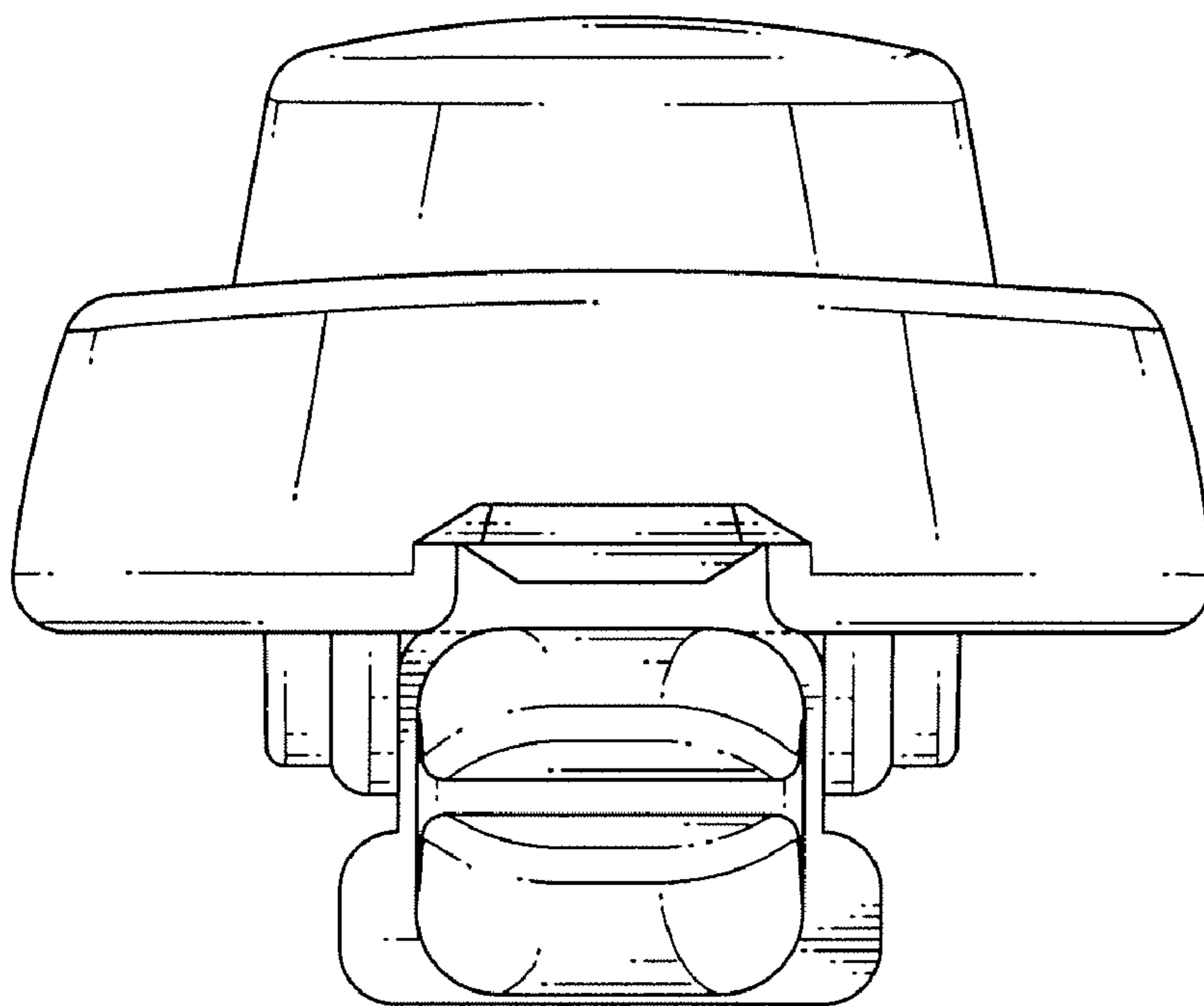


FIG. 14

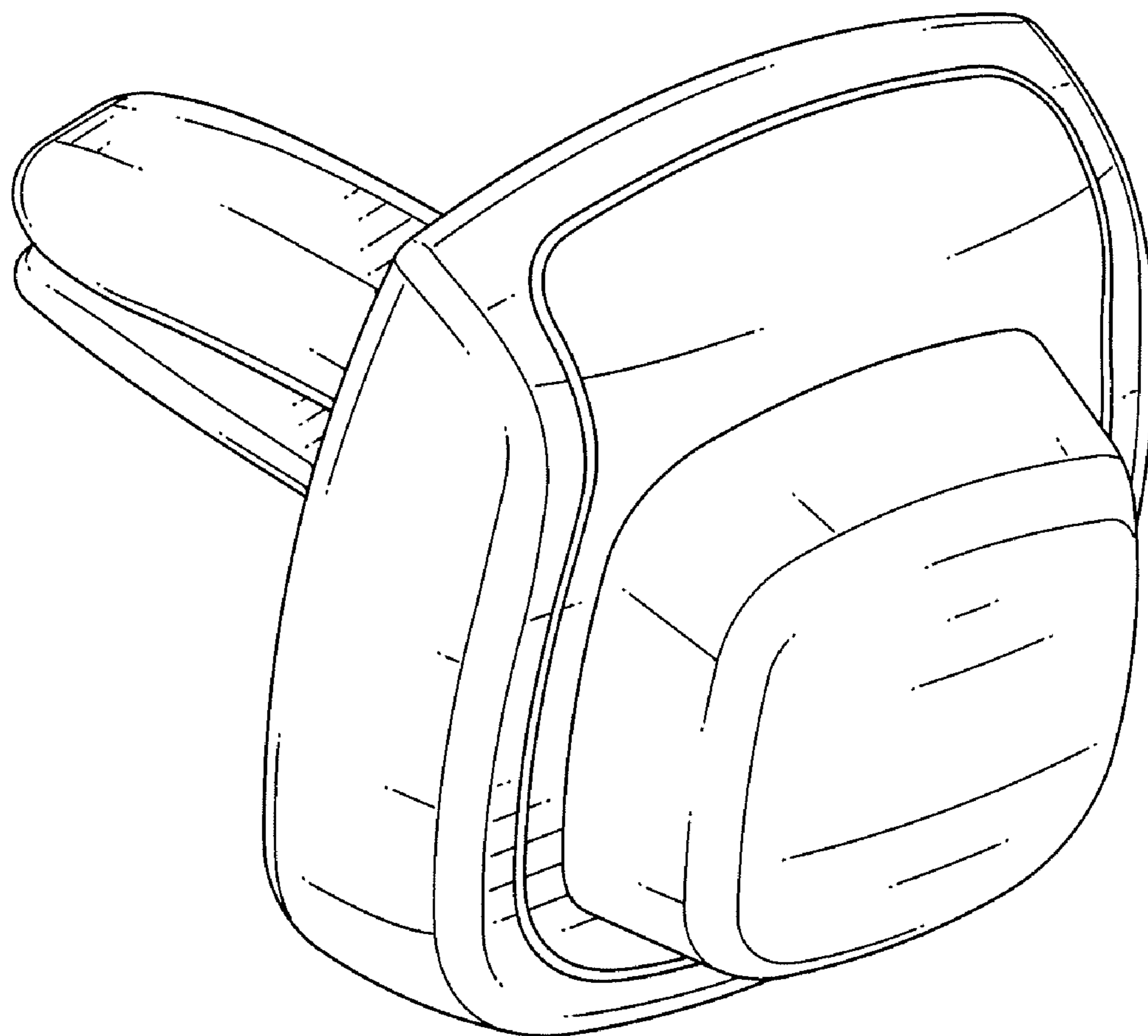


FIG. 15

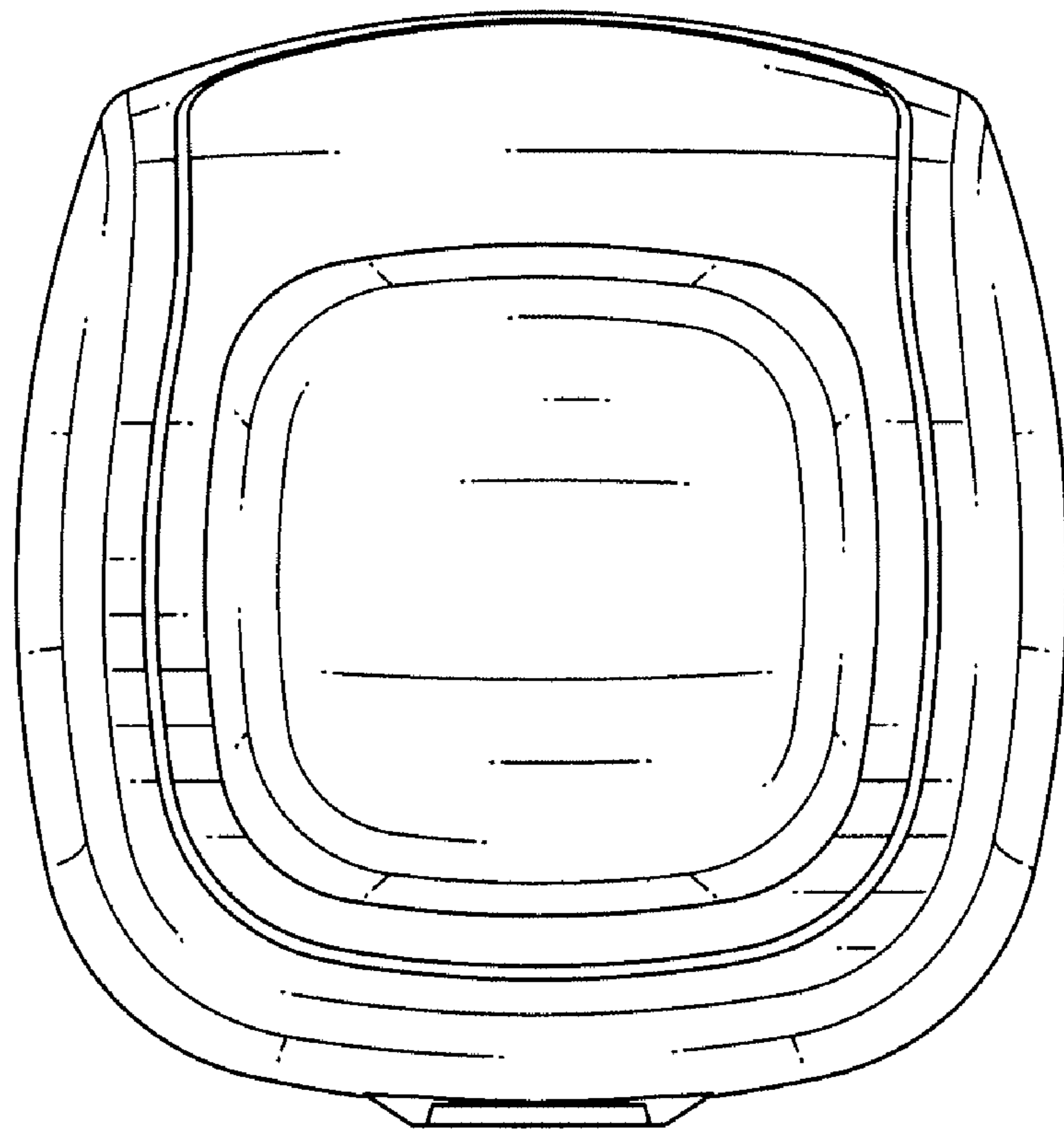


FIG. 16

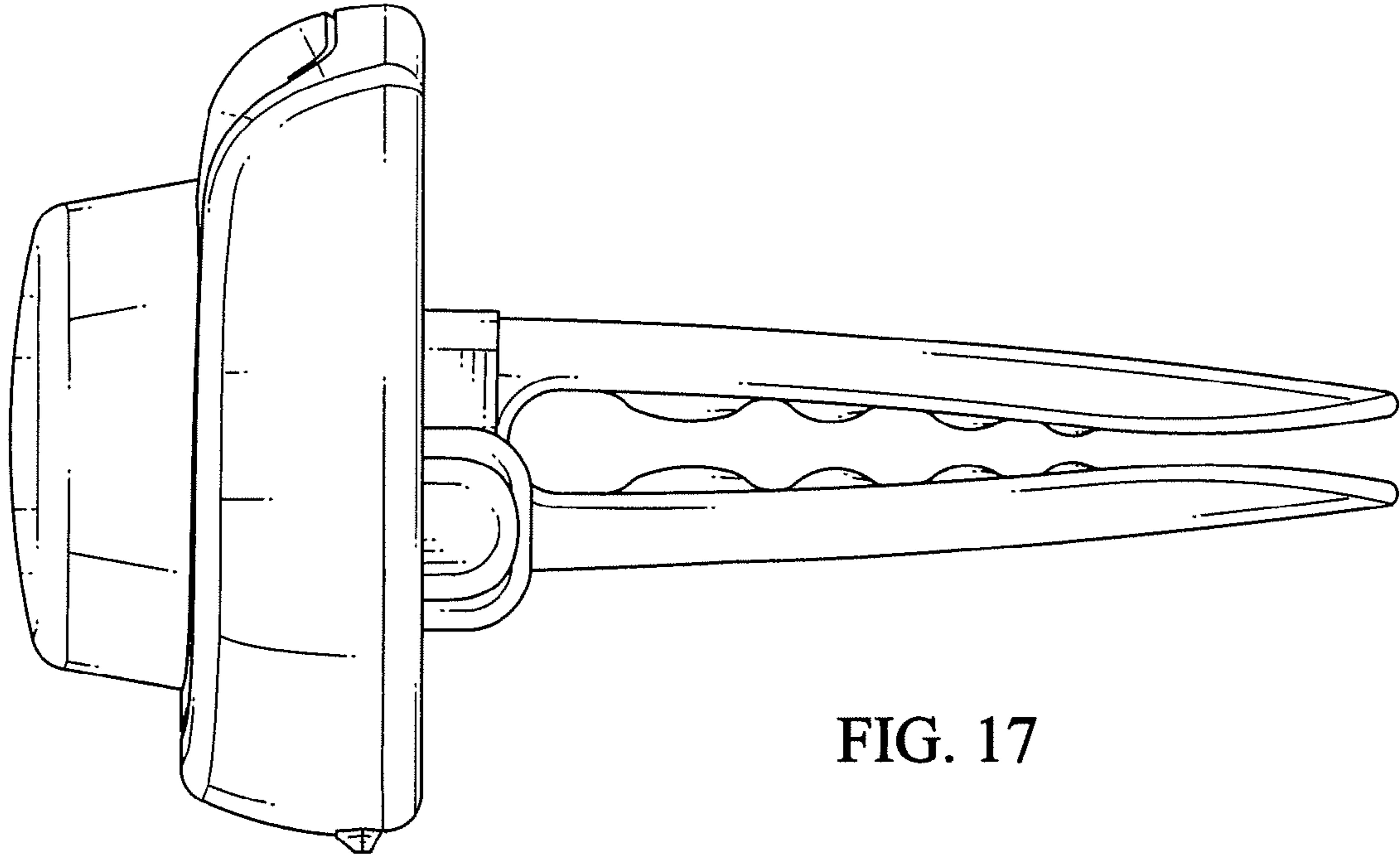


FIG. 17

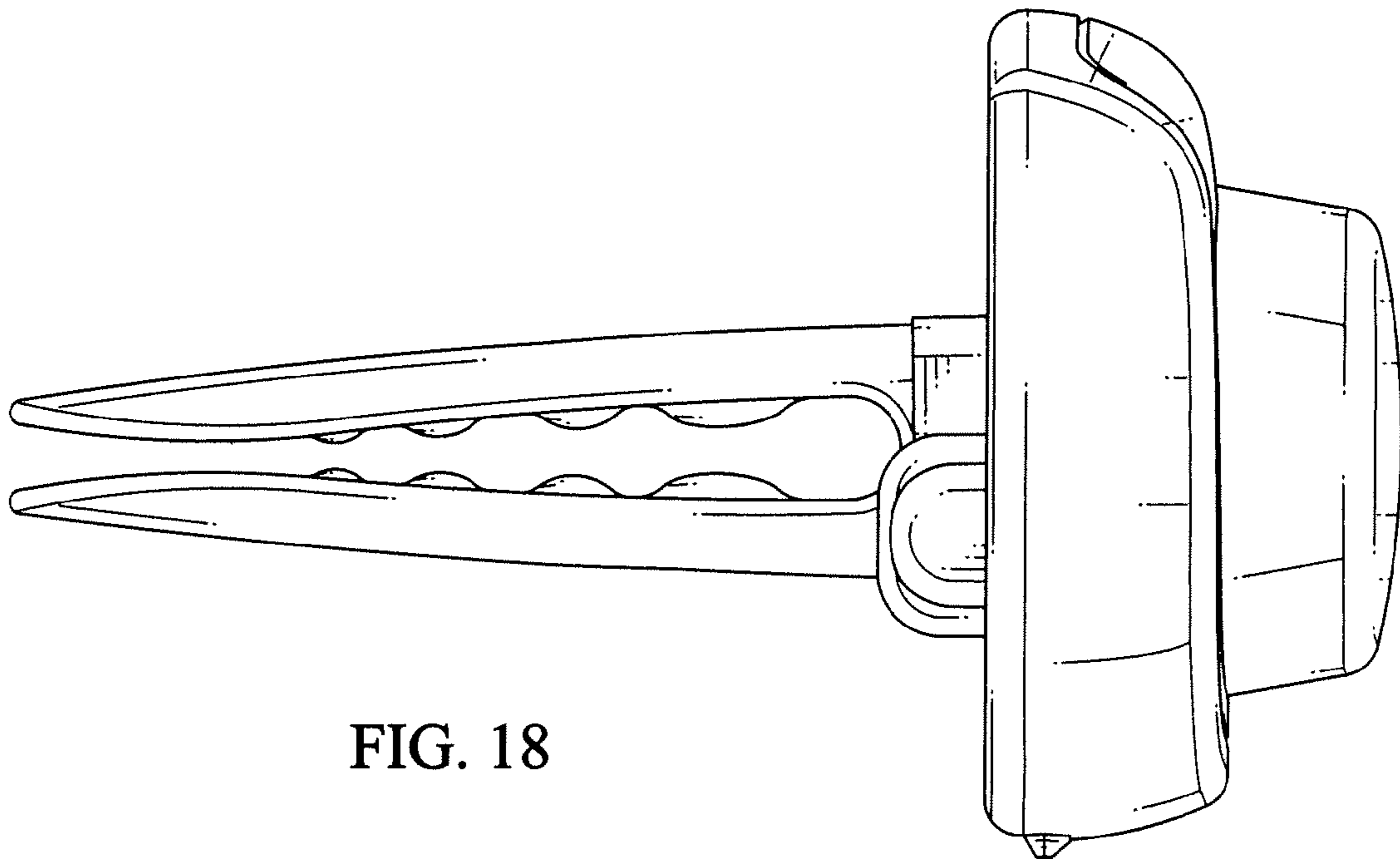


FIG. 18

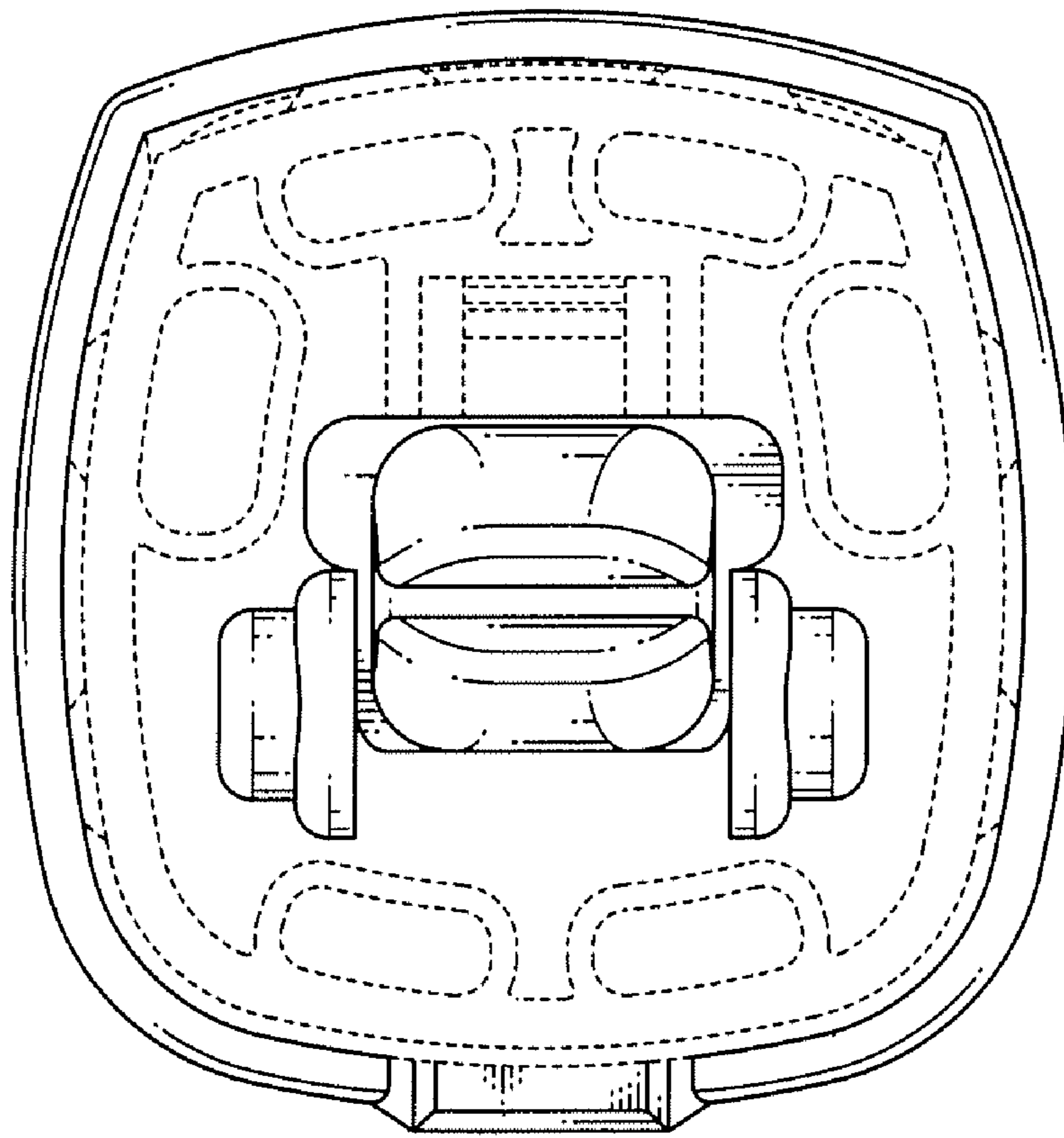


FIG. 19

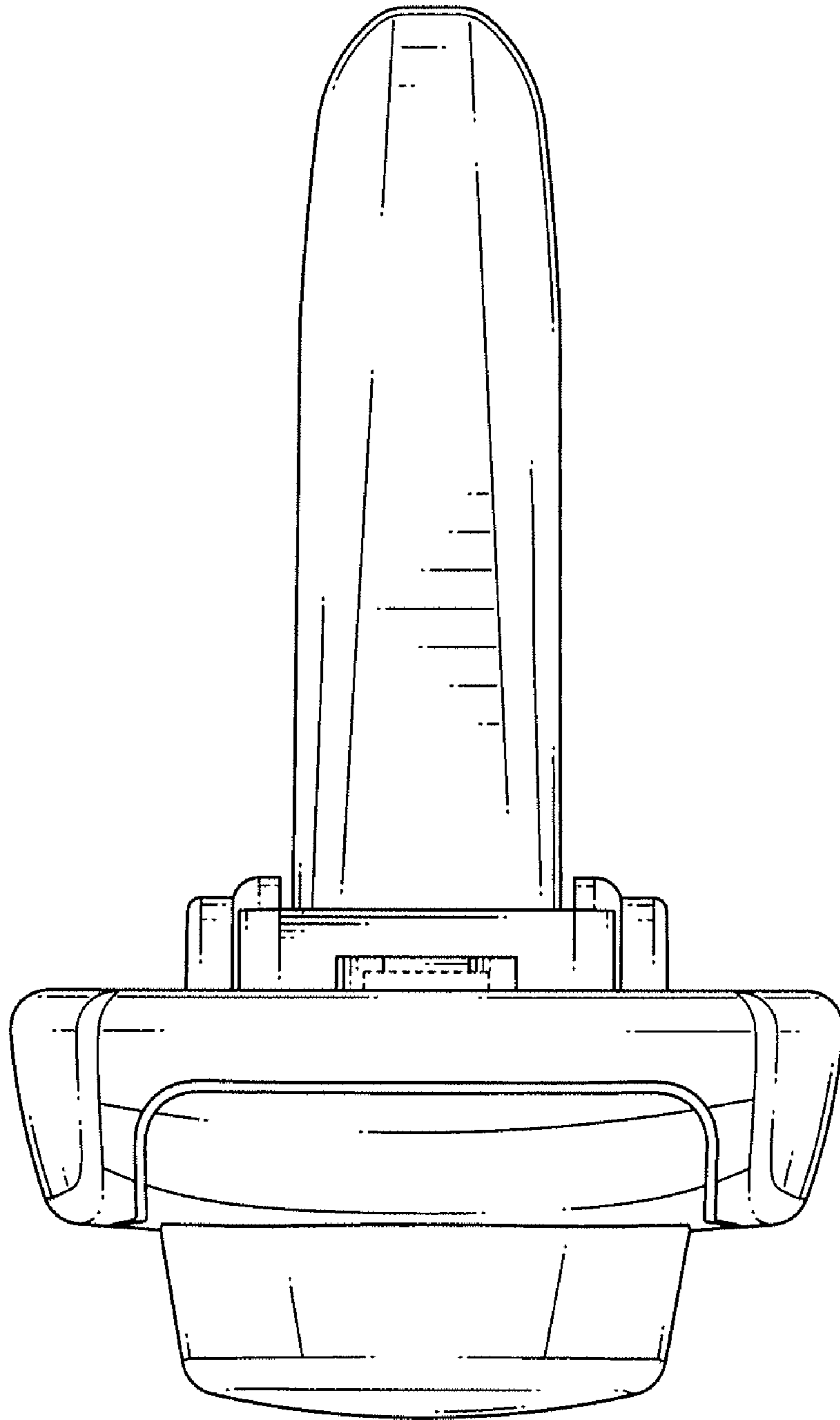


FIG. 20

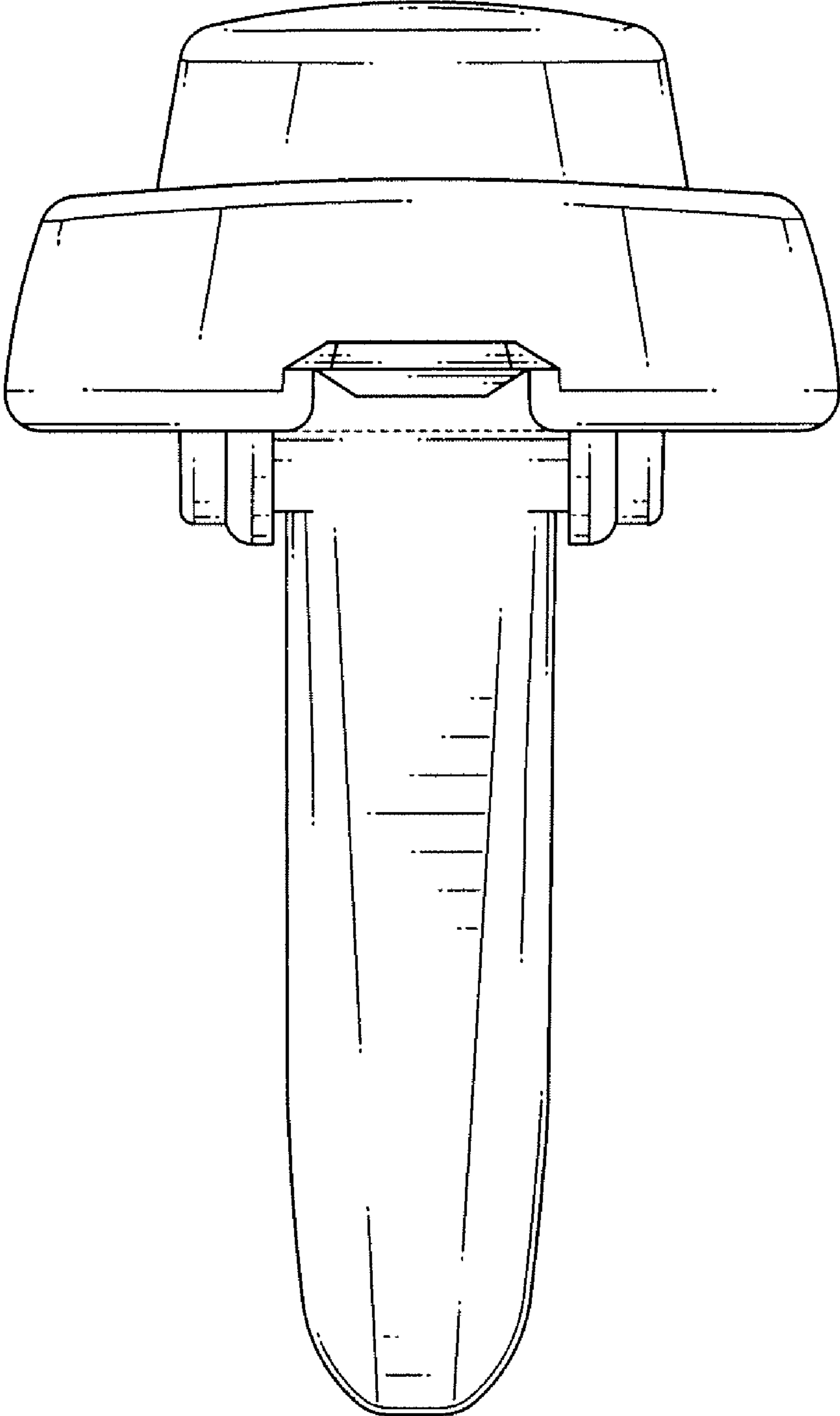


FIG. 21

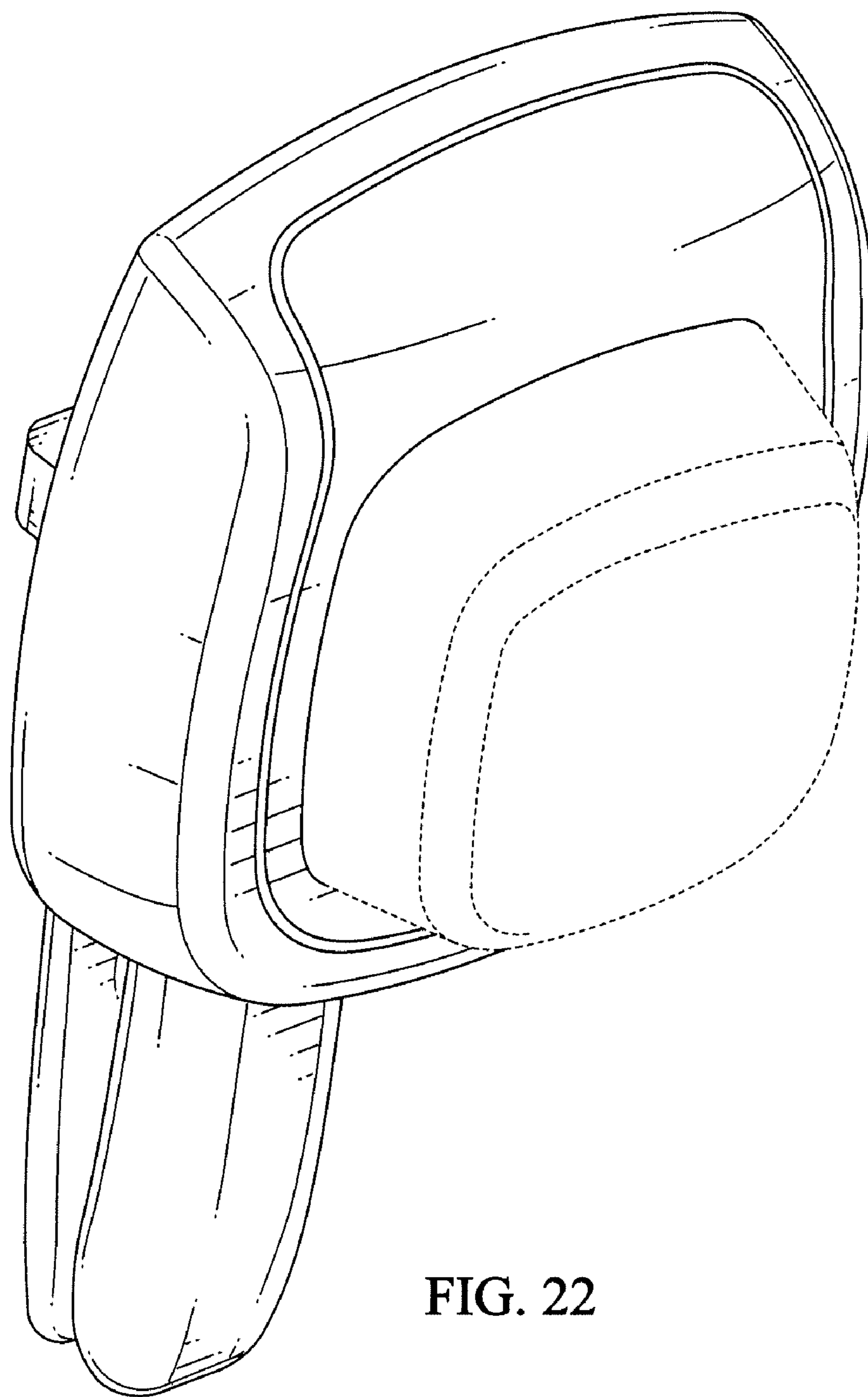


FIG. 22

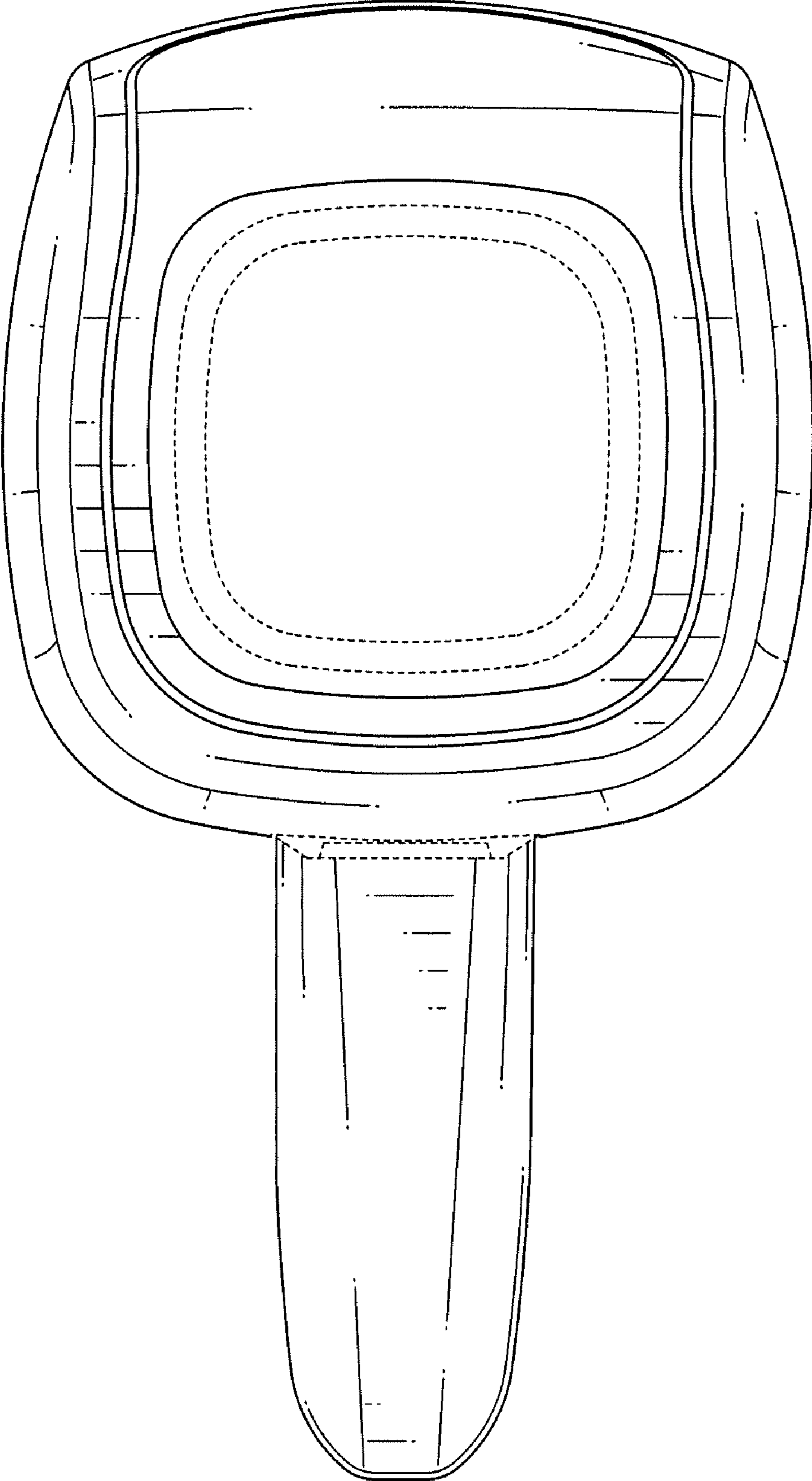


FIG. 23

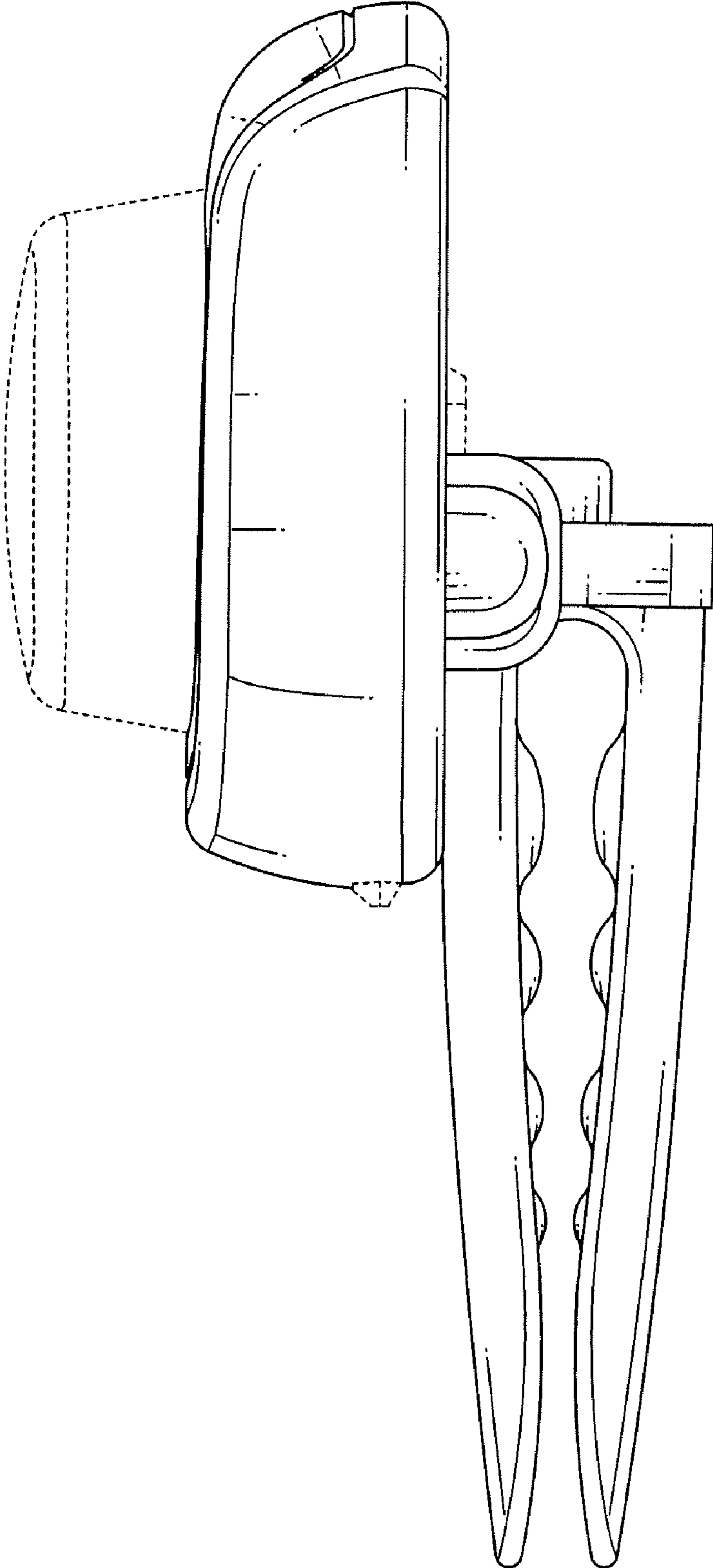


FIG. 24

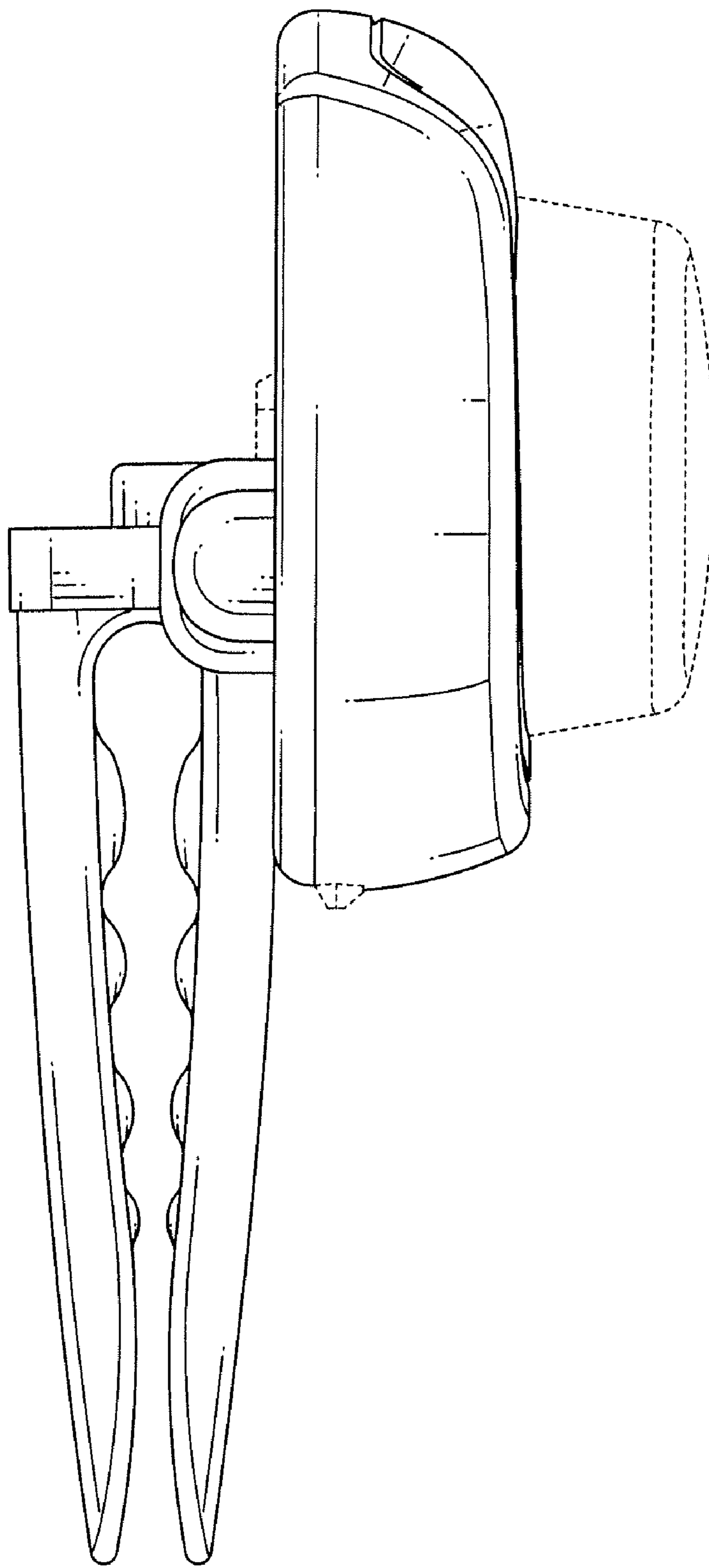


FIG. 25

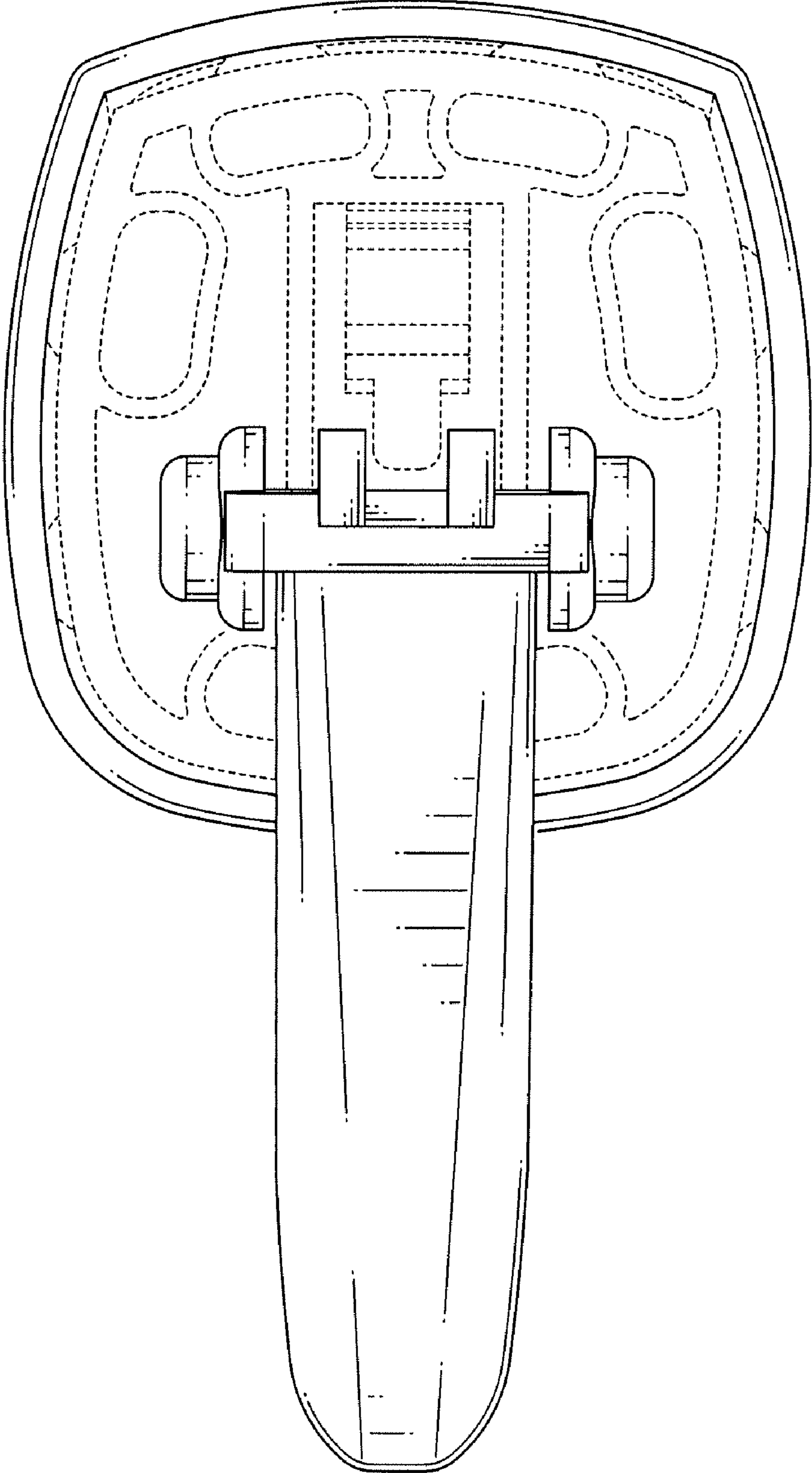


FIG. 26

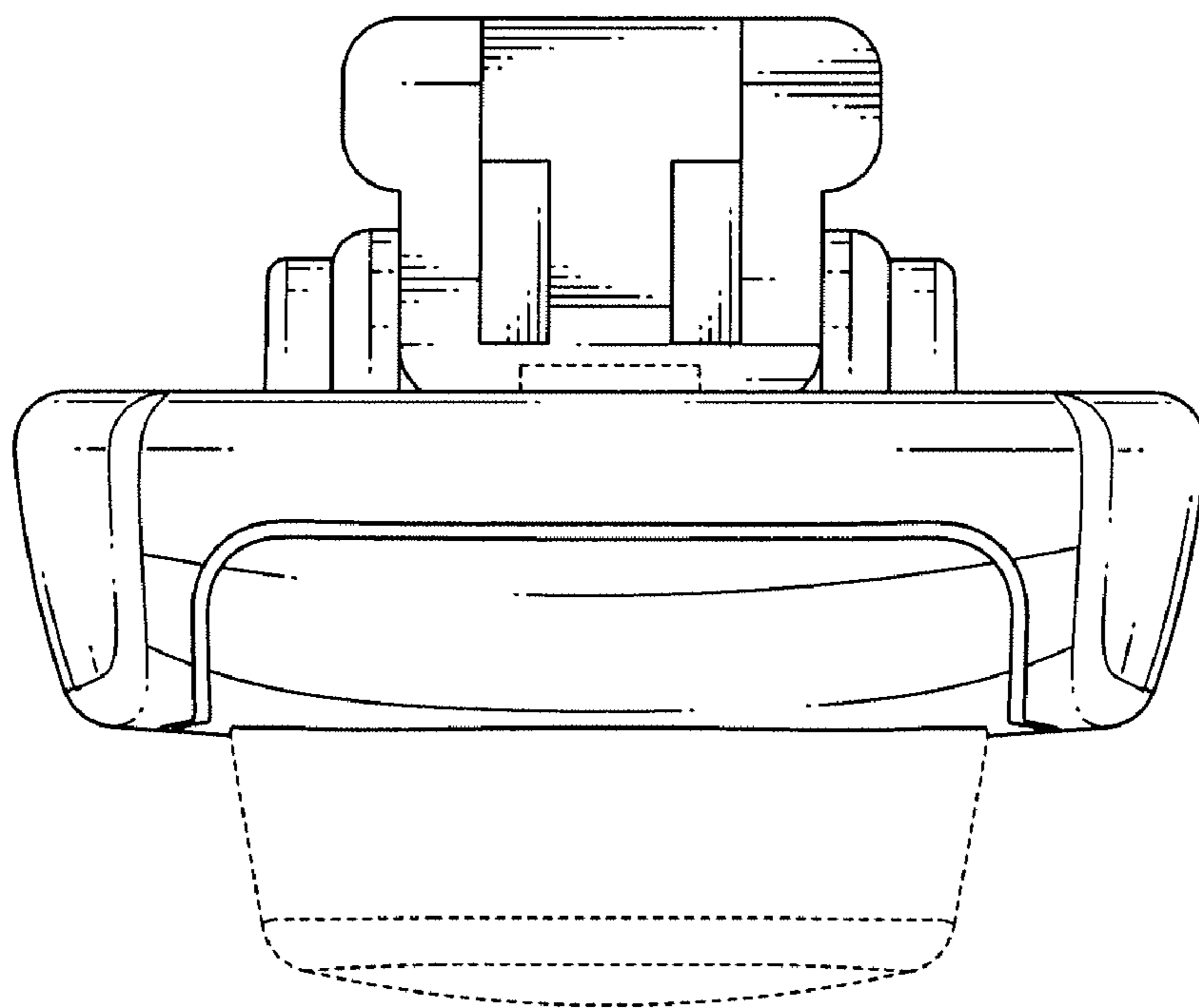


FIG. 27

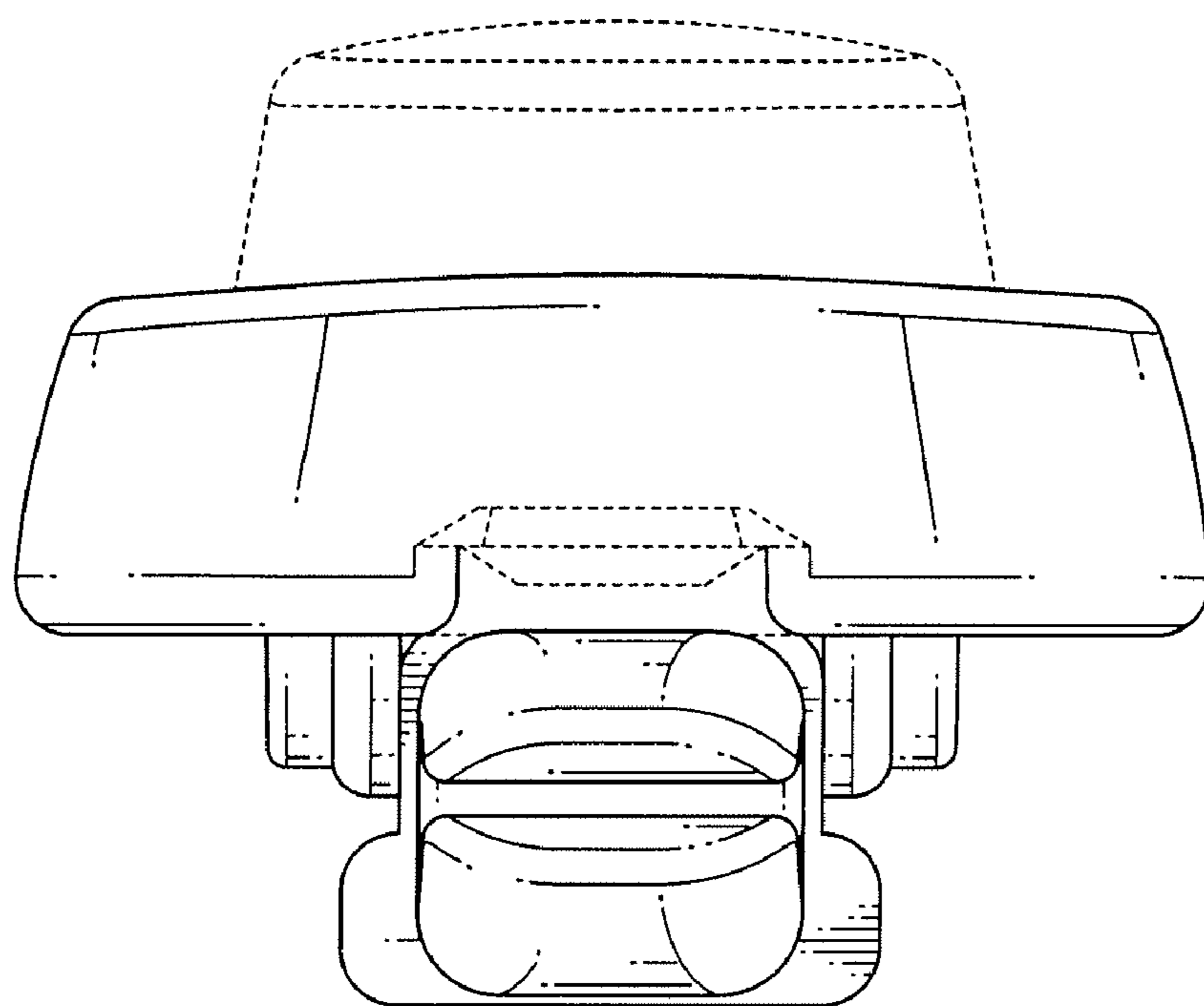


FIG. 28