



US00D618326S

(12) **United States Design Patent**
Galjaardt et al.

(10) **Patent No.:** **US D618,326 S**

(45) **Date of Patent:** **** Jun. 22, 2010**

(54) **WATER HEATER COVER**

D587,359 S * 2/2009 Diaz et al. D23/318

(75) Inventors: **Richard Anthony Galjaardt**, c/o
Pizzeys Patent and Trademark Attorneys,
Level 2, Woden Plaza Offices, Woden
Town Square, Woden (AU) ACT 2606;
Marc Fraser, Blackburn North (AU)

* cited by examiner

Primary Examiner—T. Chase Nelson
Assistant Examiner—Ania K Dworzecka
(74) *Attorney, Agent, or Firm*—Choate, Hall & Stewart, LLP

(73) Assignees: **Richard Anthony Galjaardt** (AU); **Paul Joseph Donaghue** (AU)

(57) **CLAIM**

The ornamental design for a water heater cover, as shown and described.

(**) Term: **14 Years**

(21) Appl. No.: **29/328,778**

DESCRIPTION

(22) Filed: **Dec. 2, 2008**

(51) **LOC (9) Cl.** **23-03**

(52) **U.S. Cl.** **D23/322**

(58) **Field of Classification Search** D23/318,
D23/322, 319, 320, 321, 334; 126/361, 35 R;
122/13.2, 14, 15, 19.2; 392/449, 451, 454
See application file for complete search history.

FIG. 1 is a rear perspective view of a water heater cover showing our new design;
FIG. 2 is a front perspective view;
FIG. 3 is a left side elevation view;
FIG. 4 is a front elevation view;
FIG. 5 is a top plan view;
FIG. 6 is a right side elevation view;
FIG. 7 is a bottom plan view;
FIG. 8 is a rear elevation view; and,
FIG. 9 is an exploded front perspective view.

The broken lines of the figures are for illustrative purposes and form no part of the claimed design.

(56) **References Cited**

U.S. PATENT DOCUMENTS

D262,992 S *	2/1982	Owen	D23/318
D389,236 S *	1/1998	Shimansky	D23/386
D450,686 S *	11/2001	Beaumont et al.	D14/140.2
6,575,121 B1	6/2003	Galjaardt		
D485,893 S *	1/2004	Du et al.	D23/318

1 Claim, 9 Drawing Sheets

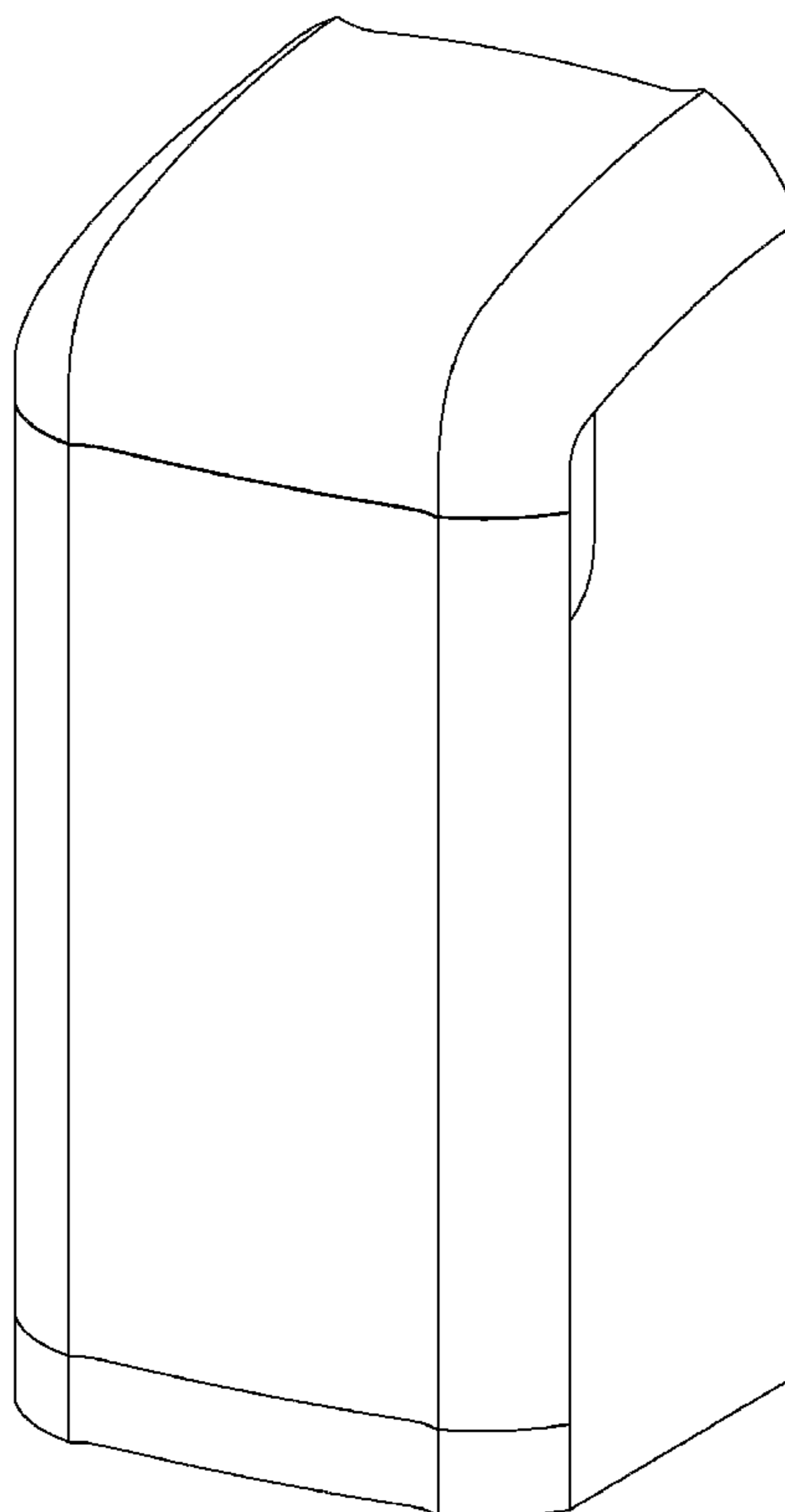




FIG. 1

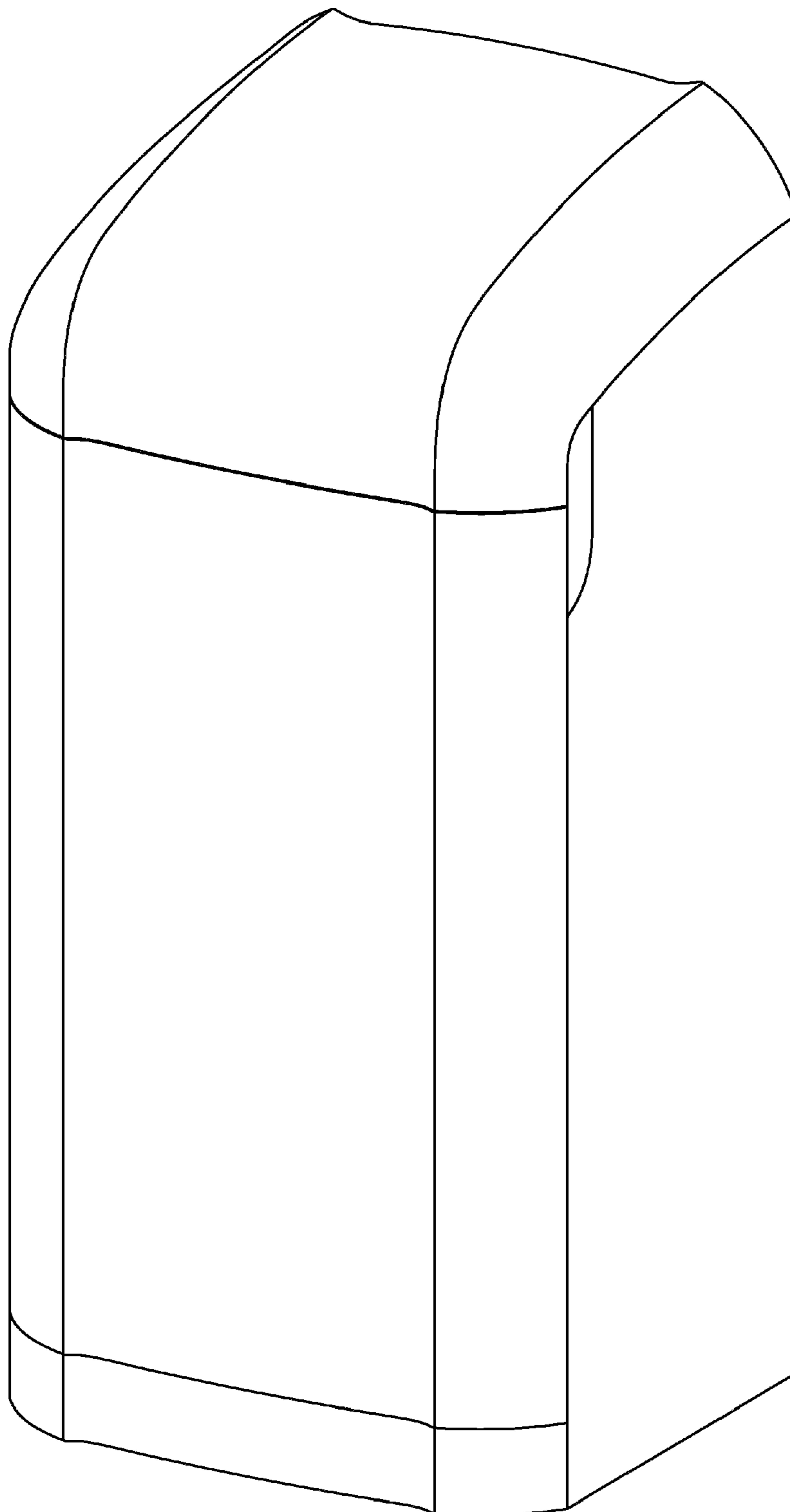


FIG. 2

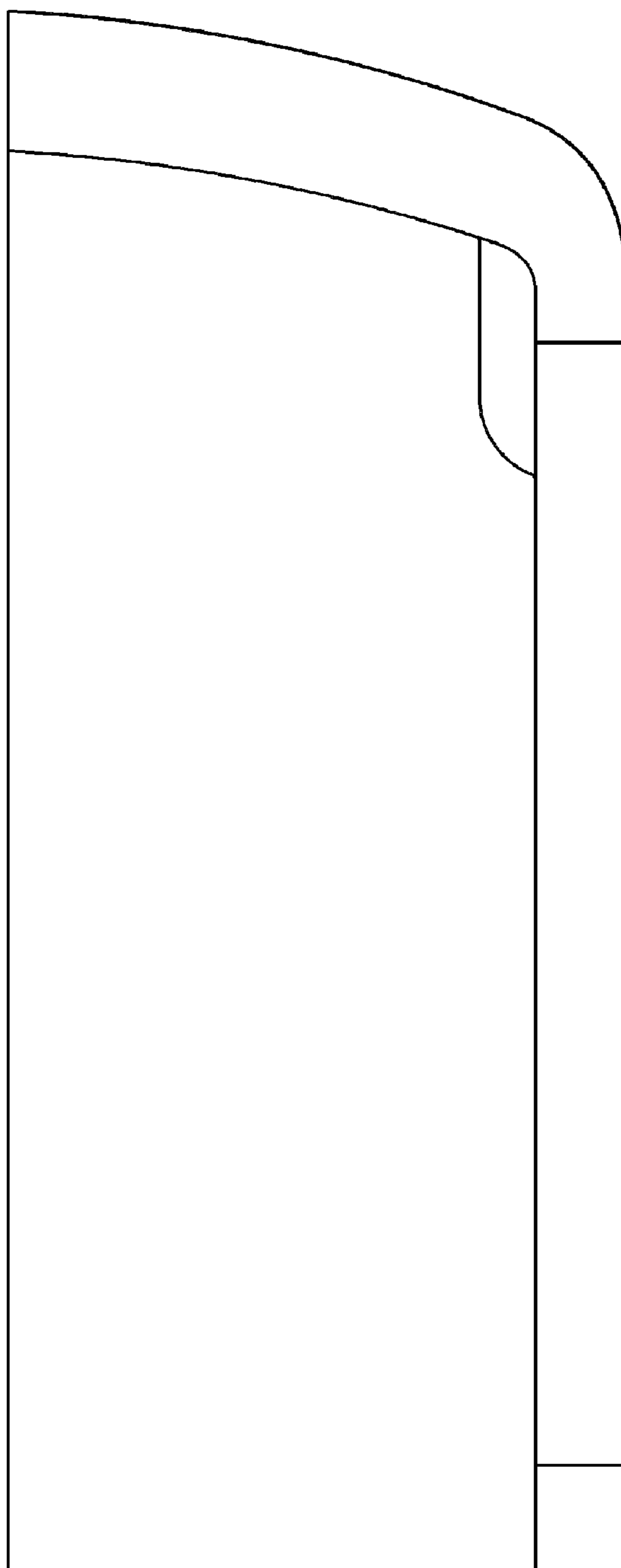


FIG. 3

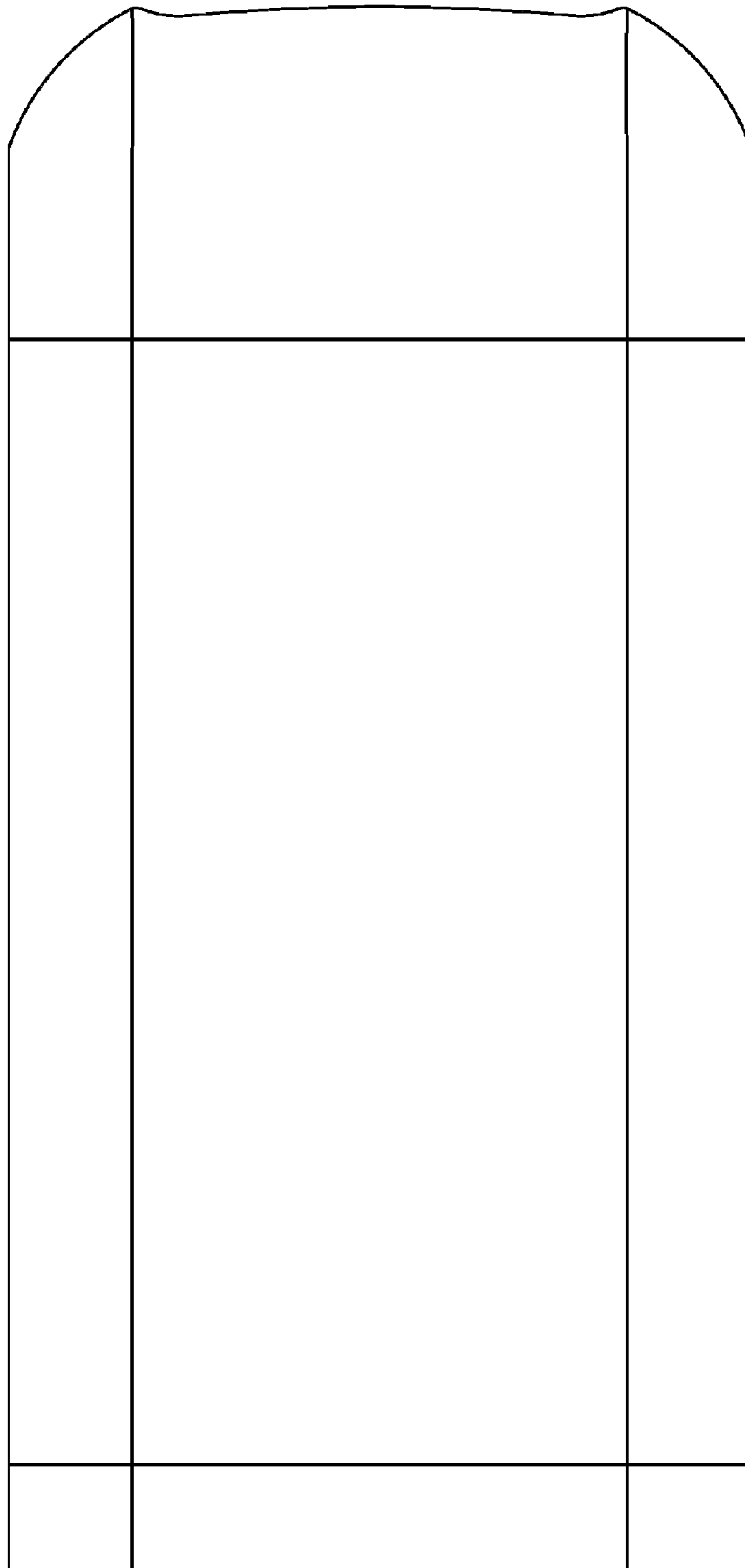


FIG. 4

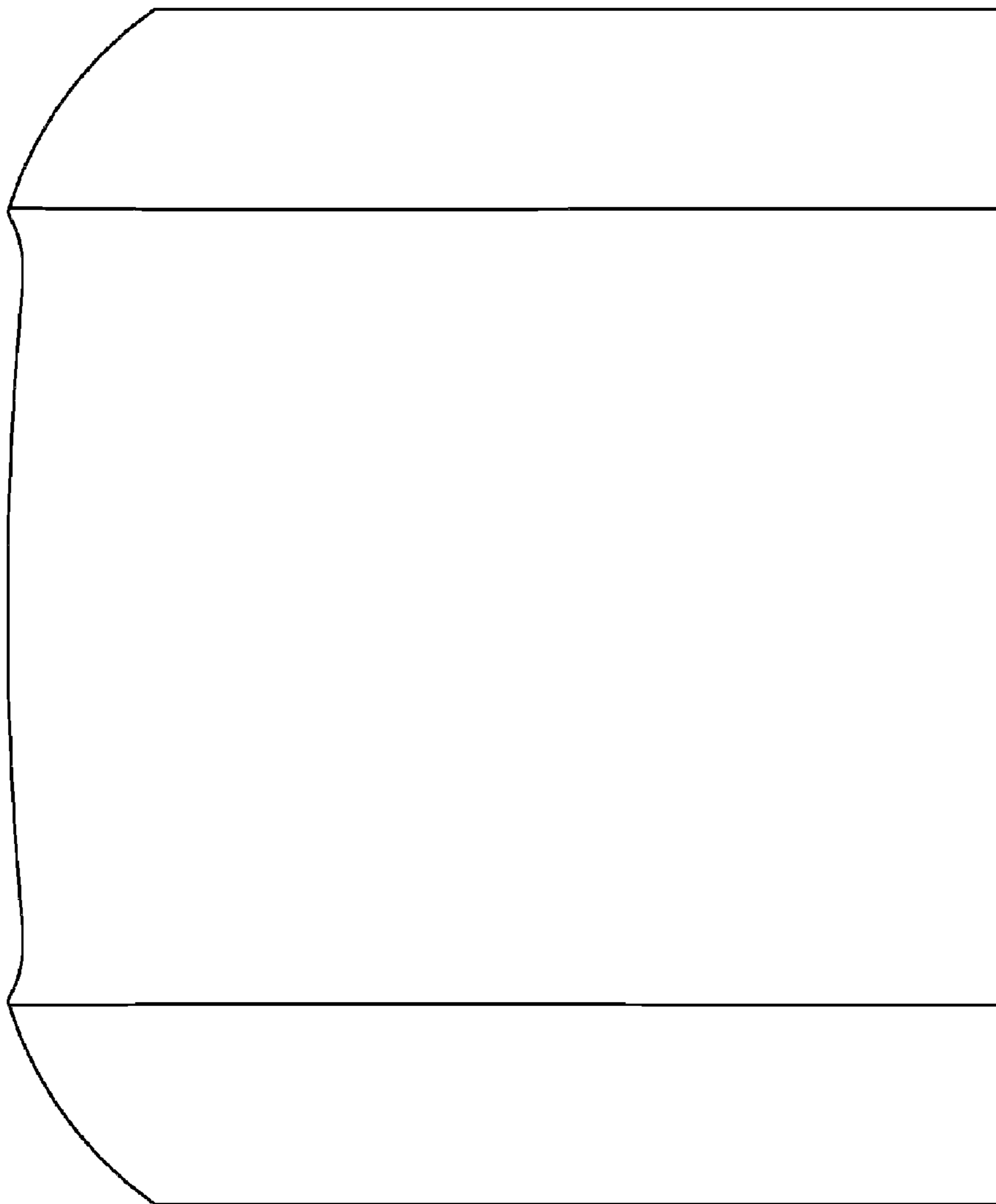


FIG. 5

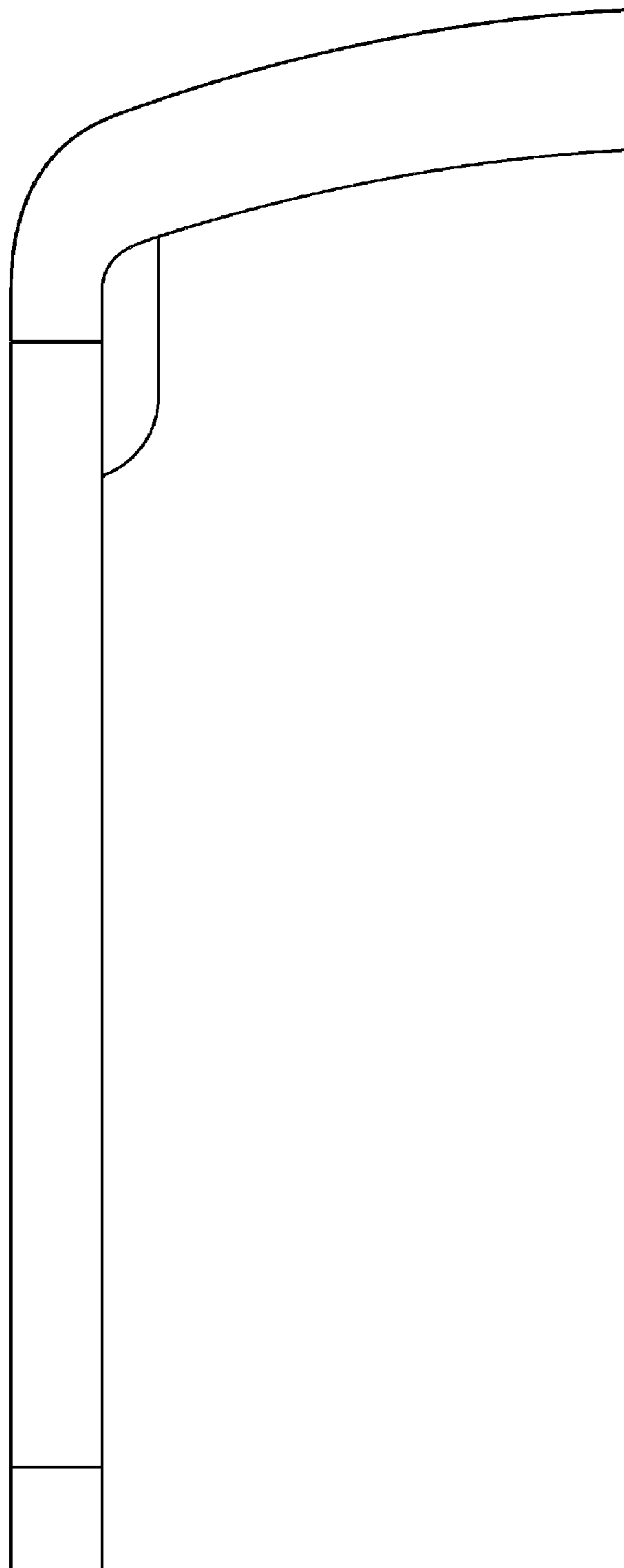


FIG. 6

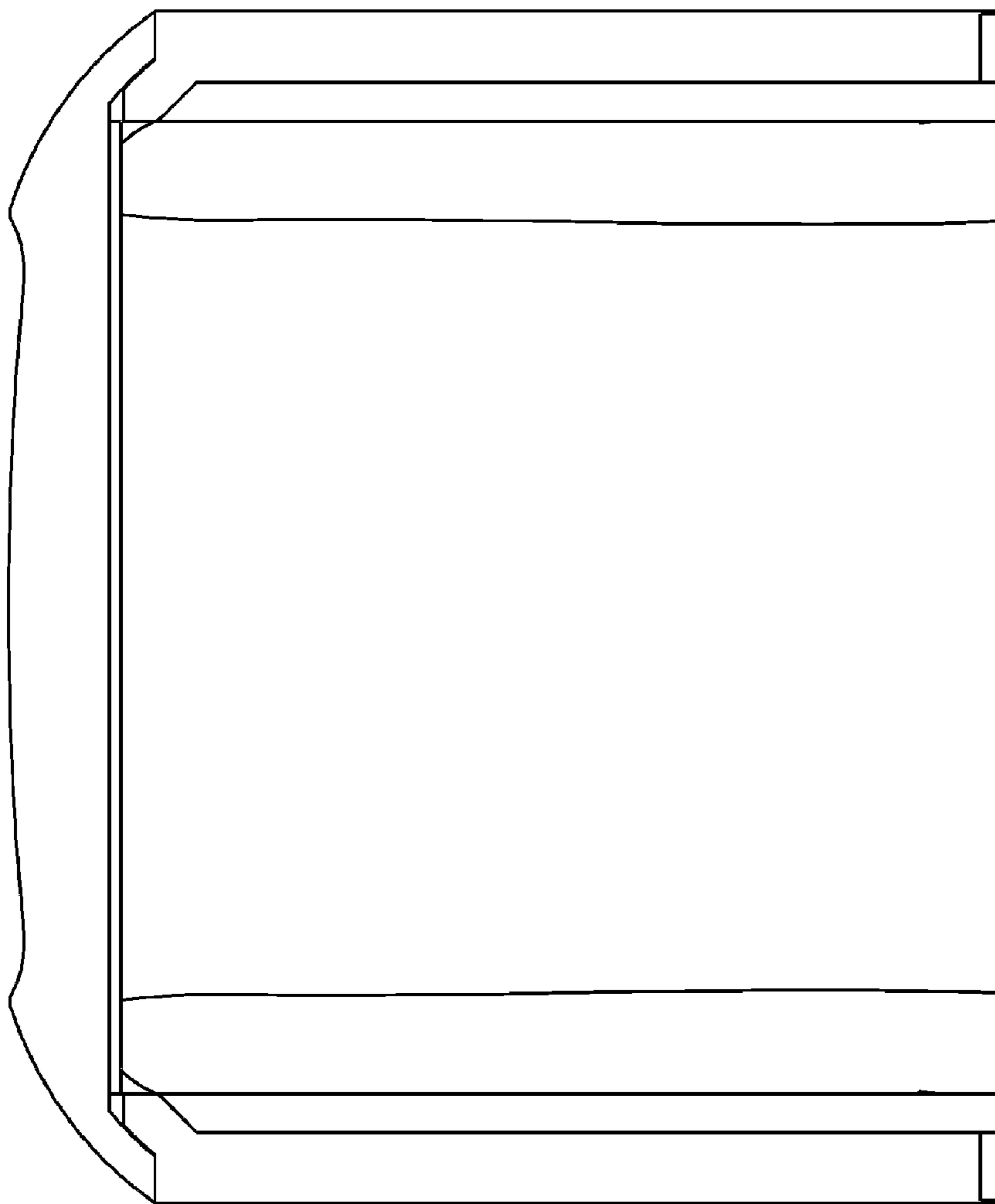


FIG. 7

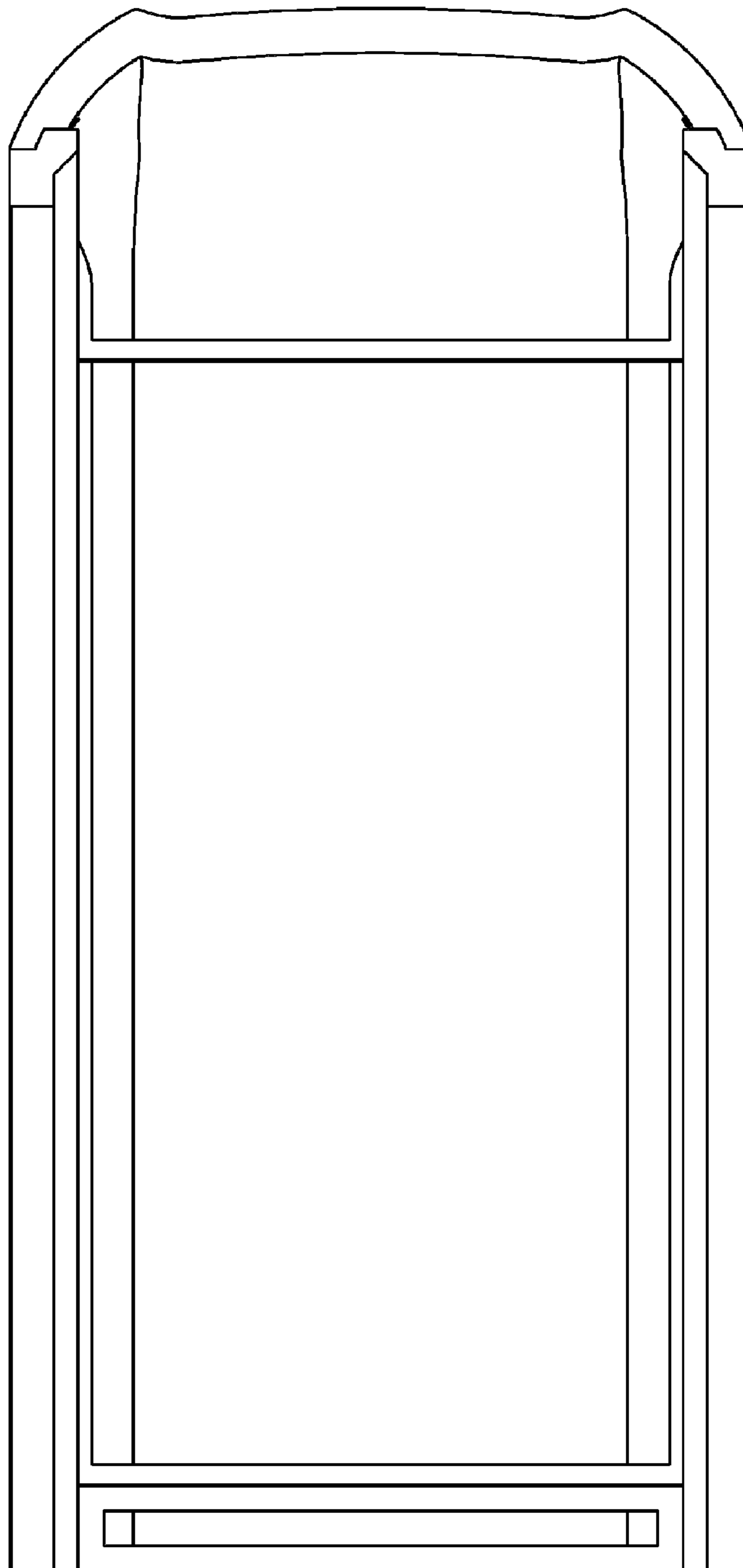


FIG. 8

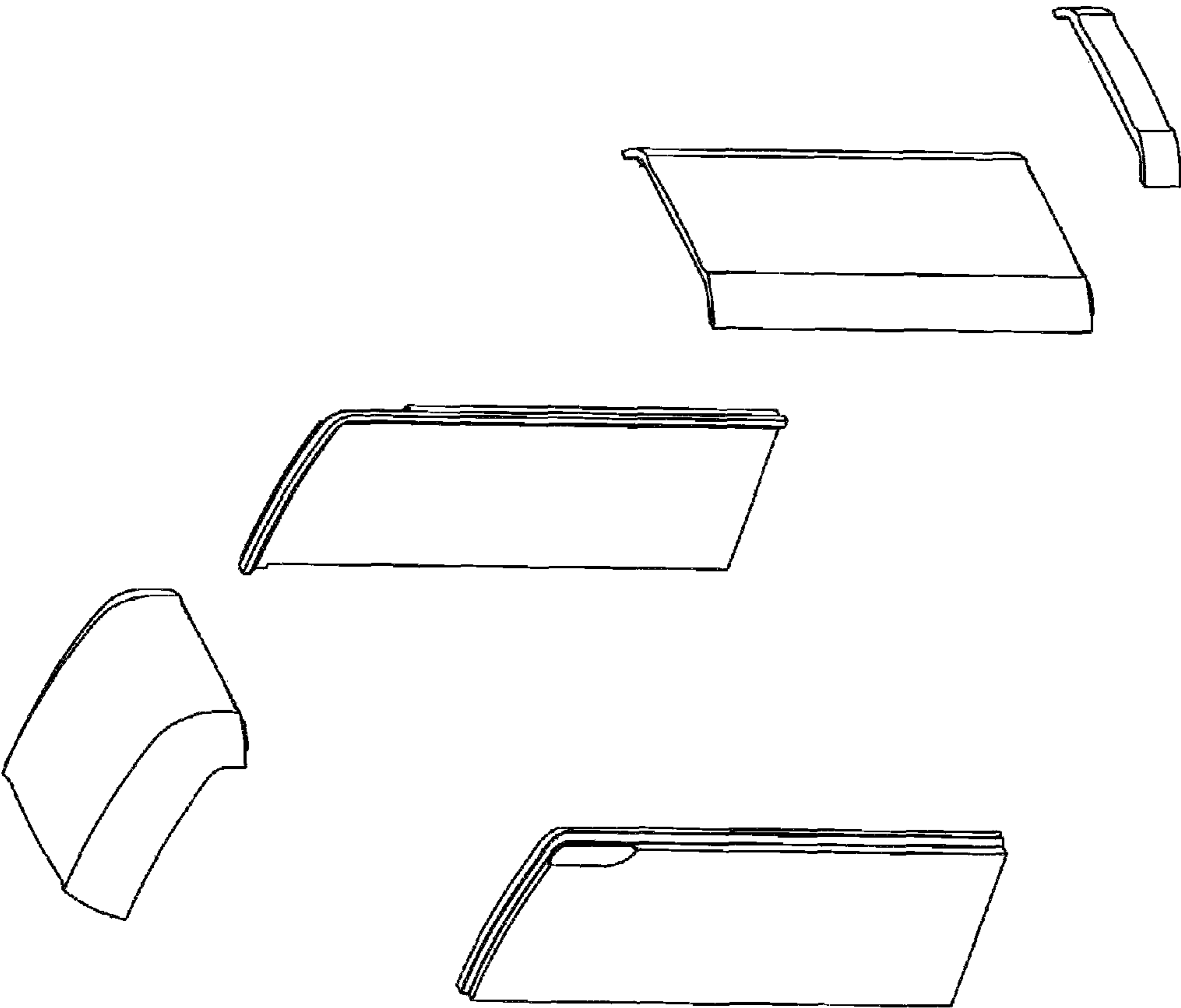


FIG. 9