



US00D618323S

(12) **United States Design Patent**
Ogawa

(10) **Patent No.:** **US D618,323 S**
(45) **Date of Patent:** **** Jun. 22, 2010**

(54) **PORTION OF URINAL**

Primary Examiner—Robert A Delehanty

(75) **Inventor:** **Hirohisa Ogawa, Zushi (JP)**

(74) *Attorney, Agent, or Firm*—Banner & Witcoff, Ltd.

(73) **Assignee:** **Goshigaisha Ogawa Kokusan Shoten (JP)**

(57) **CLAIM**

(**) **Term:** **14 Years**

The ornamental design for a portion of urinal, as shown and described.

(21) **Appl. No.:** **29/331,679**

(22) **Filed:** **Jan. 30, 2009**

DESCRIPTION

(51) **LOC (9) Cl.** **23-02**

(52) **U.S. Cl.** **D23/302; D26/52**

(58) **Field of Classification Search** D23/302–303,
D23/274, 309; 4/310, 311, 144.1, 340–342,
4/664–665

See application file for complete search history.

FIG. 1 is a front perspective view of a portion of urinal, showing my new design;

FIG. 2 is a front elevational view thereof;

FIG. 3 is a rear elevational view thereof;

FIG. 4 is a top plan view thereof;

FIG. 5 is a bottom plan view thereof; and,

FIG. 6 is a right side elevational view thereof; and the opposite side being a mirror image thereof.

(56) **References Cited**

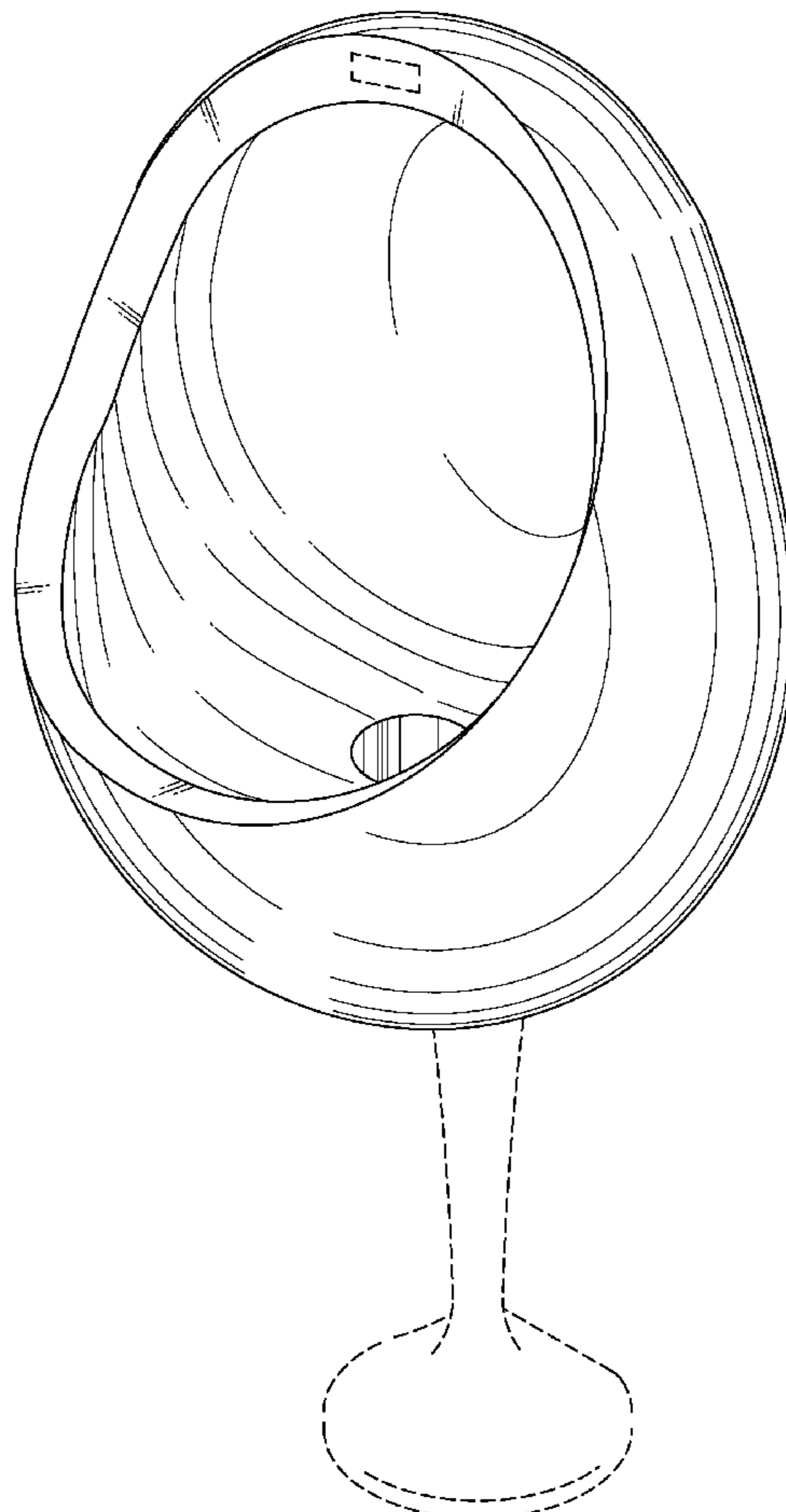
U.S. PATENT DOCUMENTS

D362,716 S *	9/1995	Kolada	D23/302
D395,077 S *	6/1998	Nagato	D23/302
5,822,806 A *	10/1998	Kizhnerman	4/310
D431,638 S *	10/2000	Chiu	D23/302

The broken lines are for illustrative purposes only and form no part of the claimed design.

* cited by examiner

1 Claim, 5 Drawing Sheets



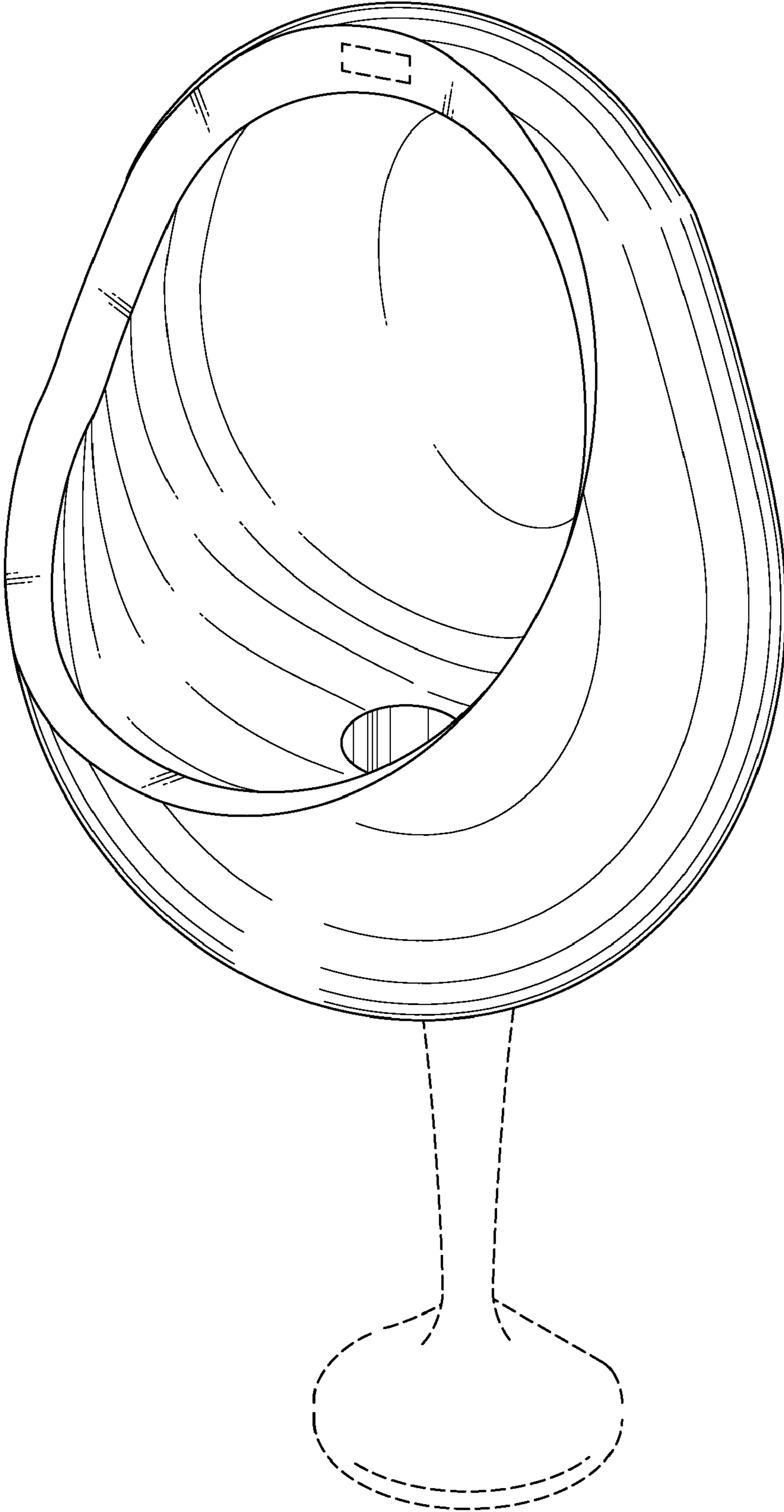


FIG.1



FIG.2

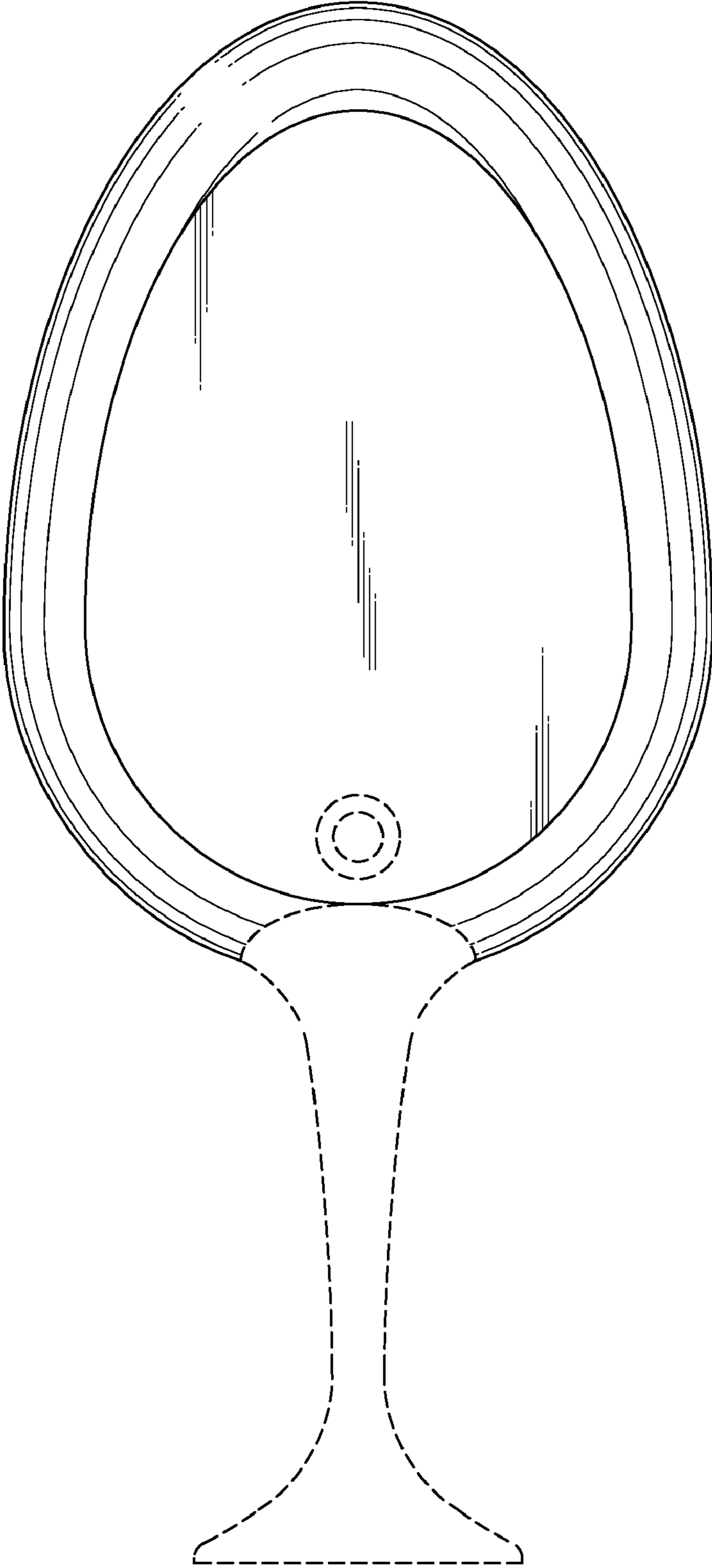


FIG.3

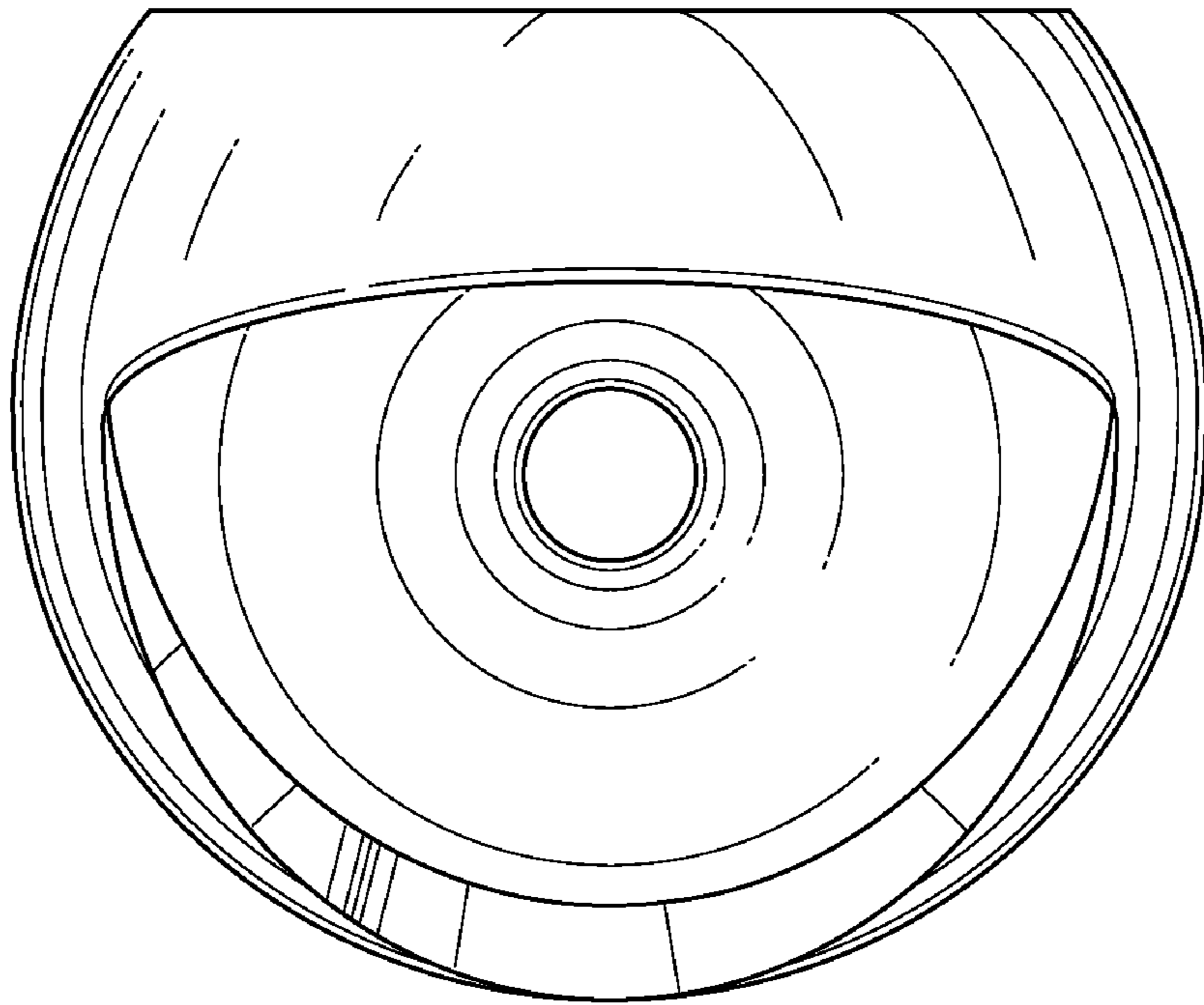


FIG. 4

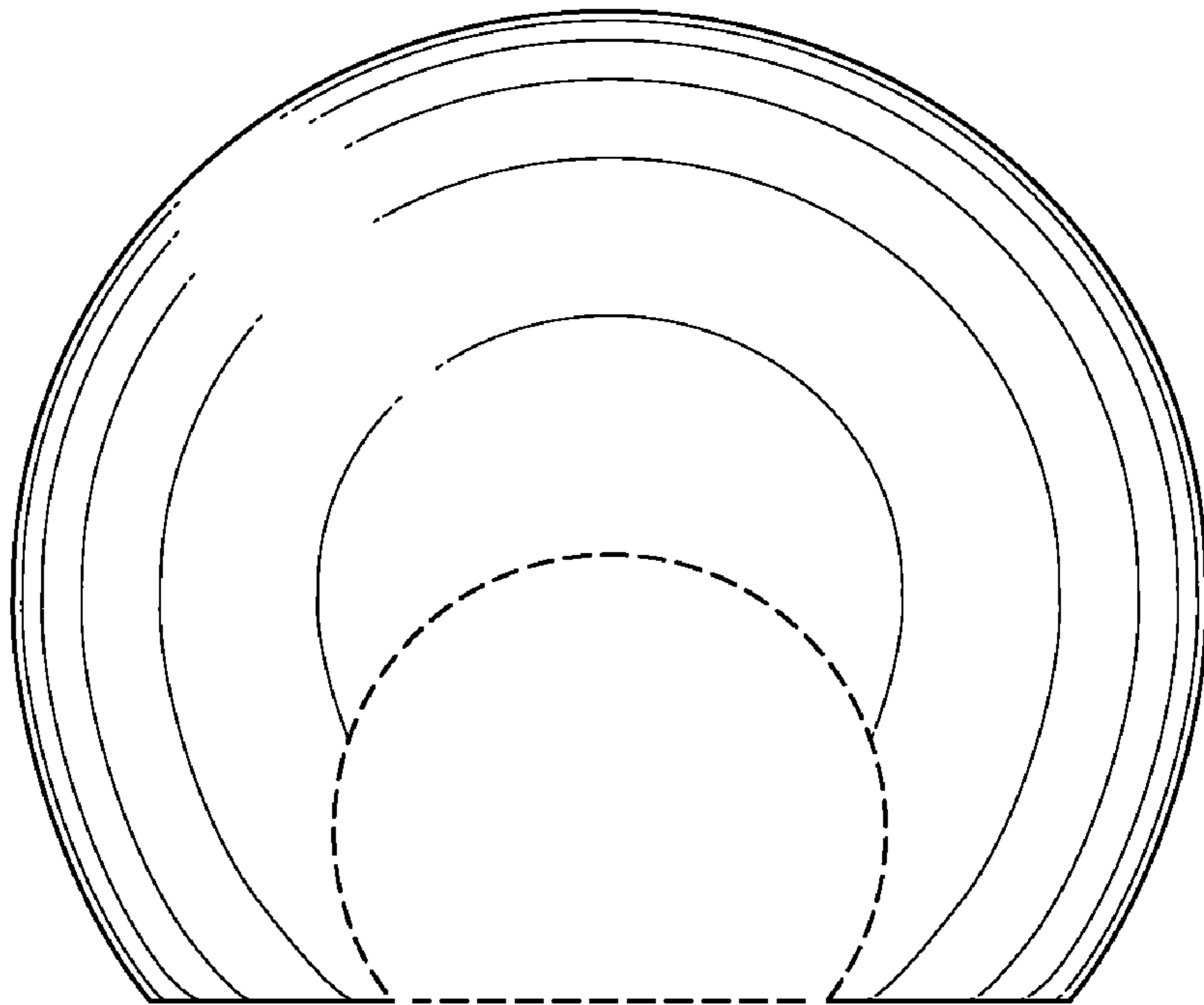


FIG. 5

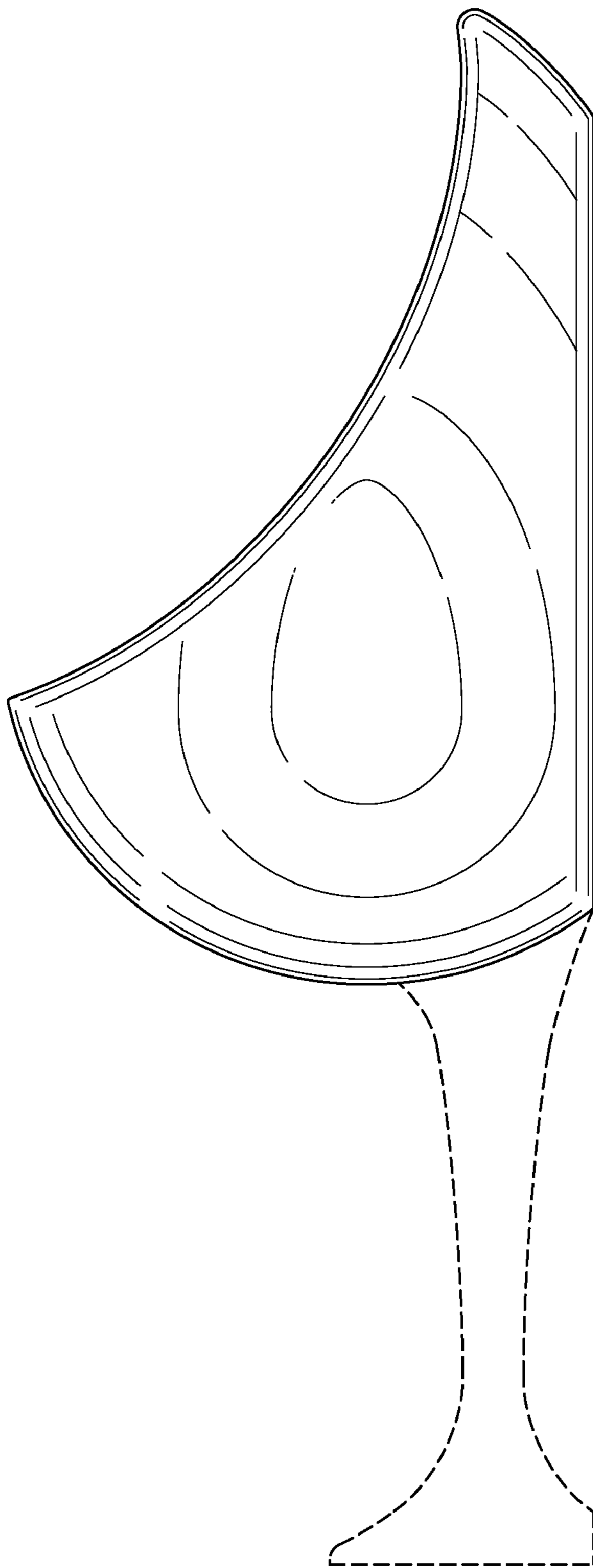


FIG.6