



US00D618322S

(12) **United States Design Patent**
Keller

(10) **Patent No.:** **US D618,322 S**
(45) **Date of Patent:** **** Jun. 22, 2010**

- (54) **URINAL**
- (75) Inventor: **Hans Keller**, Durnten (CH)
- (73) Assignee: **enswico IP AG**, Sarnen (CH)
- (**) Term: **14 Years**
- (21) Appl. No.: **29/317,736**
- (22) Filed: **May 6, 2008**
- (30) **Foreign Application Priority Data**
Nov. 7, 2007 (CH) 134522
- (51) **LOC (9) Cl.** **23-02**
- (52) **U.S. Cl.** **D23/302; D24/122; D7/700**
- (58) **Field of Classification Search** D23/302,
D23/309, 274; 40/301, 310-311, 664-665,
40/DIG. 15; D24/122; D7/700
See application file for complete search history.

- (56) **References Cited**
U.S. PATENT DOCUMENTS
4,276,889 A * 7/1981 Kuntz et al. 4/144.1
5,285,532 A * 2/1994 Sealy 4/144.1

- D345,596 S * 3/1994 Tyler D23/295
- D363,987 S * 11/1995 Hollifield et al. D24/122
- D396,095 S * 7/1998 Tilton et al. D23/302
- 7,325,256 B1 * 2/2008 Pecinka, Sr. 4/144.1
- D602,156 S * 10/2009 Young D24/122

* cited by examiner
Primary Examiner—Robert A Delehanty
(74) *Attorney, Agent, or Firm*—Volpe and Koenig, PC

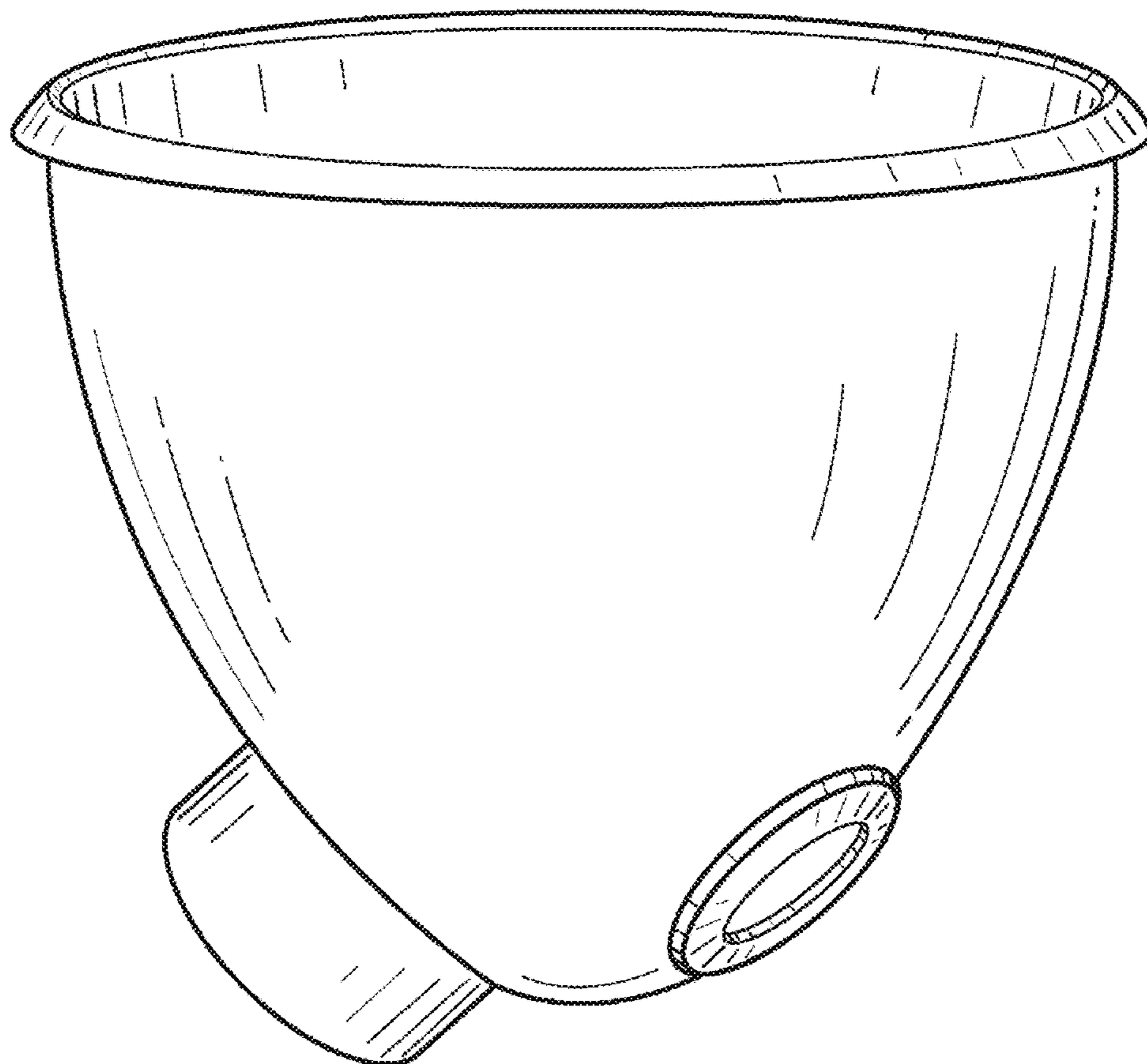
(57) **CLAIM**

The ornamental design for a urinal, as shown and described.

DESCRIPTION

FIG. 1 is a left-front-top perspective view of a urinal according to my new design;
FIG. 2 is a front elevational view thereof;
FIG. 3 is a rear elevational view thereof;
FIG. 4 is a left side elevational view thereof;
FIG. 5 is a right side elevational view thereof;
FIG. 6 is a top view thereof; and,
FIG. 7 is a bottom view thereof.

1 Claim, 7 Drawing Sheets



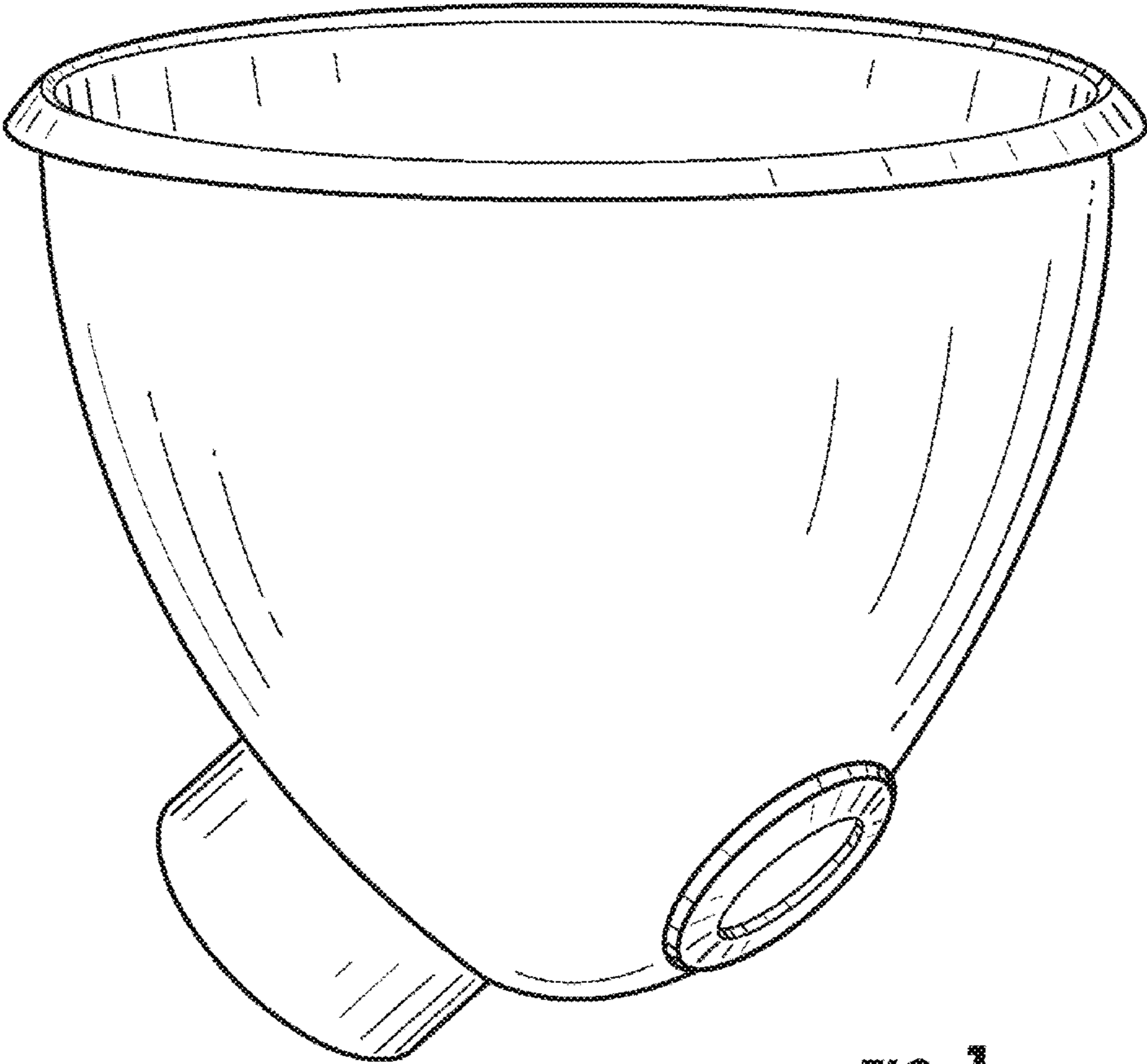


FIG. 1

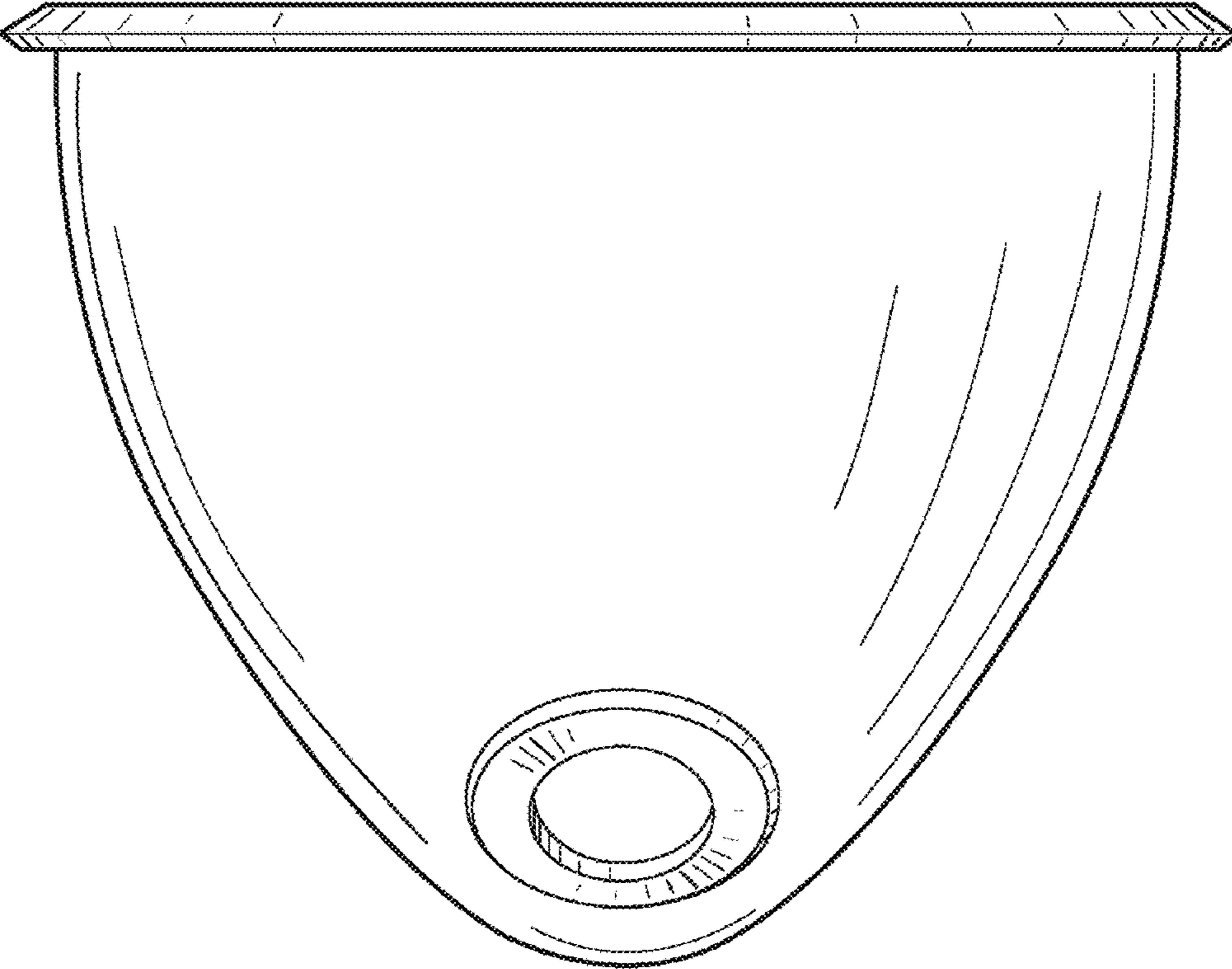
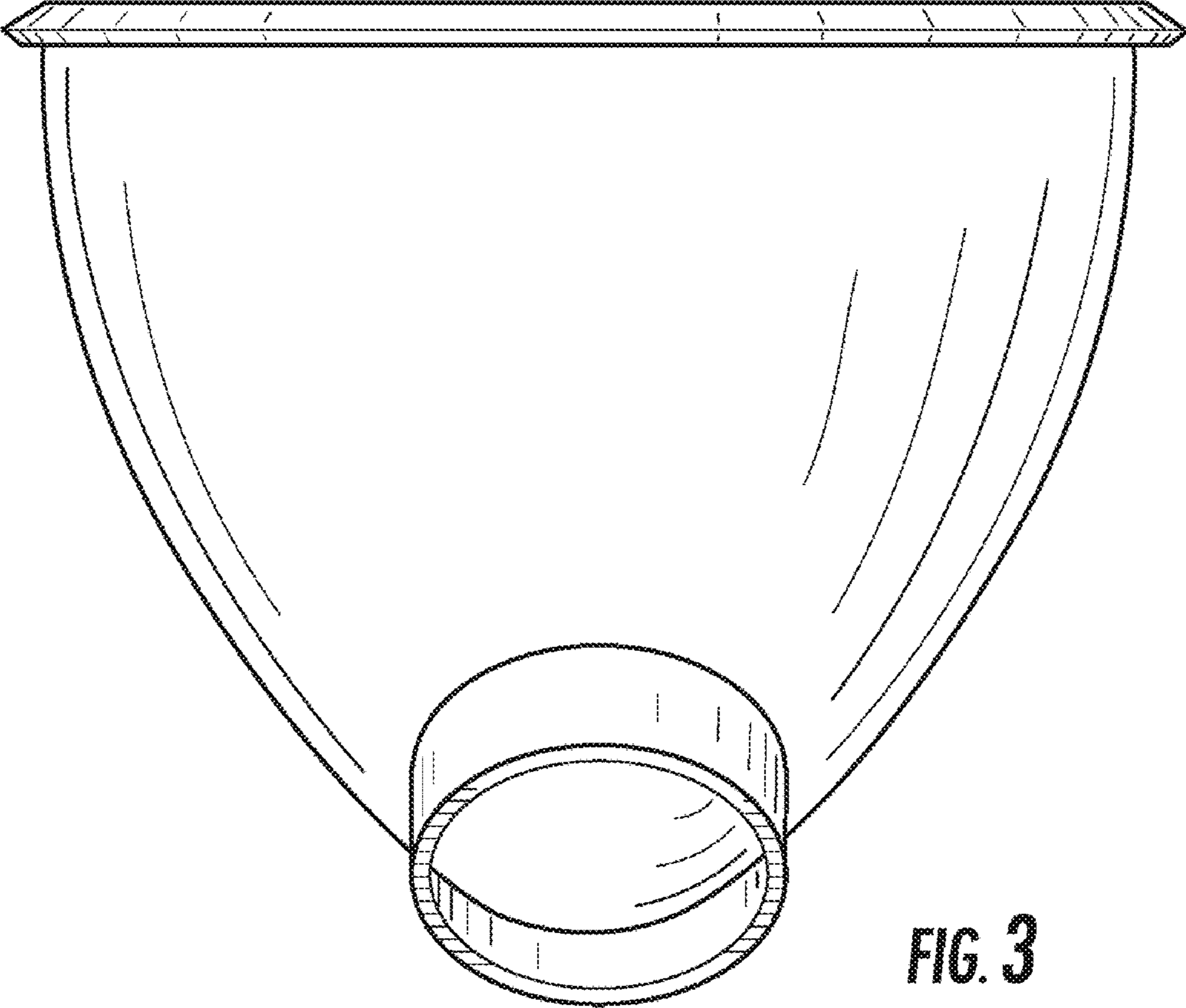


FIG. 2



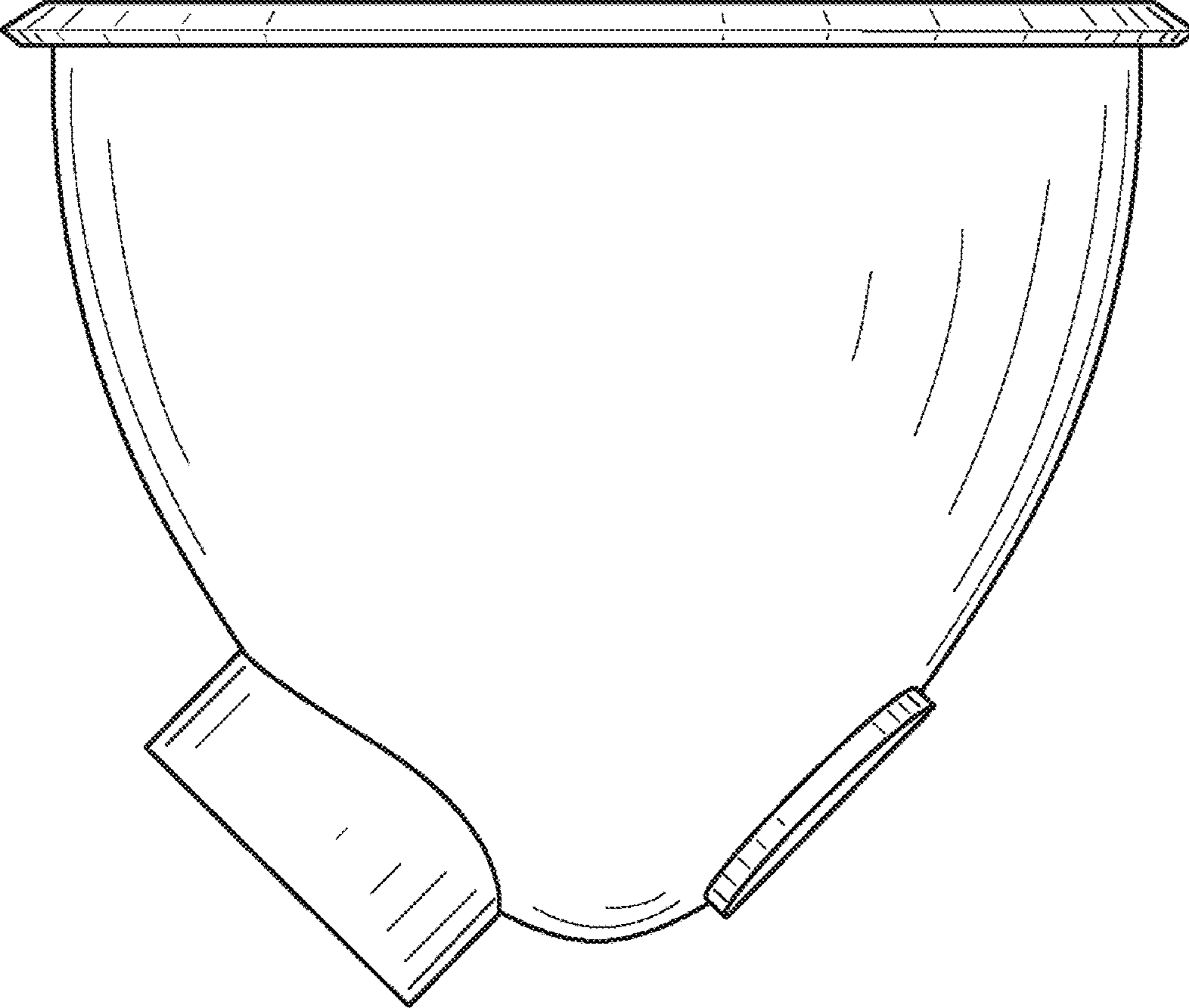


FIG. 4

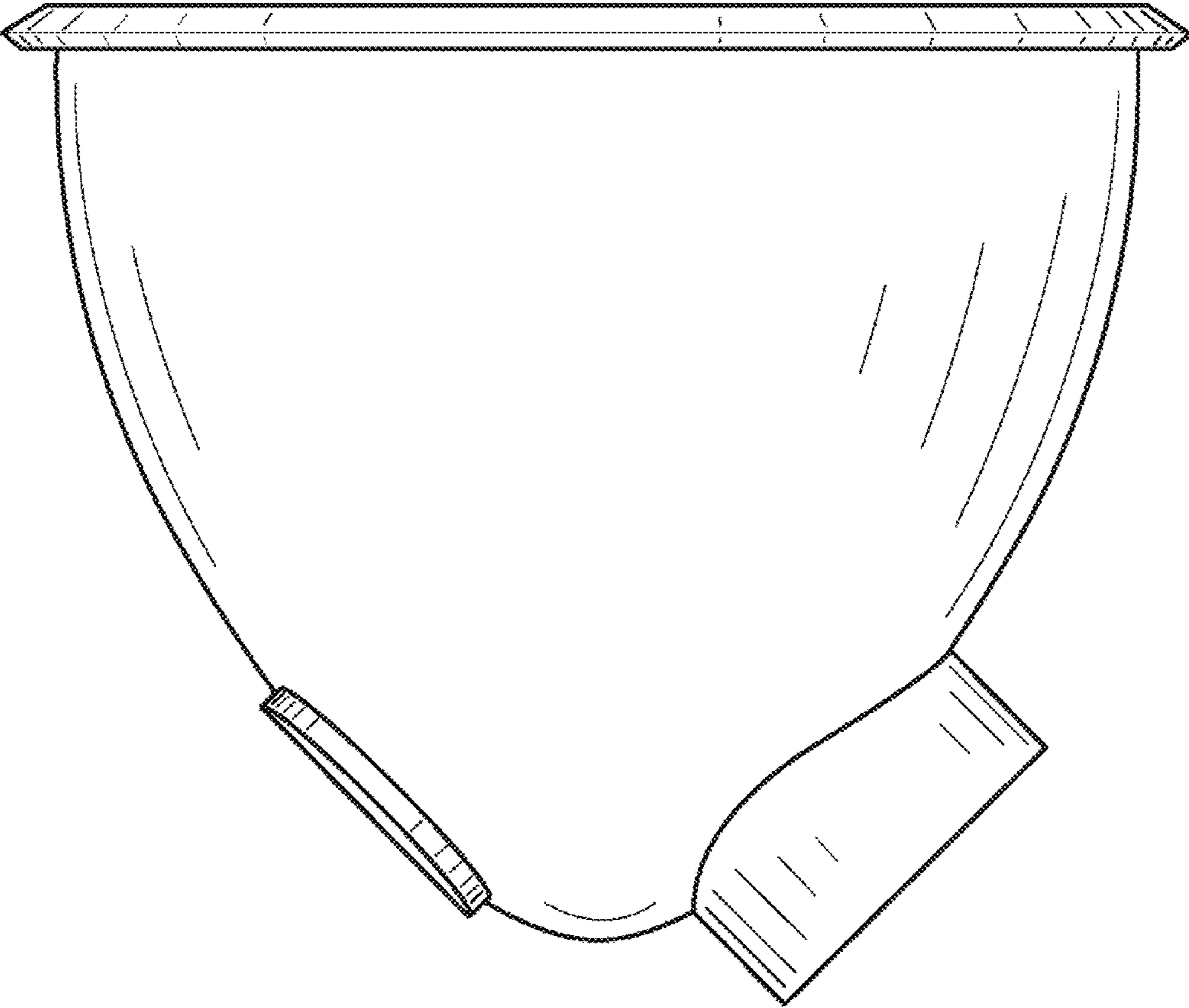


FIG. 5

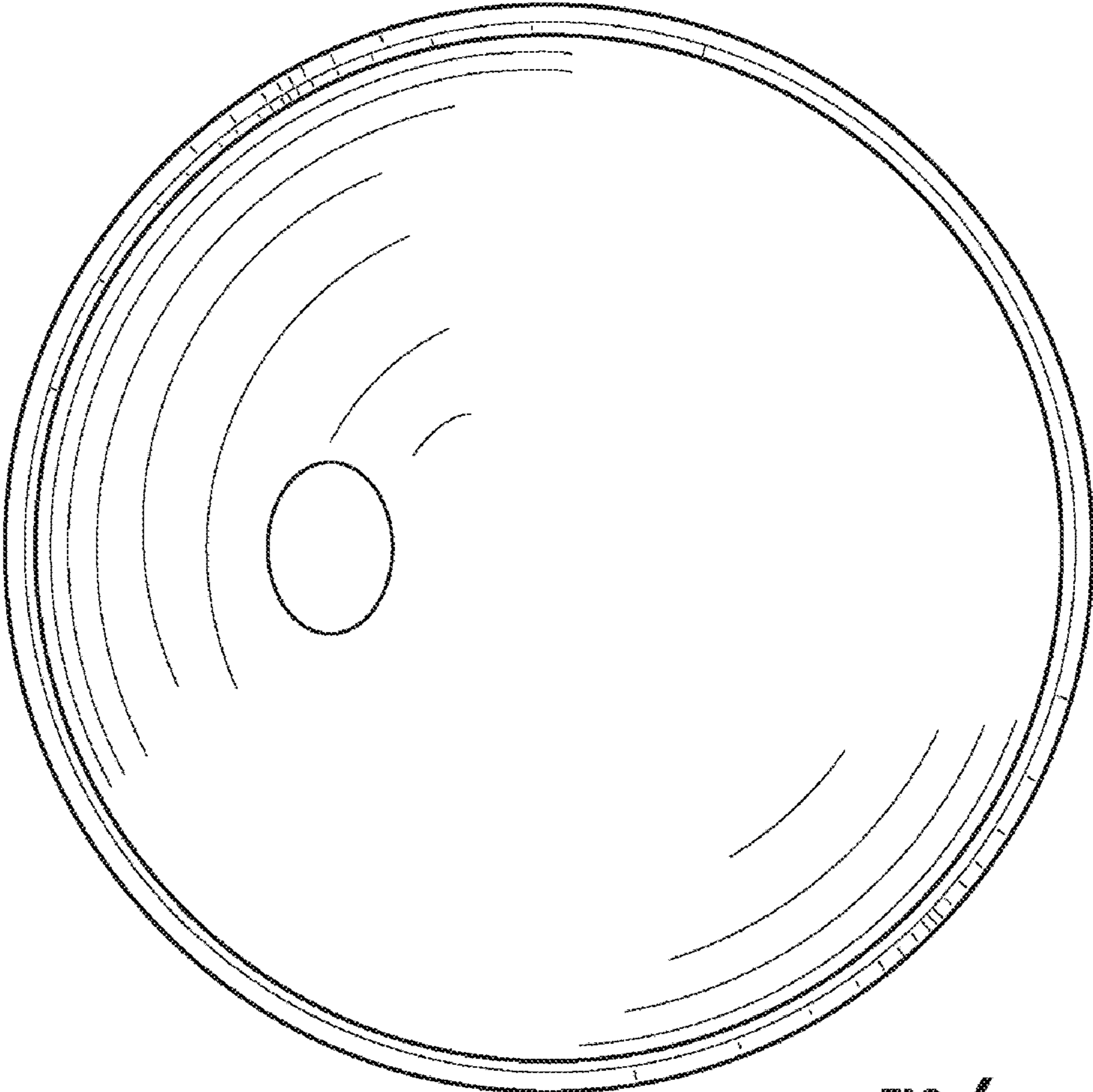


FIG. 6

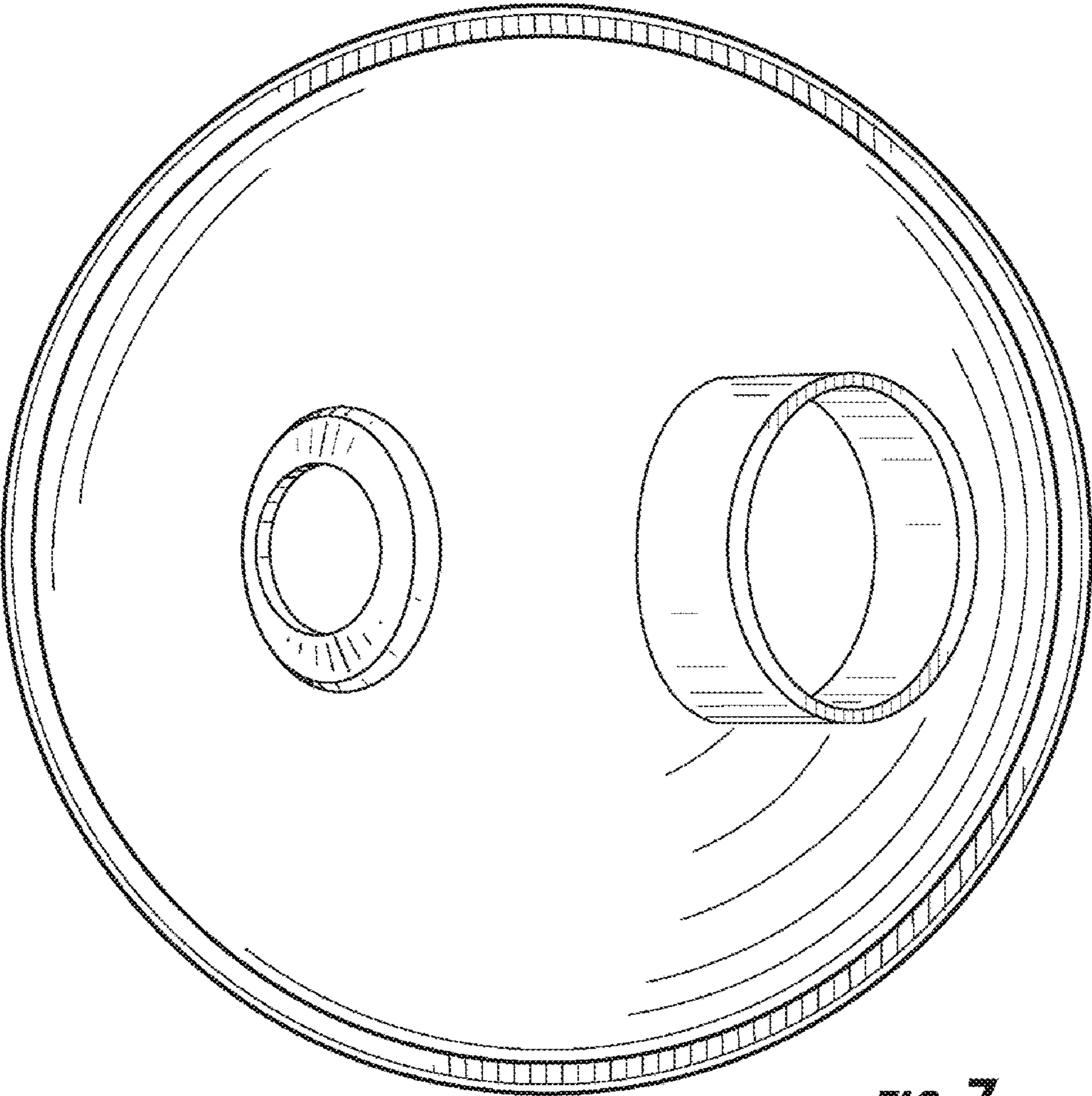


FIG. 7