



US00D618321S

(12) **United States Design Patent**
Yeung

(10) **Patent No.:** **US D618,321 S**

(45) **Date of Patent:** **** Jun. 22, 2010**

(54) **POTTY WITH LADDER**

D570,461 S * 6/2008 Desnos-Simon D23/296

(75) Inventor: **Kwok Lam Yeung**, Kwai Chung (HK)

* cited by examiner

(73) Assignee: **Plastmetic (Hong Kong) Manufactory Ltd.**, Kwai Chung (HK)

Primary Examiner—Robert A Delehanty

(74) *Attorney, Agent, or Firm*—Intellectual Property Law Group LLP; Juneko Jackson; Otto O. Lee

(**) Term: **14 Years**

(57) **CLAIM**

(21) Appl. No.: **29/338,287**

The ornamental design for a potty with ladder, as shown and described.

(22) Filed: **Jun. 8, 2009**

(51) **LOC (9) Cl.** **23-02**

(52) **U.S. Cl.** **D23/296**

(58) **Field of Classification Search** D23/273–274,
D23/295, 301, 303, 309, 313; 4/300, 329,
4/353, 420; D25/62

See application file for complete search history.

DESCRIPTION

FIG. 1 is a top perspective view of a potty with ladder embodying my new design;

FIG. 2 is a bottom perspective view thereof;

FIG. 3 is a front elevational view thereof;

FIG. 4 is a rear elevational view thereof;

FIG. 5 is a right side elevational view, the left side elevational view being a mirror image thereof;

FIG. 6 is a top plan view thereof; and,

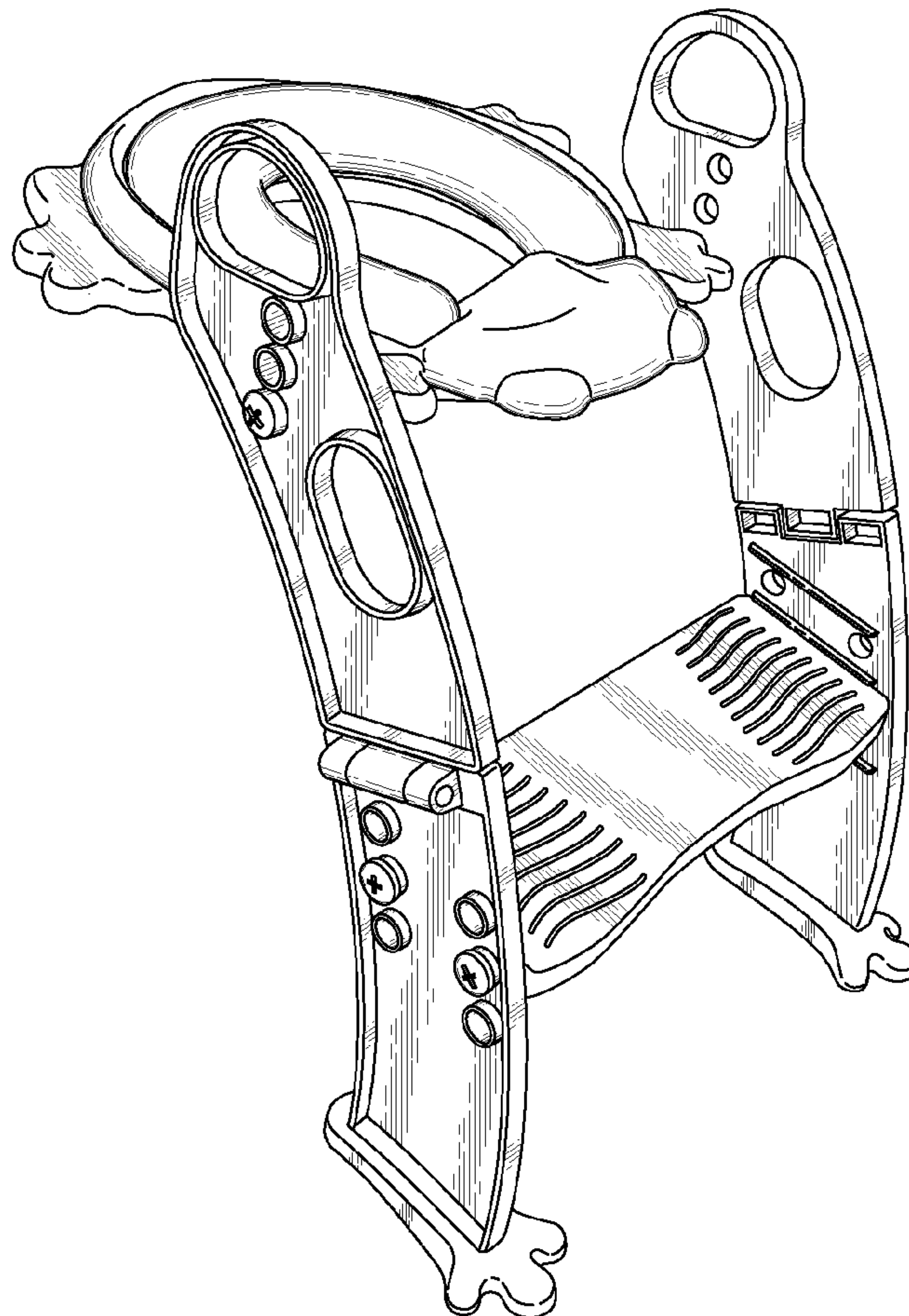
FIG. 7 is a bottom plan view thereof.

(56) **References Cited**

U.S. PATENT DOCUMENTS

- D284,023 S * 5/1986 Lipski D23/296
- D294,779 S * 3/1988 Cosby D25/62
- D307,629 S * 5/1990 Takahashi et al. D23/296
- D310,869 S * 9/1990 Sedlack D23/296

1 Claim, 4 Drawing Sheets



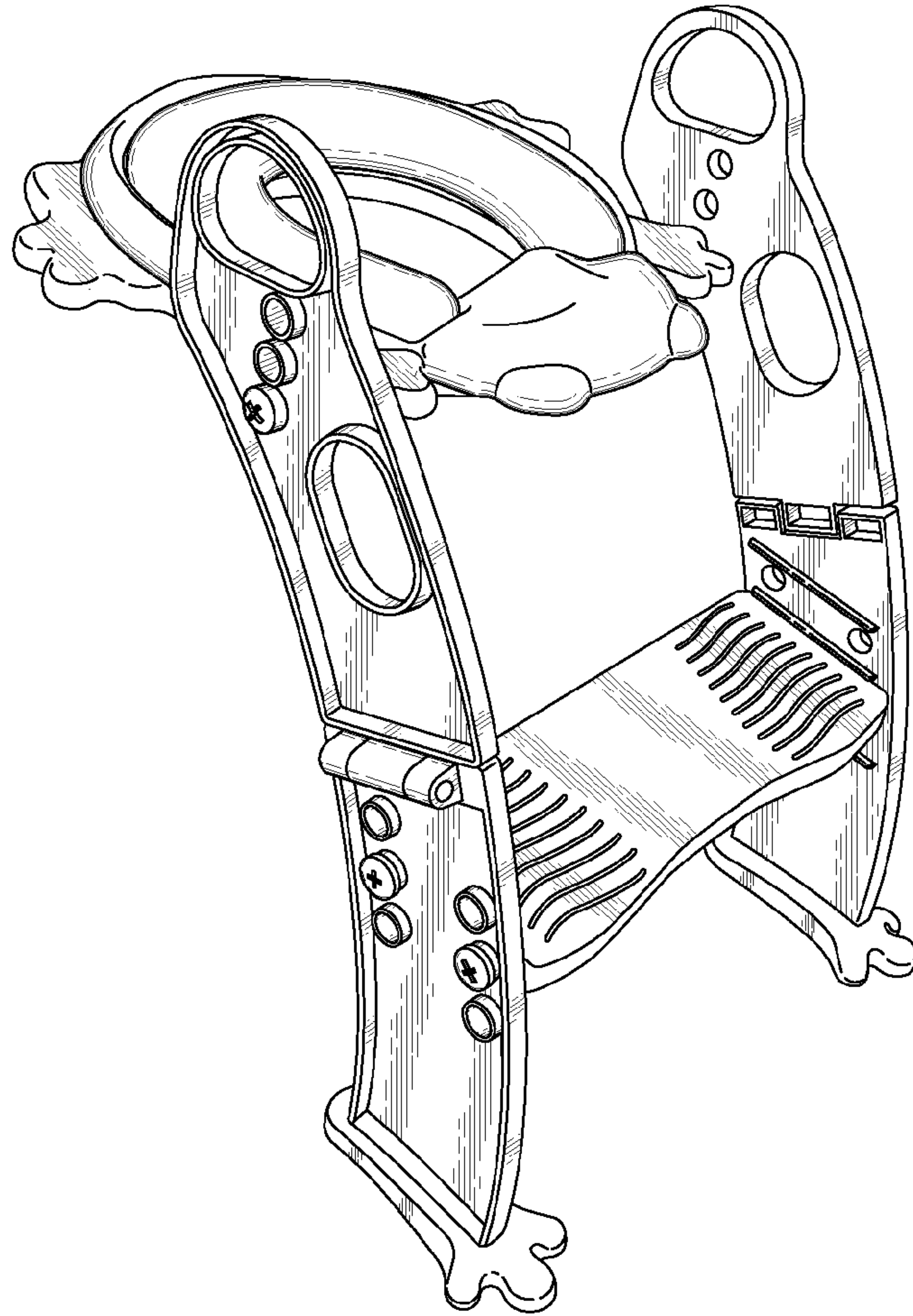


FIG. 1

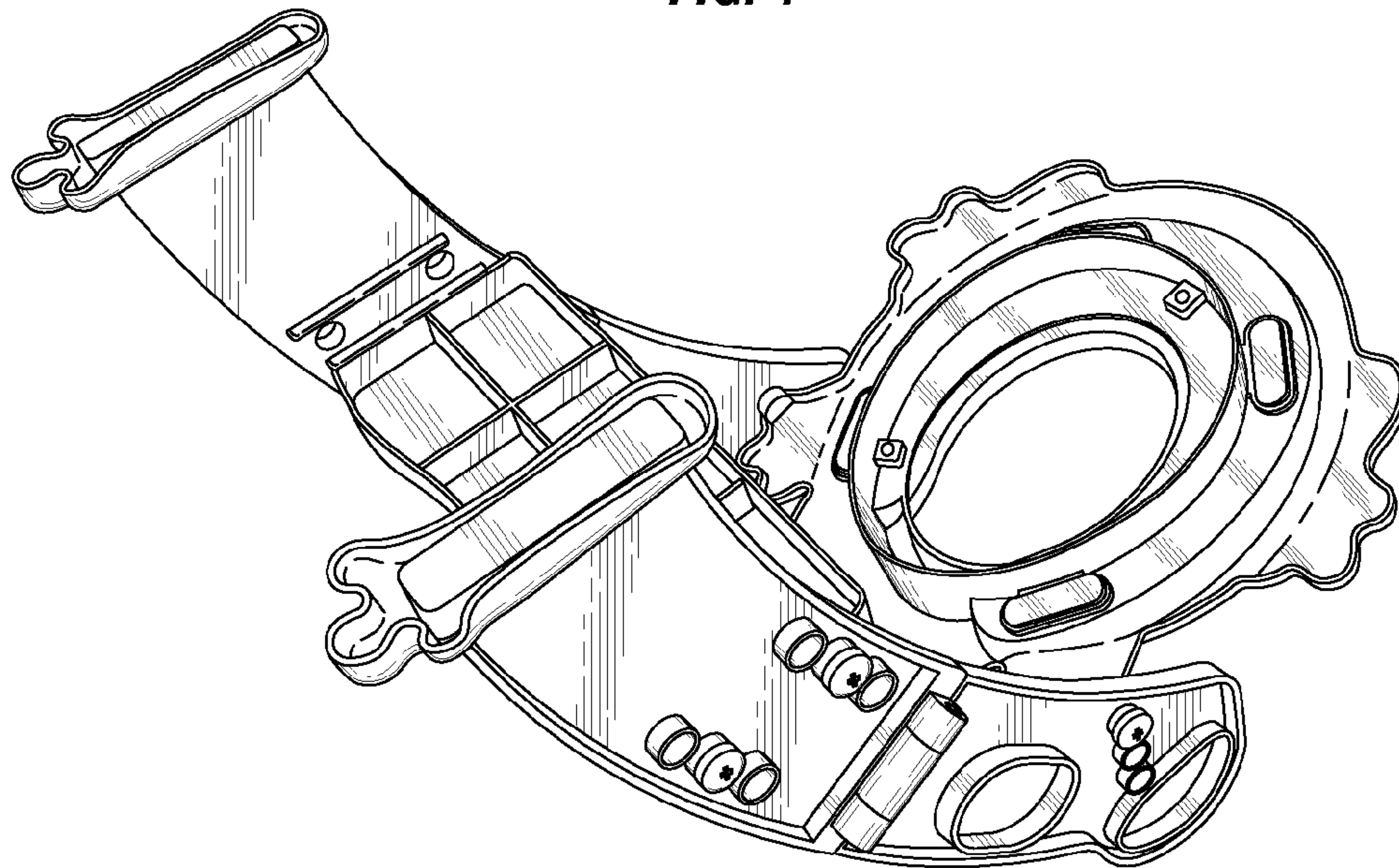


FIG. 2

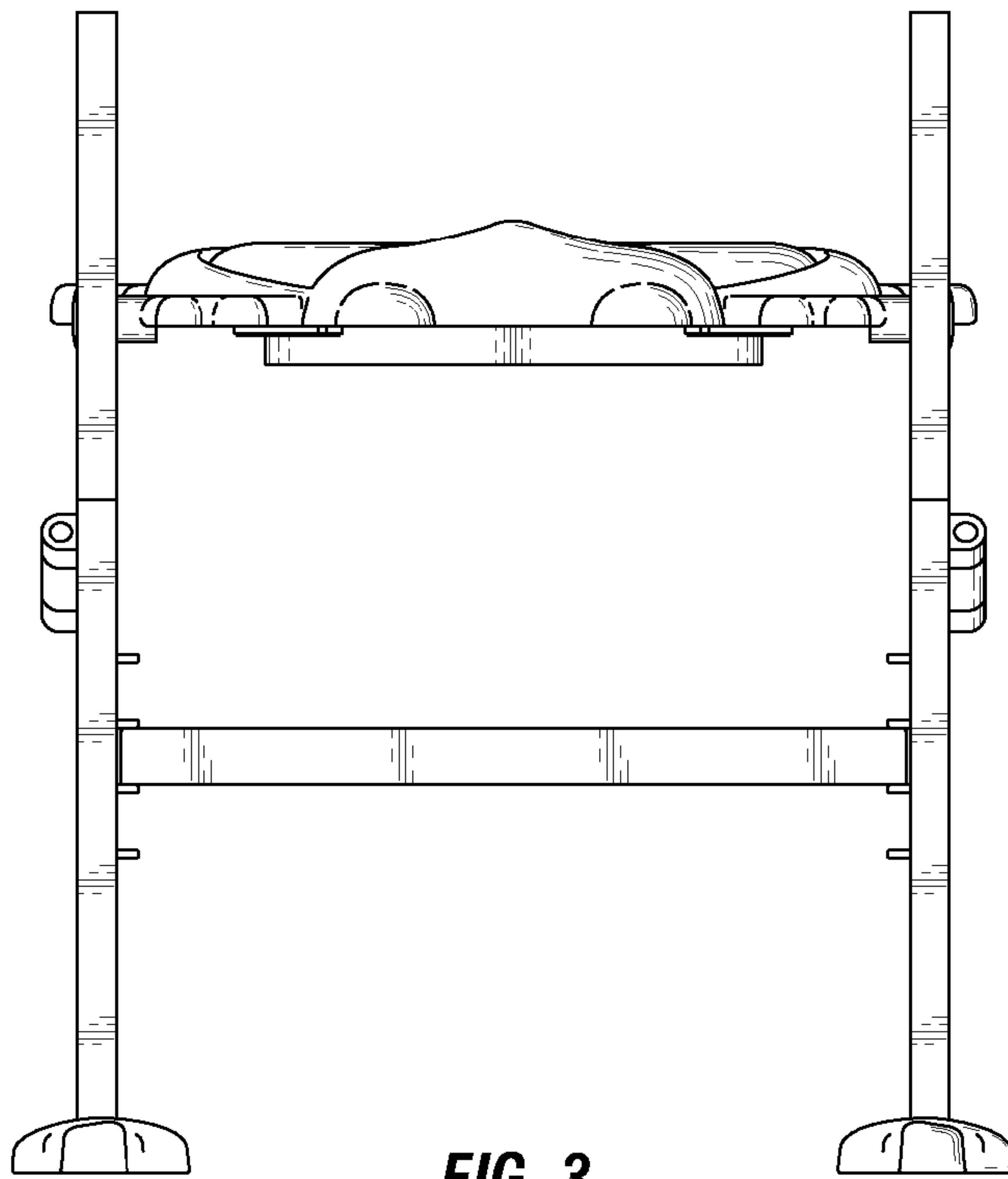


FIG. 3

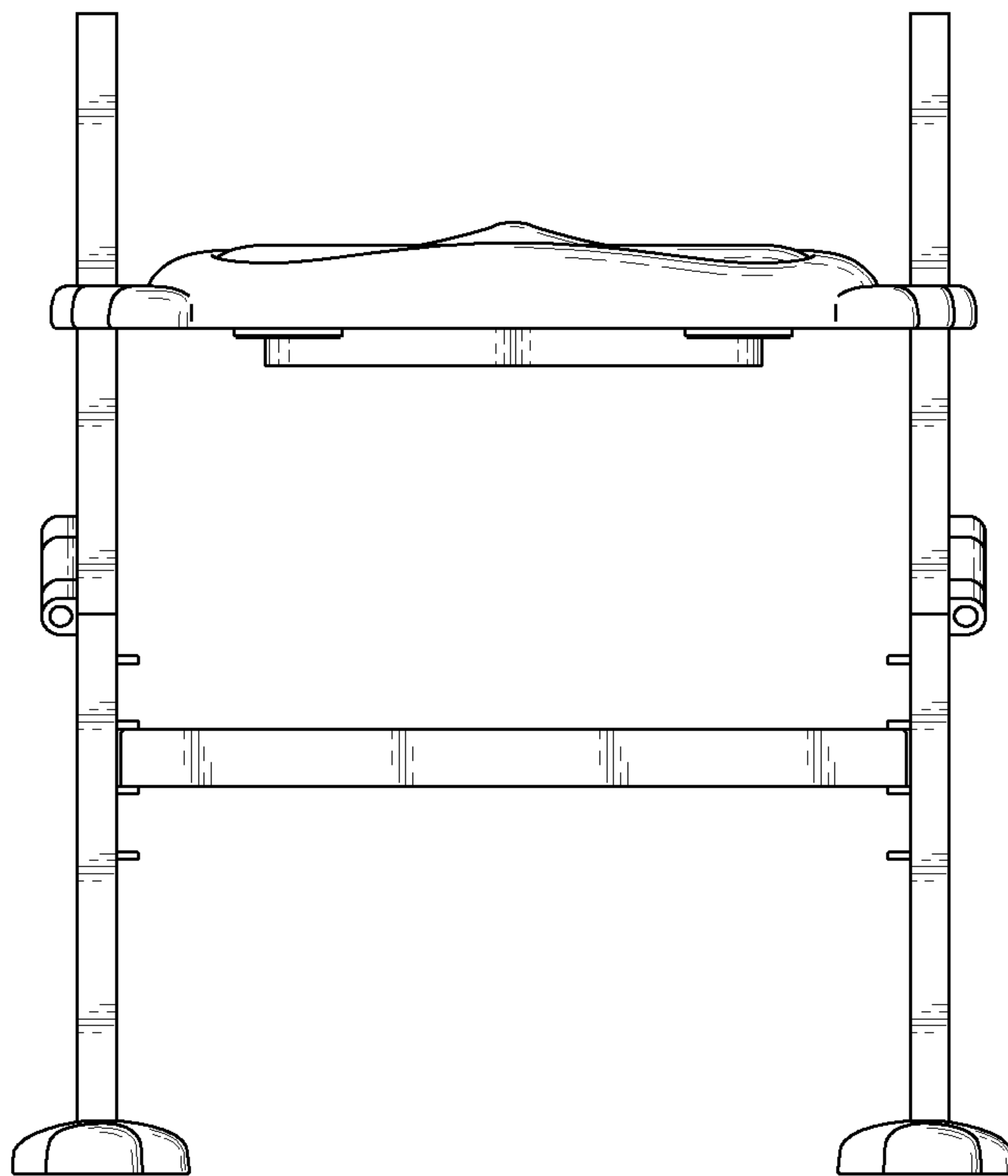
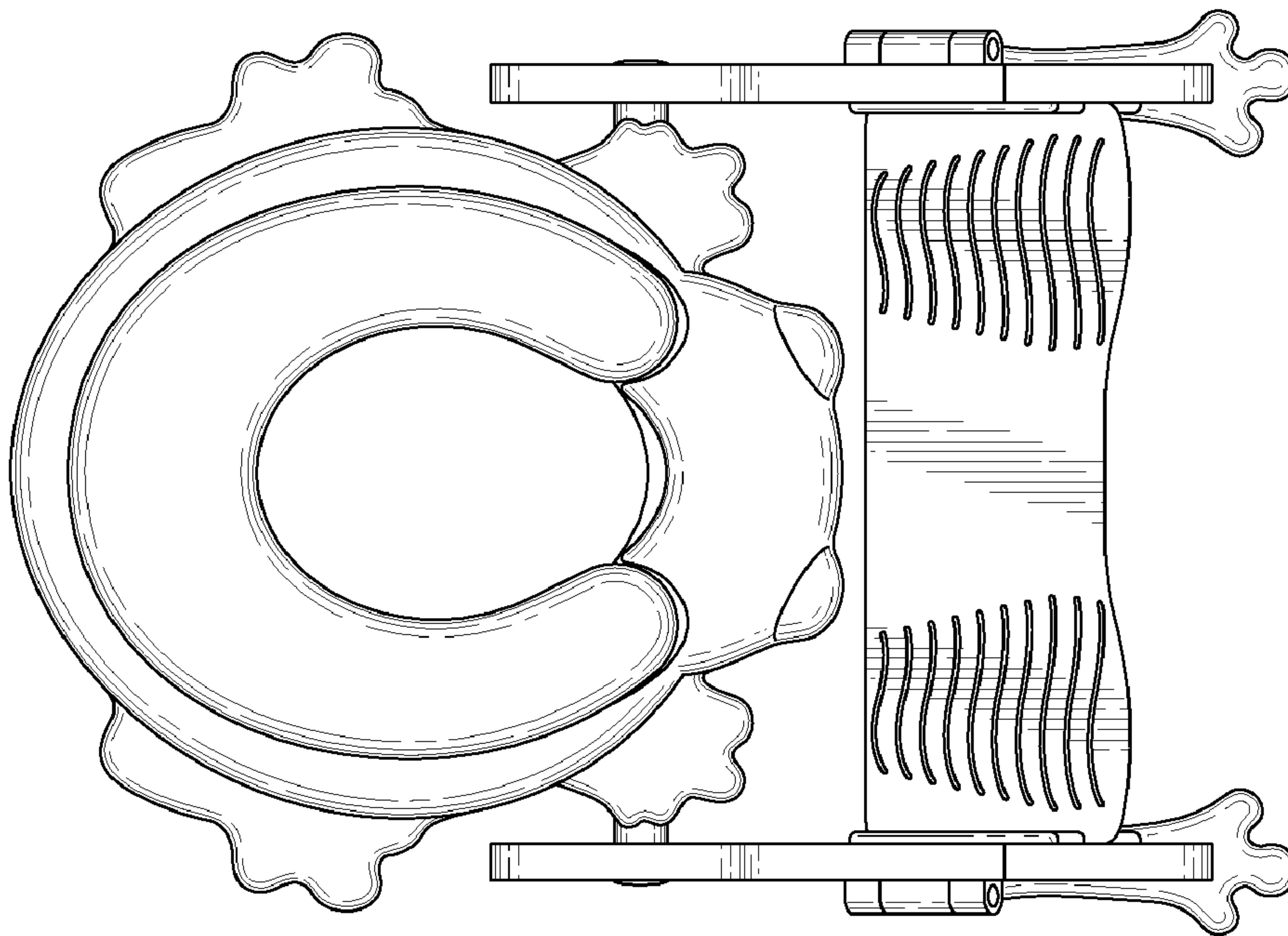
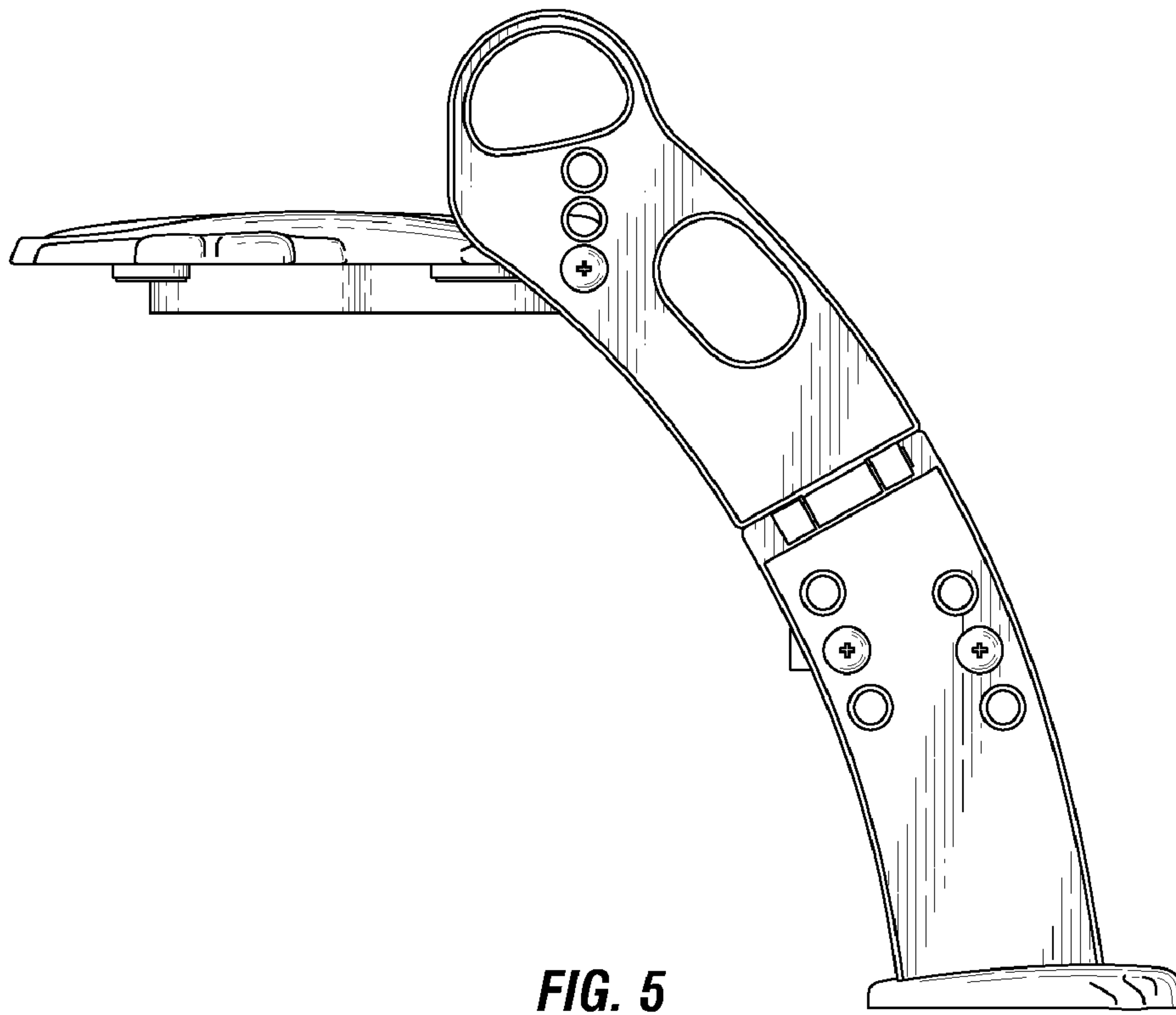


FIG. 4



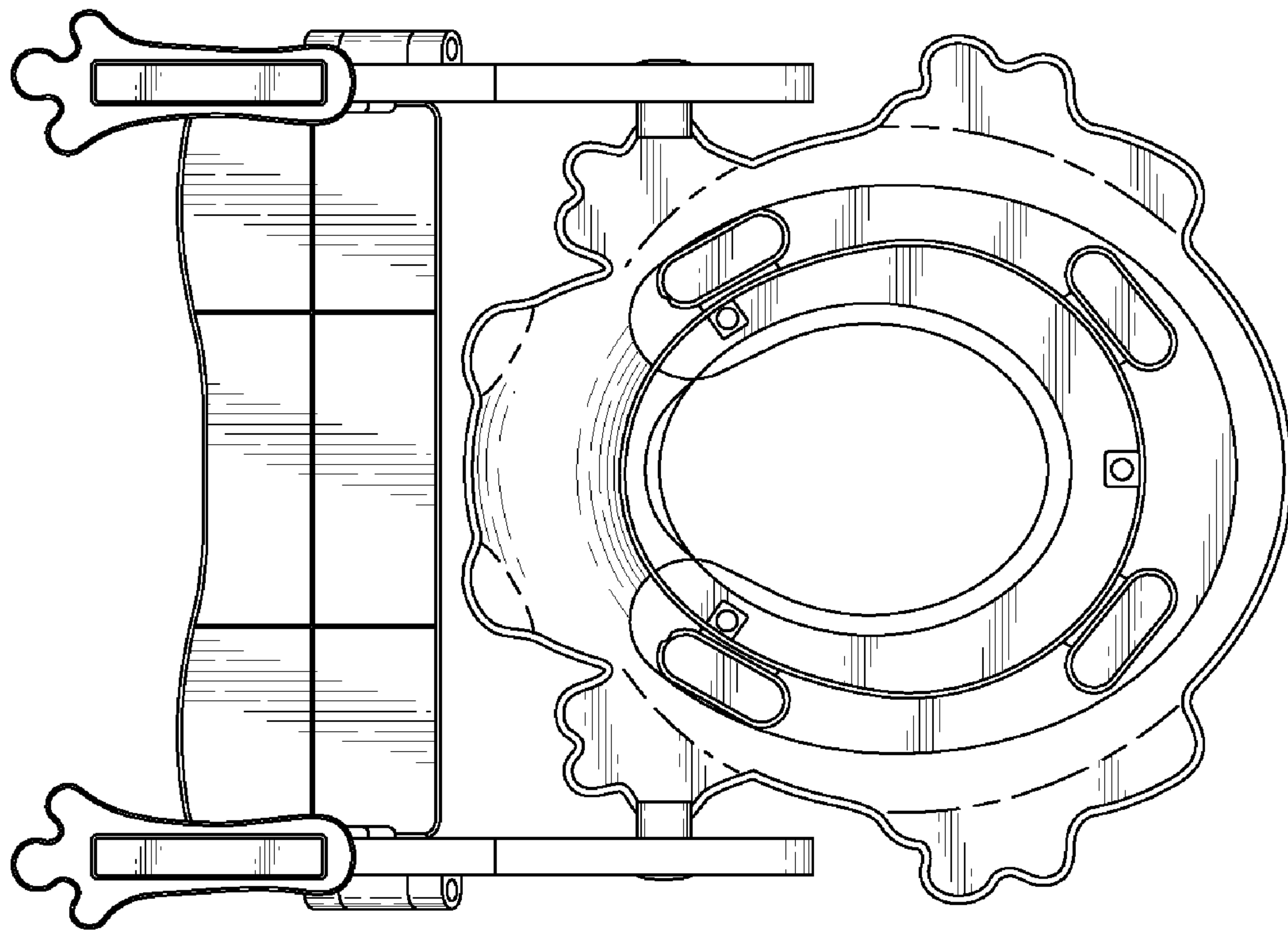


FIG. 7