



US00D618308S

(12) **United States Design Patent**
Nies et al.

(10) **Patent No.:** **US D618,308 S**
(45) **Date of Patent:** **** Jun. 22, 2010**

(54) **STACKABLE SPRINKLER**
(75) Inventors: **Juergen Nies**, Winchester, VA (US);
Vicky Ann Michael, Winchester, VA
(US); **Ha Van Duong**, Winchester, VA
(US); **Richard King Boyle**, Winchester,
VA (US)
(73) Assignee: **Melnor, Inc.**, Winchester, VA (US)

D469,849 S 2/2003 Nien
D470,218 S 2/2003 Alkalay et al.
6,520,430 B2 2/2003 Chao
D479,574 S 9/2003 Nien
D500,122 S 12/2004 Schapper
D540,429 S 4/2007 Barmore
D541,376 S 4/2007 Barmore
D554,736 S 11/2007 Cheng
D554,737 S 11/2007 Lo

(**) Term: **14 Years**

(Continued)

(21) Appl. No.: **29/356,288**

OTHER PUBLICATIONS

(22) Filed: **Feb. 23, 2010**

melnor.com/sprinklers-oscillating.php, Online Catalogue of Oscil-
lating Sprinklers, 2008, pp. 1-2.

Related U.S. Application Data

Primary Examiner—Robin V Webster
(74) *Attorney, Agent, or Firm*—Westerman, Hattori, Daniels
& Adrian, LLP

(62) Division of application No. 29/338,504, filed on Jun.
12, 2009, now Pat. No. Des. 613,371.

(51) **LOC (9) Cl.** **23-01**

(52) **U.S. Cl.** **D23/221**; D23/216

(58) **Field of Classification Search** D23/214,
D23/216, 221; 239/273, 276, 242
See application file for complete search history.

(57) **CLAIM**

The ornamental design for a stackable sprinkler, as shown and
described.

(56) **References Cited**

DESCRIPTION

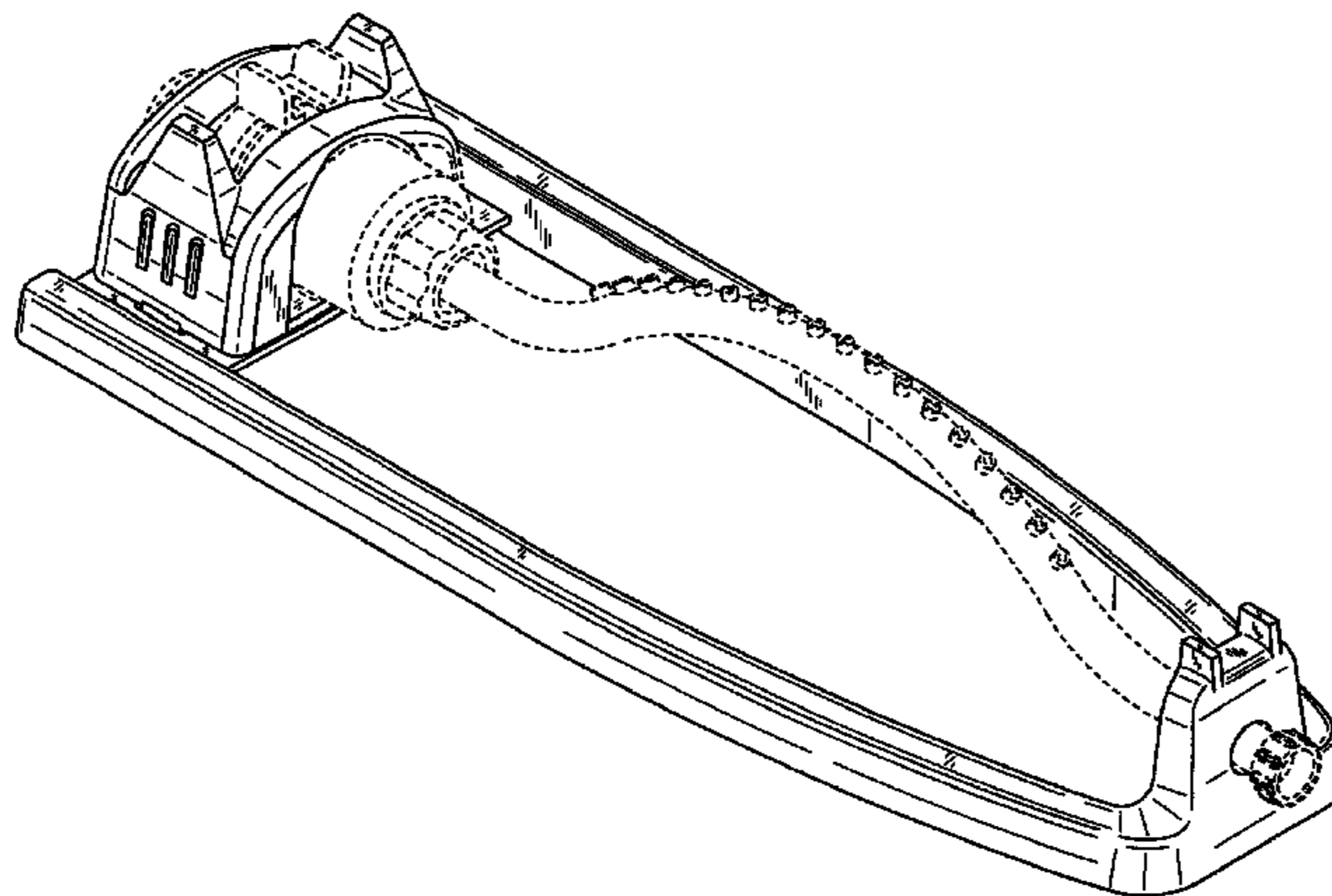
U.S. PATENT DOCUMENTS

D165,756 S 1/1952 Ingham et al.
D178,782 S 9/1956 Jepson
D218,970 S 10/1970 Mango et al.
D218,971 S 10/1970 Mango et al.
D351,214 S 10/1994 Clivio
D366,308 S 1/1996 Goodman et al.
D371,596 S 7/1996 Simonetti
D383,193 S 9/1997 Heren et al.
D387,127 S 12/1997 Guo
D422,052 S 3/2000 Heren
D422,681 S 4/2000 Heren
D427,281 S 6/2000 Guo
D440,629 S 4/2001 Guo
D447,537 S 9/2001 Chao
D447,538 S 9/2001 Chao
D458,983 S 6/2002 Chen
D459,436 S 6/2002 Chao

FIG. 1 is a right, front perspective view of a stackable sprin-
kler;
FIG. 2 is a bottom right, front perspective view thereof;
FIG. 3 is a right-side, elevational view thereof;
FIG. 4 is a top, plan view thereof;
FIG. 5 is a bottom, plan view thereof;
FIG. 6 is a rear, elevational view thereof;
FIG. 7 is a front, elevational view thereof;
FIG. 8 is a cross-sectional view taken along line 8—8 in FIG.
3; and,
FIG. 9 is a cross-sectional view taken along line 9—9 in FIG.
3.

The broken lines in the drawings illustrate environmental
structure and form no part of the claimed design.

1 Claim, 9 Drawing Sheets



US D618,308 S

Page 2

U.S. PATENT DOCUMENTS

D554,739 S	11/2007	Lo	D555,228 S	11/2007	Cheng
D554,740 S	11/2007	Lo	D559,352 S	1/2008	Lo
			D597,628 S	8/2009	Goetz
			2008/0054103 A1	3/2008	Nies et al.

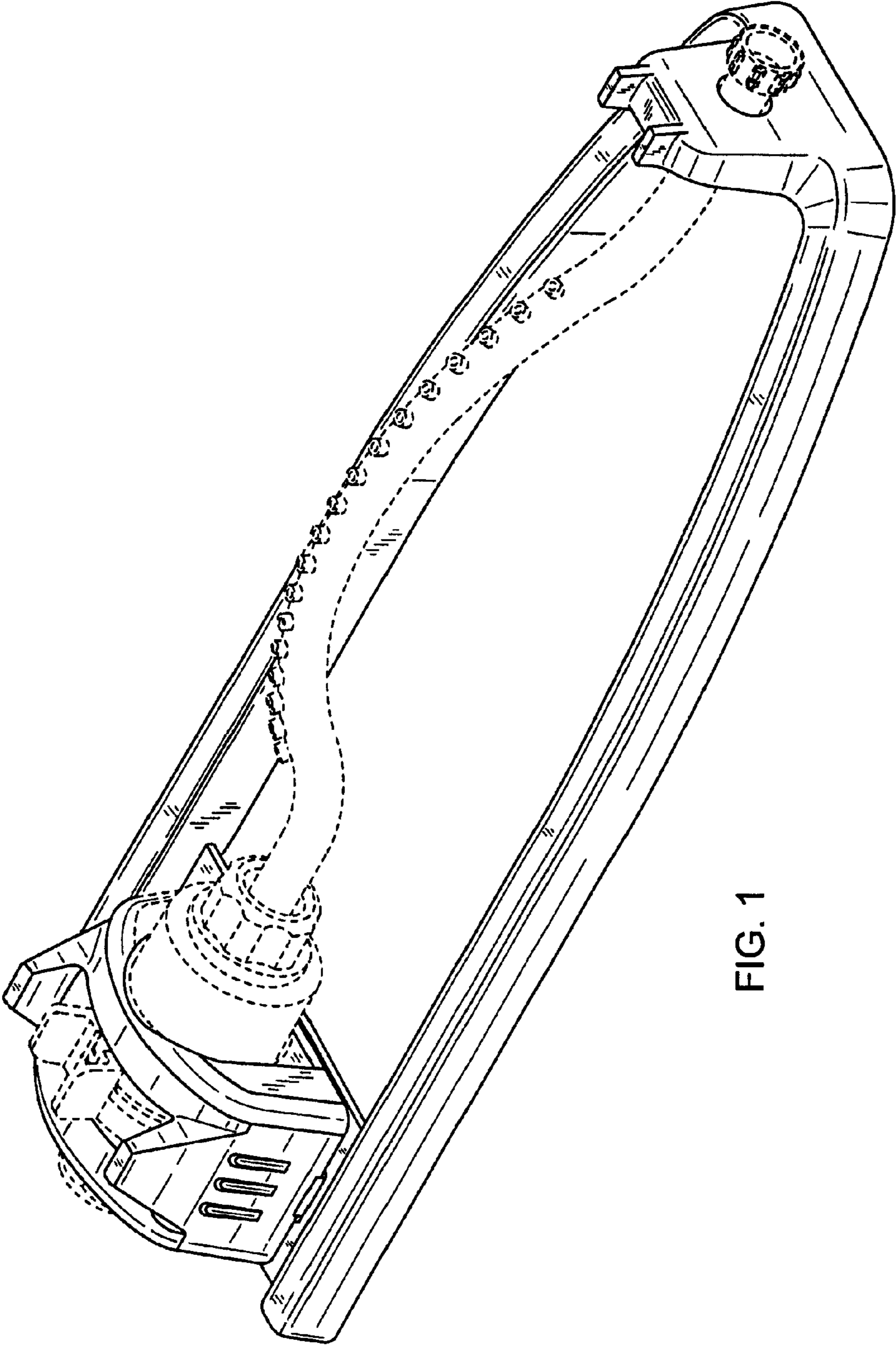


FIG. 1

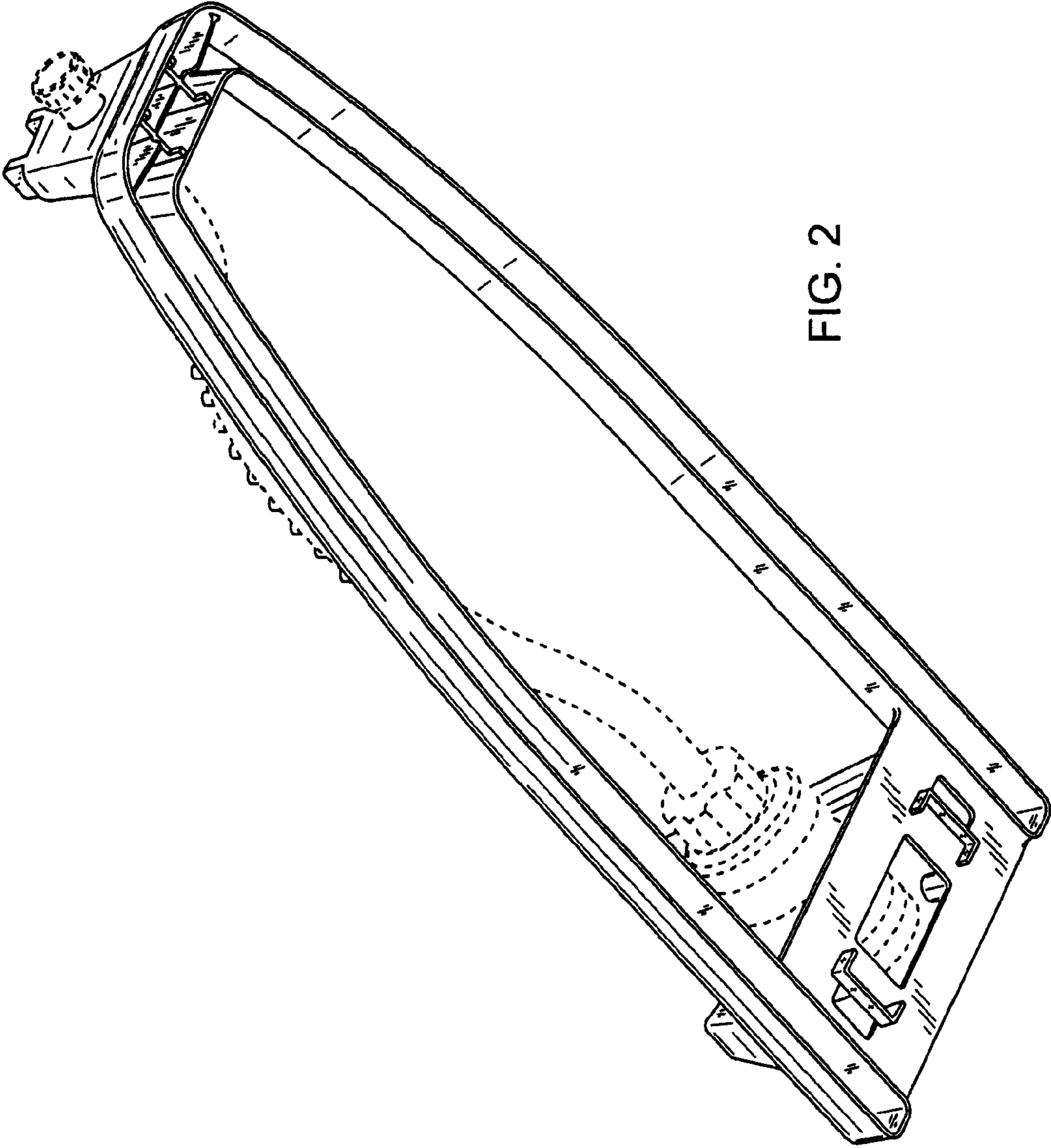


FIG. 2

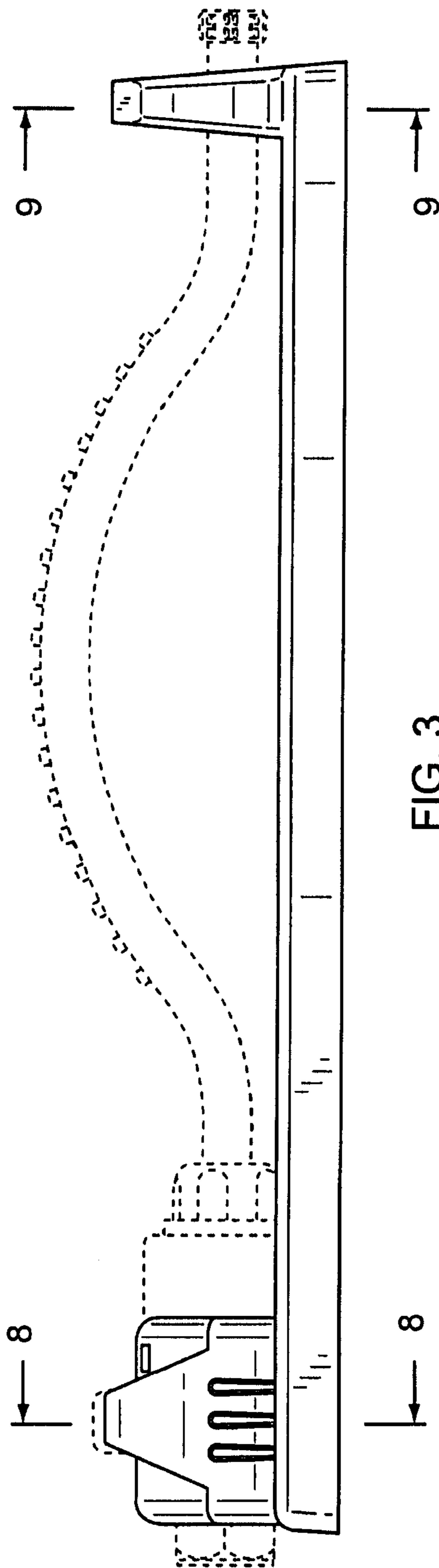


FIG. 3

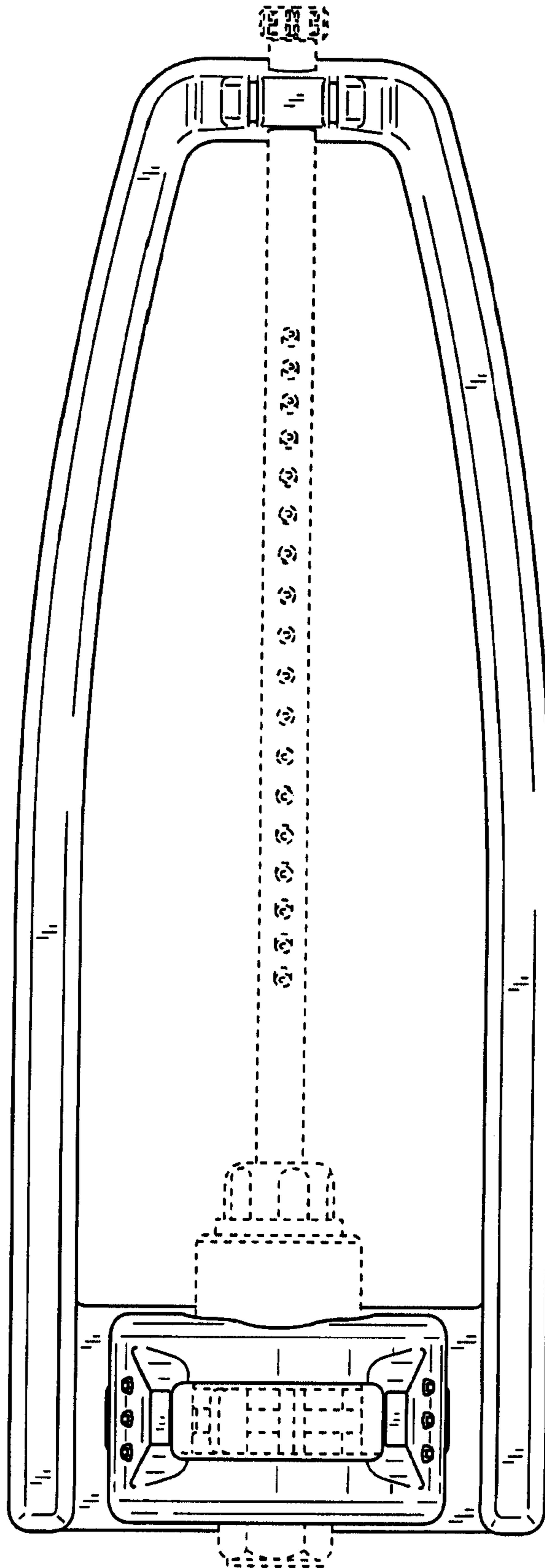


FIG. 4

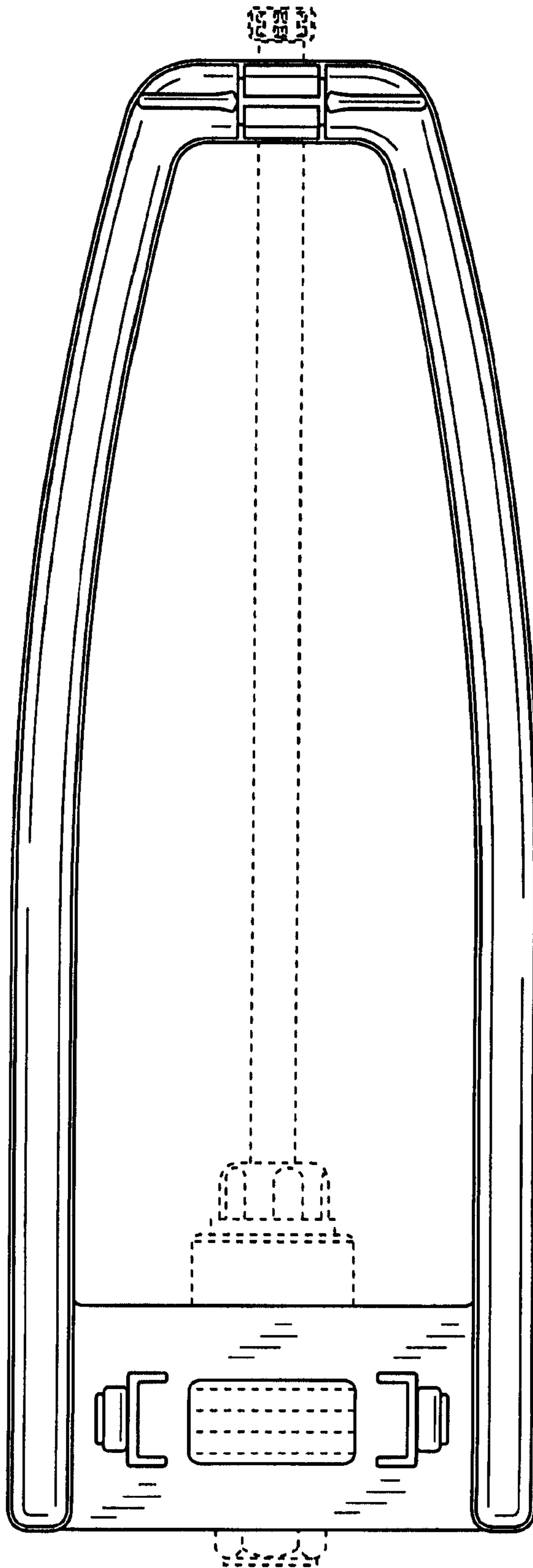


FIG. 5

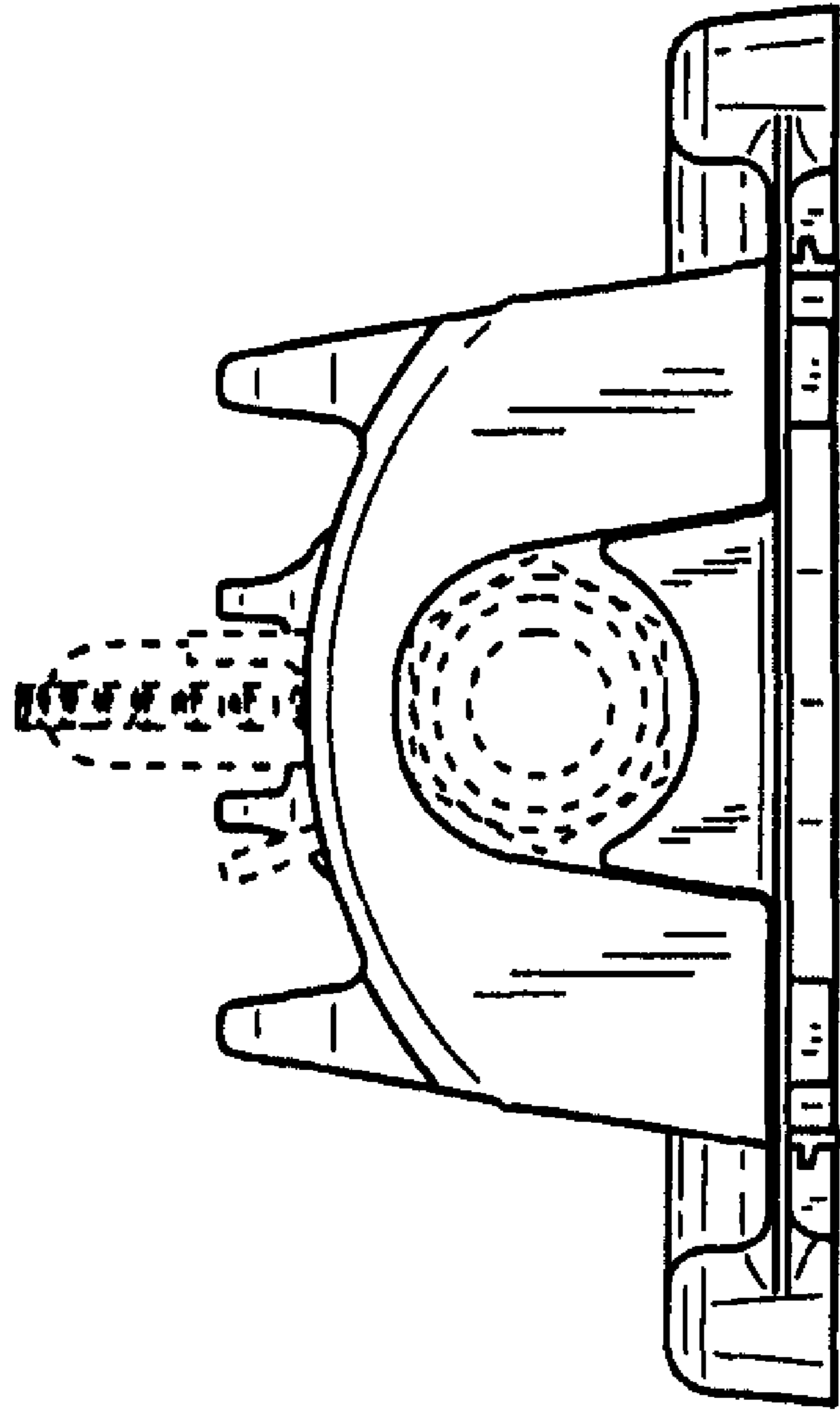


FIG. 6

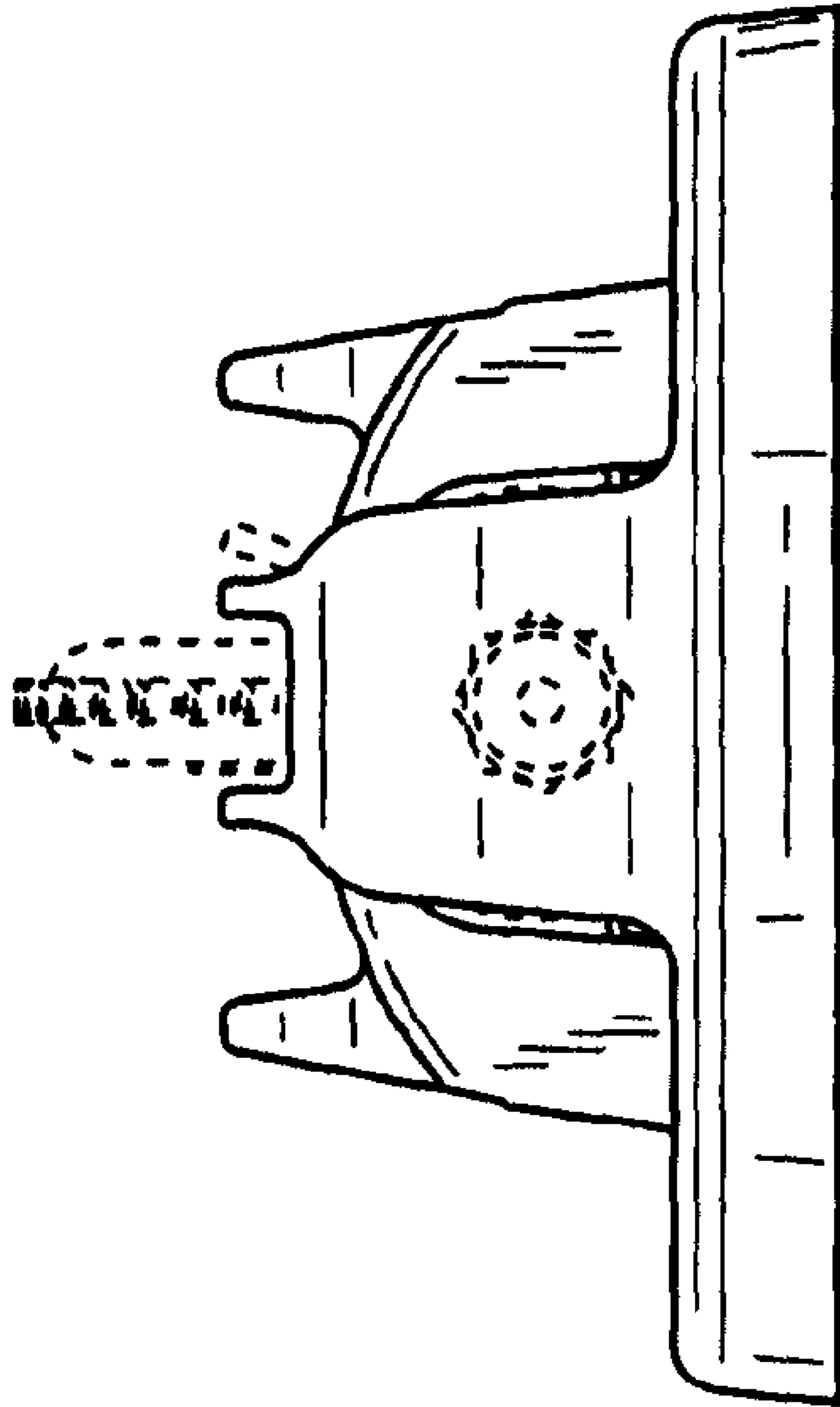


FIG. 7

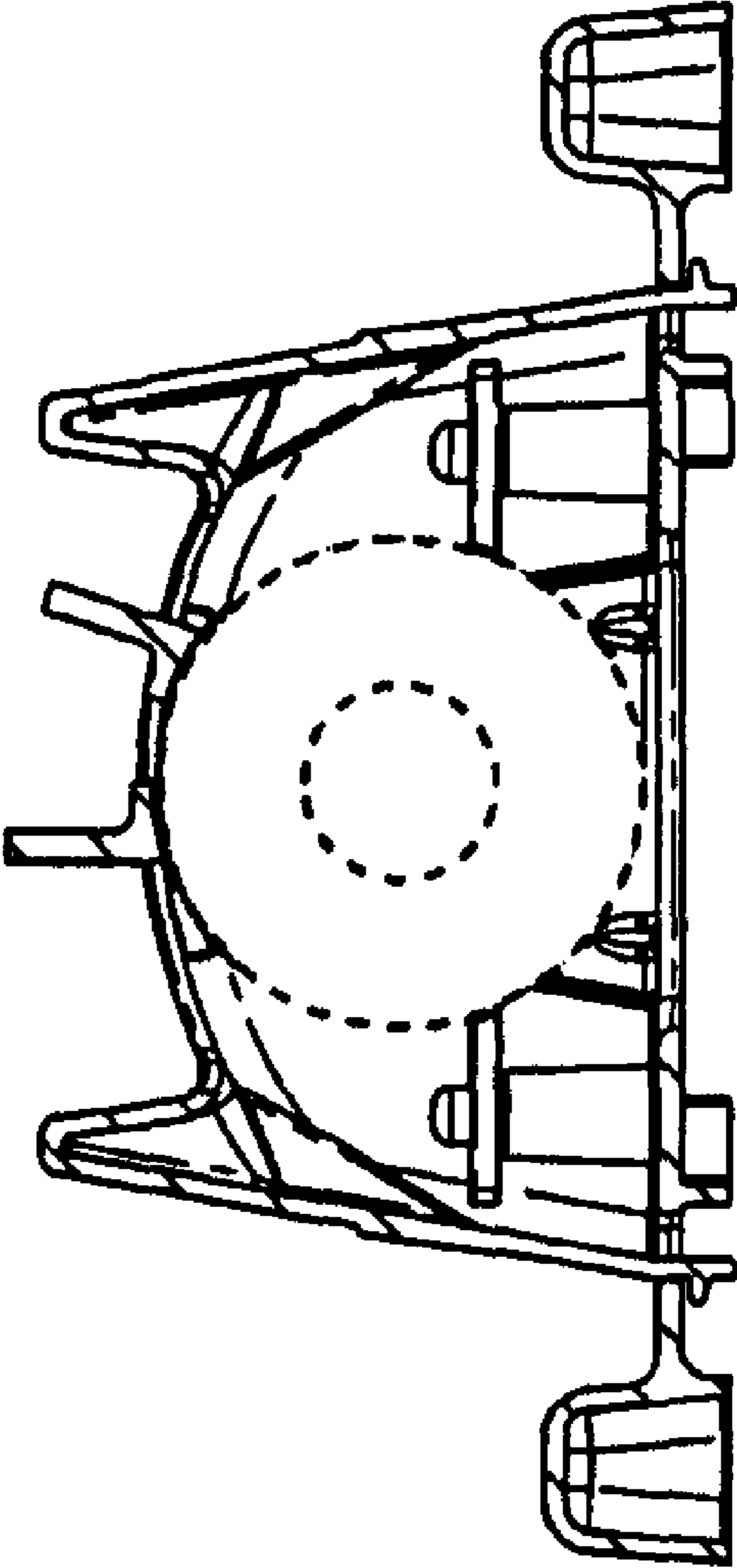


FIG. 8

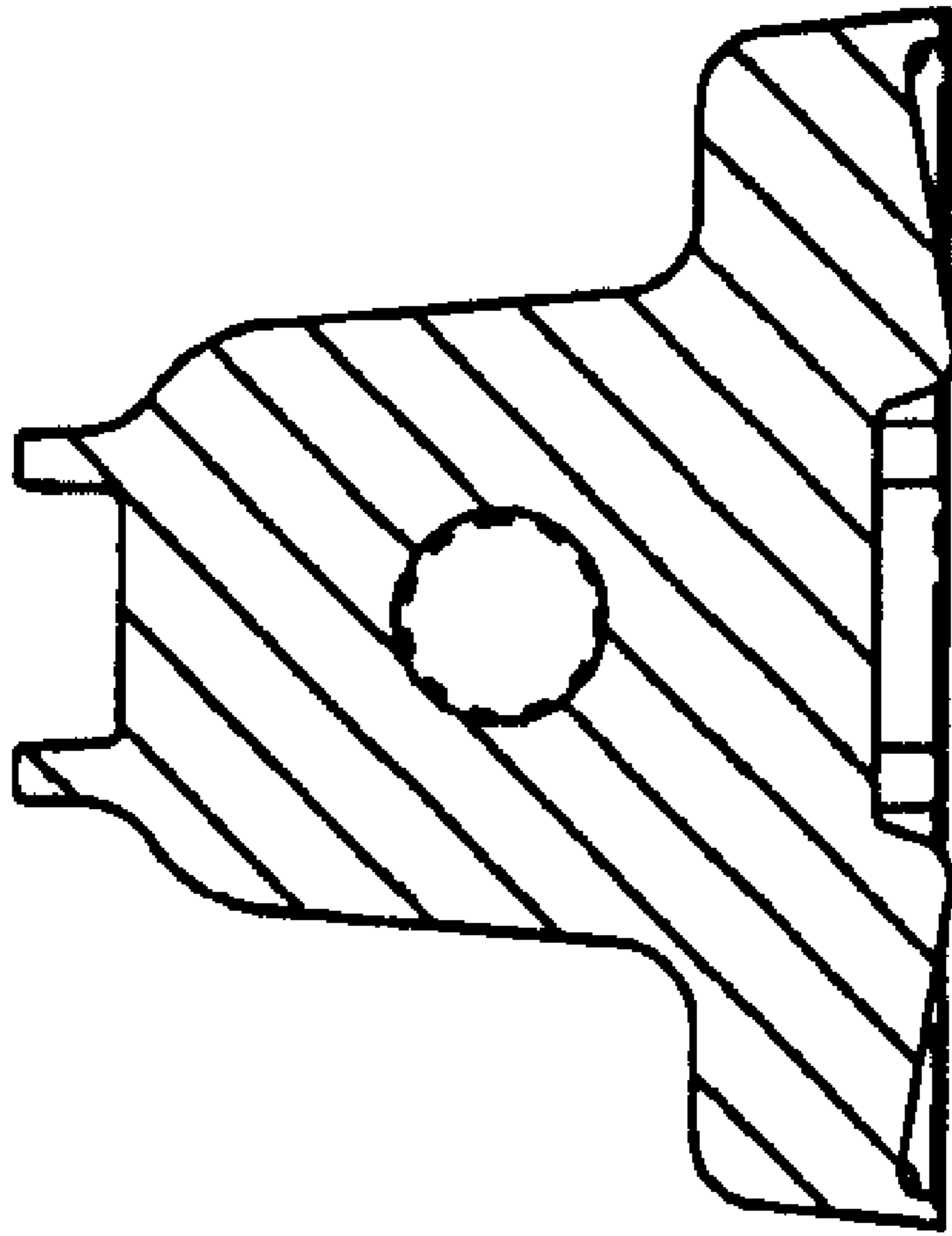


FIG. 9